



US00D665491S

(12) **United States Design Patent**  
**Goel et al.**

(10) **Patent No.:** **US D665,491 S**

(45) **Date of Patent:** **\*\* Aug. 14, 2012**

(54) **DEPOSITION CHAMBER COVER RING**

(75) Inventors: **Ashish Goel**, Bangalore (IN); **Anantha K. Subramani**, San Jose, CA (US)

(73) Assignee: **Applied Materials, Inc.**, Santa Clara, CA (US)

(\*\*) Term: **14 Years**

(21) Appl. No.: **29/411,713**

(22) Filed: **Jan. 25, 2012**

(51) **LOC (9) Cl.** ..... **23-04**

(52) **U.S. Cl.** ..... **D23/386; D15/144**

(58) **Field of Classification Search** ..... D23/385–395, D23/397, 370–373, 365, 351, 354, 399–403, D23/421, 499, 269, 262, 266; D15/144, D15/144.1, 144.2; 454/309, 275–277, 284, 454/287–291, 358–363; 55/502, 506, DIG. 26; 52/302.1, 32.07; 277/602; 248/62–64; 204/298.11, 204/298.02; D9/435, 445, 446, 449, 454, D9/456; D32/54; 250/505.1

See application file for complete search history.

(56) **References Cited**

**U.S. PATENT DOCUMENTS**

3,856,489	A *	12/1974	Vokral	.....	55/DIG. 26
D244,533	S *	5/1977	Eidelberg et al.	.....	D23/269
D286,508	S *	11/1986	Tilden	.....	D9/435
D379,493	S *	5/1997	Woods	.....	D23/269
D381,030	S *	7/1997	Tepman	.....	D15/144
5,690,795	A *	11/1997	Rosenstein et al.	.....	204/298.11
D447,222	S *	8/2001	Mathers	.....	D23/269
6,296,712	B1 *	10/2001	Guo et al.	.....	204/298.11
6,719,886	B2 *	4/2004	Drewery et al.	.....	204/298.18
6,736,946	B2 *	5/2004	Hixson et al.	.....	204/298.11
D491,963	S *	6/2004	Doba	.....	D15/144
6,780,294	B1 *	8/2004	Hixson et al.	.....	204/298.11

6,837,974	B2 *	1/2005	Lawson et al.	.....	204/298.11
6,957,816	B2 *	10/2005	Blease et al.	.....	277/602
D525,127	S *	7/2006	Cogley et al.	.....	D9/456
D553,238	S *	10/2007	Haggkvist	.....	D23/386
7,355,192	B2 *	4/2008	Norman, Jr.	.....	250/505.1
7,497,932	B2 *	3/2009	Dordi et al.	.....	204/298.02
7,520,969	B2 *	4/2009	Miller	.....	204/298.11
D626,208	S *	10/2010	Clements	.....	D23/386
7,964,095	B1 *	6/2011	Graybeal	.....	52/302.1
D649,049	S *	11/2011	Fields	.....	D9/435
D650,053	S *	12/2011	Douglass, III	.....	D23/269

\* cited by examiner

*Primary Examiner* — David Muller

(74) *Attorney, Agent, or Firm* — Patterson & Sheridan, LLP

(57) **CLAIM**

The ornamental design for a deposition chamber cover ring, as shown and described.

**DESCRIPTION**

FIG. 1 is a bottom perspective view of a deposition chamber cover ring.

FIG. 2 is a top perspective view of the deposition chamber cover ring of FIG. 1.

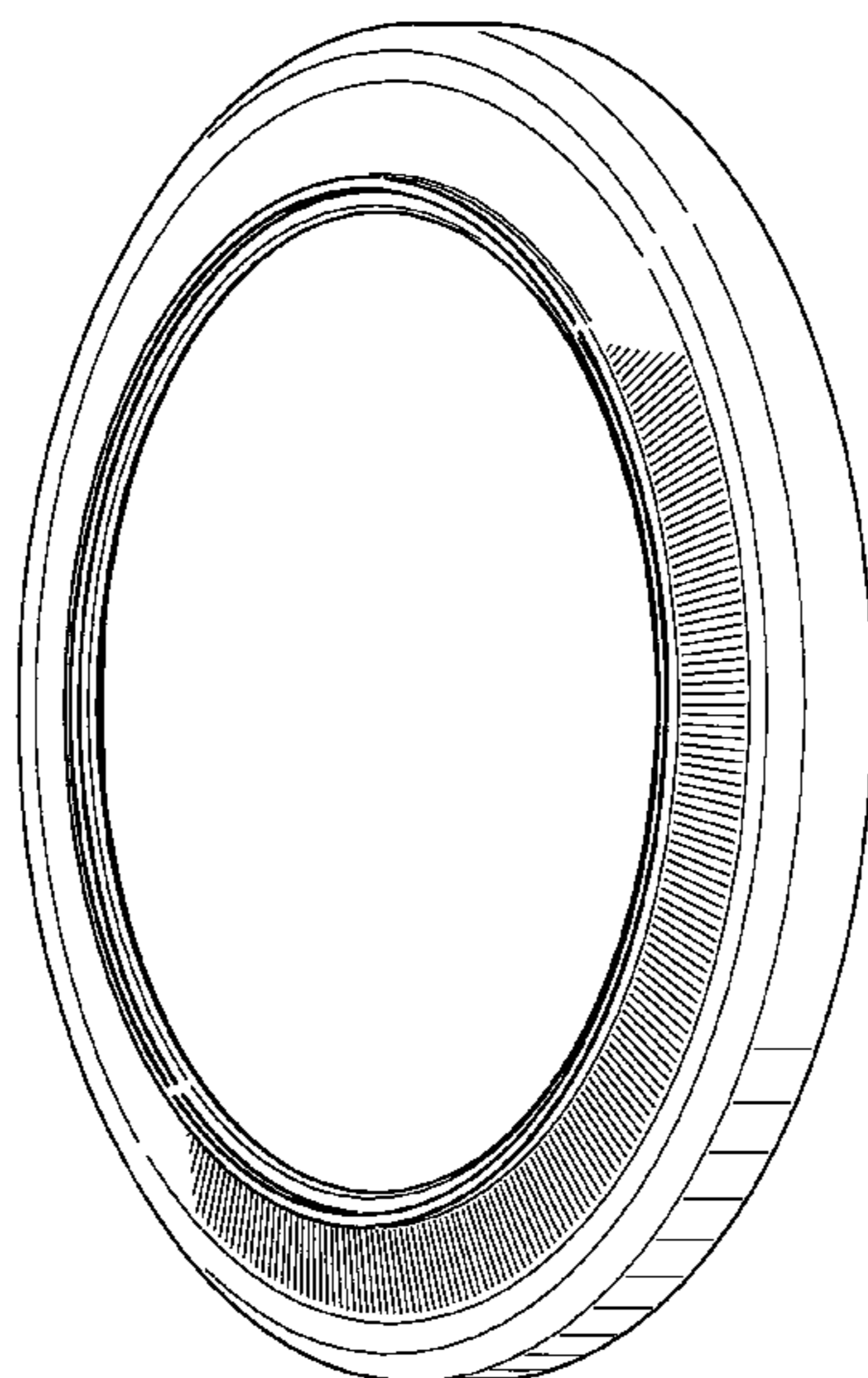
FIG. 3 is a bottom plan view of the deposition chamber cover ring of FIG. 1.

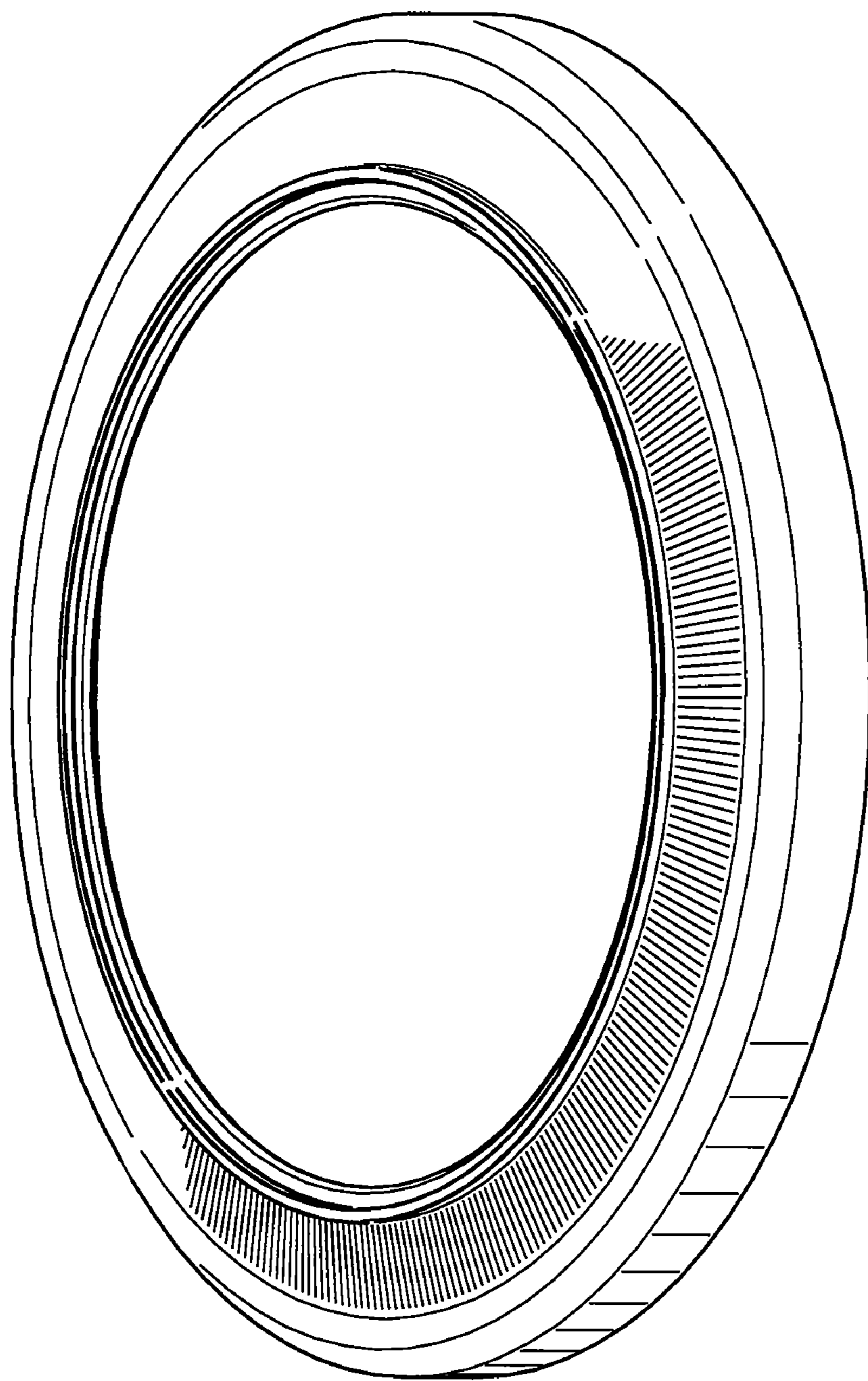
FIG. 4 is a top plan view of the deposition chamber cover ring of FIG. 1.

FIG. 5 is a side elevation view of the deposition chamber cover ring of FIG. 1, the other sides being identical; and, FIG. 6 is an enlarged partial side cross-sectional view of the deposition chamber cover ring of FIG. 1 taken along section line 6-6 of FIG. 5.

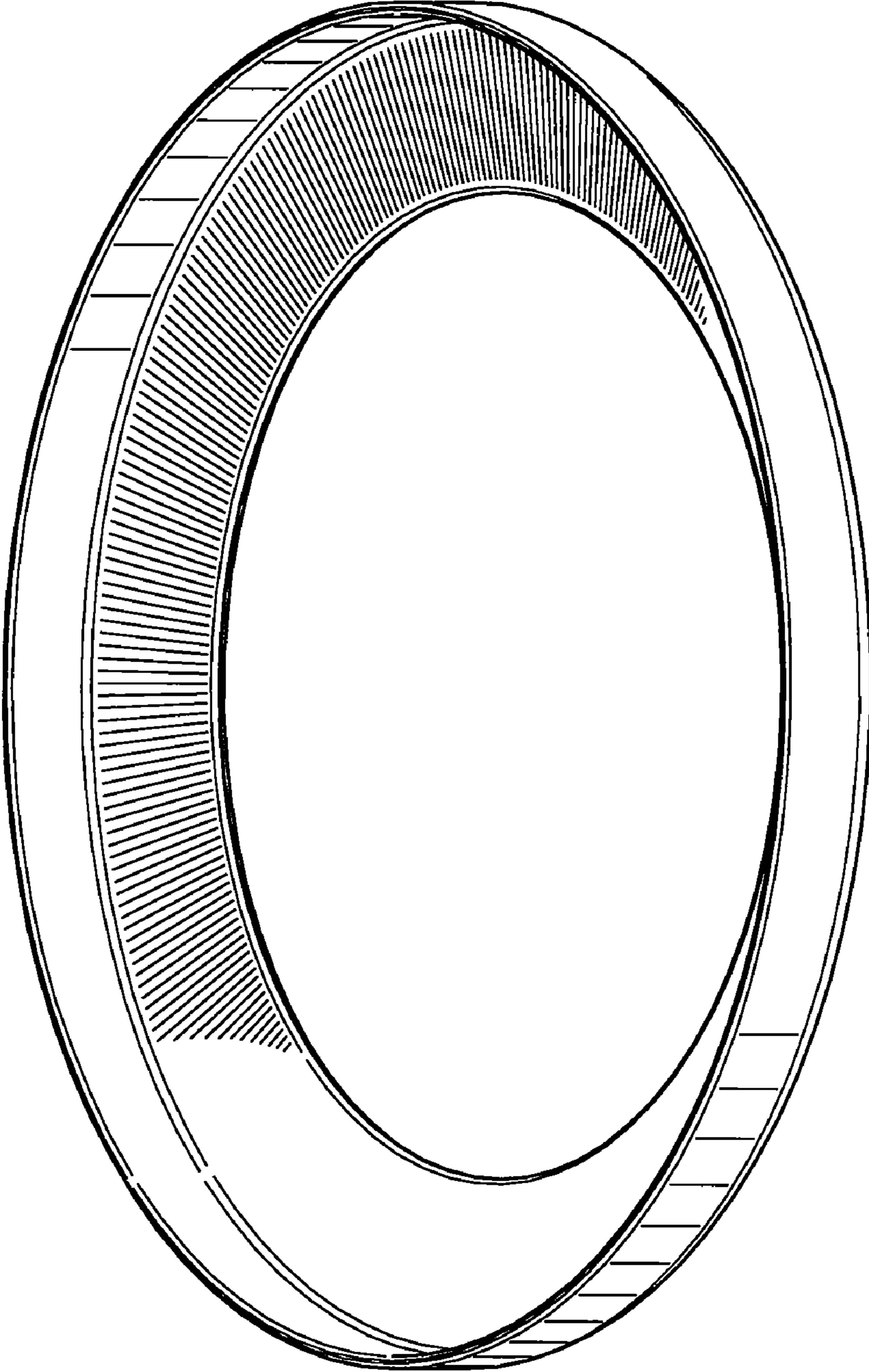
The jagged line on the side of FIG. 6 is utilized to show where the enlarged view is broken away from the remainder of the deposition chamber cover ring of FIG. 5. The jagged line forms no part of the claimed design.

**1 Claim, 5 Drawing Sheets**

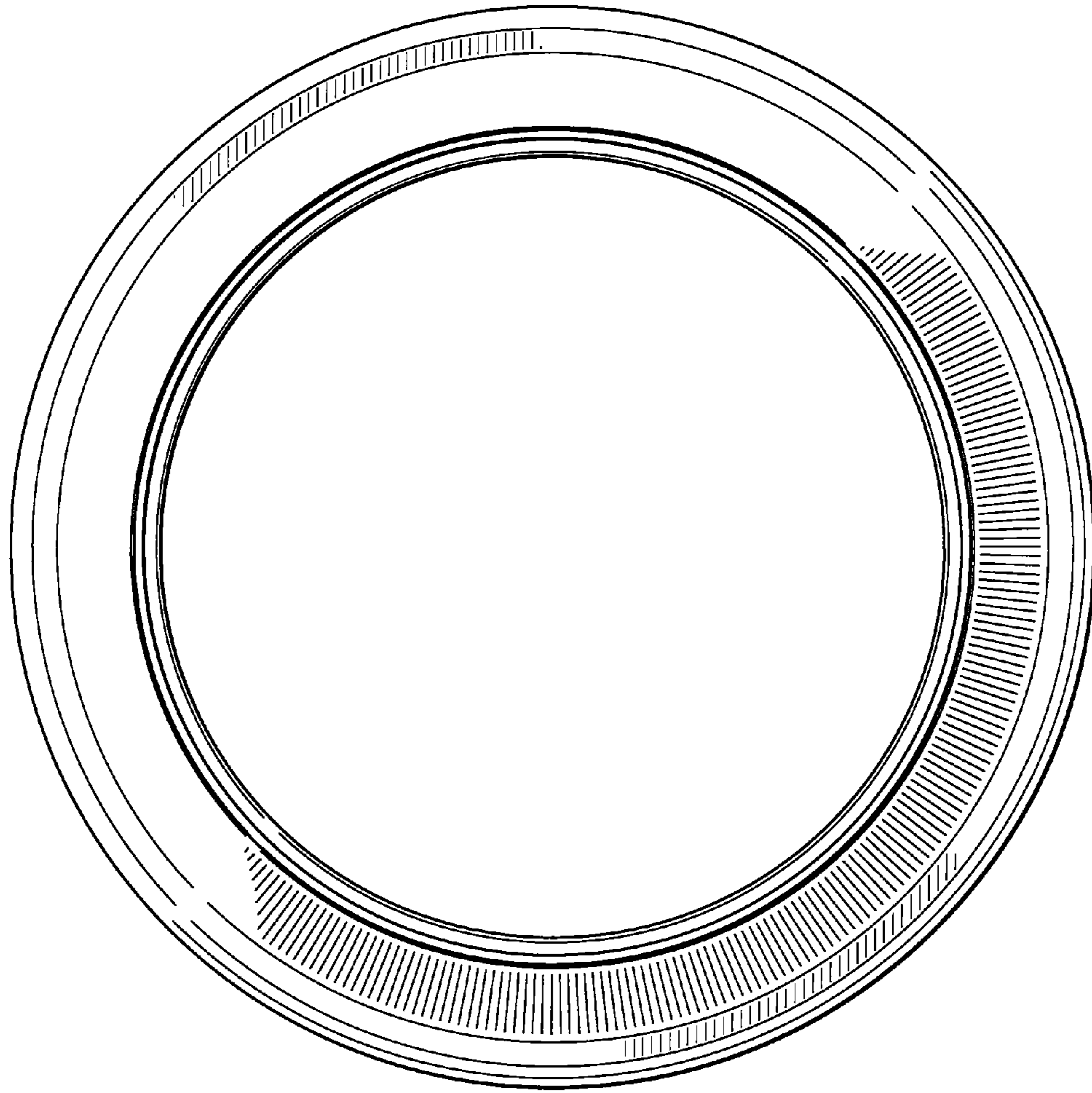




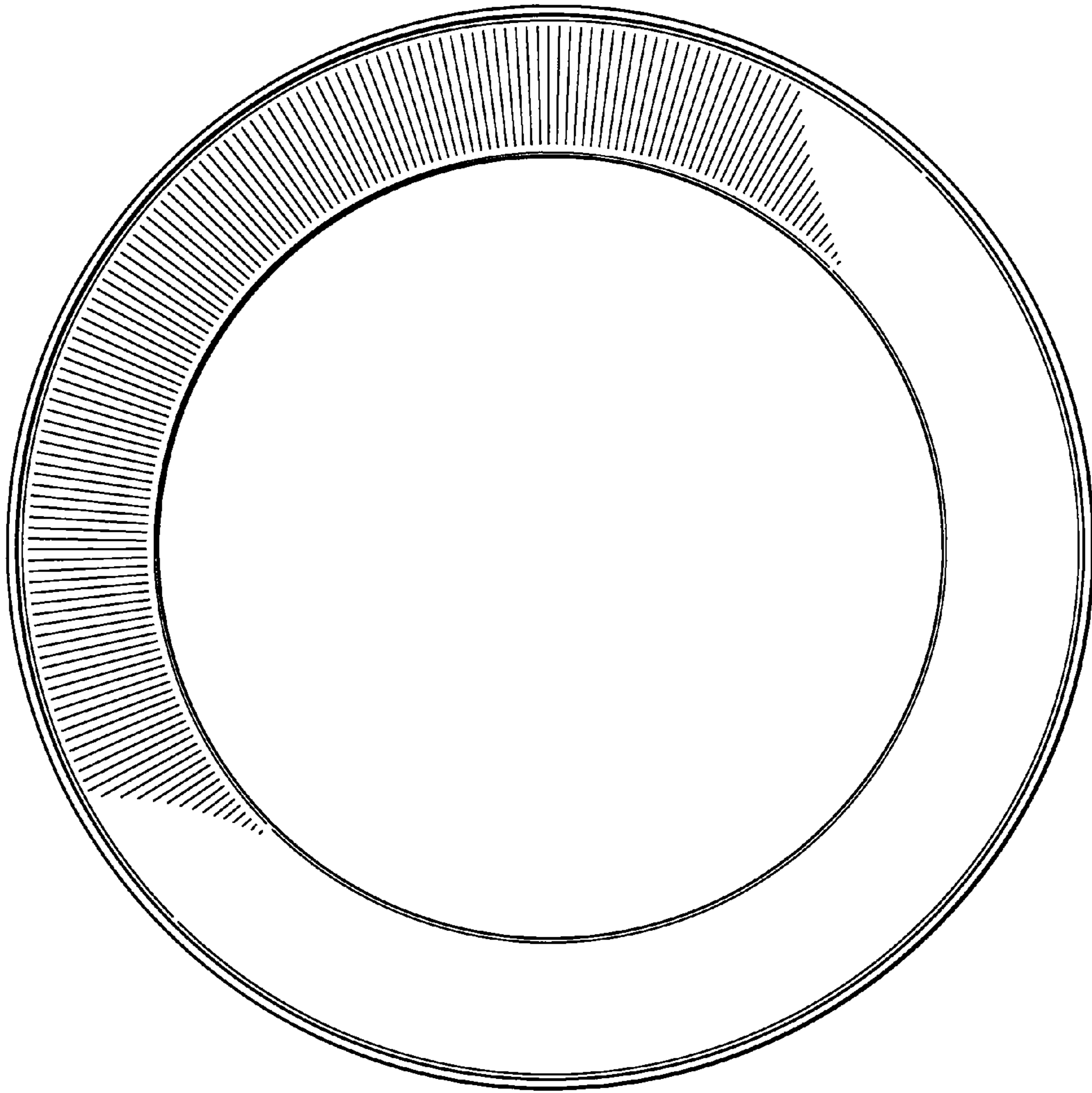
*Fig. 1*



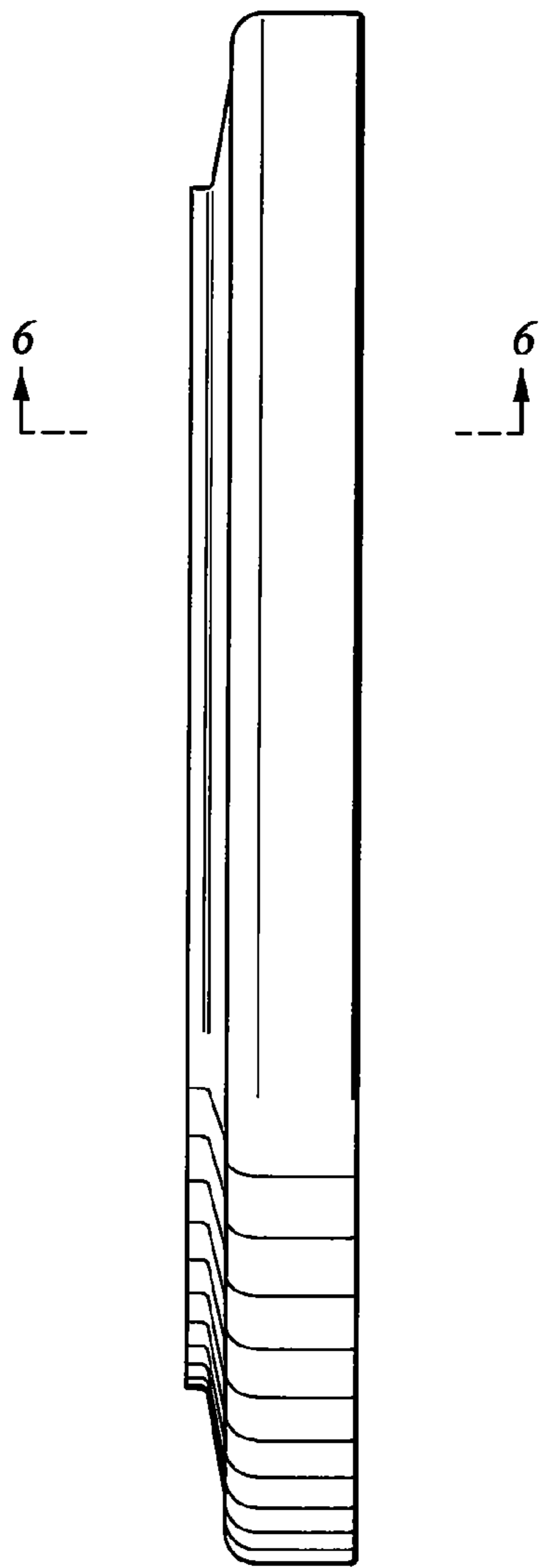
*Fig. 2*



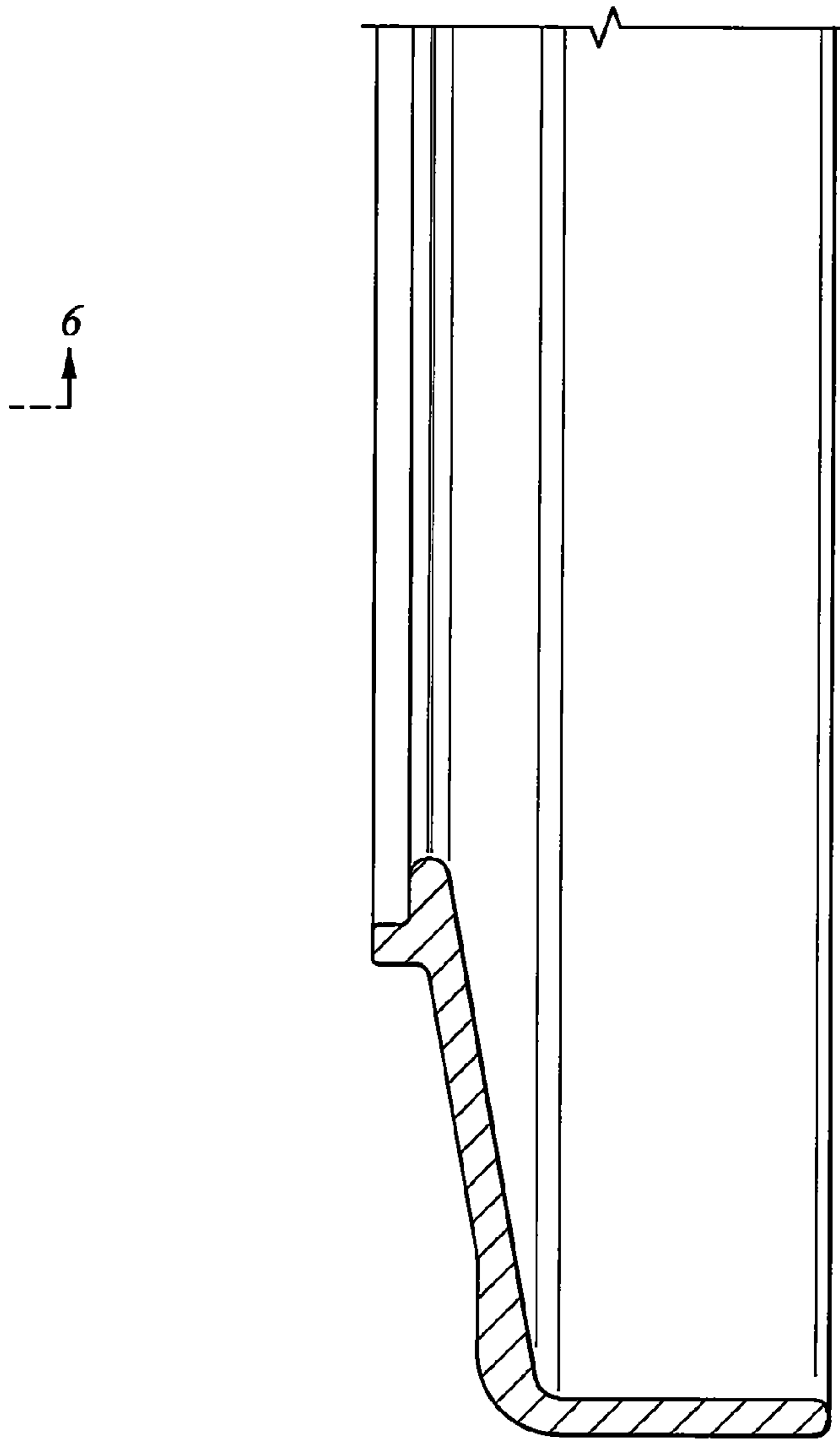
*Fig. 3*



*Fig. 4*



*Fig. 5*



*Fig. 6*