



US00D665487S

(12) **United States Design Patent**
Warzocha

(10) **Patent No.:** **US D665,487 S**

(45) **Date of Patent:** **** Aug. 14, 2012**

(54) **AIR FRESHENER**

(76) Inventor: **Michael Warzocha**, Las Vegas, NV (US)

(**) Term: **14 Years**

(21) Appl. No.: **29/384,991**

(22) Filed: **Feb. 7, 2011**

(51) **LOC (9) Cl.** **28-99**

(52) **U.S. Cl.** **D23/367**

(58) **Field of Classification Search** D23/355-369;
D28/5, 6; 261/DIG. 17, DIG. 42, DIG. 65,
261/DIG. 88, DIG. 89; 392/386, 390-395;
239/34, 35, 44-47, 50, 53, 56, 60, 145, 326
See application file for complete search history.

(56) **References Cited**

U.S. PATENT DOCUMENTS

2,283,028	A *	5/1942	Bailey	239/45
2,734,769	A *	2/1956	Holz	239/57
2,742,342	A *	4/1956	Dew et al.	422/37
3,065,915	A *	11/1962	Samann	239/35
D349,569	S *	8/1994	El-Assir	D23/367
D365,391	S *	12/1995	King	D23/367
D372,306	S *	7/1996	Smith	D23/367
5,544,812	A *	8/1996	Torres	239/55
D382,952	S *	8/1997	Pearson	D23/367
D385,345	S *	10/1997	El-Assir	D23/367
D437,404	S *	2/2001	Wu	D23/367
D439,321	S *	3/2001	Matthew et al.	D23/366
D476,726	S *	7/2003	Rosenberg	D23/366
7,188,780	B2 *	3/2007	Martens, III	239/35
D578,199	S *	10/2008	Fabrega et al.	D23/366
7,778,531	B2 *	8/2010	Cheung	392/386
2006/0000922	A1 *	1/2006	Martens	239/60

2008/0105760	A1 *	5/2008	Sheffield et al.	239/56
2008/0179424	A1 *	7/2008	Cheung	239/60
2010/0230509	A1 *	9/2010	Beal	239/53

* cited by examiner

Primary Examiner — Sandra Snapp

(74) *Attorney, Agent, or Firm* — Gold & Rizvi, P.A.; H. John Rizvi; Glenn E. Gold

(57) **CLAIM**

I claim the ornamental design for an air freshener, as shown and described.

DESCRIPTION

FIG. 1 is a perspective view of an air freshener showing my new design;

FIG. 2 is a top view thereof.

FIG. 3 is front side view.

FIG. 4 is a left side view.

FIG. 5 is a back side view thereof.

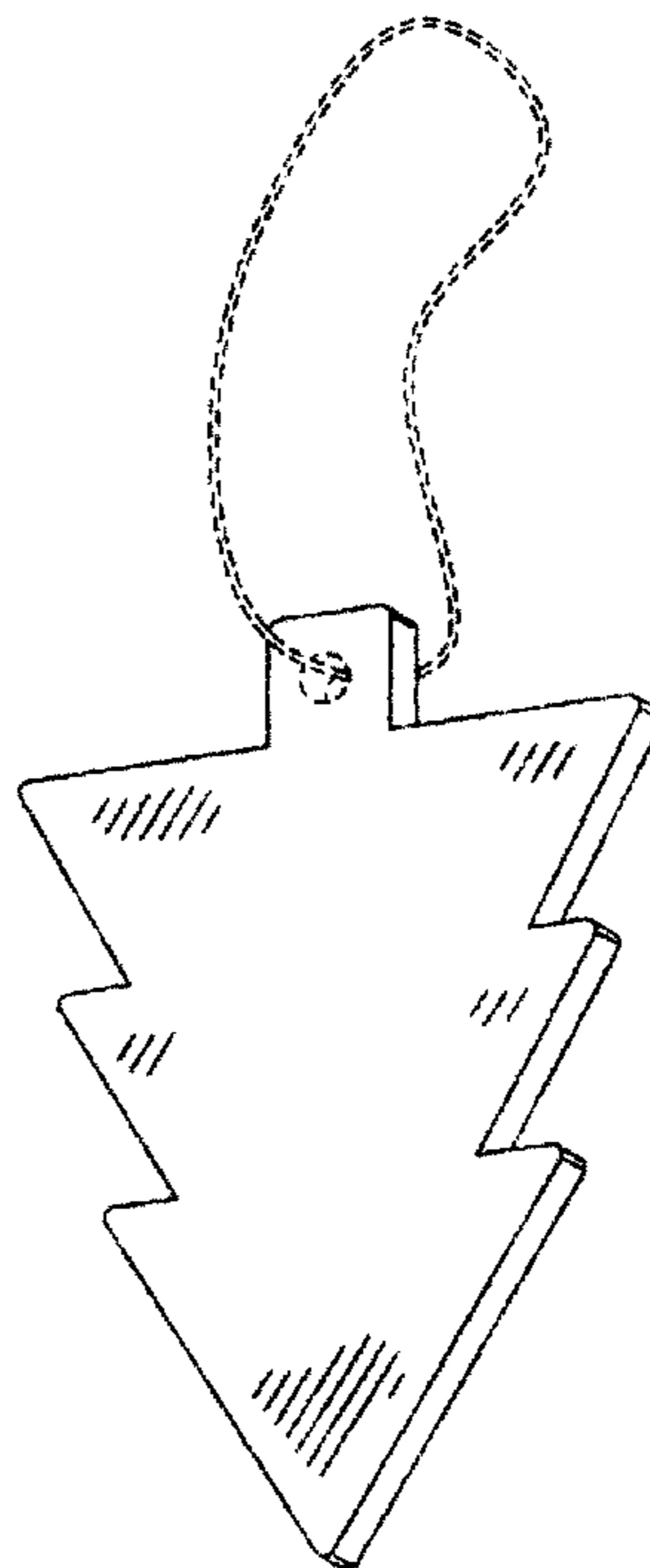
FIG. 6 is a right side view thereof.

FIG. 7 is a bottom plan view.

FIG. 8 is another perspective view of a second embodiment of FIG. 1; the only difference being the position of the hole from which the air freshener hangs, it being understood that all other surfaces are the same as those of the first embodiment; and,

FIG. 9 is another perspective view of a third embodiment of FIG. 1 the only difference being the position of the hole from which the air freshener hangs, it being understood that all other surfaces are the same as those of the first embodiment. The broken lines in the drawings are for the purpose of illustrating portions of the air freshener and form no part of the claimed design.

1 Claim, 3 Drawing Sheets



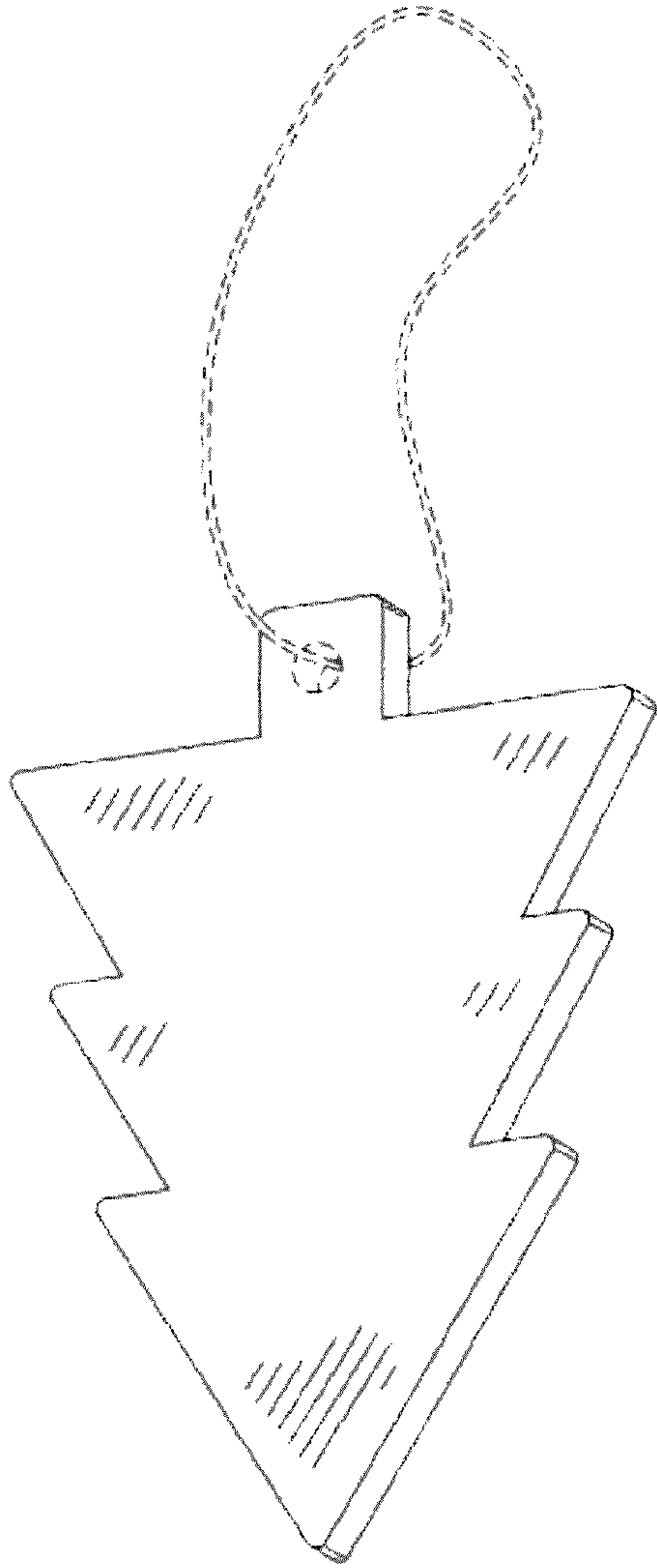


FIG. 1

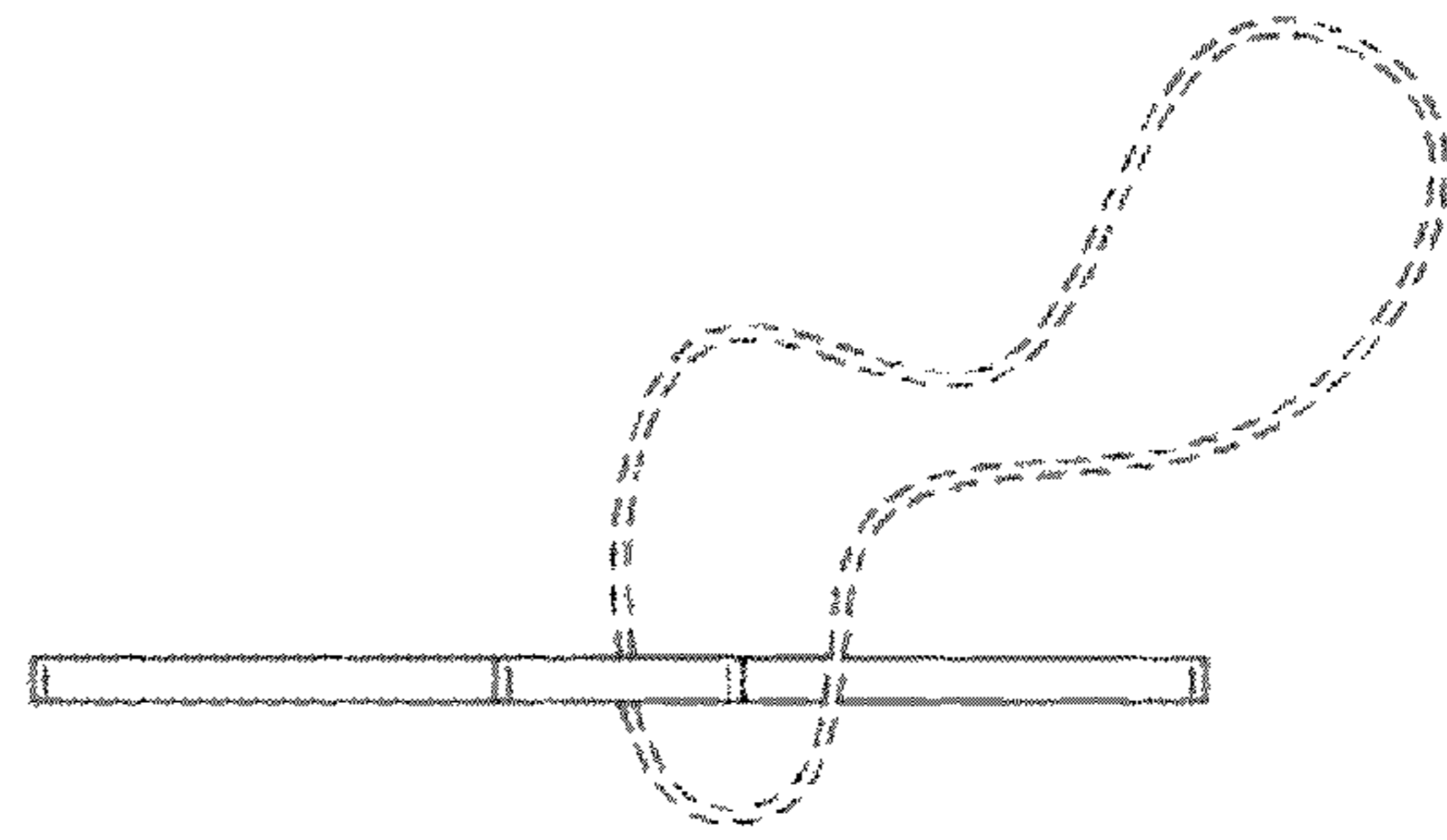


FIG. 2

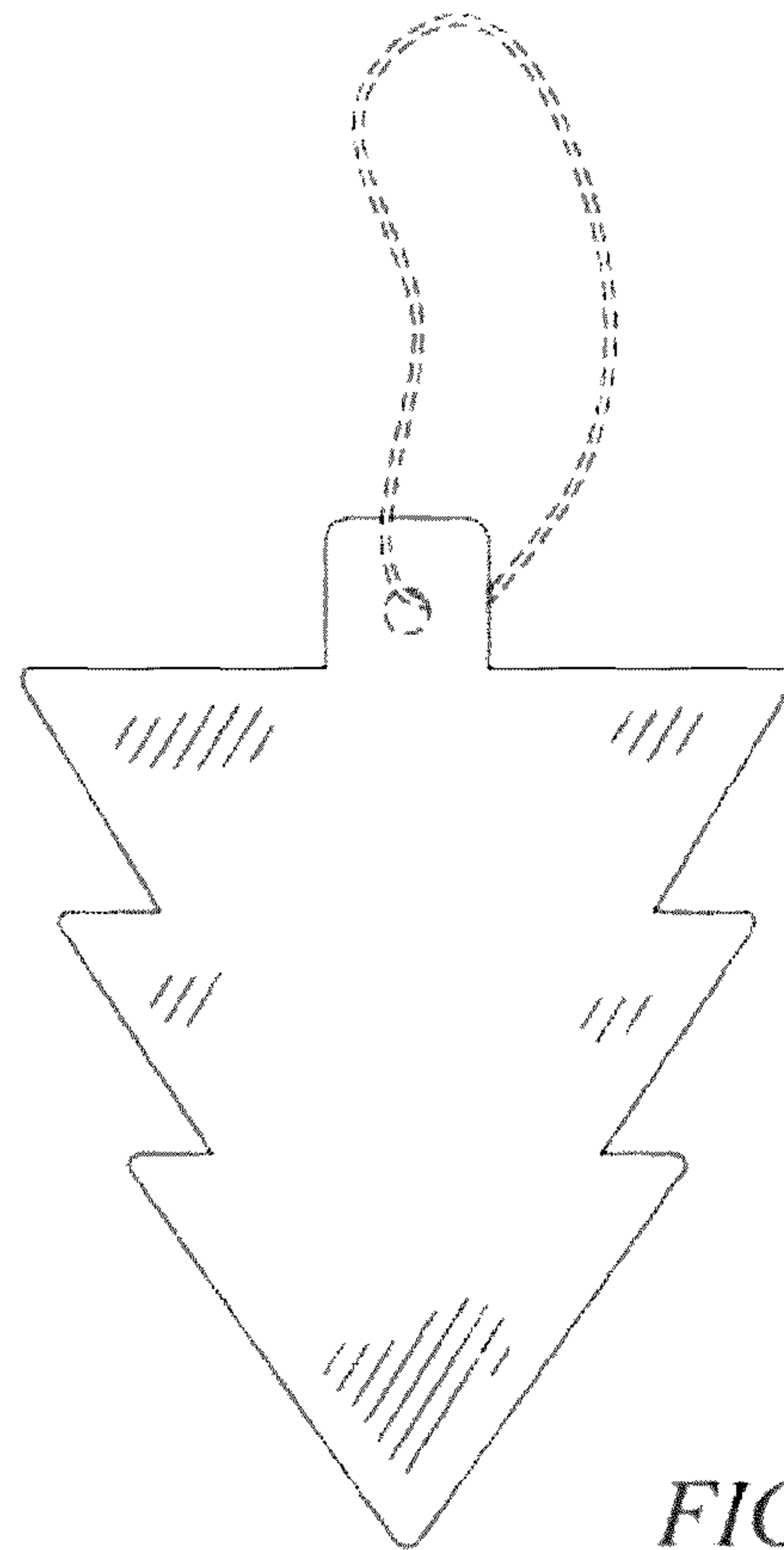


FIG. 3



FIG. 4

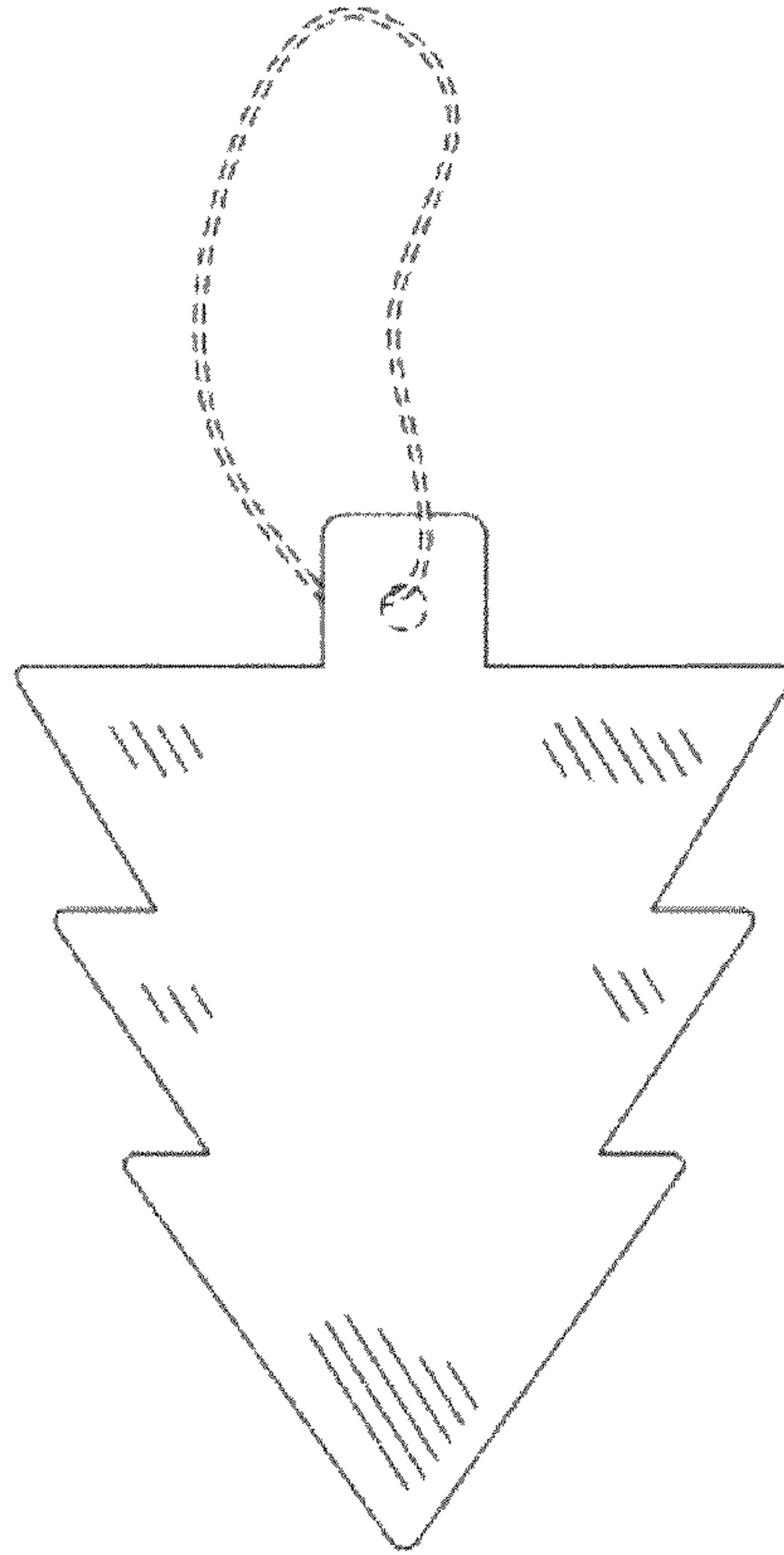


FIG. 5

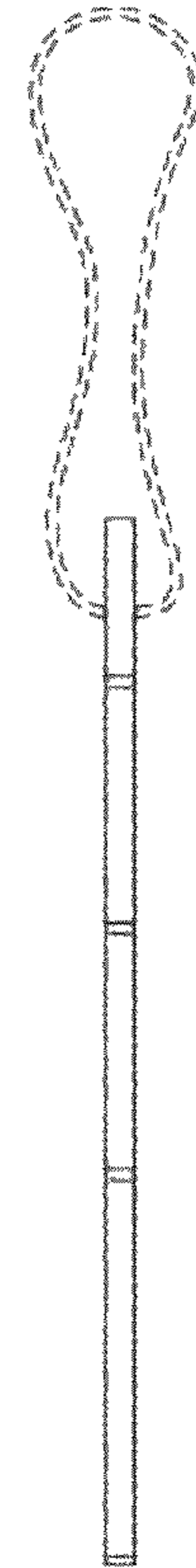


FIG. 6

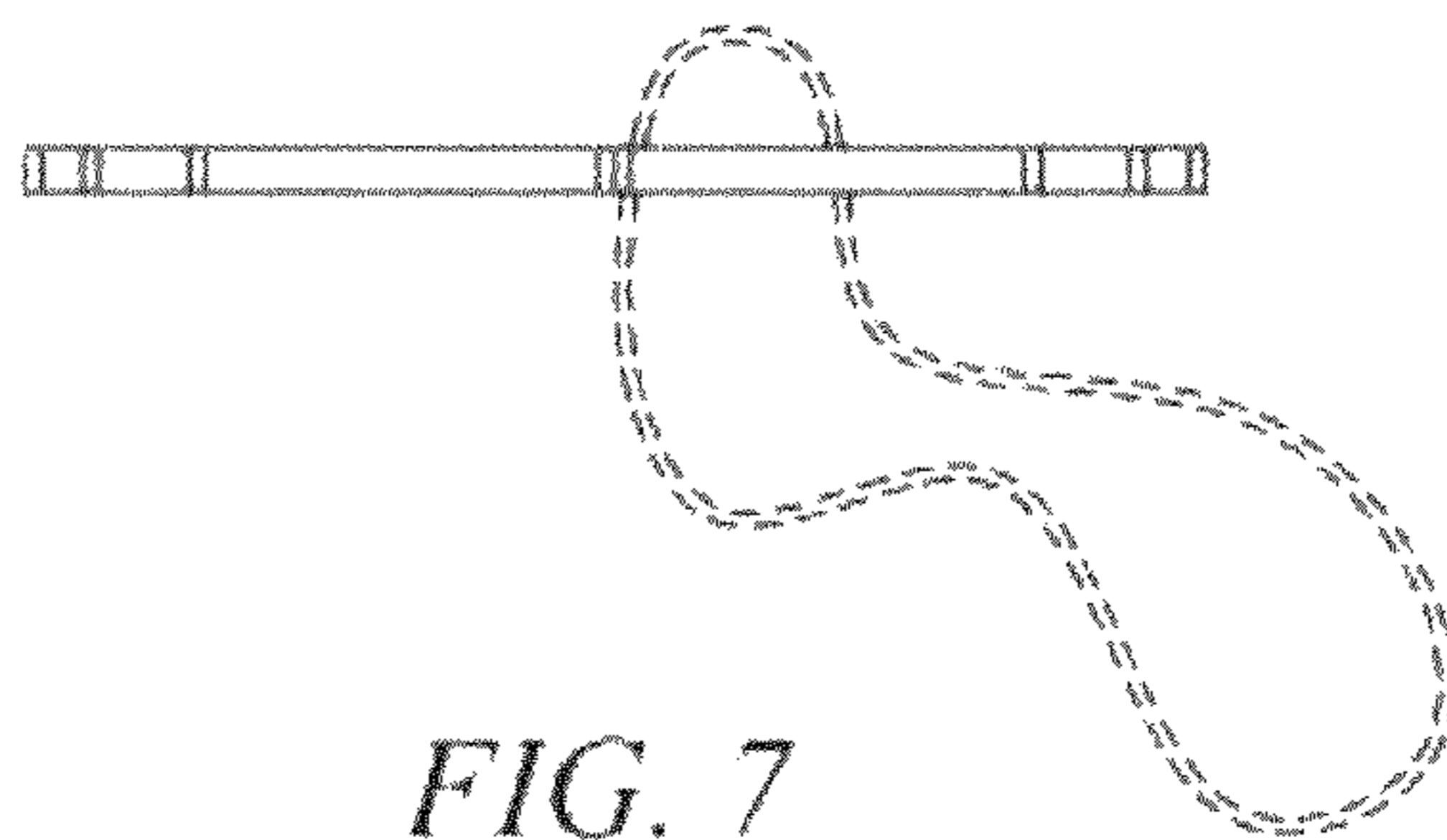


FIG. 7



FIG. 8

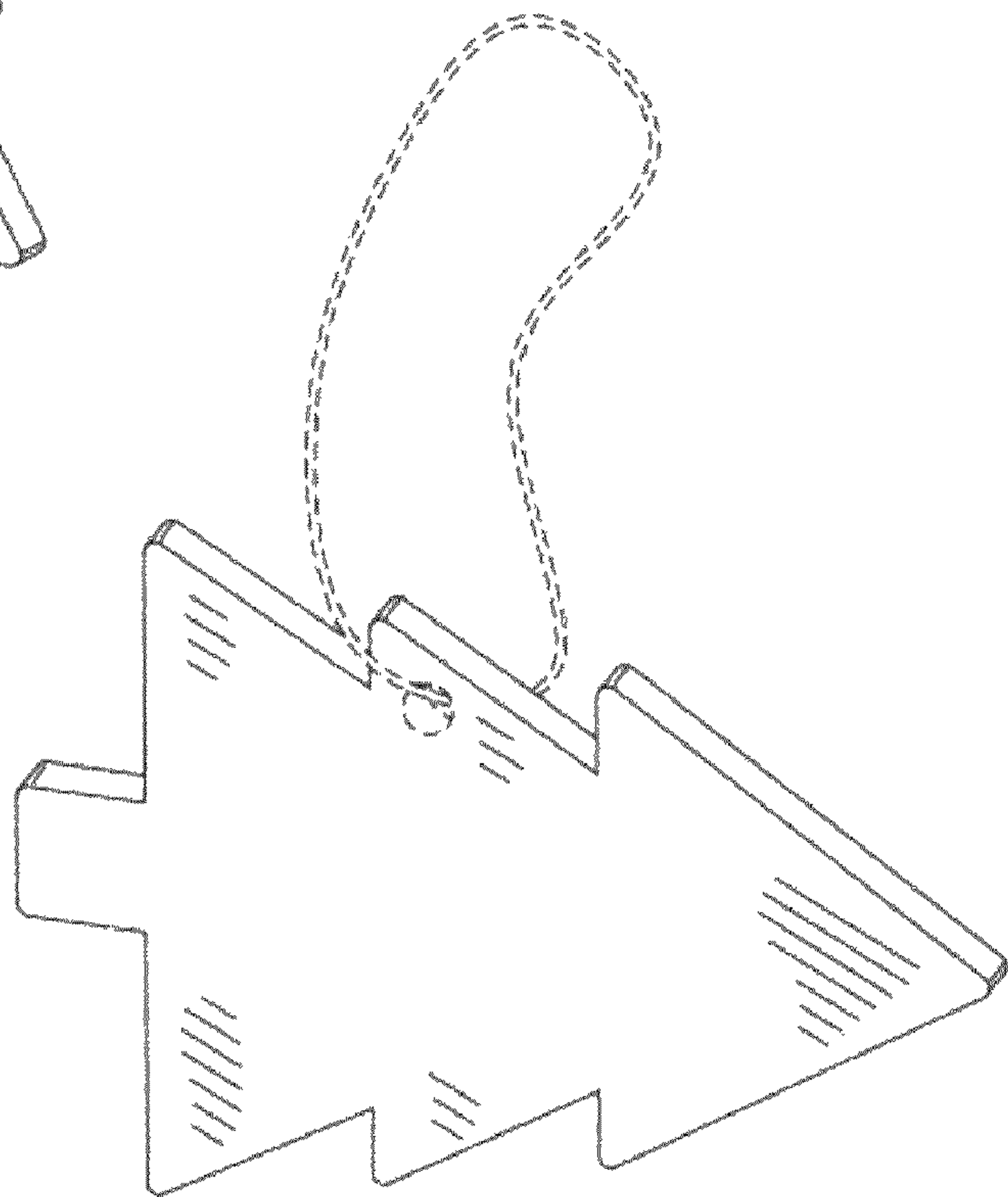


FIG. 9



US00D665487C1

(12) **EX PARTE REEXAMINATION CERTIFICATE** (10442nd)
United States Patent
Warzocha

(10) **Number:** **US D665,487 C1**
(45) **Certificate Issued:** **Dec. 17, 2014**

(54) **AIR FRESHENER**

(76) **Inventor:** **Michael Warzocha**, Las Vegas, NV (US)

Reexamination Request:

No. 90/012,769, Jan. 22, 2013

Reexamination Certificate for:

Patent No.: **Des. 665,487**
Issued: **Aug. 14, 2012**
Appl. No.: **29/384,991**
Filed: **Feb. 7, 2011**

(51) **LOC (10) Cl.** **28-99**

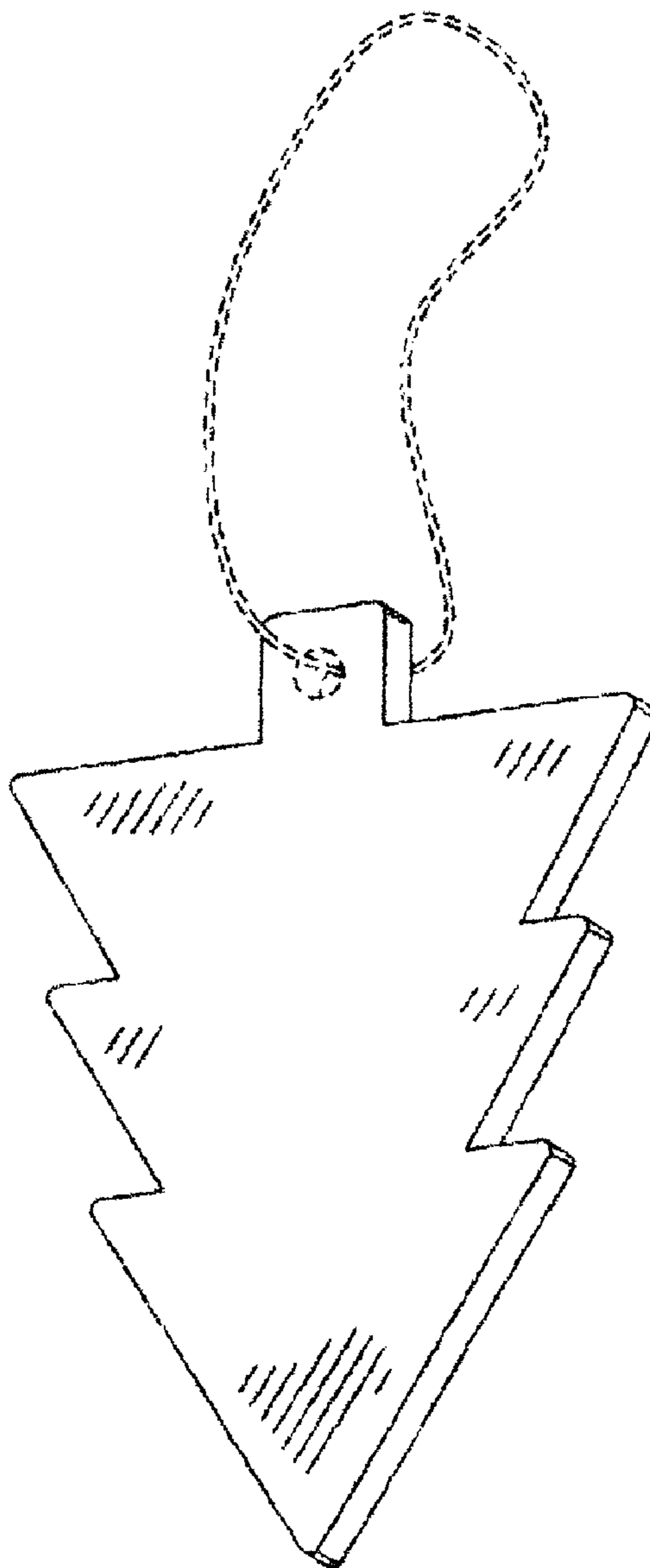
(52) **U.S. Cl.**
USPC **D23/367**

(58) **Field of Classification Search**

USPC D23/355-369; D28/5-6; 261/DIG. 17,
261/DIG. 42, DIG. 65, DIG. 88, DIG. 89;
392/386, 390-395; 239/34-35, 44-47,
239/50, 53, 56, 60, 145, 326; D11/33, 64,
D11/84, 115, 118, 139, 151; D9/617, 659
See application file for complete search history.

(56) **References Cited**

To view the complete listing of prior art documents cited during the proceeding for Reexamination Control Number 90/012,769, please refer to the USPTO's public Patent Application Information Retrieval (PAIR) system under the Display References tab.
Primary Examiner — Eric Goodman



**EX PARTE
REEXAMINATION CERTIFICATE
ISSUED UNDER 35 U.S.C. 307**

THE PATENT IS HEREBY AMENDED AS
INDICATED BELOW.

5

AS A RESULT OF REEXAMINATION, IT HAS BEEN
DETERMINED THAT:

10

The single design claim is cancelled.

* * * * *