



US00D665481S

(12) **United States Design Patent**
Bloink et al.

(10) **Patent No.:** **US D665,481 S**

(45) **Date of Patent:** **** Aug. 14, 2012**

(54) **FLUID FLOW DEFLECTOR**

(75) Inventors: **Tommy Bloink**, San Marcos, CA (US);
Gerhardus J. Stoltz, Temecula, CA
(US)

(73) Assignee: **Zodiac Pool Systems, Inc.**, Vista, CA
(US)

(**) Term: **14 Years**

(21) Appl. No.: **29/374,046**

(22) Filed: **Jun. 27, 2011**

Related U.S. Application Data

(63) Continuation-in-part of application No. 13/080,801,
filed on Apr. 6, 2011.

(51) **LOC (9) Cl.** **23-01**

(52) **U.S. Cl.** **D23/259**

(58) **Field of Classification Search** D23/259-262;
134/18; 285/241-253; 411/372, 910; 239/459,
239/602

See application file for complete search history.

(56) **References Cited**

U.S. PATENT DOCUMENTS

3,776,464 A * 12/1973 Proffit 239/229
4,834,423 A * 5/1989 DeLand 285/39
5,931,510 A * 8/1999 Mathew et al. 285/148.21

5,992,451 A * 11/1999 Chang 137/521
6,199,916 B1 * 3/2001 Klinger et al. 285/288.1
D602,128 S * 10/2009 Williams et al. D23/262
D615,165 S * 5/2010 McAlpine et al. D23/262
D639,398 S * 6/2011 Wilhelm D23/262
D642,244 S * 7/2011 Wilhelm D23/262
2008/0073911 A1 * 3/2008 Wells et al. 285/369

* cited by examiner

Primary Examiner — Eric Goodman

(74) *Attorney, Agent, or Firm* — Dean W. Russell; Michael
A. Bertelson; Kilpatrick Townsend & Stockton LLP

(57) **CLAIM**

The ornamental design for a fluid flow deflector, as shown and
described.

DESCRIPTION

FIG. 1 is a perspective view of a fluid flow deflector, showing
our new design.

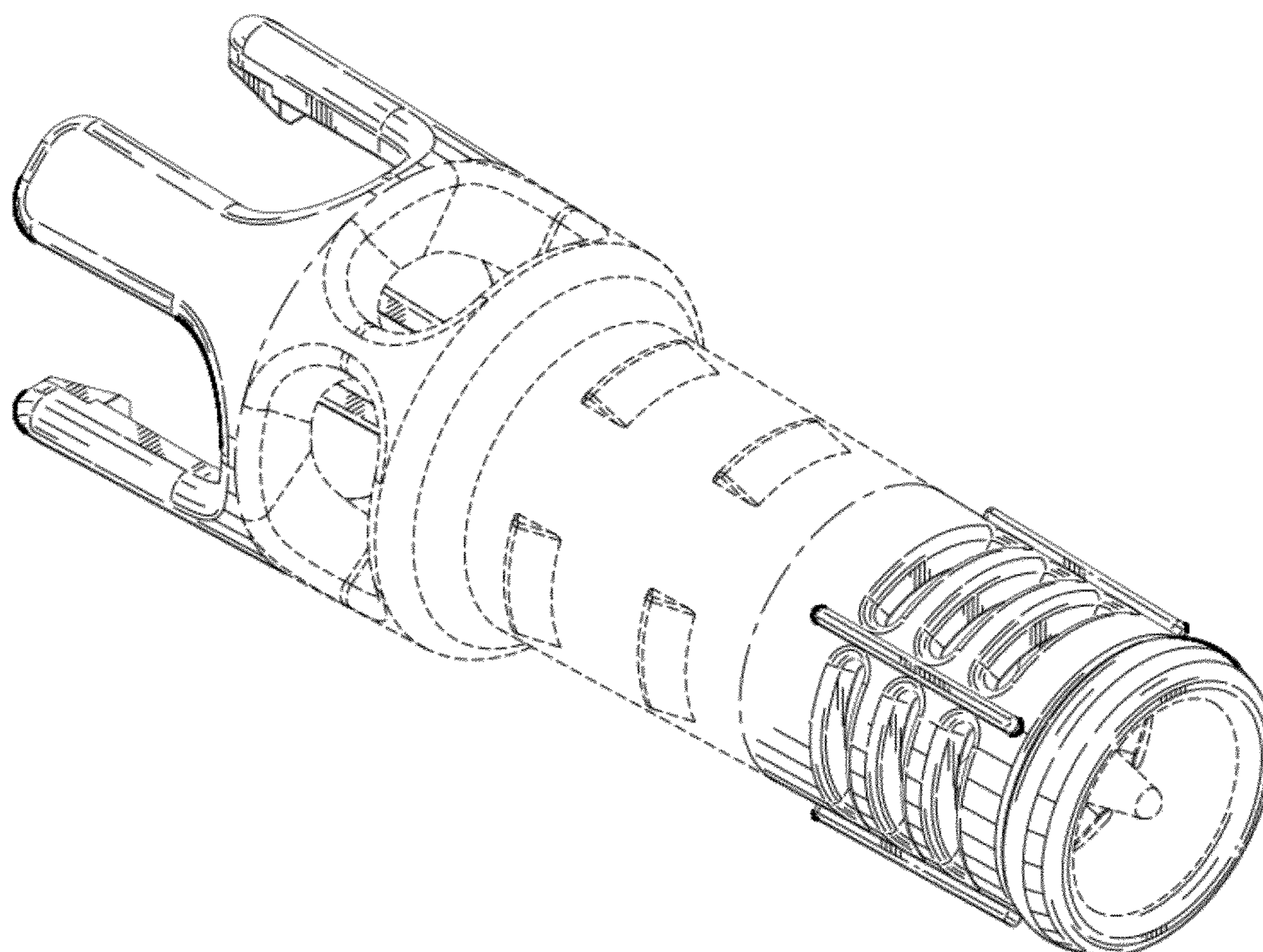
FIG. 2 is a side elevation view of the fluid flow deflector of
FIG. 1.

FIG. 3 is another side view of the fluid flow deflector of FIG.
1.

FIG. 4 is an end view of the fluid flow deflector of FIG. 1; and,
FIG. 5 is another end view of the fluid flow deflector of FIG.
1.

In the drawings, the broken lines form no part of the claimed
design.

1 Claim, 4 Drawing Sheets



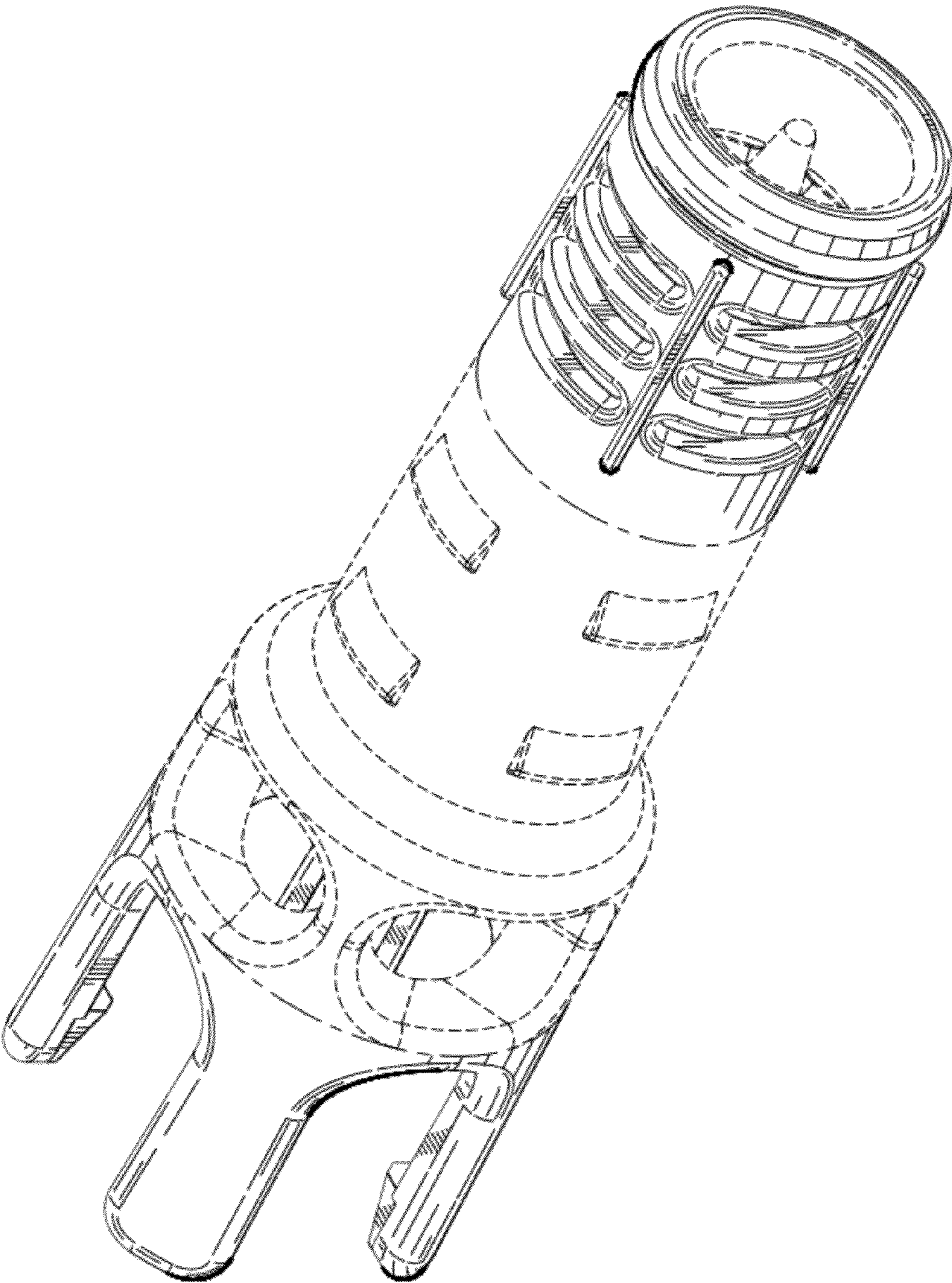


FIG. 1

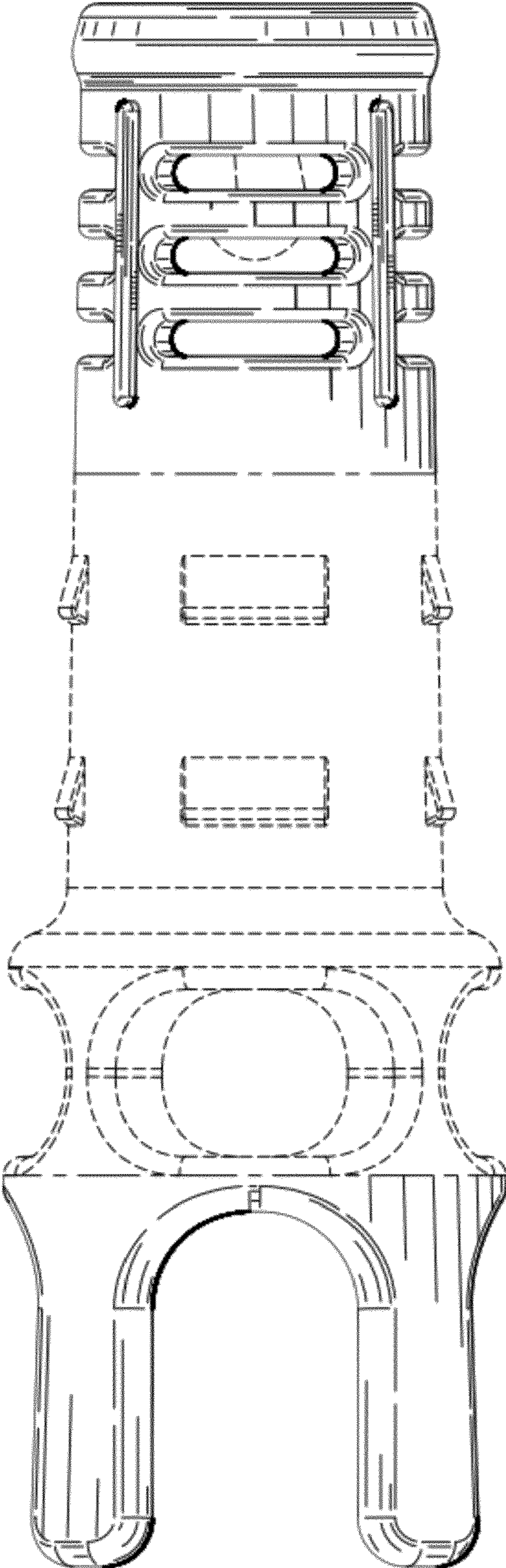


FIG. 2

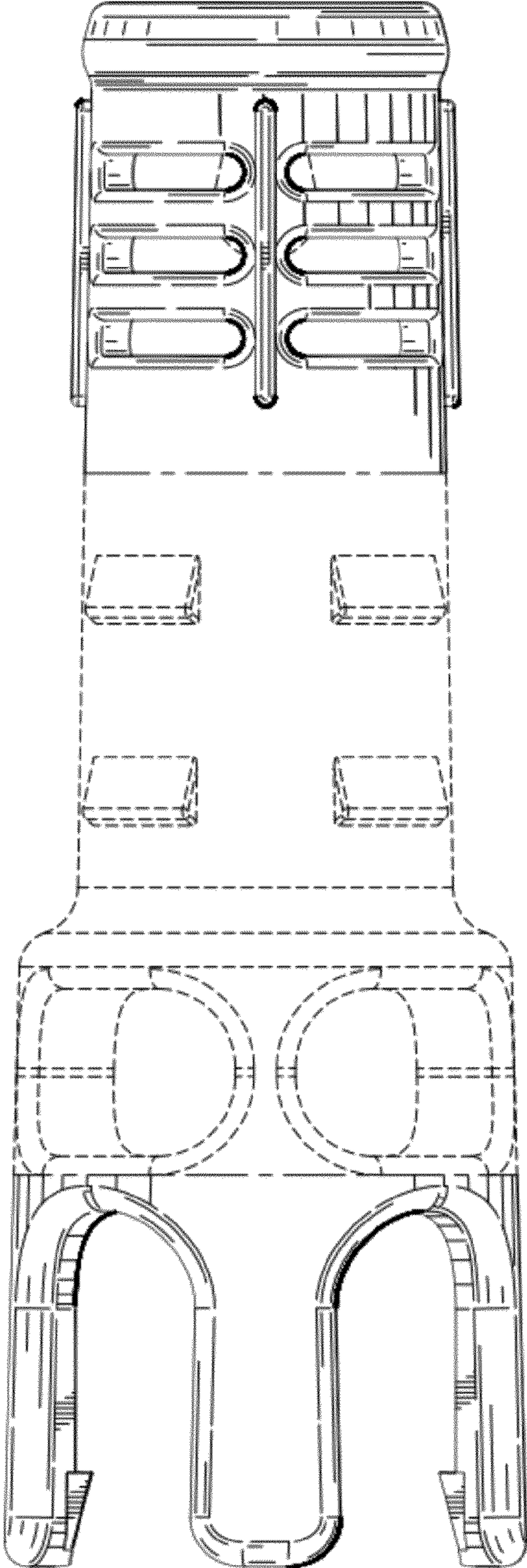


FIG. 3

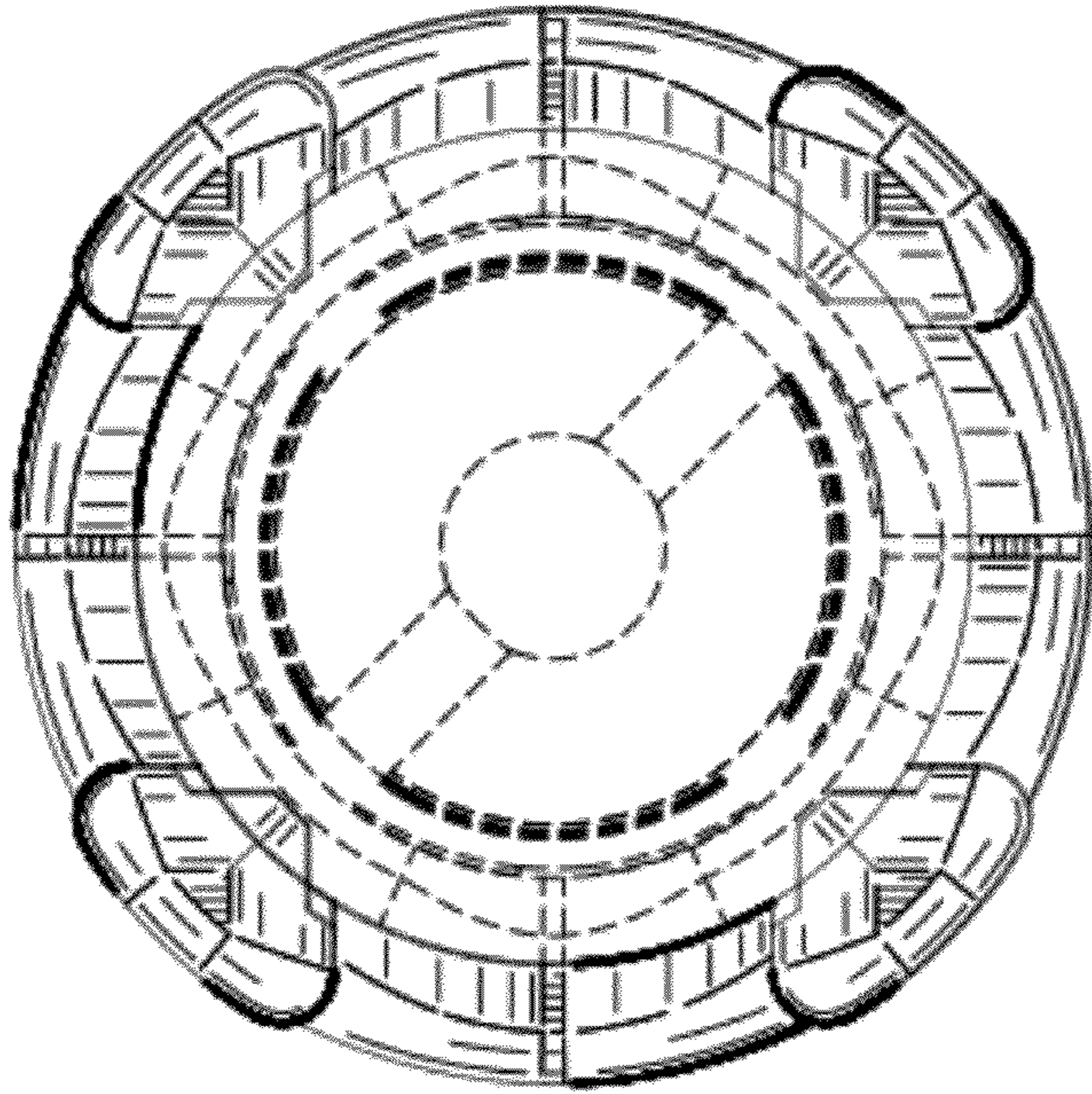


FIG. 4

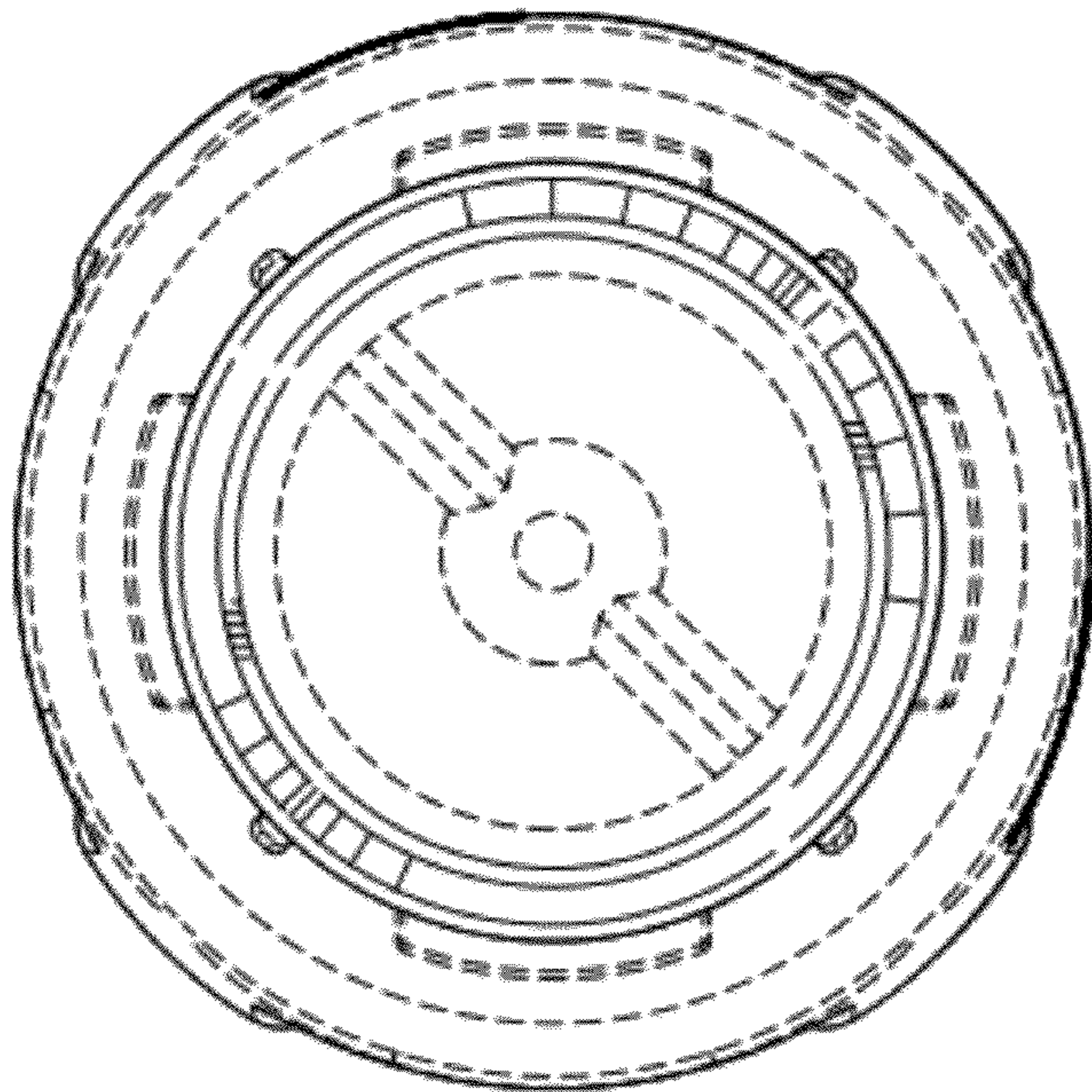


FIG. 5