



US00D665480S

(12) **United States Design Patent**  
**Kwok**

(10) **Patent No.:** **US D665,480 S**

(45) **Date of Patent:** **\*\* Aug. 14, 2012**

(54) **FAUCET HANDLE**

(75) Inventor: **Celine Kwok**, Indianapolis, IN (US)

(73) Assignee: **Masco Corporation of Indiana**,  
Indianapolis, IN (US)

(\*\*) Term: **14 Years**

(21) Appl. No.: **29/406,661**

(22) Filed: **Nov. 17, 2011**

(51) **LOC (9) Cl.** ..... **23-02**

(52) **U.S. Cl.** ..... **D23/252**

(58) **Field of Classification Search** ..... D23/238-242,  
D23/250-252; 4/675-678; 137/801  
See application file for complete search history.

(56) **References Cited**

U.S. PATENT DOCUMENTS

D524,918 S \* 7/2006 Barry ..... D23/249  
D526,051 S \* 8/2006 Fritz ..... D23/252

D648,834 S \* 11/2011 Gilbert ..... D23/254  
D651,286 S \* 12/2011 Kwok ..... D23/252  
D652,118 S \* 1/2012 Corpuz, Jr. .... D23/252

\* cited by examiner

*Primary Examiner* — Robert Delehanty

(74) *Attorney, Agent, or Firm* — Edgar A. Zarins; Nirav D. Parikh; Lora J. Graentzdoerffer

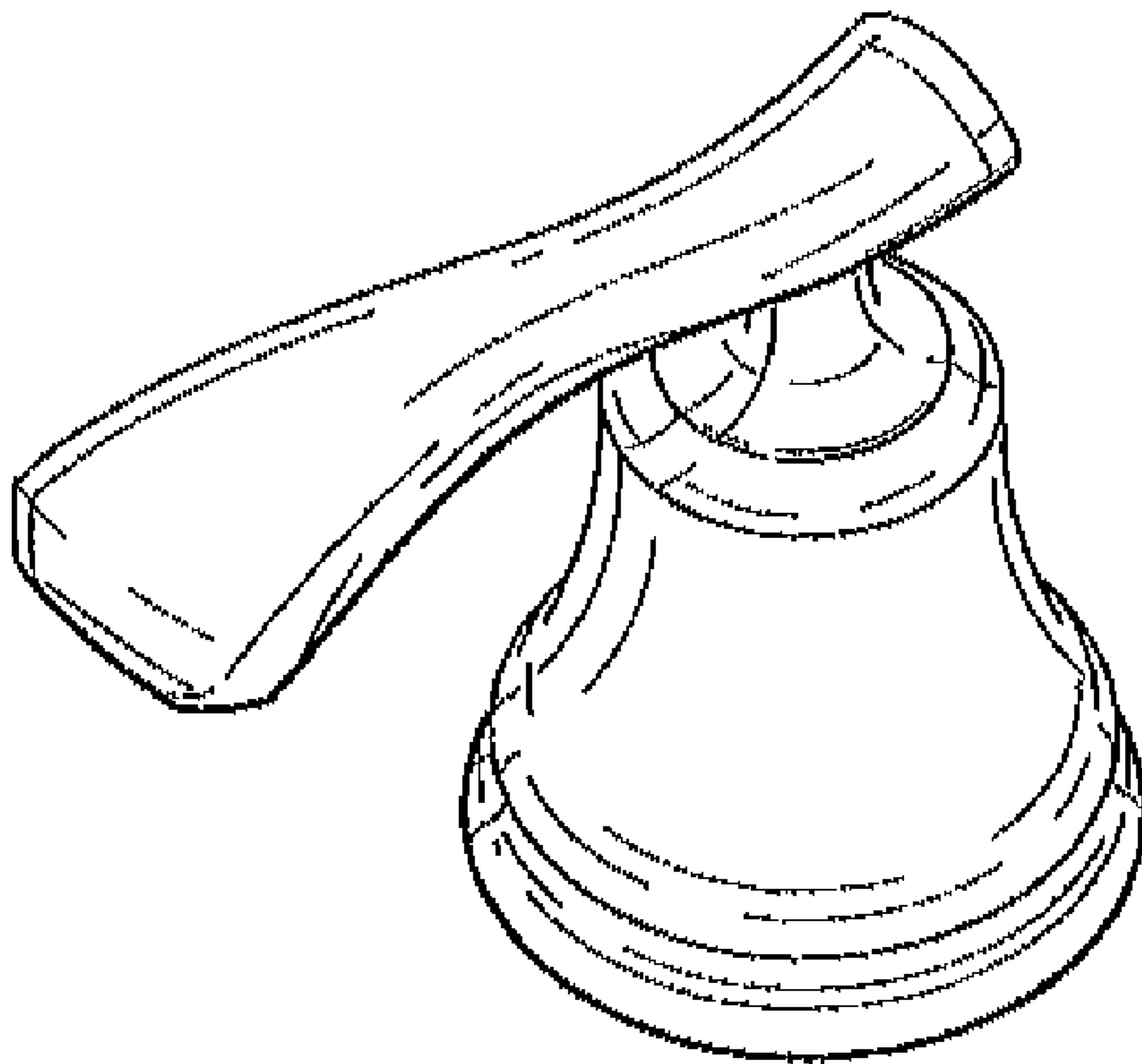
(57) **CLAIM**

The ornamental design for a faucet handle, as shown and described.

**DESCRIPTION**

FIG. 1 is a perspective view of a faucet handle showing my new design;  
FIG. 2 is a first side view thereof, the opposite side being a mirror image of the side shown;  
FIG. 3 is a first end view thereof;  
FIG. 4 is a second end view thereof;  
FIG. 5 is a top plan view thereof; and,  
FIG. 6 is a bottom view thereof.

**1 Claim, 1 Drawing Sheet**



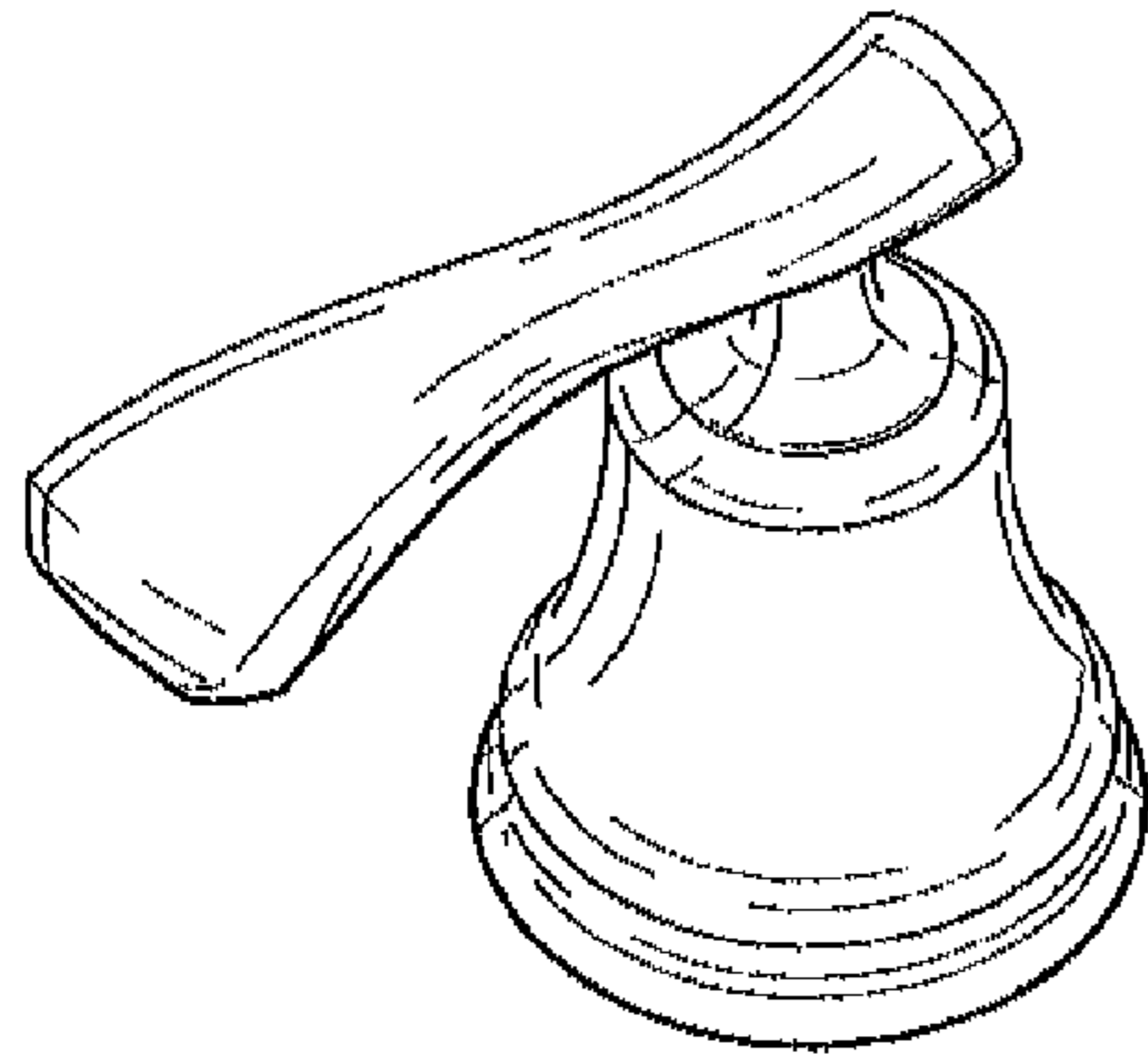


Fig-1

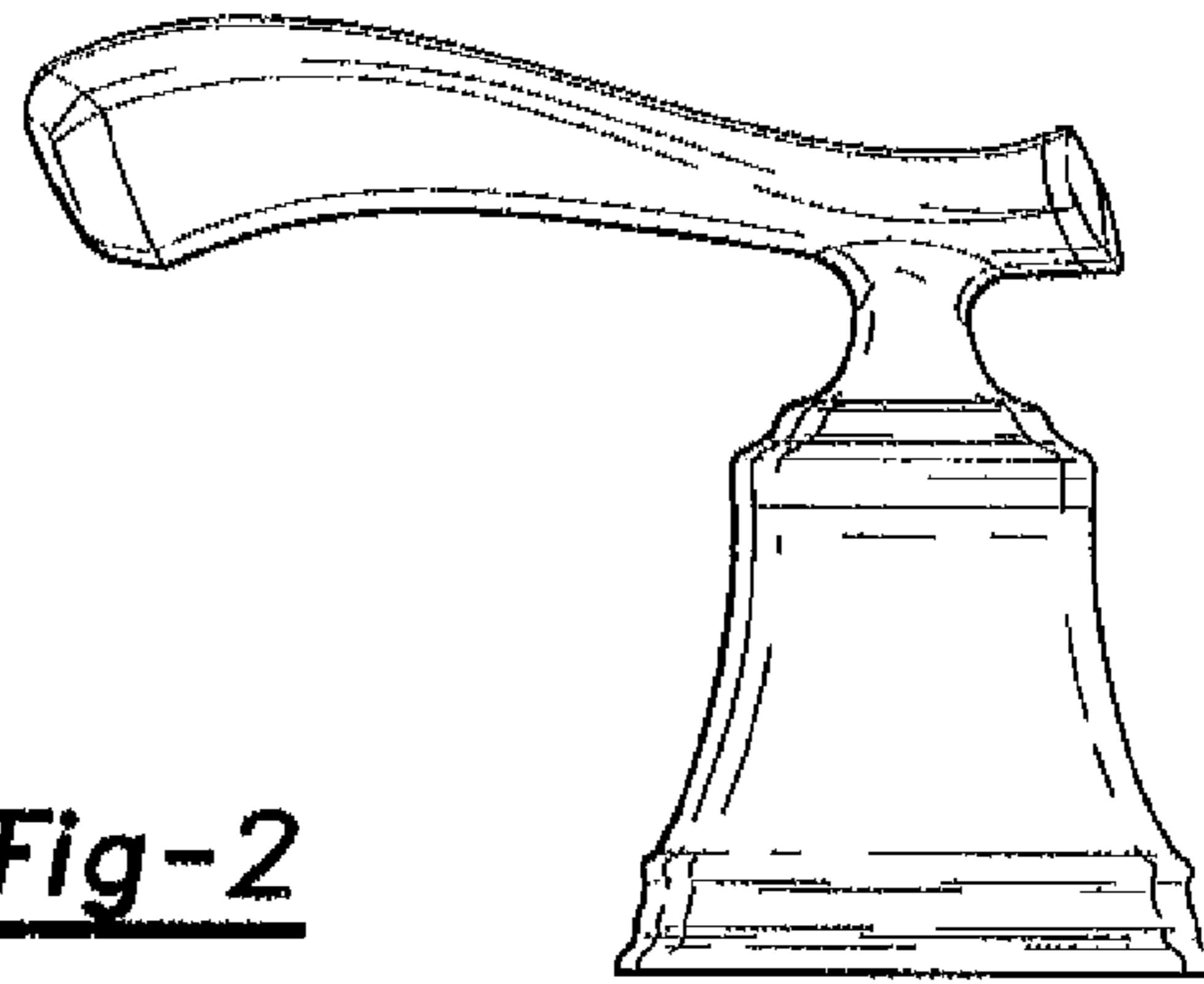


Fig-2

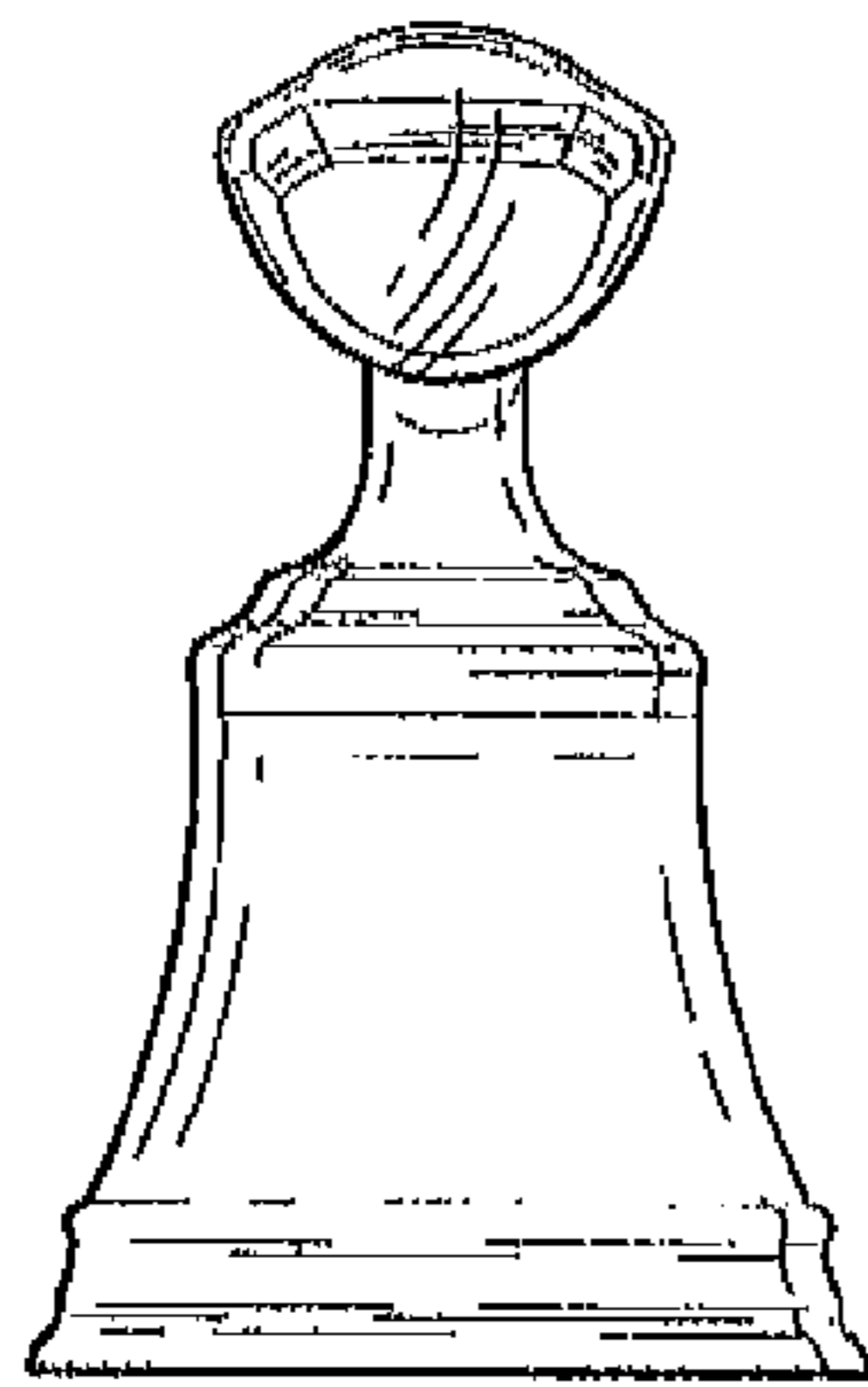


Fig-3

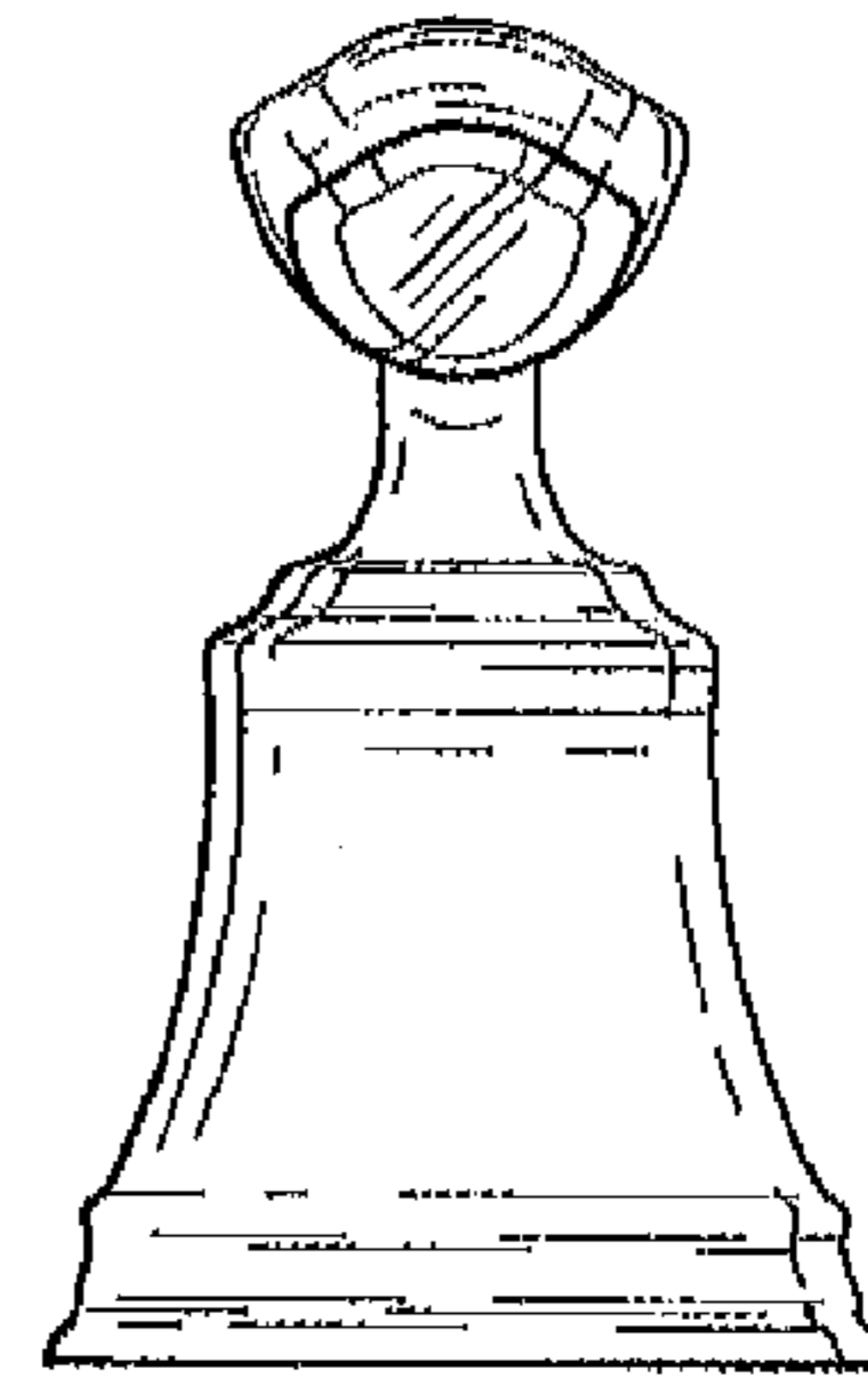


Fig-4

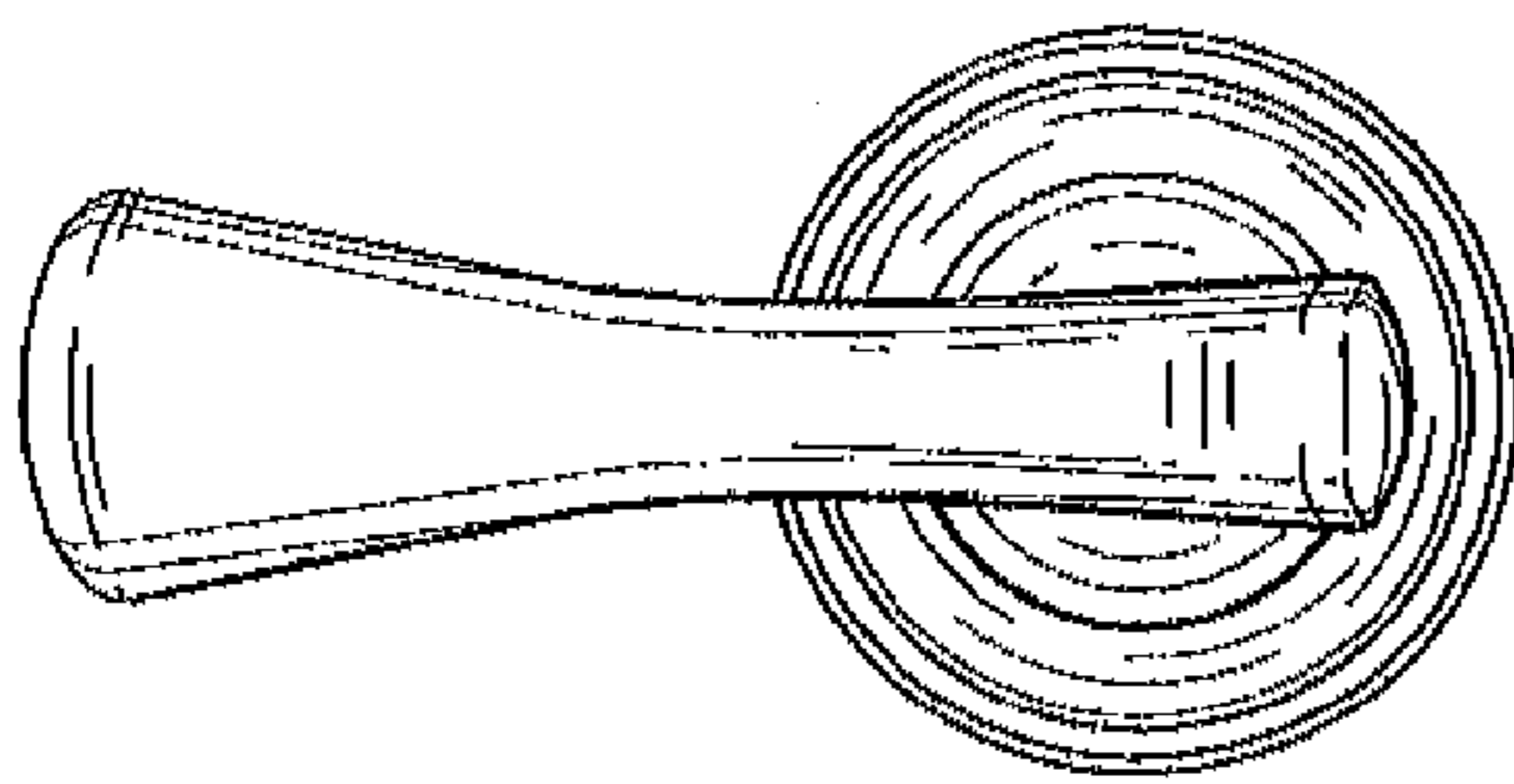


Fig-5

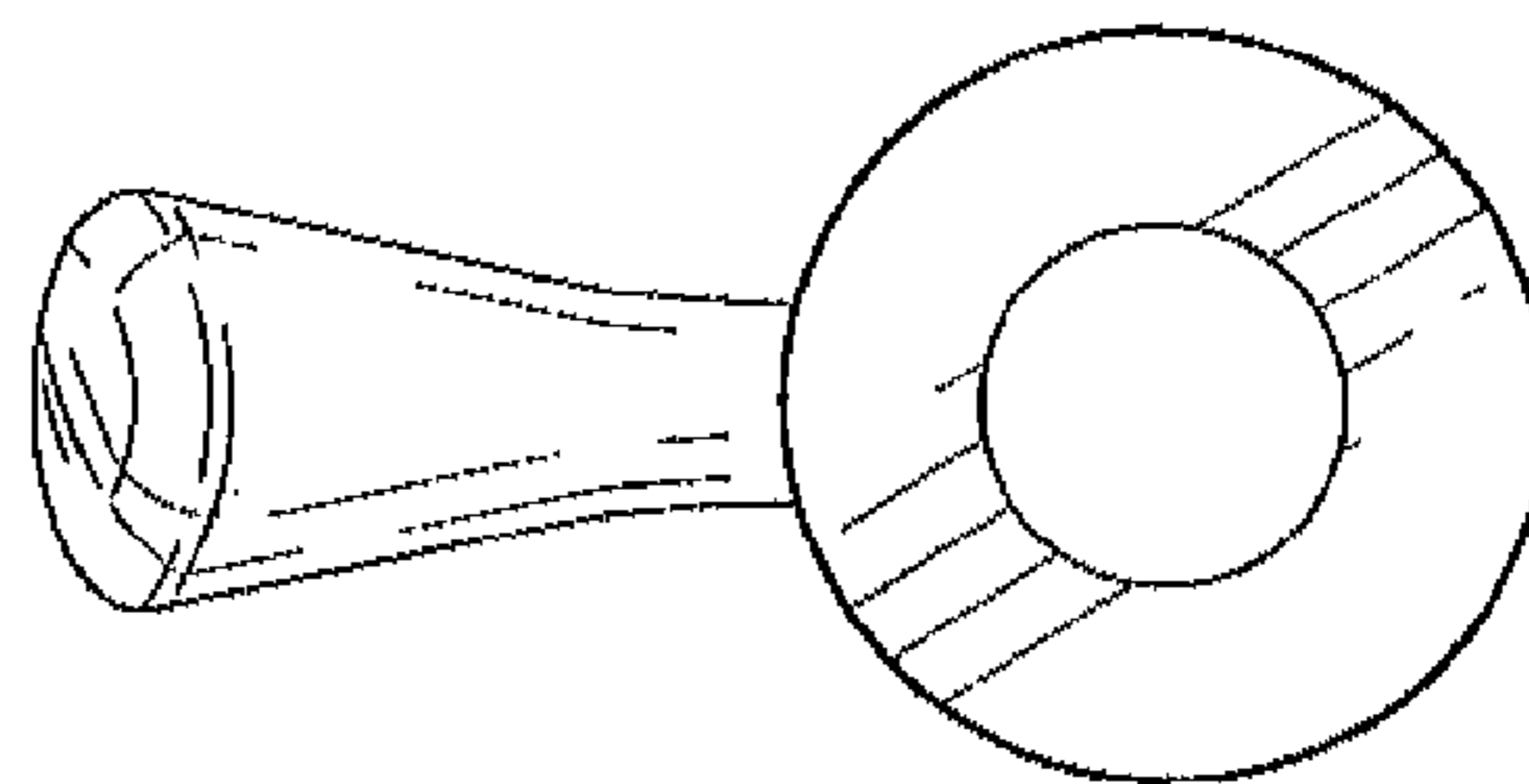


Fig-6