

US00D665479S

(12) **United States Design Patent**  
**Cocks**

(10) **Patent No.:** **US D665,479 S**

(45) **Date of Patent:** **\*\* Aug. 14, 2012**

(54) **MIXER**

(75) Inventor: **Andrew Cocks**, Victoria (AU)

(73) Assignee: **Phoenix Industries Pty Ltd** (AU)

(\*\*) Term: **14 Years**

(21) Appl. No.: **29/389,295**

(22) Filed: **Apr. 8, 2011**

(30) **Foreign Application Priority Data**

Oct. 11, 2010 (AU) ..... 14256/2010

(51) **LOC (9) Cl.** ..... **23-01**

(52) **U.S. Cl.** ..... **D23/238**

(58) **Field of Classification Search** ..... D23/238,  
D23/241-243, 255, 257, 250; 4/675-378;  
137/801

See application file for complete search history.

(56) **References Cited**

**U.S. PATENT DOCUMENTS**

D311,438 S \* 10/1990 Strignano ..... D23/242

D440,637 S \* 4/2001 Lefroy-Brooks ..... D23/255

D524,414 S \* 7/2006 Marcichow et al. .... D23/238

D644,302 S \* 8/2011 Flowers et al. .... D23/238

D646,361 S \* 10/2011 Flowers et al. .... D23/250

\* cited by examiner

*Primary Examiner* — Robert Delehanty

(74) *Attorney, Agent, or Firm* — SAIDMAN DesignLaw Group

(57) **CLAIM**

The ornamental design for a mixer, as shown and described.

**DESCRIPTION**

FIG. 1 is a top perspective view of a mixer showing my new design;

FIG. 2 is a bottom perspective view thereof;

FIG. 3 is a front view thereof;

FIG. 4 is a rear view thereof;

FIG. 5 is a left side view thereof;

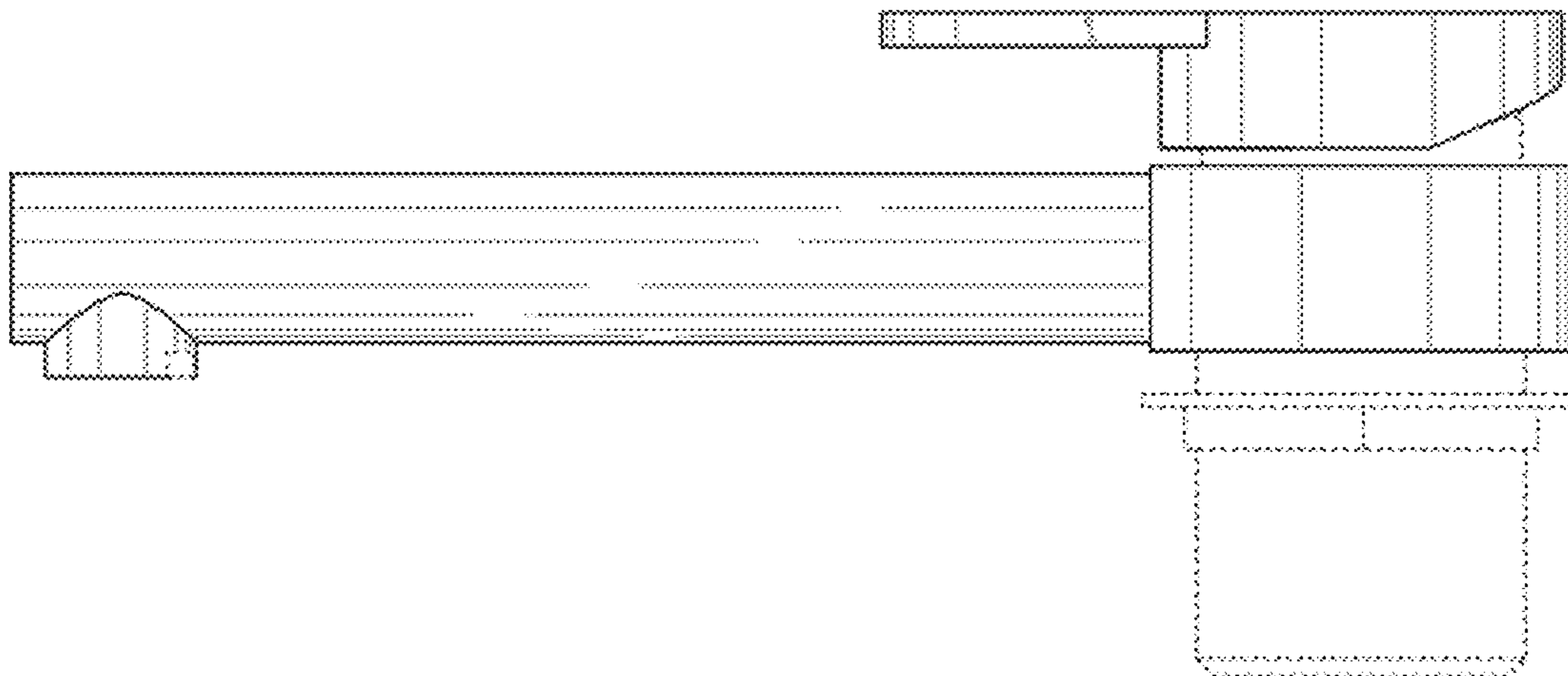
FIG. 6 is a right side view thereof;

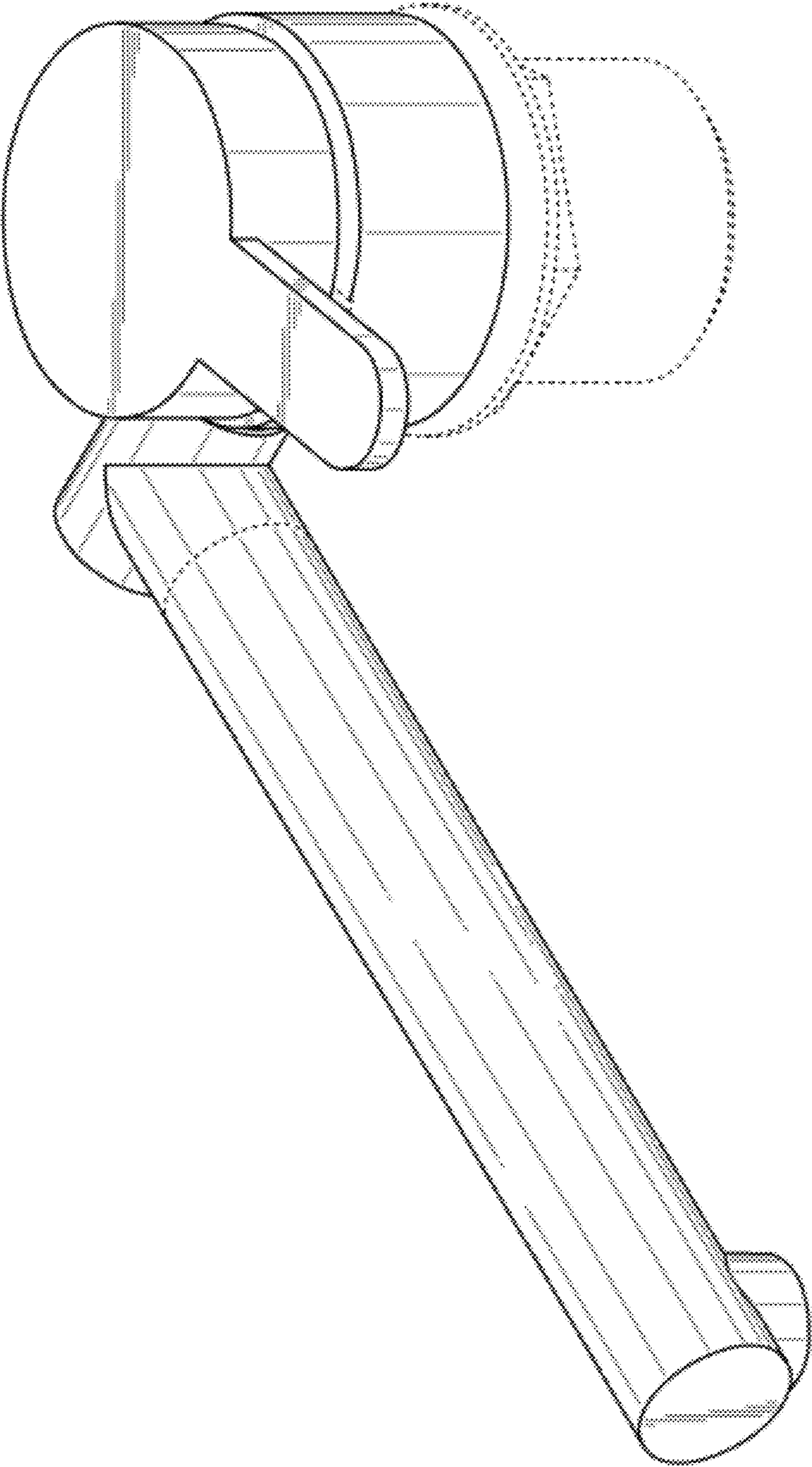
FIG. 7 is a top side view thereof; and,

FIG. 8 is a bottom side view thereof.

The broken lines illustrate portions of the mixer and form no part of the claimed design.

**1 Claim, 7 Drawing Sheets**





**Fig. 1**

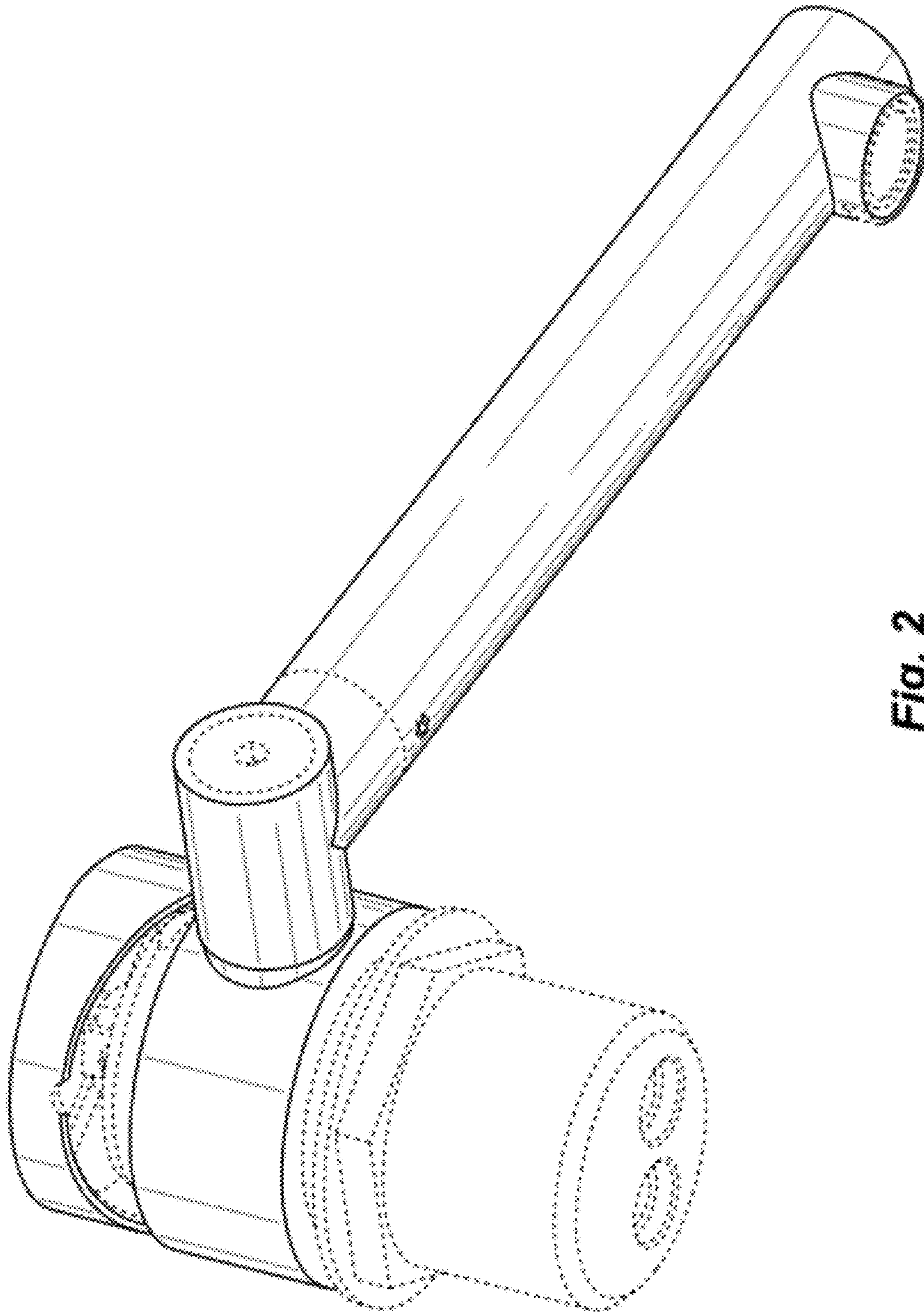
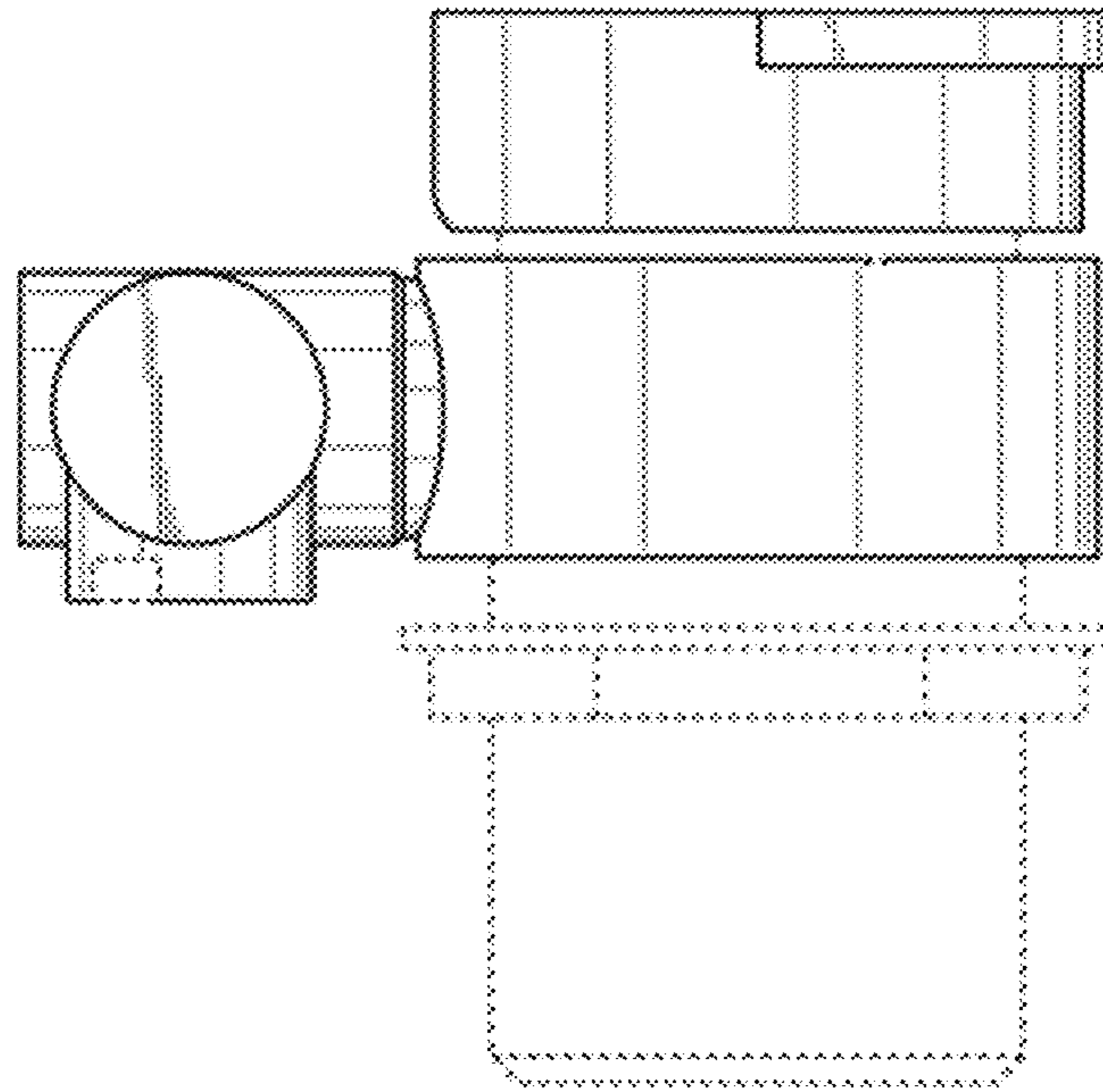
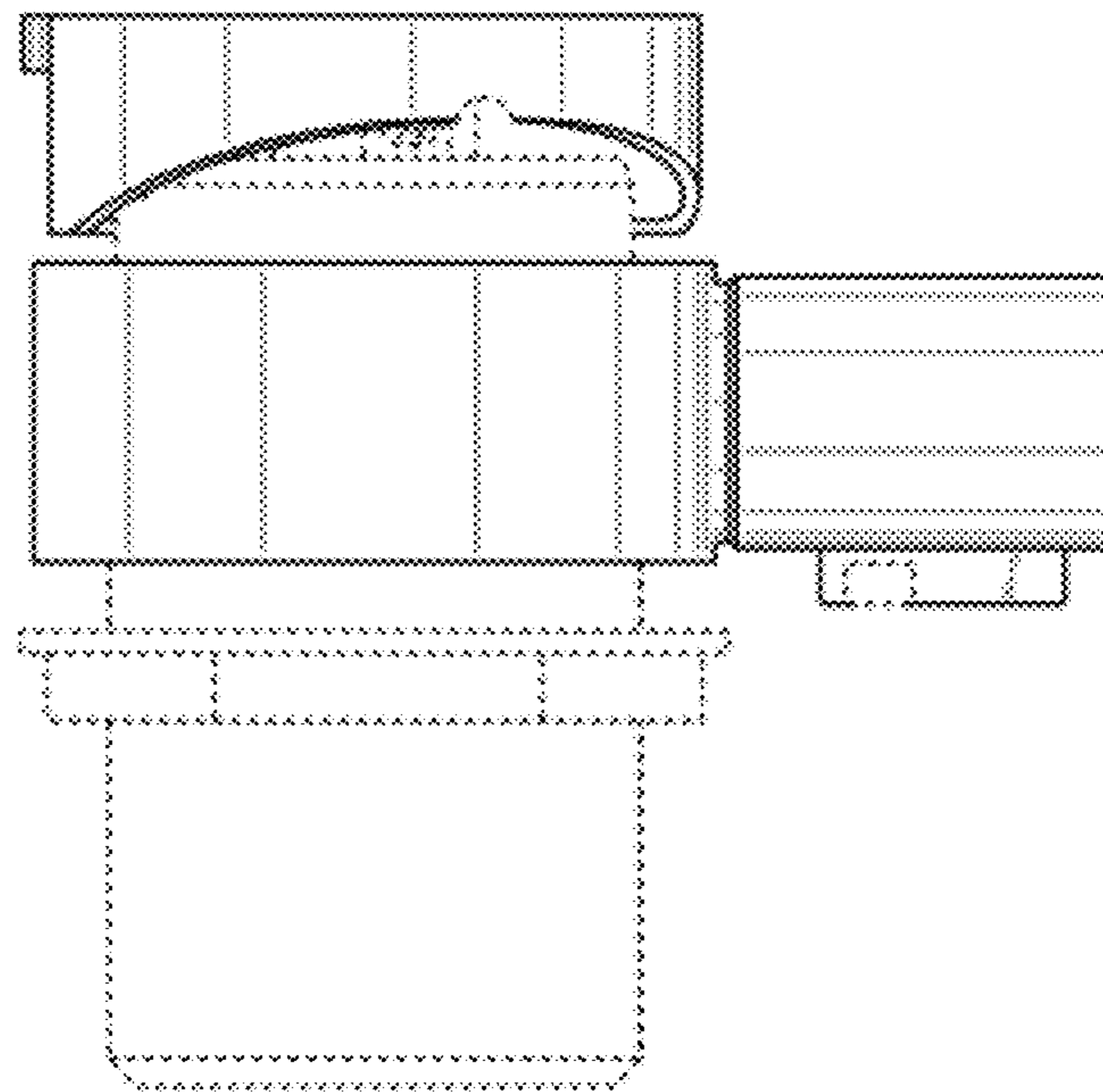


Fig. 2



**Fig. 3**



**Fig. 4**

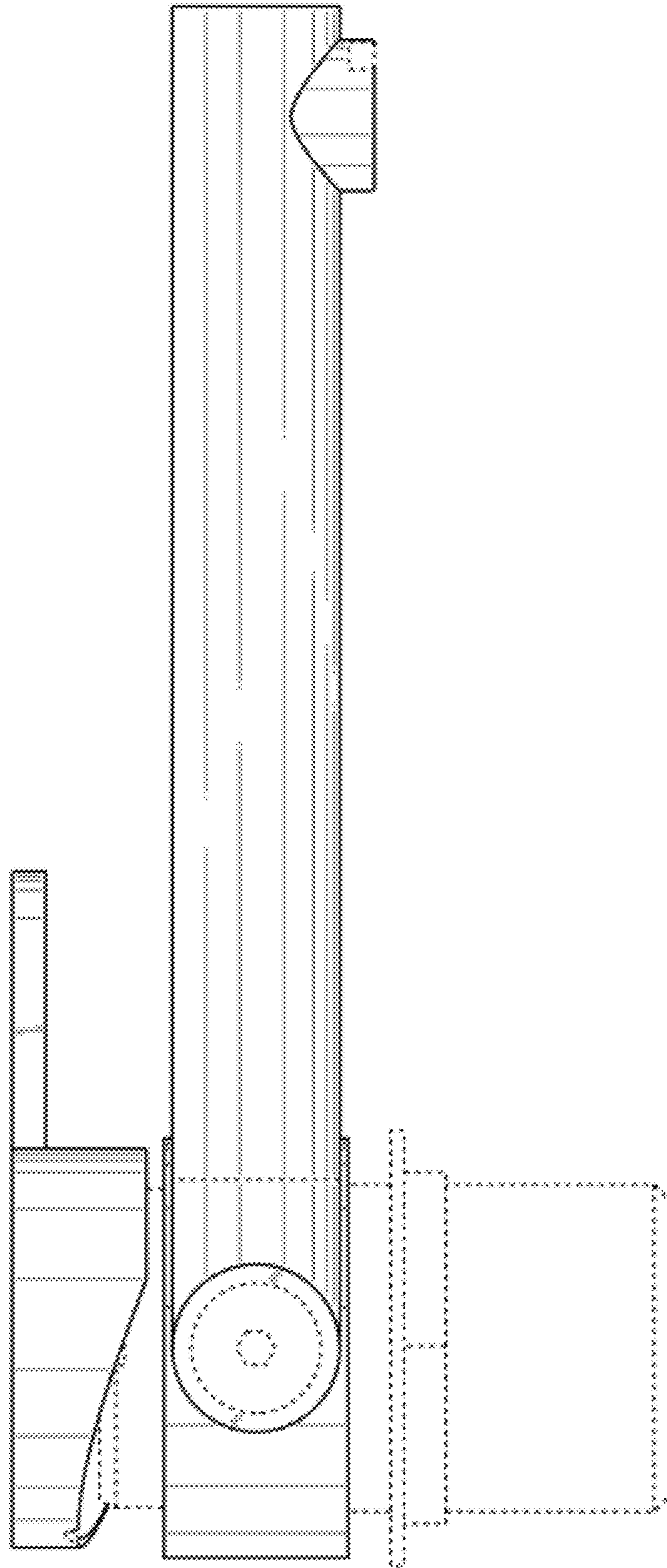


Fig. 5

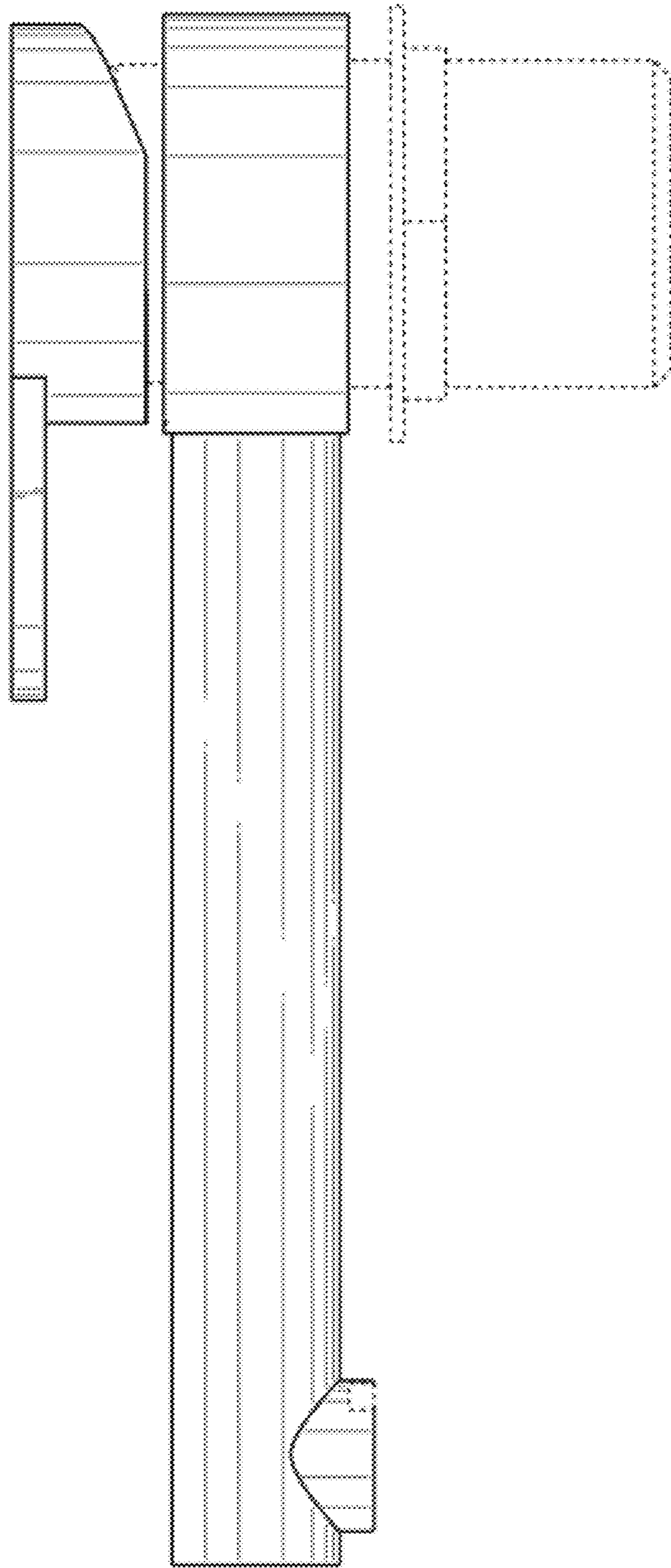
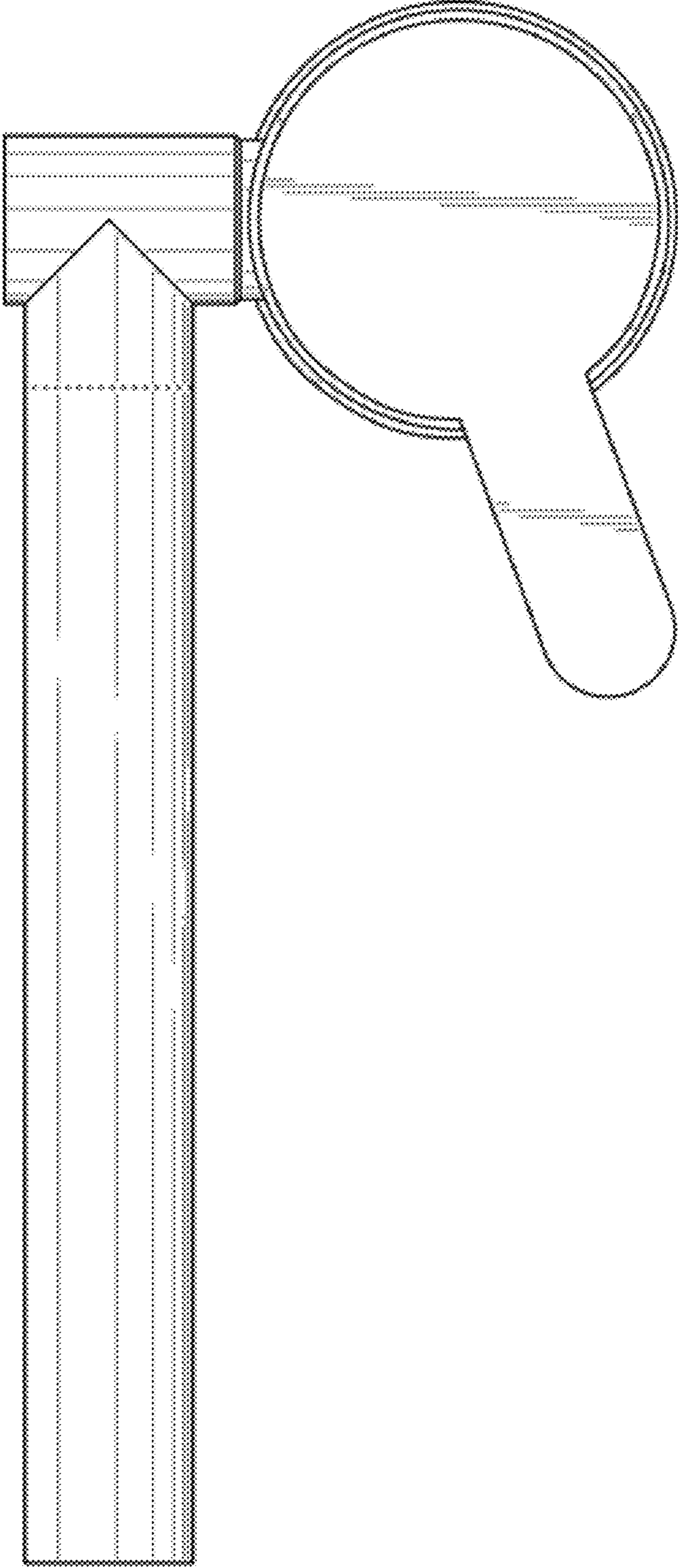
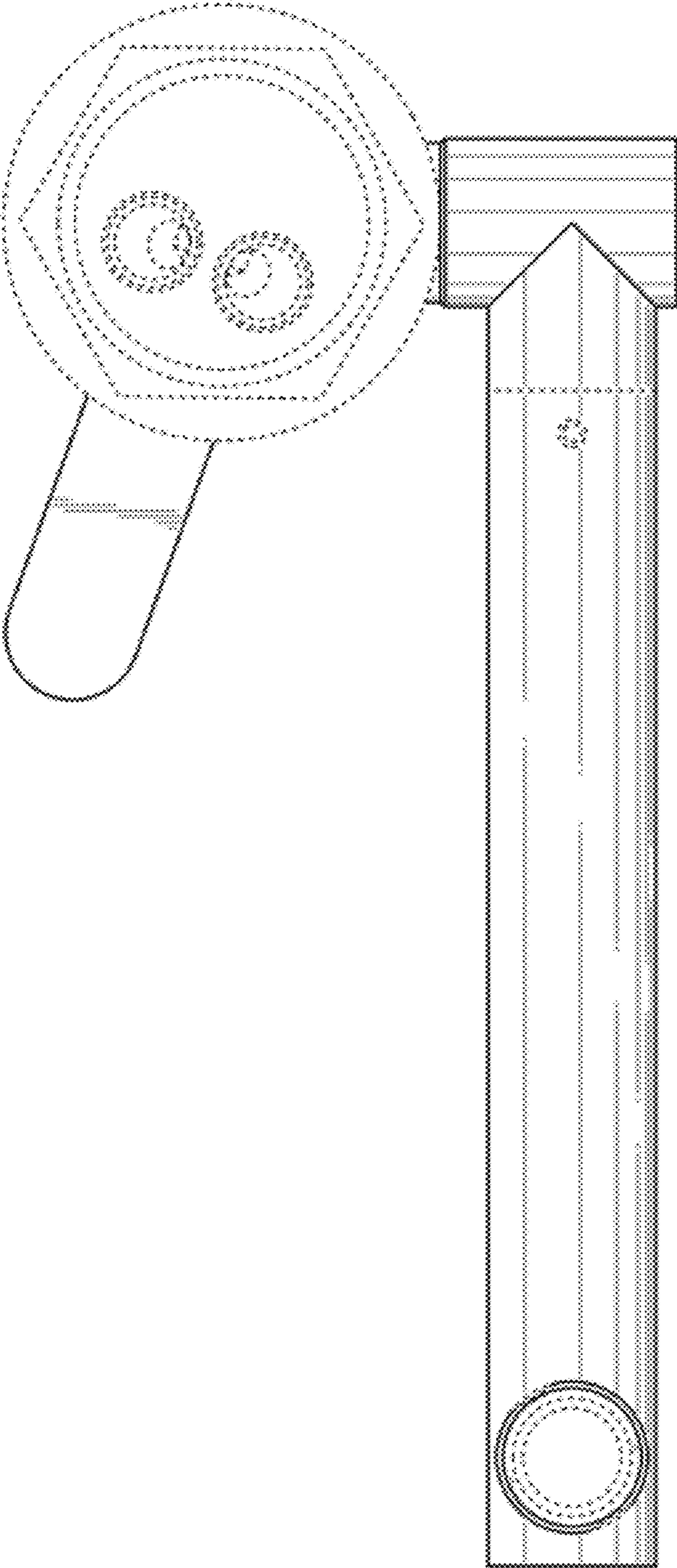


Fig. 6



*Fig. 7*



**Fig. 8**