



US00D665477S

(12) **United States Design Patent**
Kieffer et al.

(10) **Patent No.:** **US D665,477 S**

(45) **Date of Patent:** **** Aug. 14, 2012**

(54) **FLUID SPRAY TIP GUARD**

(75) Inventors: **Joseph W. Kieffer**, Chanhassen, MN
(US); **Jeffrey E. Sandahl**, Buffalo, MN
(US)

(73) Assignee: **Wagner Spray Tech Corporation**,
Plymouth, MN (US)

(**) Term: **14 Years**

(21) Appl. No.: **29/407,174**

(22) Filed: **Nov. 23, 2011**

(51) **LOC (9) Cl.** **23-01**

(52) **U.S. Cl.** **D23/213**

(58) **Field of Classification Search** D23/213,
D23/225; D9/434; 239/119, 288–288.5,
239/DIG. 22

See application file for complete search history.

6,978,944 B1 * 12/2005 Carey et al. 239/119
7,328,853 B2 * 2/2008 Carey et al. 239/74
D602,118 S * 10/2009 Bruno et al. D23/213
D625,775 S * 10/2010 Johnson et al. D23/213

OTHER PUBLICATIONS

“Airless Accessories”, Titan: Advanced Performance, Total Reliability; Jan. 2010; 28 total pages.

“The New SC-6 Reversible Tip with Space-Age Carbide”, Titan; Jan. 2001; 2 total pages.

“Airless Accessories, Essential Tools for Maximum Productivity and Performance”, Graco; <http://wwwd.graco.com/Distributors/DLibrary.nsf/Files/300621/Sfile/300621H.pdf>; accessed on Nov. 1, 2011, 28 total pages.

* cited by examiner

Primary Examiner — Robin V Webster

(74) *Attorney, Agent, or Firm* — Westman, Champlin & Kelly, P.A.

(57) **CLAIM**

The ornamental design for a fluid spray tip guard, as shown and described.

DESCRIPTION

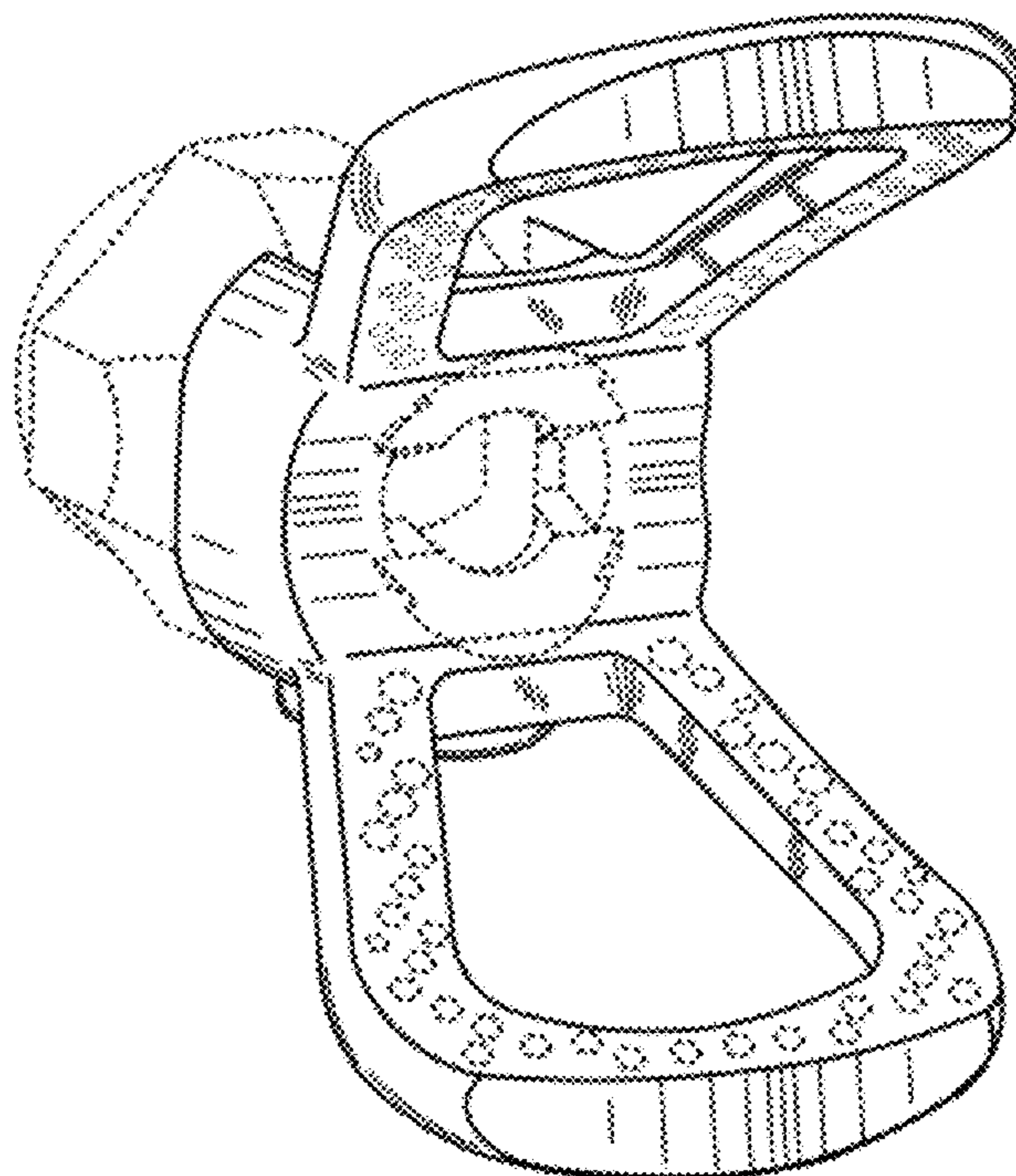
FIG. 1 is a perspective view of a fluid spray tip guard. FIG. 2 is a right side view of the fluid spray tip guard. FIG. 3 is a left side view of the fluid spray tip guard. FIG. 4 is a top view of the fluid spray tip guard. FIG. 5 is a bottom view of the fluid spray tip guard. FIG. 6 is a front view of the fluid spray tip guard; and, FIG. 7 is a rear view of the fluid spray tip guard. The details shown in broken lines form no part of the claimed design.

1 Claim, 4 Drawing Sheets

(56) **References Cited**

U.S. PATENT DOCUMENTS

4,685,621	A	8/1987	Scherer et al.	
5,285,965	A	2/1994	McCutcheon et al.	
5,379,939	A *	1/1995	Perret, Jr.	239/119
5,660,332	A *	8/1997	Carey et al.	239/288.5
5,911,364	A *	6/1999	Johnson et al.	239/119
5,947,381	A *	9/1999	Carey	239/119
6,264,115	B1	7/2001	Liska et al.	
6,390,386	B2	5/2002	Krohn et al.	
6,702,198	B2	3/2004	Tam et al.	
6,918,546	B2 *	7/2005	Leisi	239/119



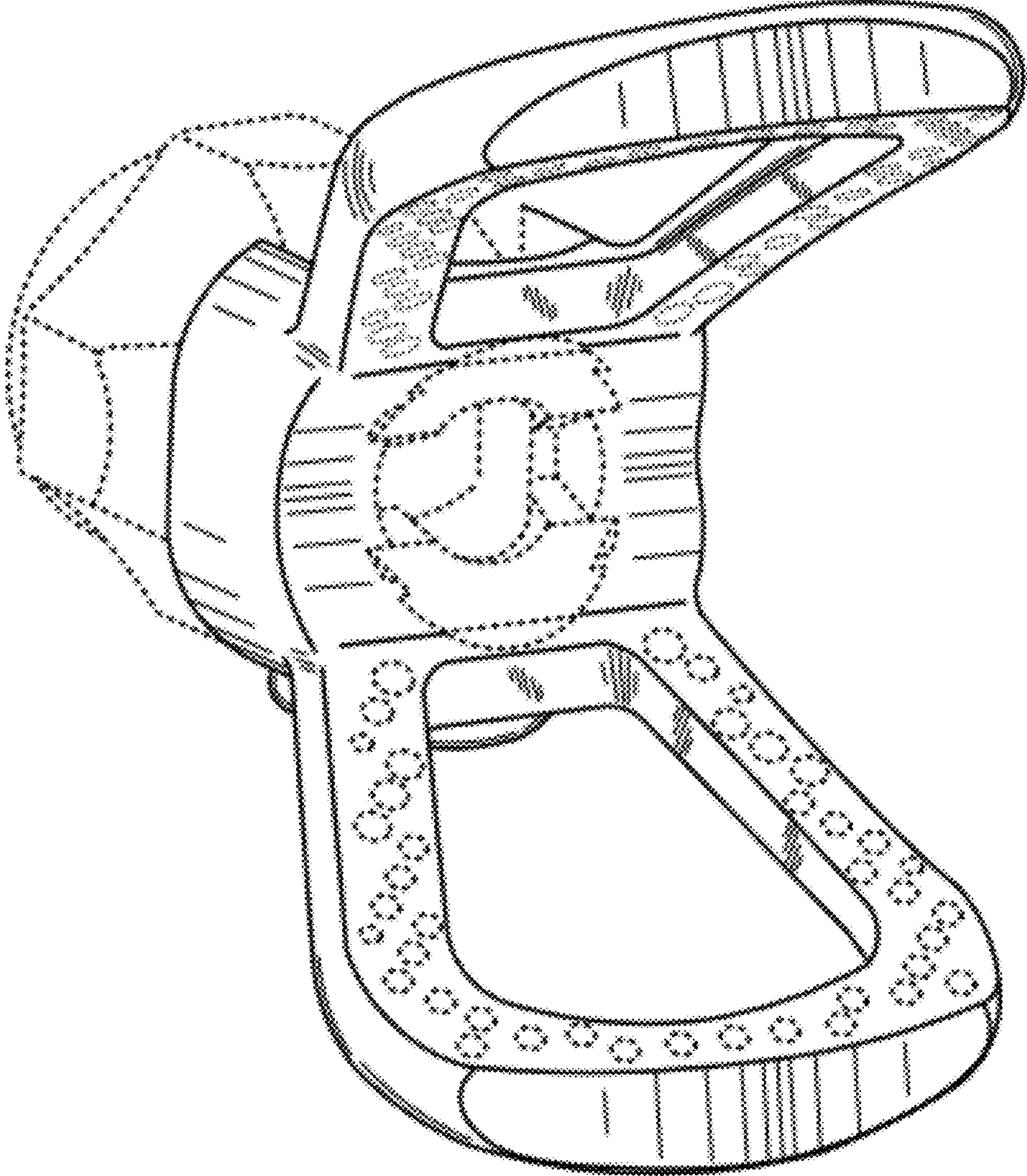


FIG. 1

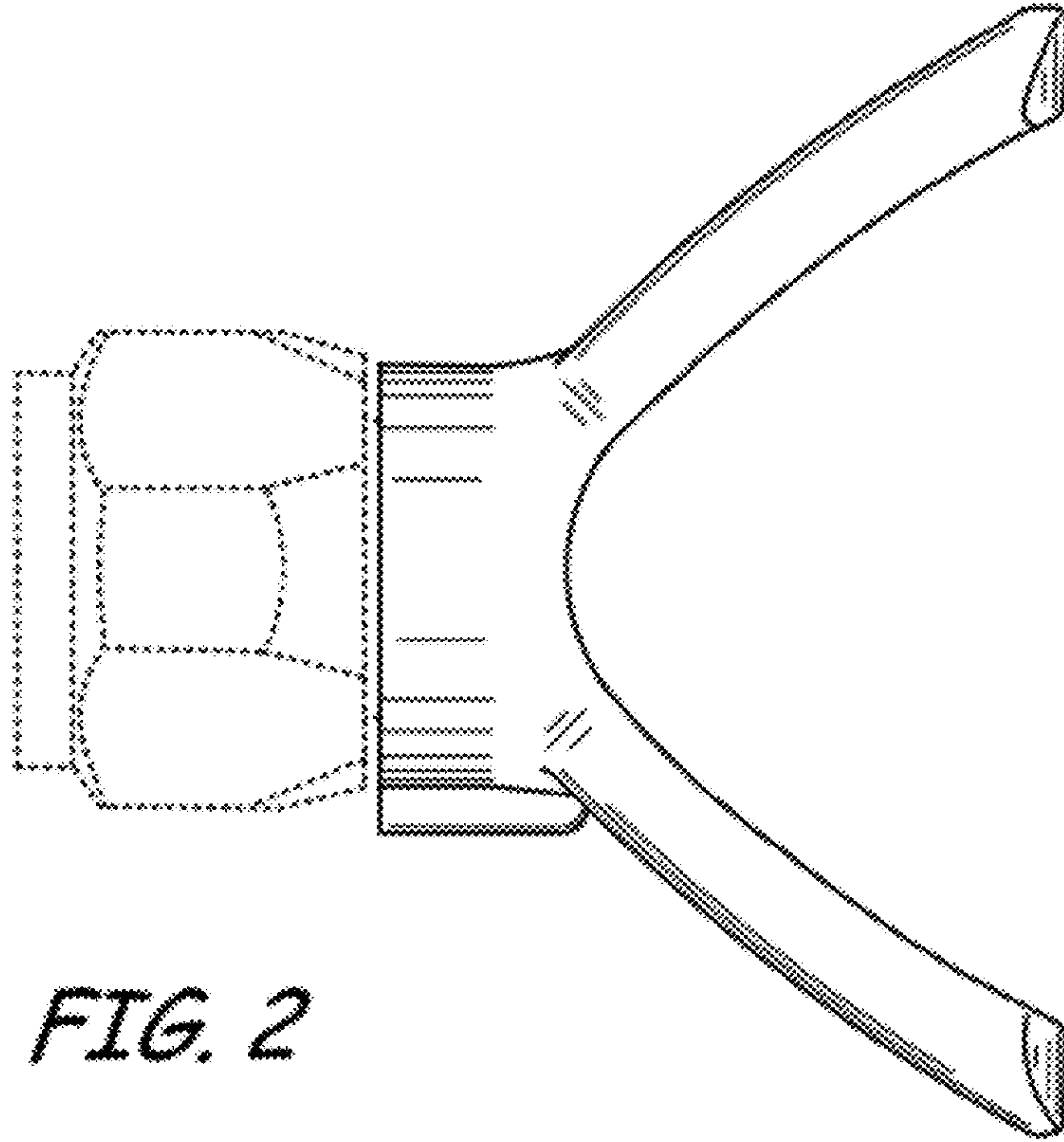


FIG. 2

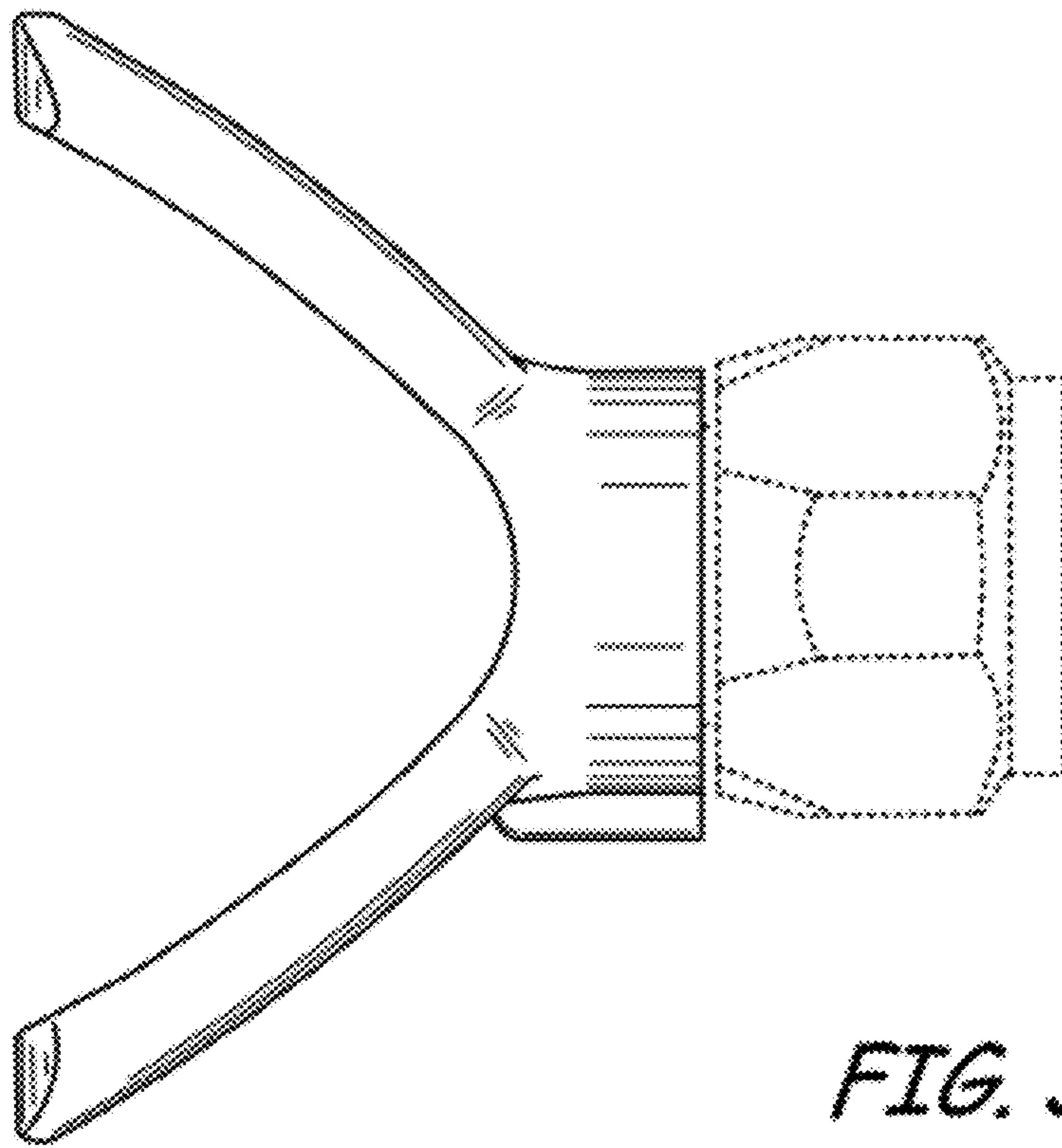


FIG. 3

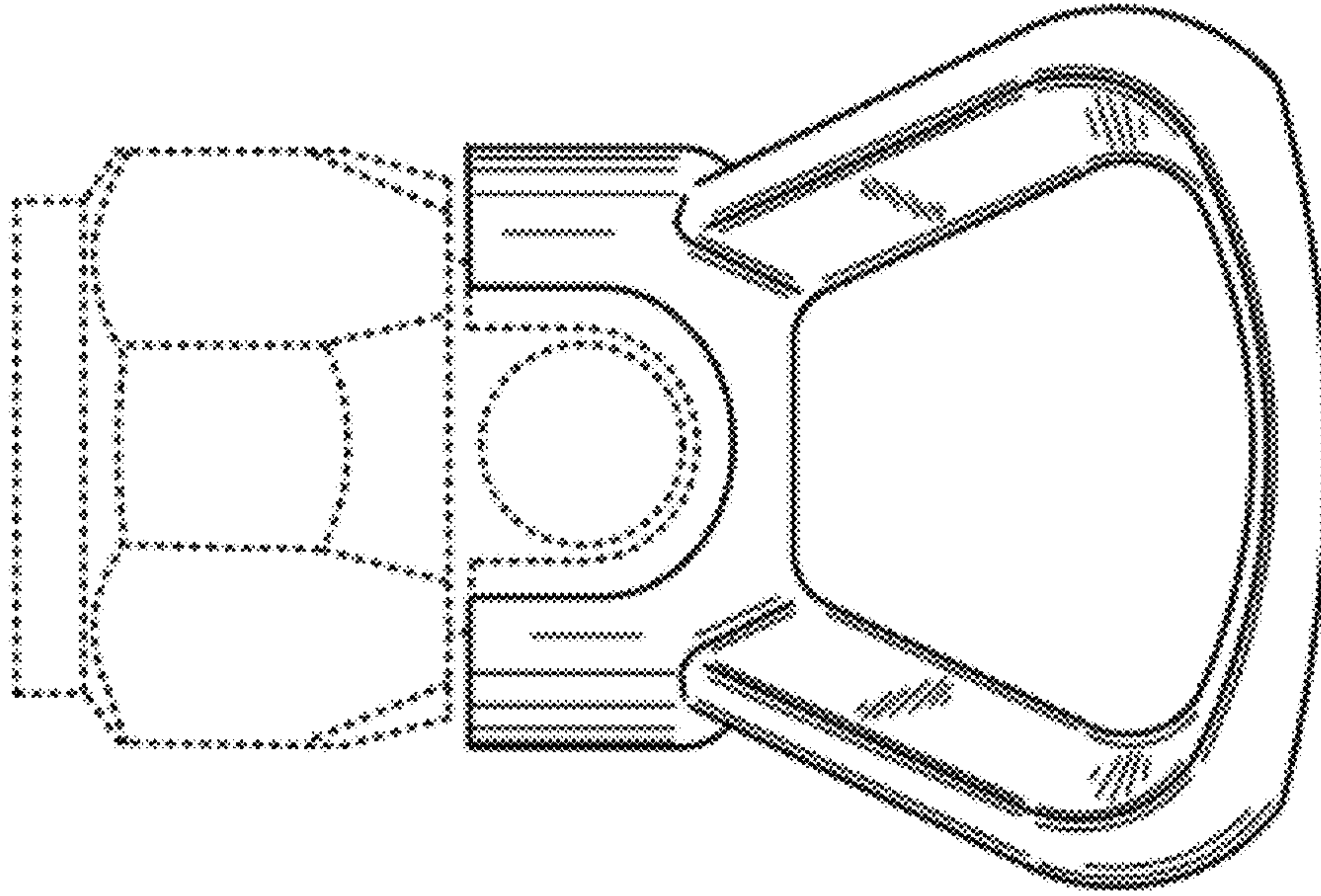


FIG. 4

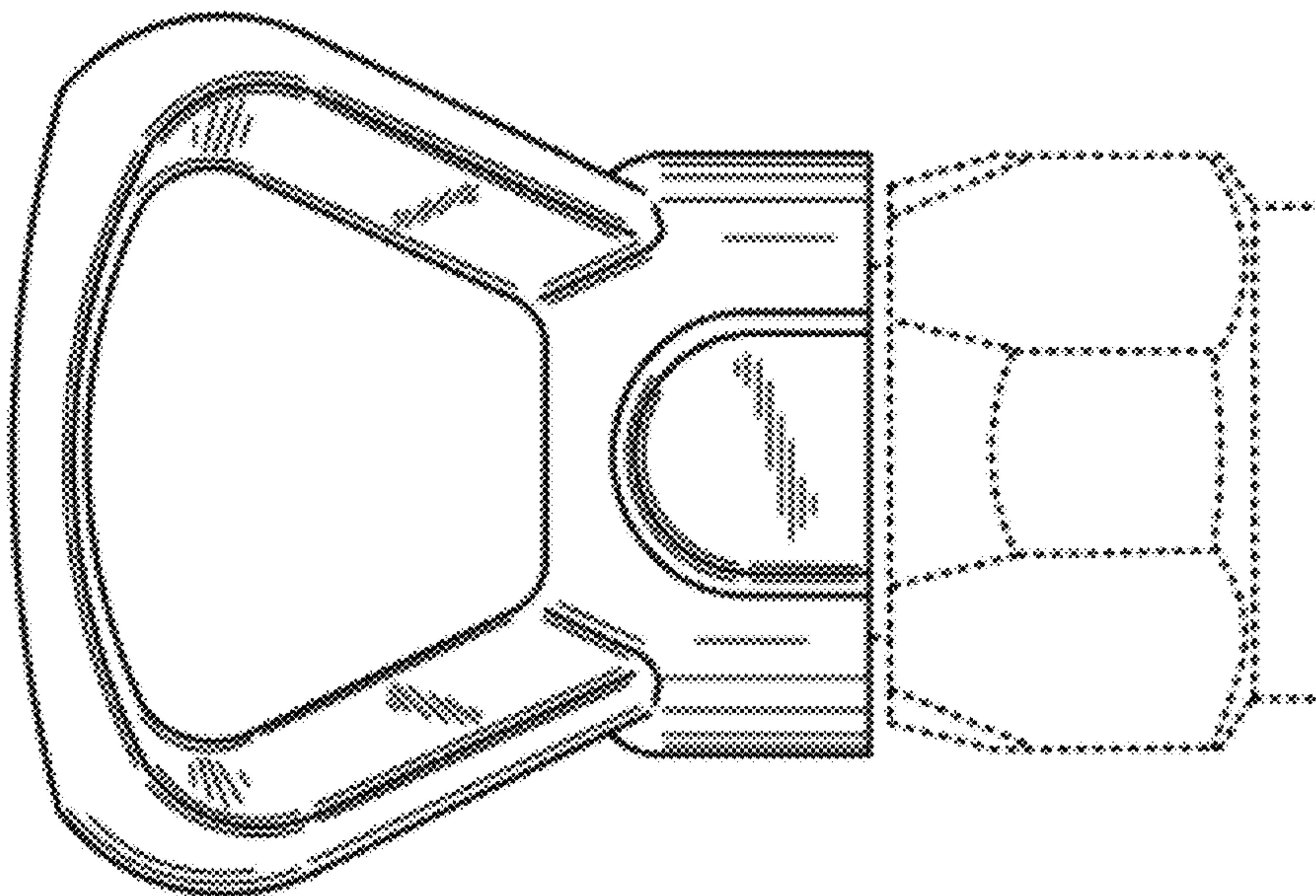


FIG. 5

FIG. 6

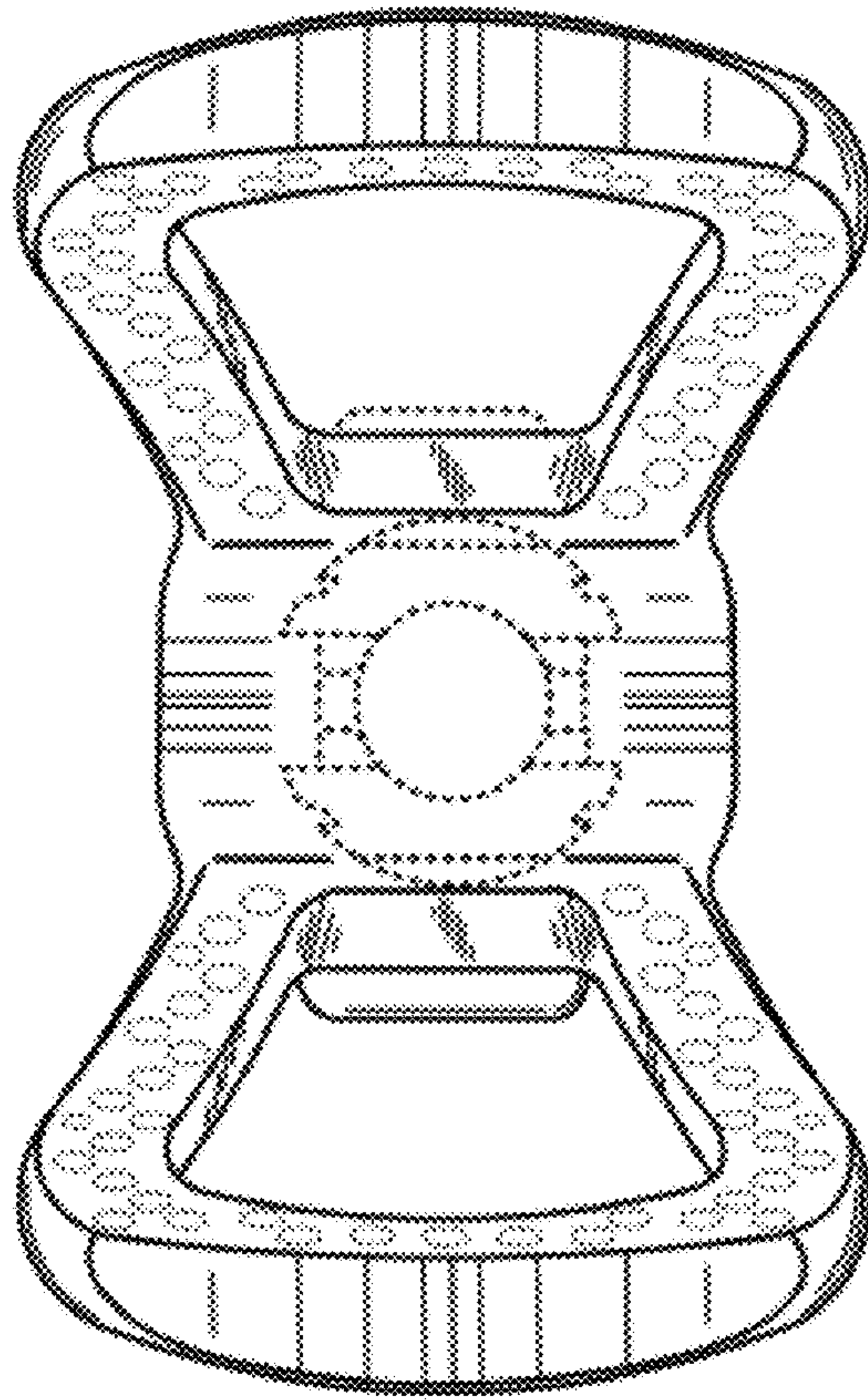


FIG. 7

