

US00D665475S

(12) **United States Design Patent**
Flowers et al.

(10) **Patent No.:** **US D665,475 S**
(45) **Date of Patent:** **** Aug. 14, 2012**

(54) **SHOWER SPRAY**
(75) Inventors: **Paul Flowers**, Duesseldorf (DE); **Jochen Allard**, Menden (DE)
(73) Assignee: **Grohe AG**, Hemer (DE)

5,909,969 A * 6/1999 Davison 4/569
D453,550 S * 2/2002 Lobermeier D23/228
D540,923 S * 4/2007 Starck D23/304
D550,337 S * 9/2007 Stein D23/304
D590,484 S * 4/2009 Kolin et al. D23/304
D591,837 S * 5/2009 Zetsche et al. D23/304
D621,002 S * 8/2010 Yongyan D23/228

* cited by examiner

(**) Term: **14 Years**
(21) Appl. No.: **29/401,201**
(22) Filed: **Sep. 8, 2011**

Primary Examiner — Robin V Webster
(74) *Attorney, Agent, or Firm* — Muncy, Geissler, Olds & Lowe, PLLC

(30) **Foreign Application Priority Data**

Mar. 9, 2011 (EM) 001833187-0001

(51) **LOC (9) Cl.** **23-01**
(52) **U.S. Cl.** **D23/213; D23/228**
(58) **Field of Classification Search** D23/213,
D23/214, 228–230, 304; 239/280; 4/567,
4/552, 596, 597, 601, 605, 615, 900
See application file for complete search history.

(57) **CLAIM**
The ornamental design for a shower spray, as shown and described.

DESCRIPTION

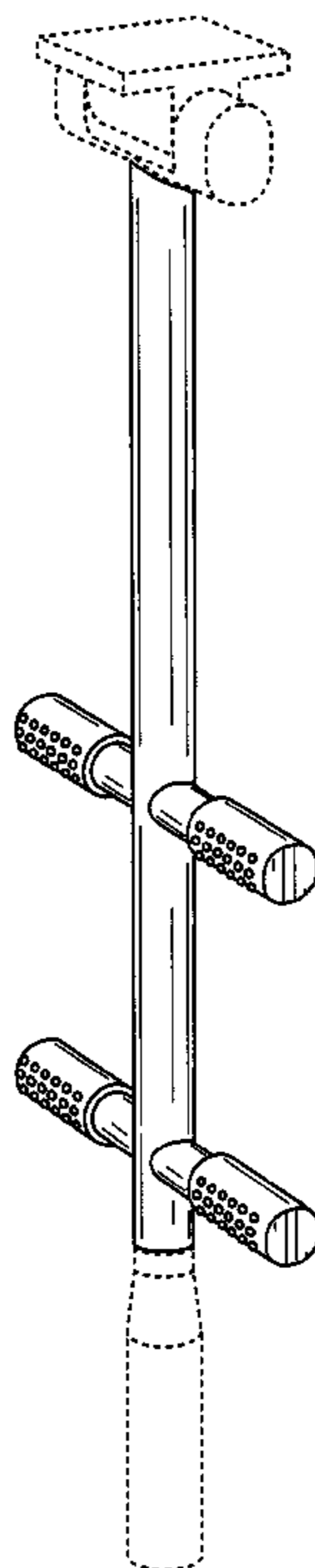
(56) **References Cited**

U.S. PATENT DOCUMENTS

924,602 A * 6/1909 Dimond 4/567
1,112,261 A * 9/1914 Carter 285/8
3,858,252 A * 1/1975 Ejchorszt 4/615
4,397,050 A * 8/1983 Davis et al. 4/601
4,809,369 A * 3/1989 Bowden 4/615
D310,860 S * 9/1990 Delepine D23/213
5,678,258 A * 10/1997 Healy 4/601
D391,341 S * 2/1998 Sutherland D23/228
D398,384 S * 9/1998 Bonnell et al. D23/304

FIG. 1 is a left side elevational view of a shower spray according to the invention.
FIG. 2 is a right side elevational view of the shower spray of FIG. 1.
FIG. 3 is a front elevational view of the shower spray of FIG. 1.
FIG. 4 is a rear elevational view of the shower spray of FIG. 1.
FIG. 5 is a top plan view of the shower spray of FIG. 1.
FIG. 6 is a bottom plan view of the shower spray of FIG. 1; and,
FIG. 7 is a three quarter view of the shower spray of FIG. 1. The dashed lines illustrate environment that does not form a part of the present invention, and no claim is made to the material illustrated with dashed lines.

1 Claim, 7 Drawing Sheets



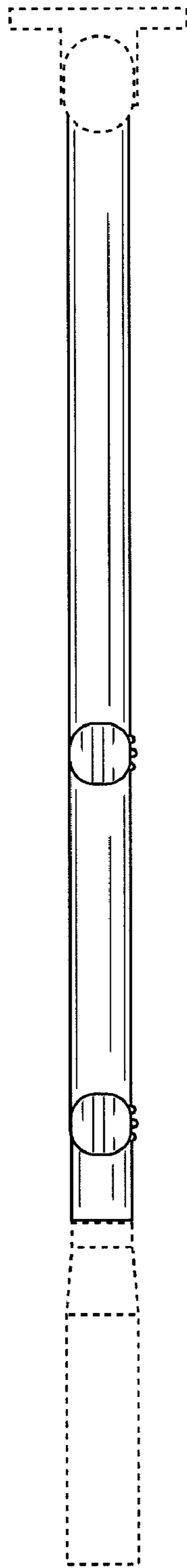


FIG. 1

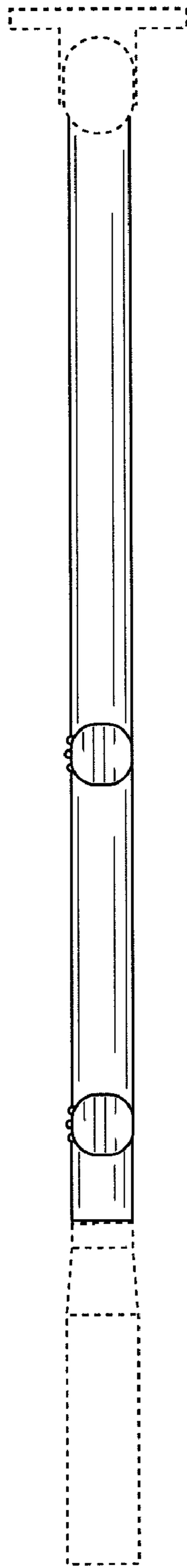


FIG. 2

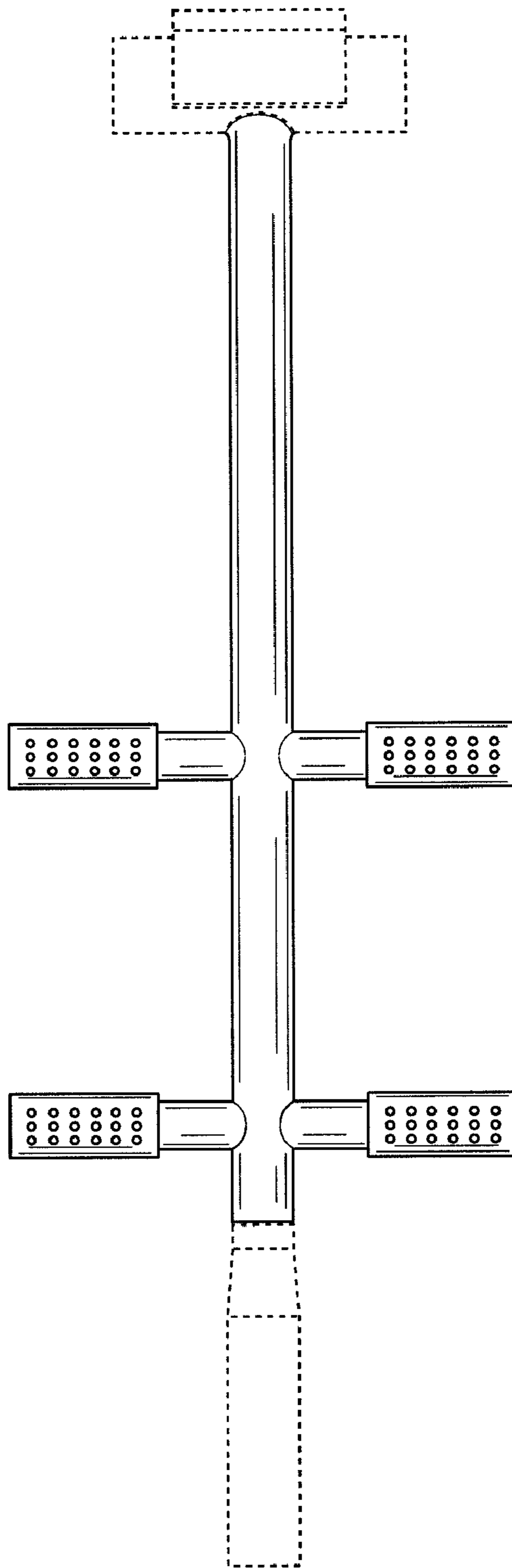


FIG. 3

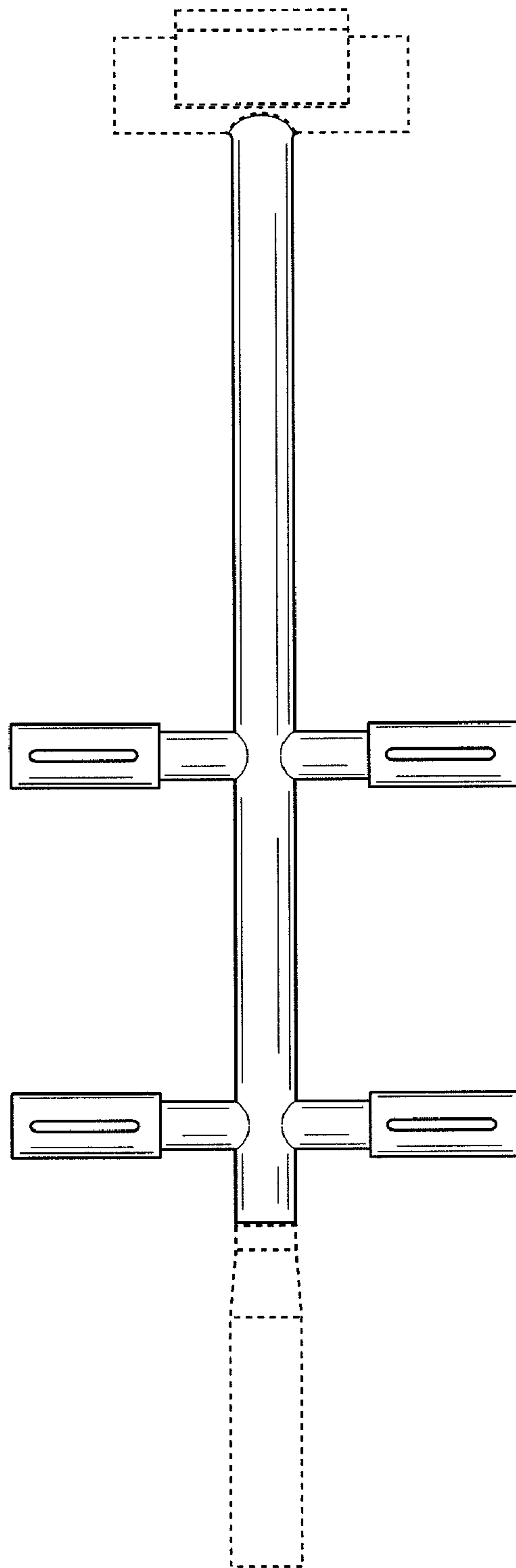


FIG. 4

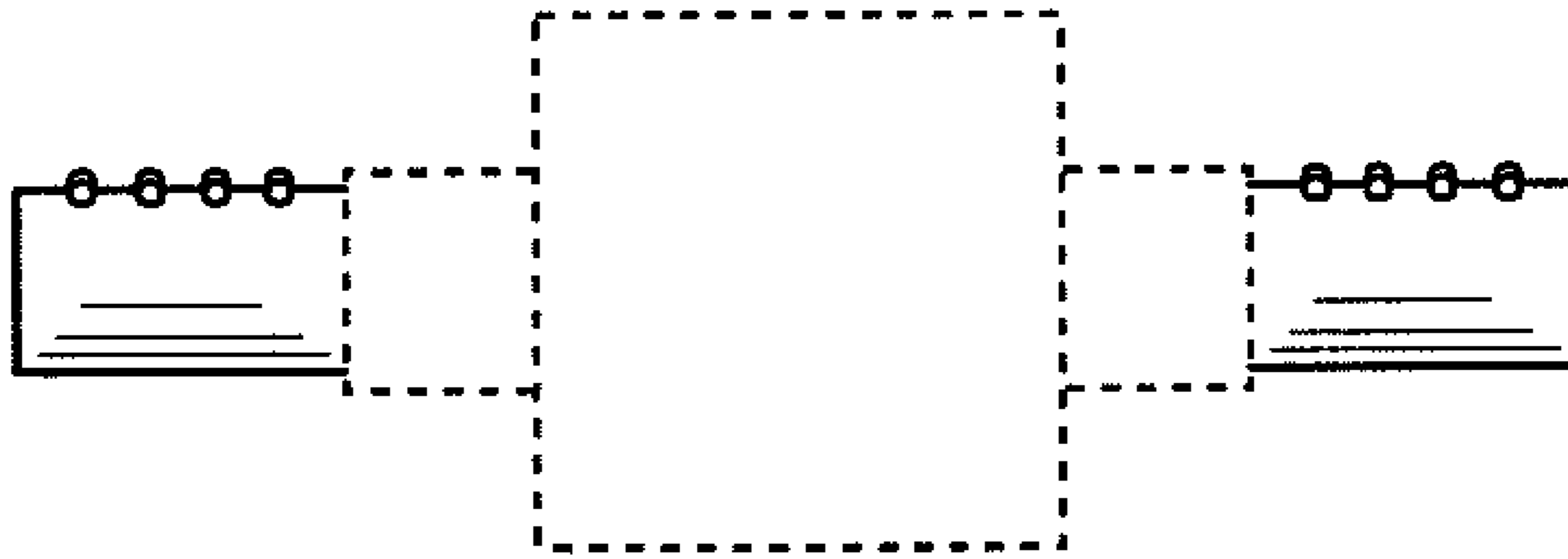


FIG. 5

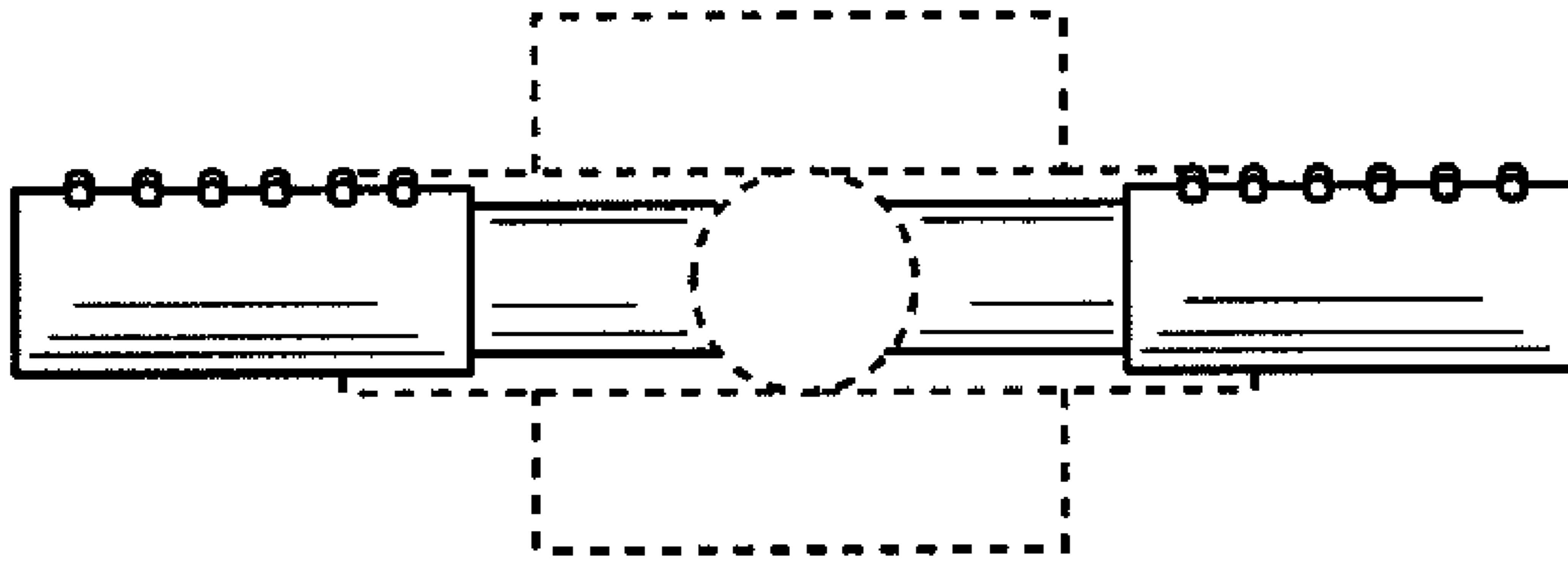


FIG. 6

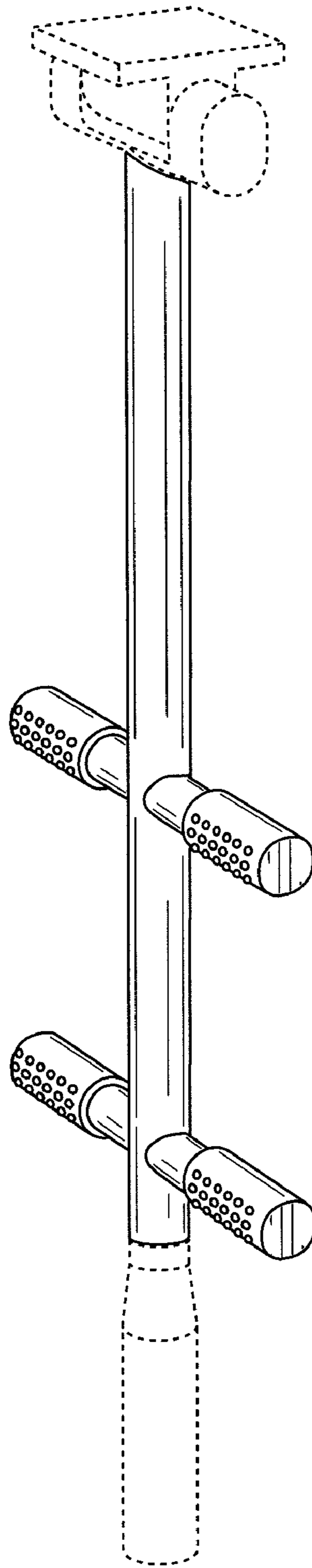


FIG. 7