



US00D665471S

(12) **United States Design Patent**  
**Fossum et al.**

(10) **Patent No.:** **US D665,471 S**  
(45) **Date of Patent:** **\*\* Aug. 14, 2012**

(54) **COLLAR CLAMP FOR SPORTS EQUIPMENT**

(75) Inventors: **Brandon L. Fossum**, Phoenix, AZ (US);  
**John A. Solheim**, Phoenix, AZ (US);  
**Bradley D. Schweigert**, Anthem, AZ (US)

(73) Assignee: **Karsten Manufacturing Corporation**, Phoenix, AZ (US)

(\*\*) Term: **14 Years**

(21) Appl. No.: **29/416,609**

(22) Filed: **Mar. 23, 2012**

**Related U.S. Application Data**

(63) Continuation of application No. 29/416,469, filed on Mar. 22, 2012.

(51) **LOC (9) Cl.** ..... **21-02**

(52) **U.S. Cl.** ..... **D21/753**

(58) **Field of Classification Search** ..... D21/722,  
D21/715, 725, 753, 756, 759, 789; 473/300-303,  
473/318, 305-310, 256; D8/397-399, 382;  
285/334.2, 341; D23/262  
See application file for complete search history.

(56) **References Cited**

**U.S. PATENT DOCUMENTS**

1,882,520	A	10/1932	Pollard	
1,901,377	A	3/1933	Roe	
2,608,409	A *	8/1952	Pinkerton	473/256
2,701,149	A	2/1955	Kreidel	
2,791,019	A	5/1957	Du Laney	
2,950,115	A	8/1960	Hurdzan	
3,362,731	A	1/1968	Gasche	
3,455,301	A *	7/1969	Clark	D21/715
3,667,783	A	6/1972	Sotolongo	

4,116,572	A	9/1978	Heldmann	
D251,918	S	5/1979	Fouts	
4,213,614	A	7/1980	Philippi	
4,557,470	A	12/1985	Link	
4,576,501	A	3/1986	McConnell	
4,857,015	A *	8/1989	Michaels et al.	439/607.47
5,062,734	A	11/1991	Vanze	
D329,013	S	9/1992	Stoner, Jr.	
D329,589	S	9/1992	Parduhn	
5,149,143	A	9/1992	Howell	
D342,891	S	1/1994	Marui	
5,496,029	A	3/1996	Heath	
5,569,096	A	10/1996	Lee	
D383,053	S *	9/1997	Schrader et al.	D8/382
D383,378	S *	9/1997	Schrader et al.	D8/382
D387,831	S *	12/1997	George	D21/753
5,924,658	A	7/1999	Shiery	
5,924,937	A	7/1999	Kuo	
5,926,961	A	7/1999	Uhl	

(Continued)

*Primary Examiner* — Mitchell Siegel

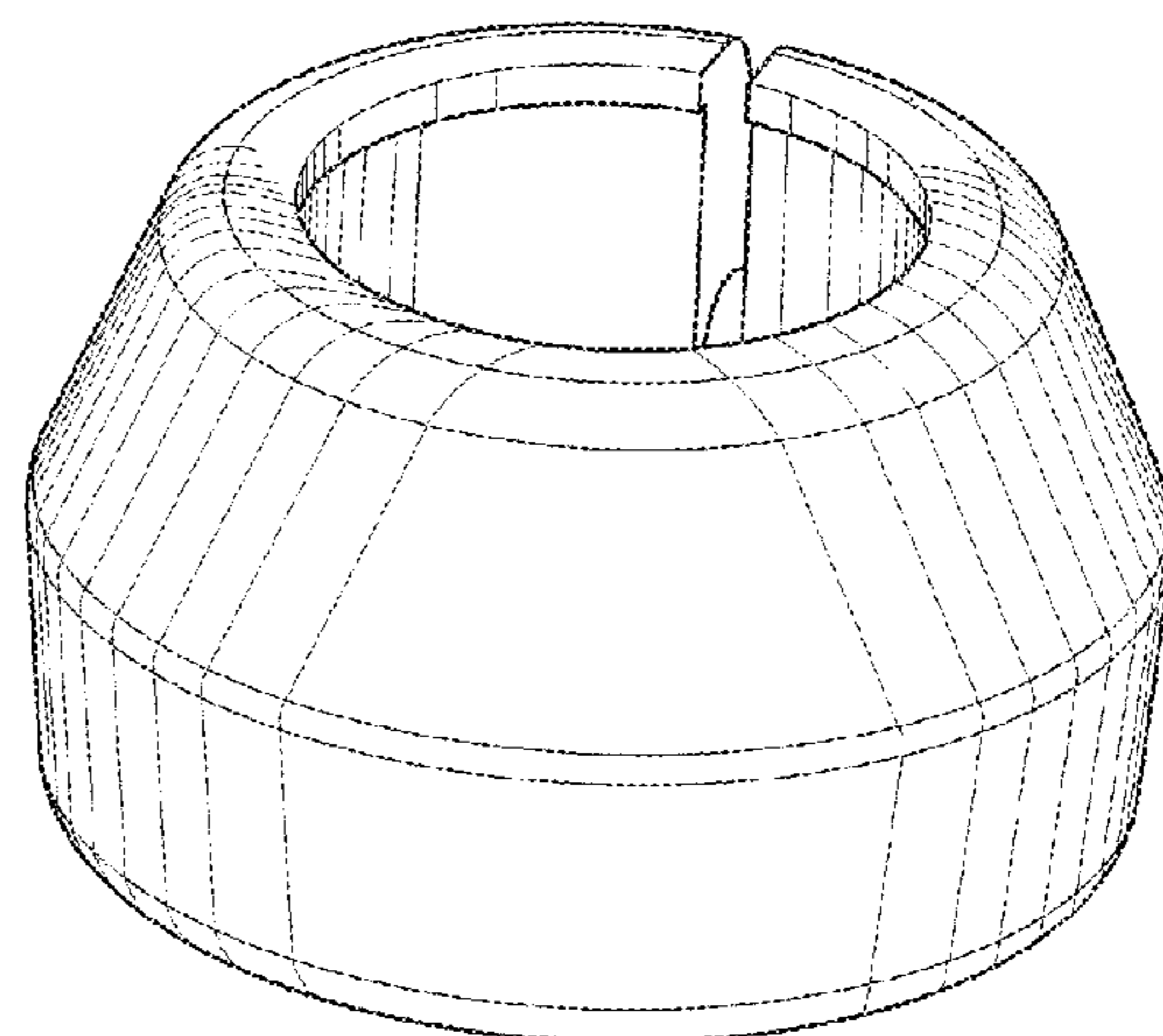
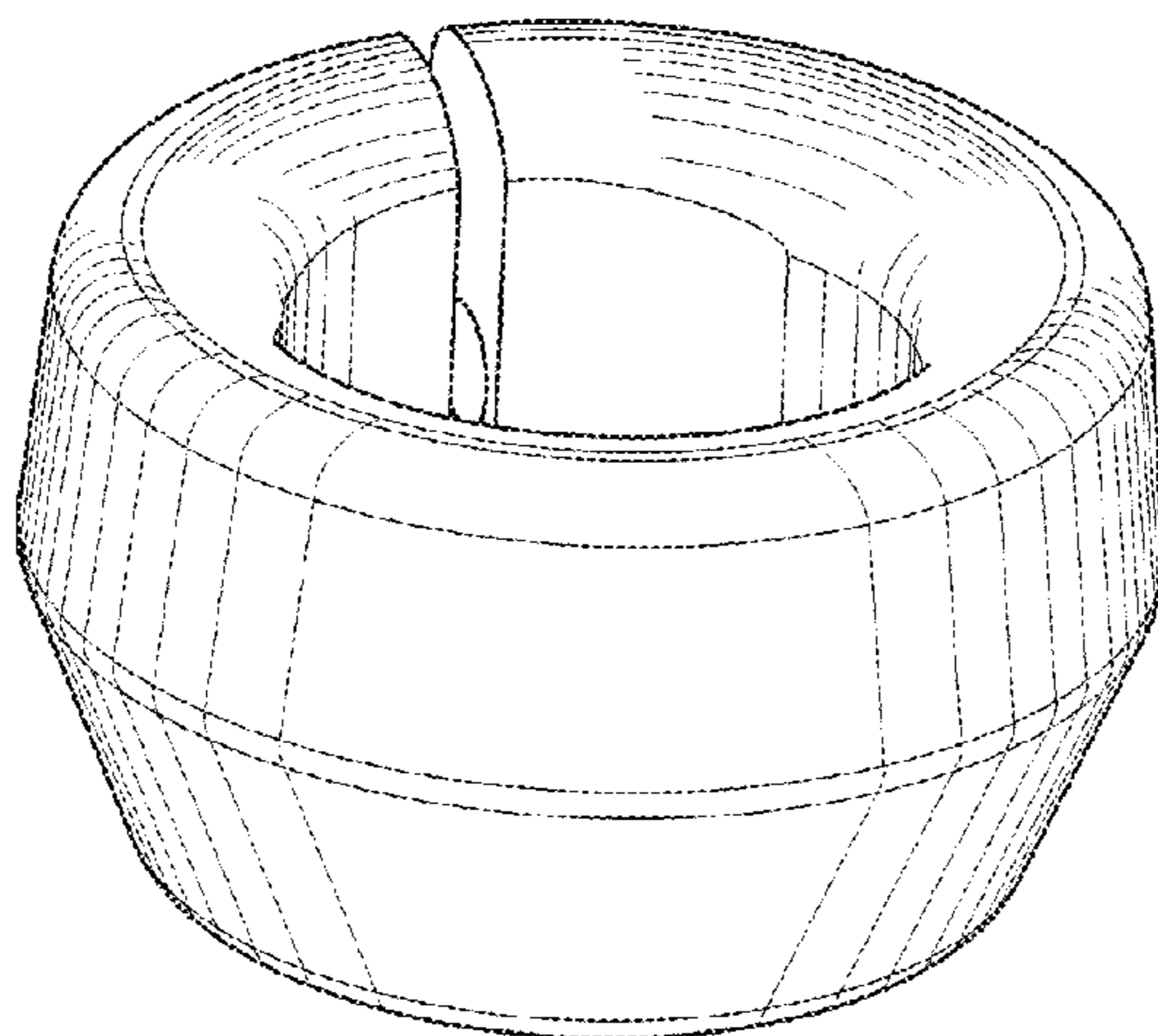
(57) **CLAIM**

The ornamental design for a collar clamp for sports equipment, as shown and described.

**DESCRIPTION**

FIG. 1 is a top perspective view of a collar clamp for sports equipment;  
FIG. 2 is a bottom perspective view of the collar clamp of FIG. 1;  
FIG. 3 is a front view of the collar clamp of FIG. 1;  
FIG. 4 is a rear view of the collar clamp of FIG. 1;  
FIG. 5 is a top view of the collar clamp of FIG. 1;  
FIG. 6 is a bottom view of the collar clamp of FIG. 1;  
FIG. 7 is a right view of the collar clamp of FIG. 1; and,  
FIG. 8 is a left view of the collar clamp of FIG. 1.

**1 Claim, 2 Drawing Sheets**



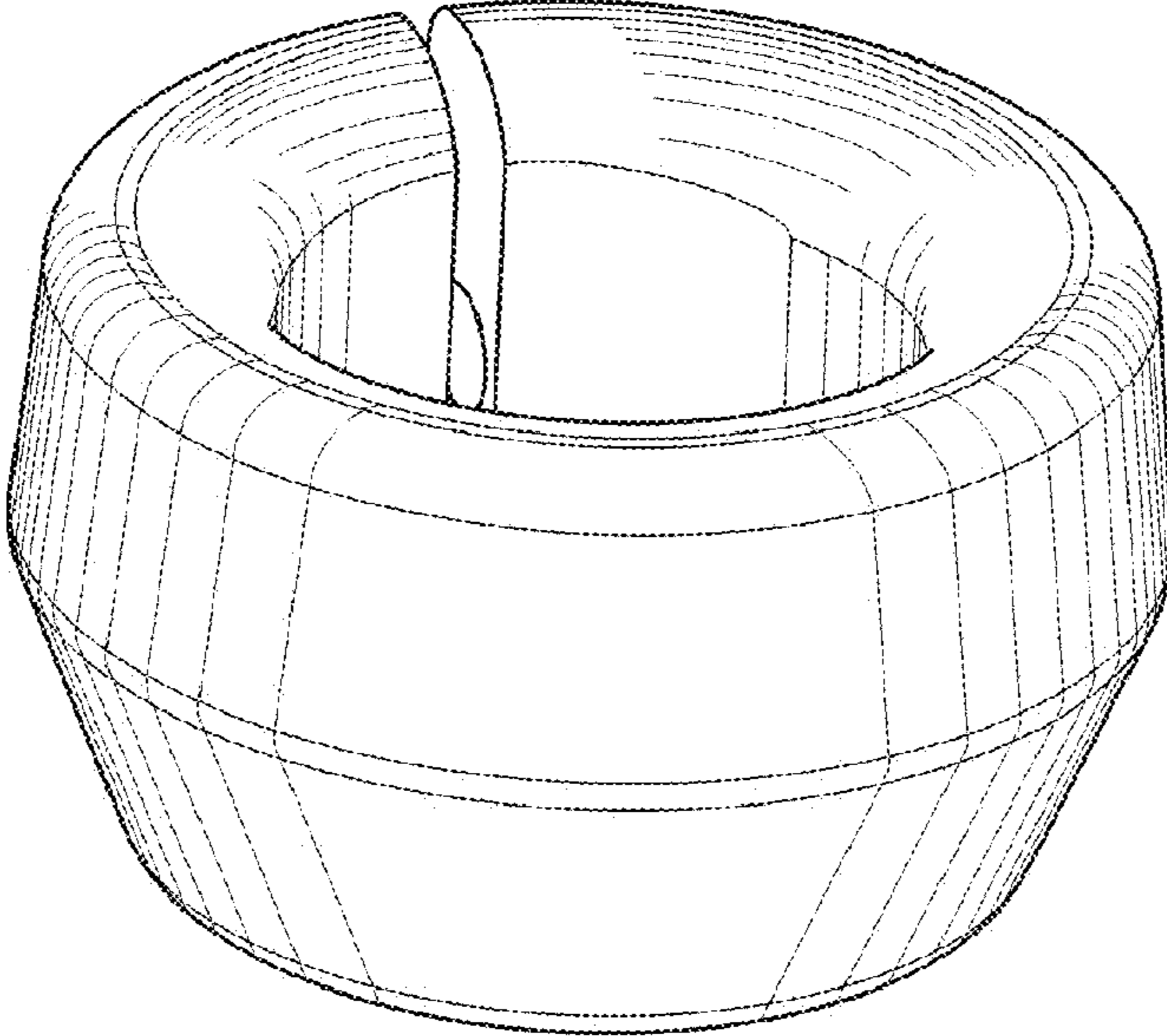
# US D665,471 S

Page 2

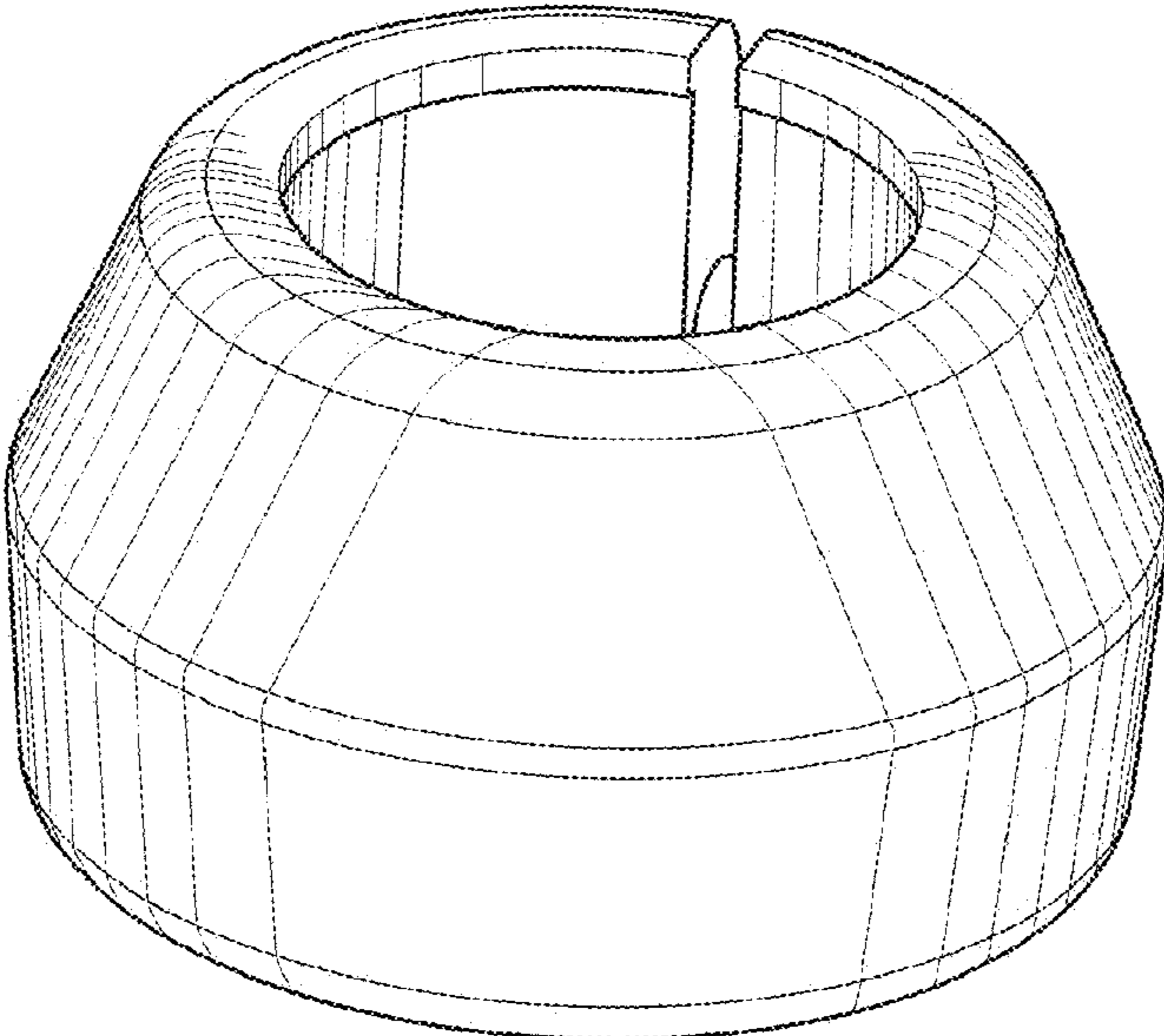
---

U.S. PATENT DOCUMENTS							
5,997,012	A	12/1999	Brian	7,438,496	B2	10/2008	Moore
6,186,904	B1	2/2001	Bass	7,490,866	B2	2/2009	Webb
6,196,930	B1	3/2001	Aumock	D587,633	S	3/2009	Parrett
6,283,874	B1	9/2001	Studebaker	D590,902	S	* 4/2009	De La Cruz et al. .... D21/756
6,358,157	B1	3/2002	Sorenson	D598,076	S	8/2009	Dole
6,413,006	B1	7/2002	Neugart	7,794,340	B2	9/2010	Mauer
D480,953	S	10/2003	Lee	D627,841	S	11/2010	Estrada, Jr.
6,938,587	B2	9/2005	Thomas	D650,262	S	12/2011	Hinkle, III
D522,853	S	* 6/2006	Shirakawa ..... D8/397	8,075,217	B2	12/2011	Eason
D523,507	S	6/2006	Perry	2003/0186759	A1	10/2003	Buchanan
7,074,135	B2	7/2006	Moore	2004/0190983	A1	9/2004	Hamilton
7,115,046	B1	* 10/2006	Evans ..... 473/307	2005/0143186	A1	6/2005	Blattner
7,252,598	B2	8/2007	Lidner	2008/0156139	A1	7/2008	Lai
7,300,210	B2	11/2007	Johnson	2009/0156322	A1	6/2009	Luly
7,309,292	B2	12/2007	Tu Teng	2011/0124430	A1	5/2011	Hicks
7,384,344	B2	6/2008	Aguirre	2011/0165956	A1	7/2011	Park

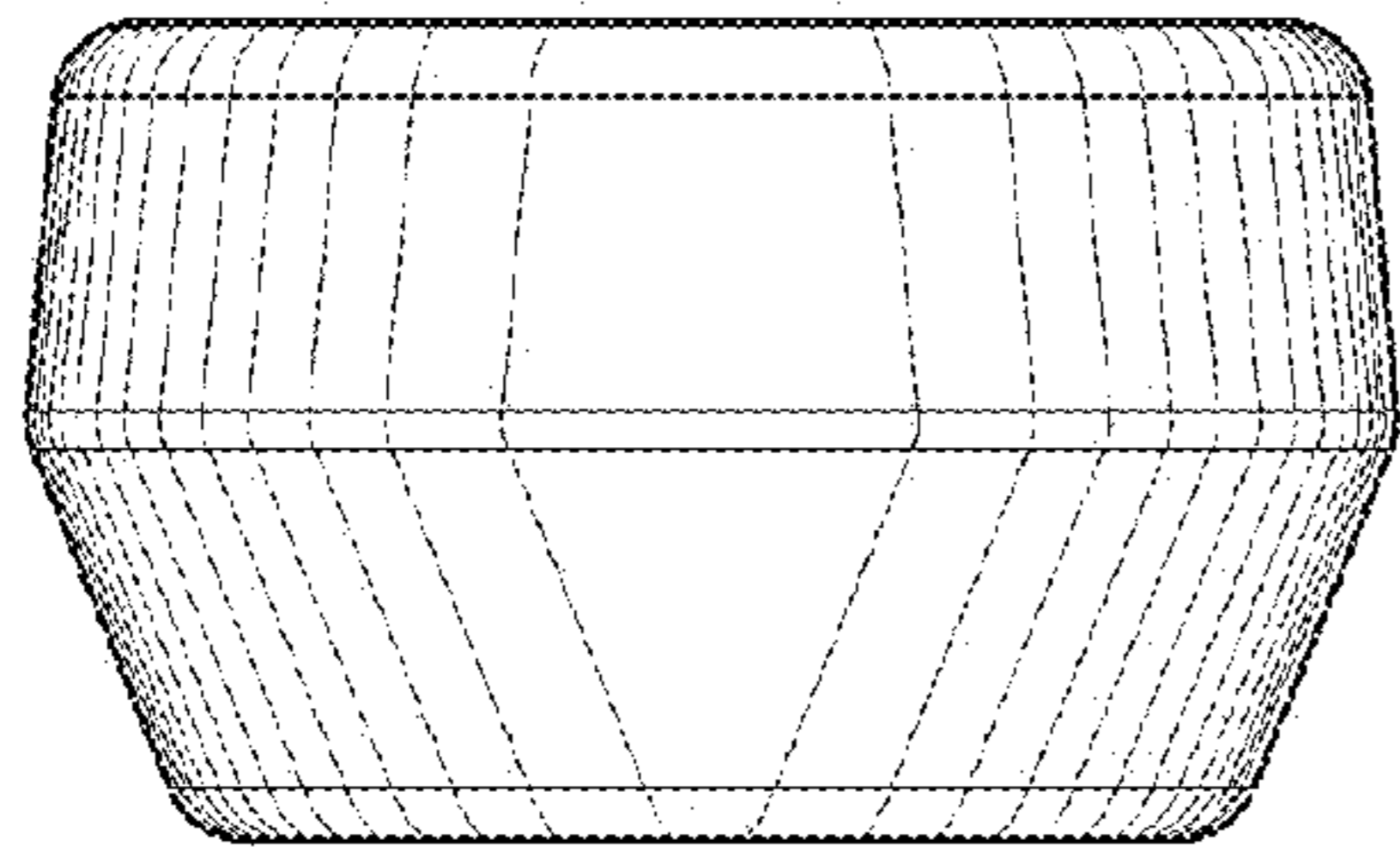
\* cited by examiner



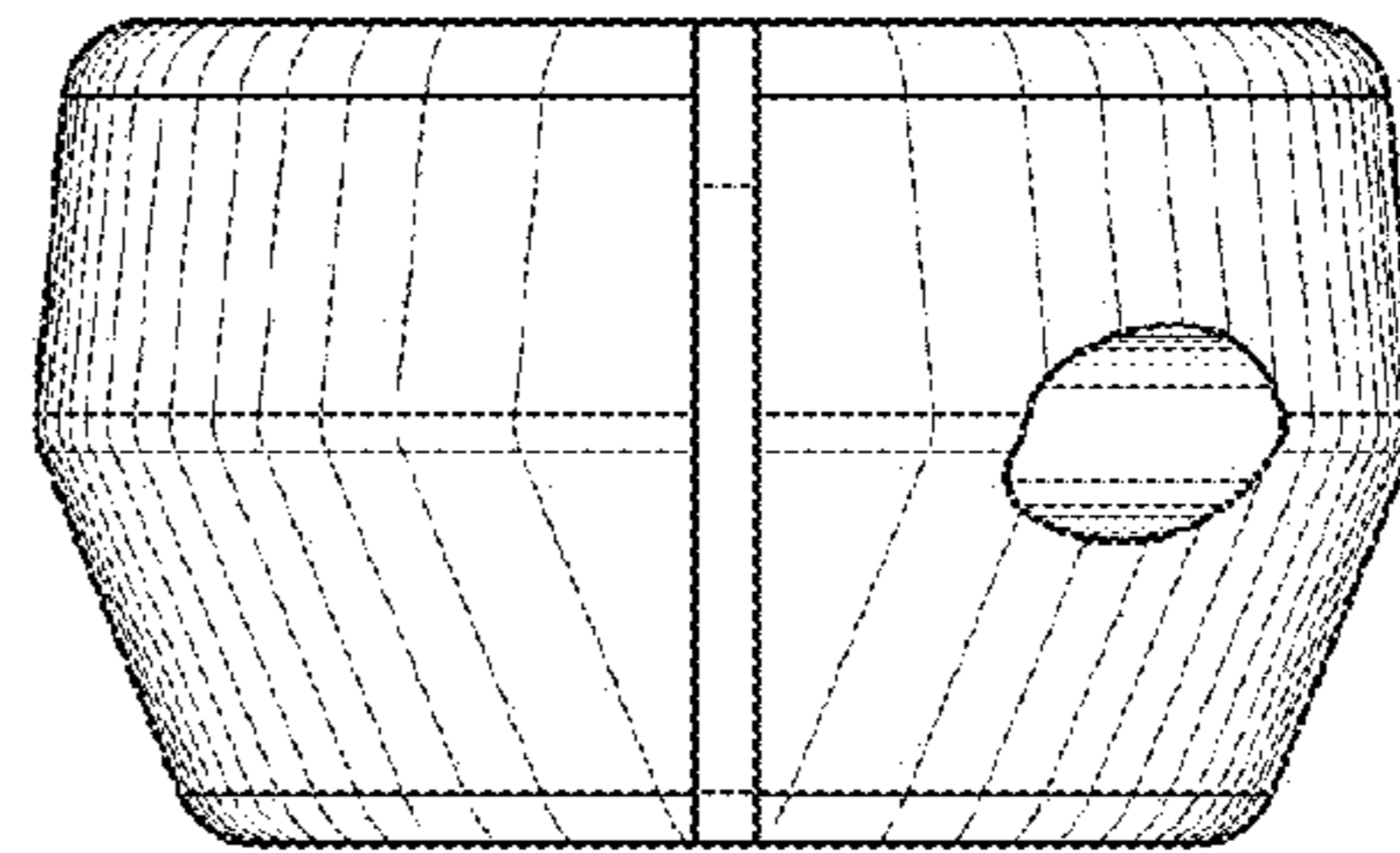
*Fig. 1*



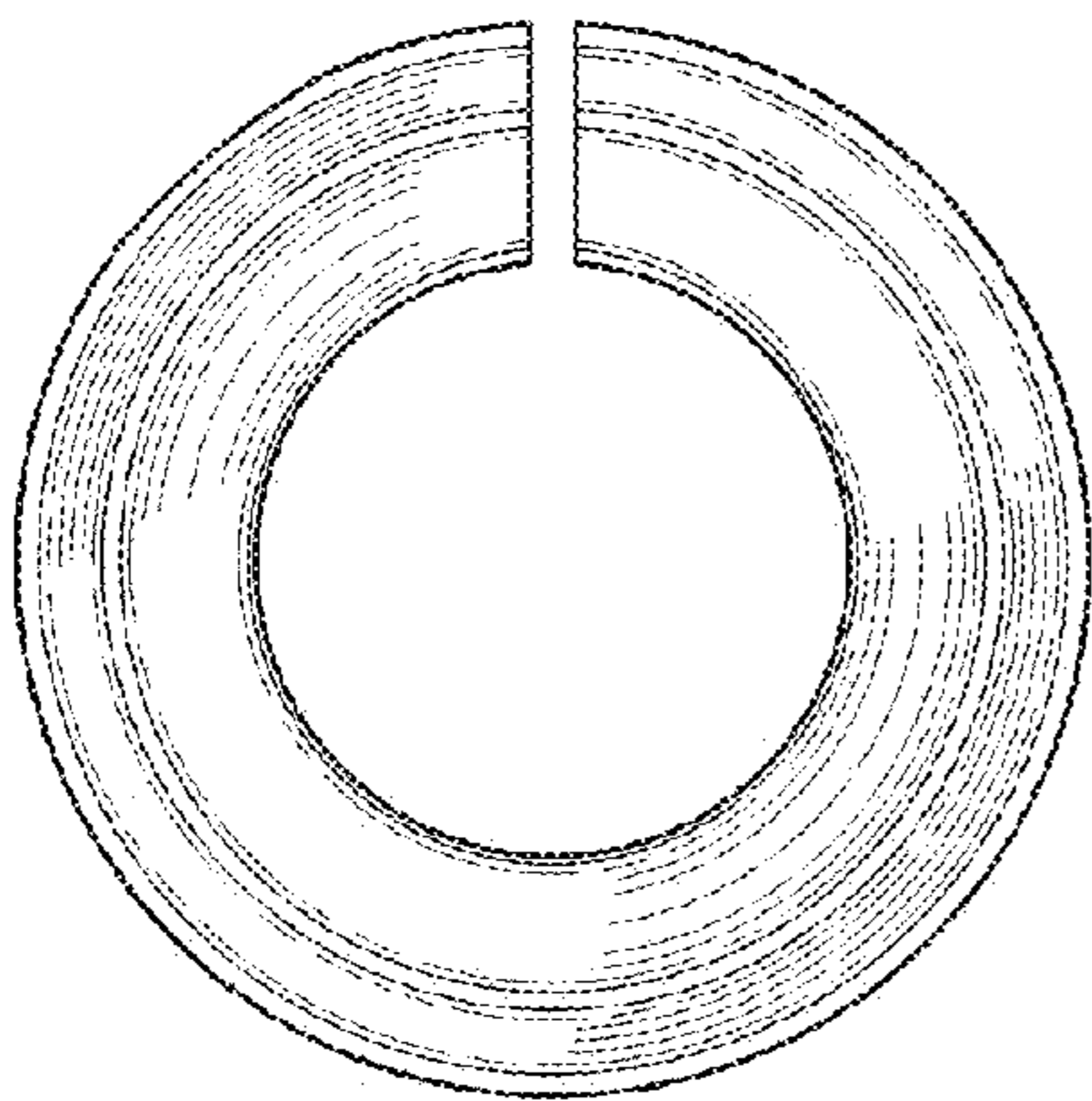
*Fig. 2*



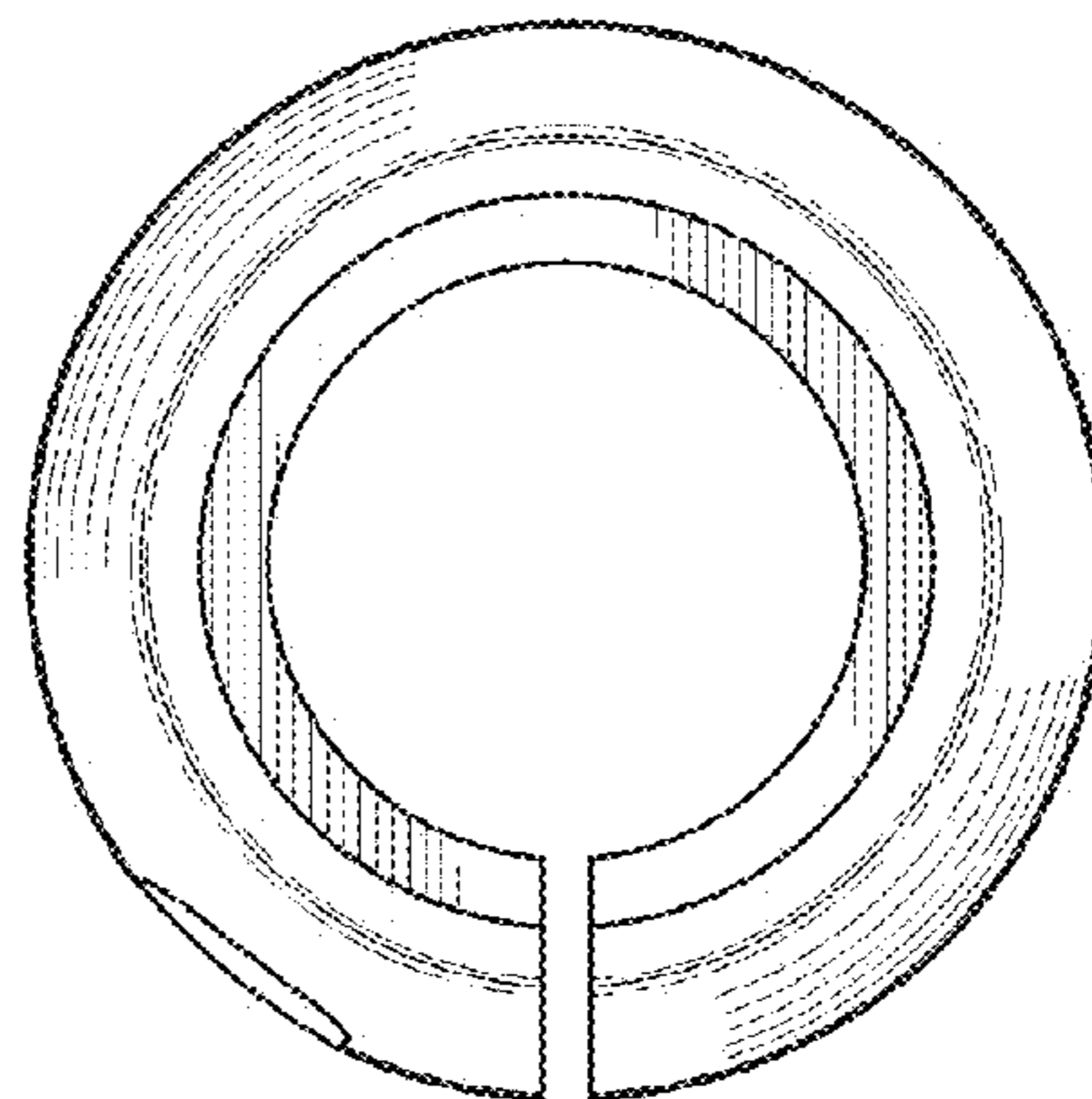
*Fig. 3*



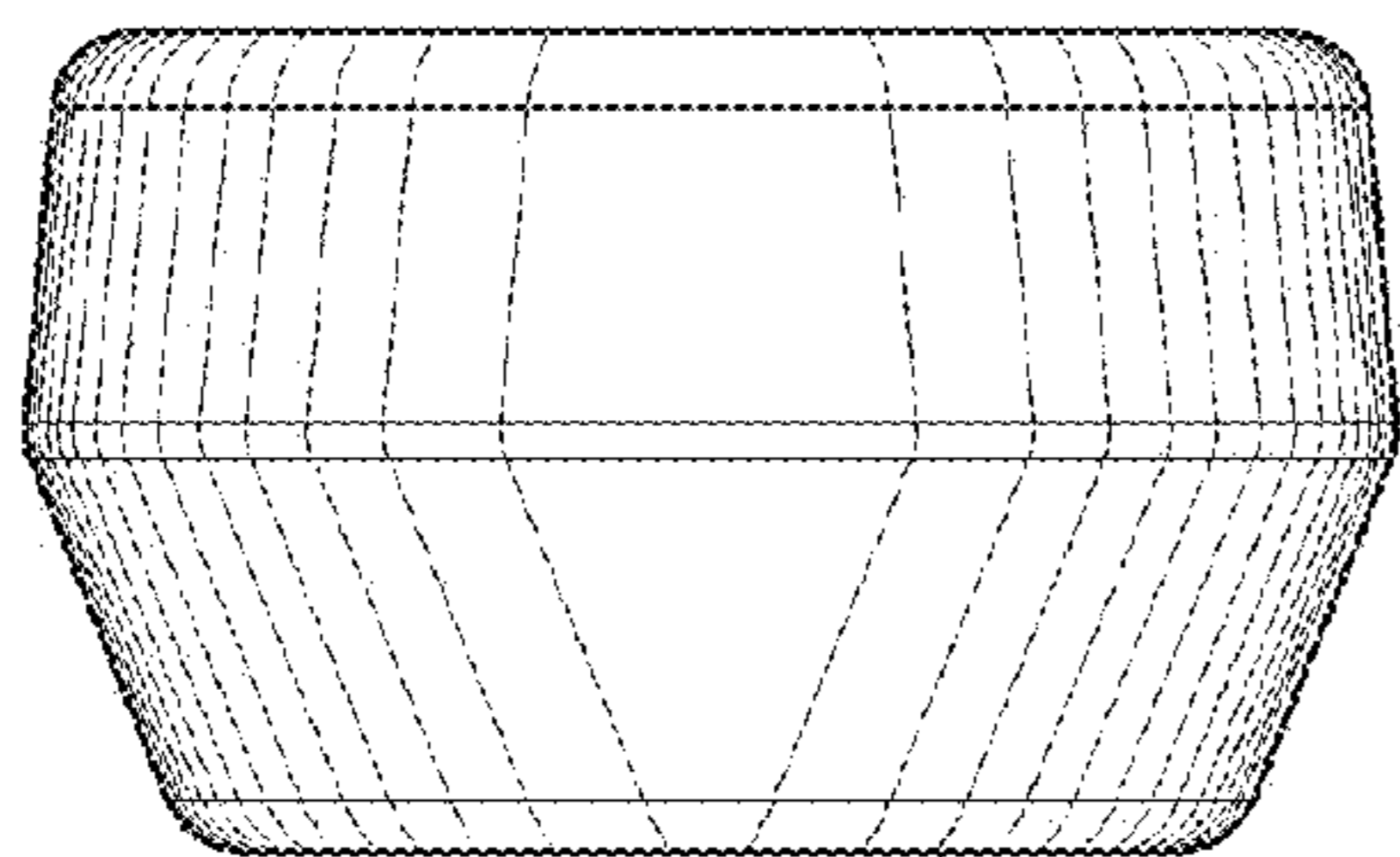
*Fig. 4*



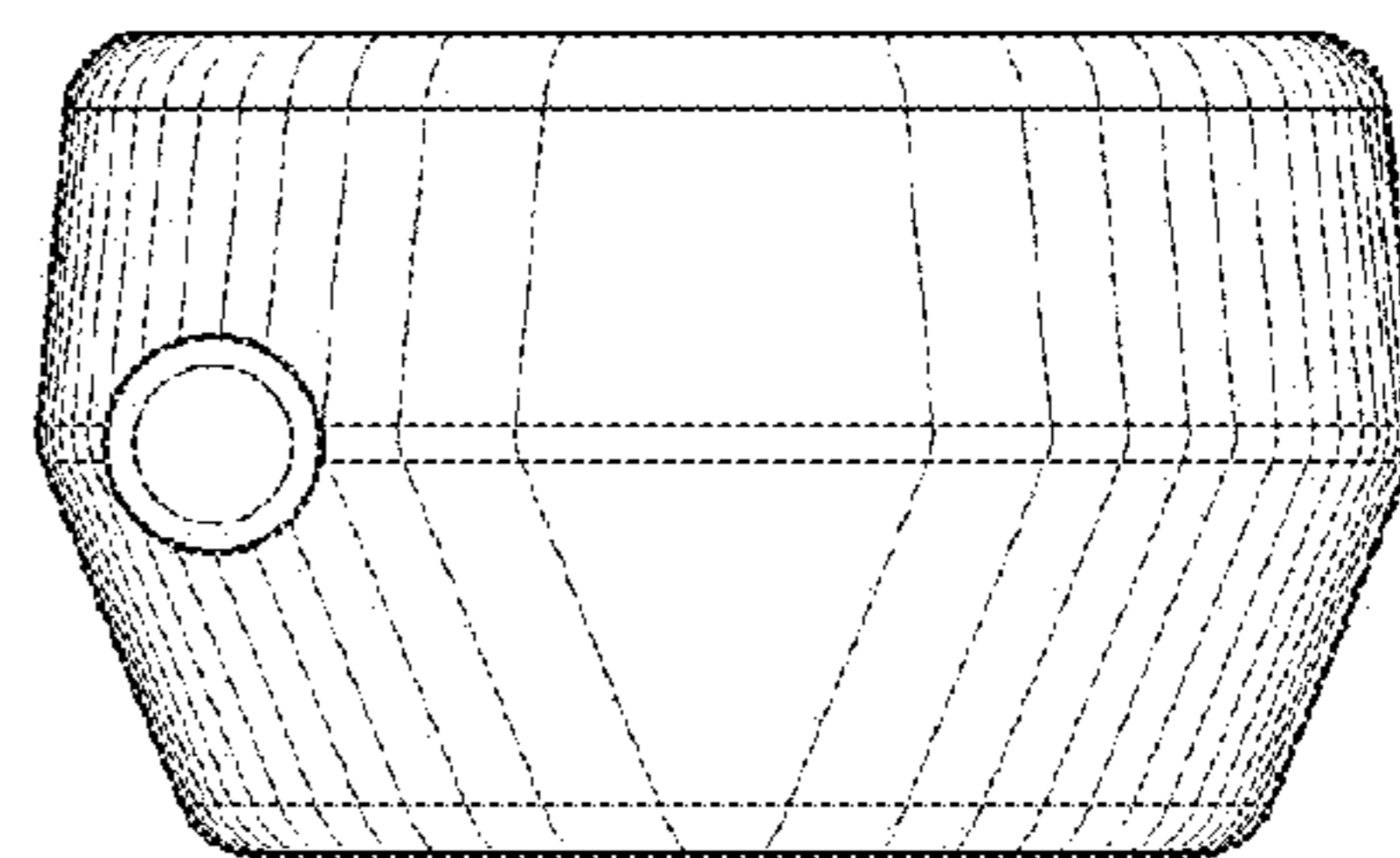
*Fig. 5*



*Fig. 6*



*Fig. 7*



*Fig. 8*