



US00D665465S

(12) **United States Design Patent**  
**Hsieh**

(10) **Patent No.:** **US D665,465 S**

(45) **Date of Patent:** **\*\* Aug. 14, 2012**

(54) **STEP BOARD**

(76) Inventor: **Sheng-Tsai Hsieh**, New Taipei (TW)

(\*\*) Term: **14 Years**

(21) Appl. No.: **29/404,273**

(22) Filed: **Oct. 18, 2011**

(51) **LOC (9) Cl.** ..... **21-01**

(52) **U.S. Cl.** ..... **D21/423; D21/771**

(58) **Field of Classification Search** ..... D21/419,  
D21/421, 423, 424, 426, 433, 435, 533, 538,  
D21/760, 765, 771; D12/107, 111-113,  
D12/114, 117, 118-121; 280/87.021, 87.041,  
280/217, 221, 239, 254, 258, 263, 282, 288.1-288.4;  
180/180, 181

See application file for complete search history.

(56) **References Cited**

**U.S. PATENT DOCUMENTS**

2,723,131	A *	11/1955	McChesney	.....	280/221
D210,087	S *	2/1968	Higgins	.....	D21/423
6,572,128	B2 *	6/2003	Graf	.....	280/221
6,857,648	B2 *	2/2005	Mehmet	.....	280/217
D579,987	S *	11/2008	Hong	.....	D21/423
7,581,742	B2 *	9/2009	Chiu et al.	.....	280/252
D624,136	S *	9/2010	Chen	.....	D21/760
7,793,956	B2 *	9/2010	Hsu	.....	280/221
D630,282	S *	1/2011	Ebanks	.....	D21/771
2008/0088109	A1 *	4/2008	Chiu et al.	.....	280/221

\* cited by examiner

*Primary Examiner* — Cynthia M Chin

(74) *Attorney, Agent, or Firm* — C. G. Mersereau; Nikolai & Mersereau, P.A.

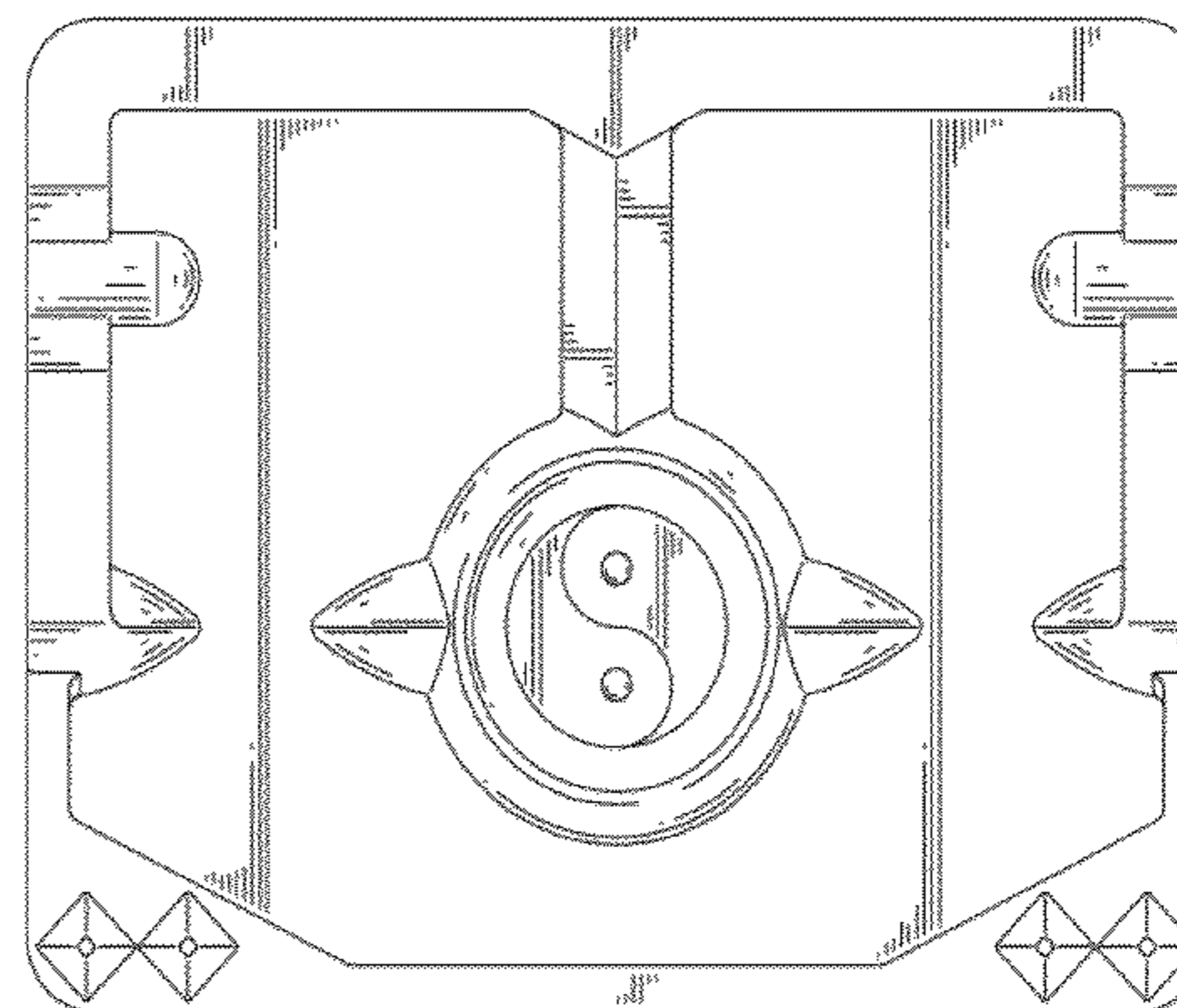
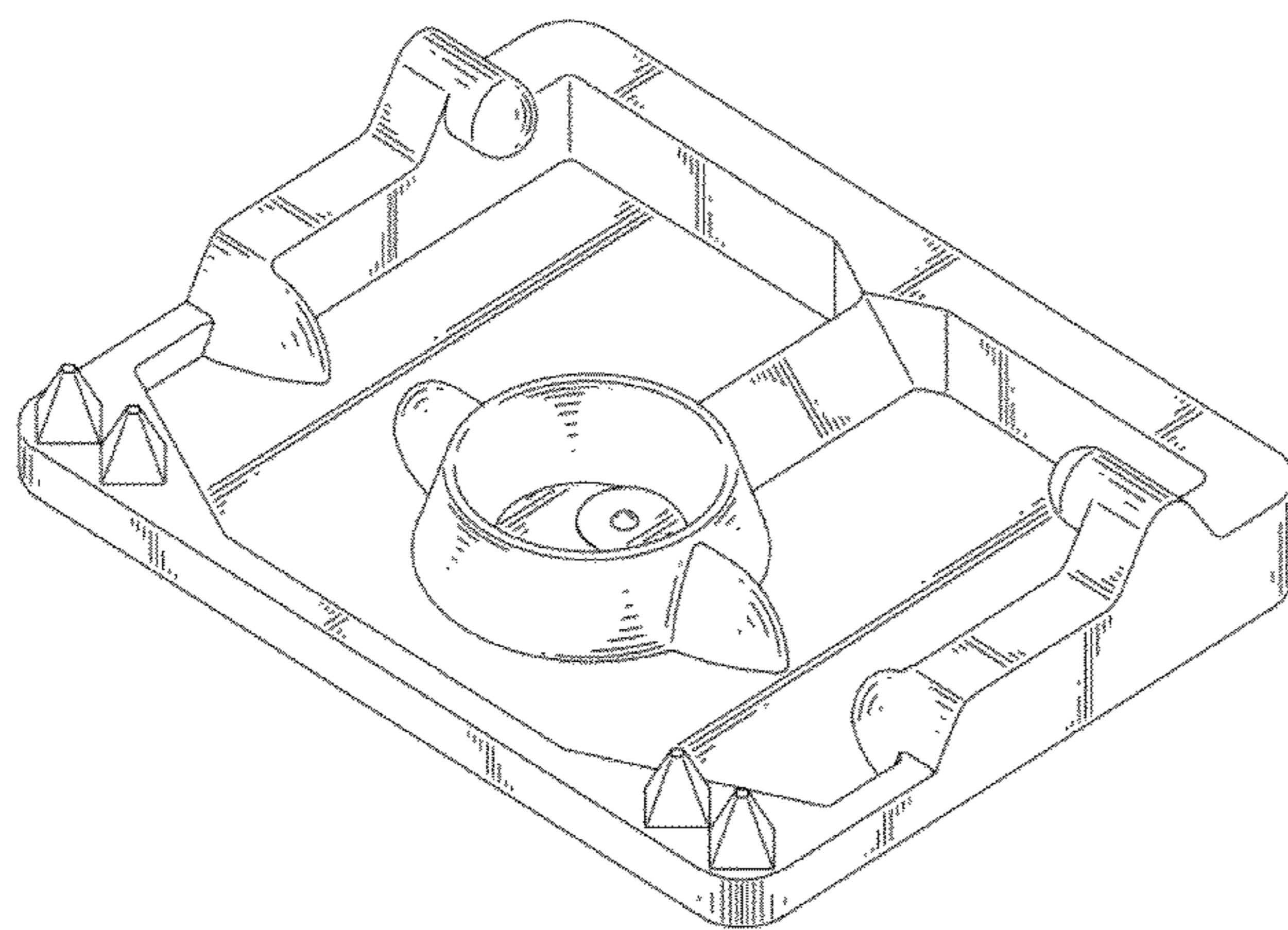
(57) **CLAIM**

The ornamental design for a step board, as shown.

**DESCRIPTION**

FIG. 1 is a perspective view of a step board showing my new design;  
 FIG. 2 is a front view thereof;  
 FIG. 3 is a rear view thereof;  
 FIG. 4 is a left side view thereof;  
 FIG. 5 is a right side view thereof;  
 FIG. 6 is a top view thereof;  
 FIG. 7 is a bottom view thereof;  
 FIG. 8 is another perspective view thereof;  
 FIG. 9 is a cross sectional view thereof along line 9-9 in FIG. 8;  
 FIG. 10 is a cross sectional view thereof along line 10-10 in FIG. 8;  
 FIG. 11 is a cross sectional view thereof along line 11-11 in FIG. 8; and,  
 FIG. 12 is a cross sectional view thereof along line 12-12 in FIG. 8.

**1 Claim, 7 Drawing Sheets**



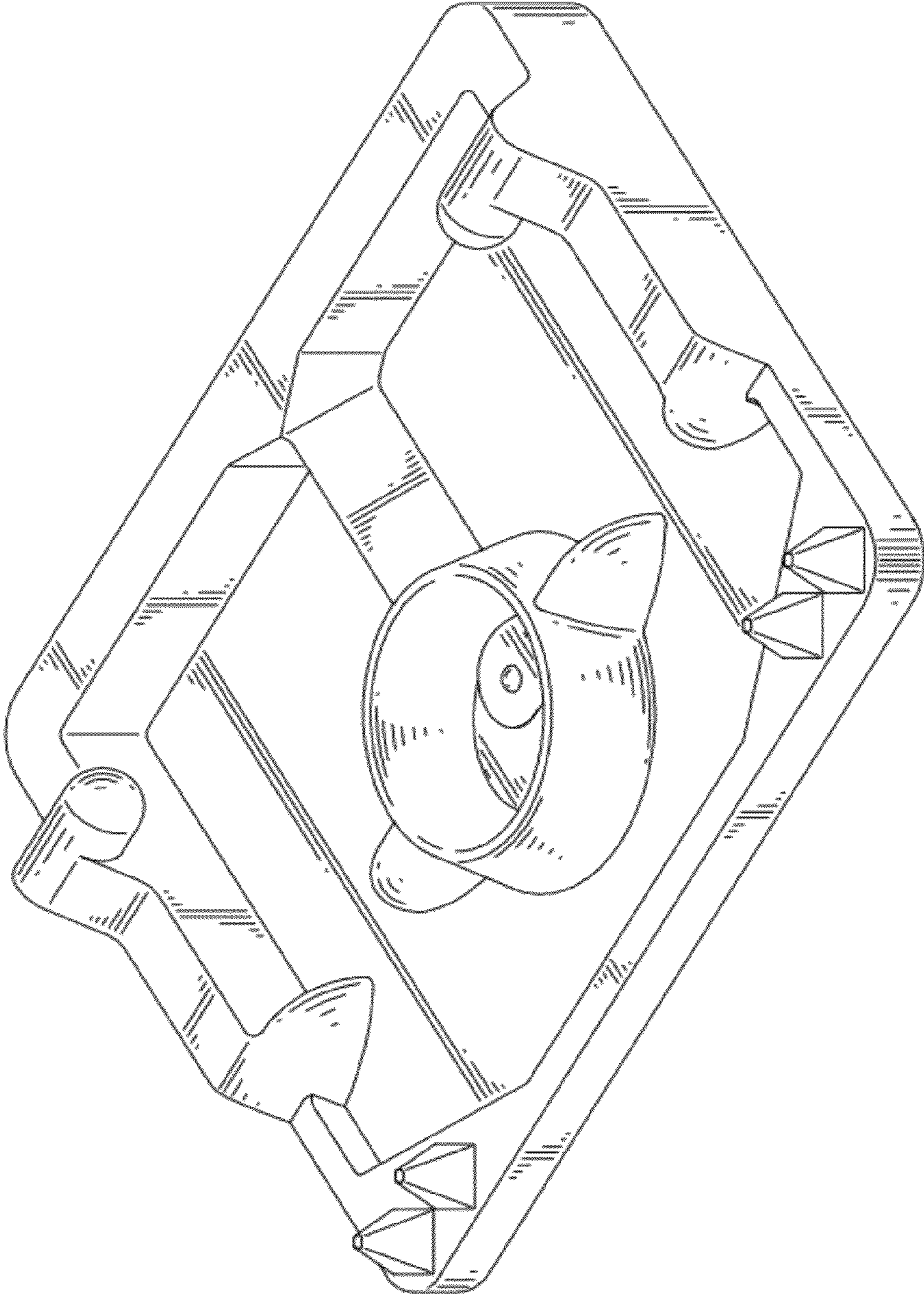


FIG.1

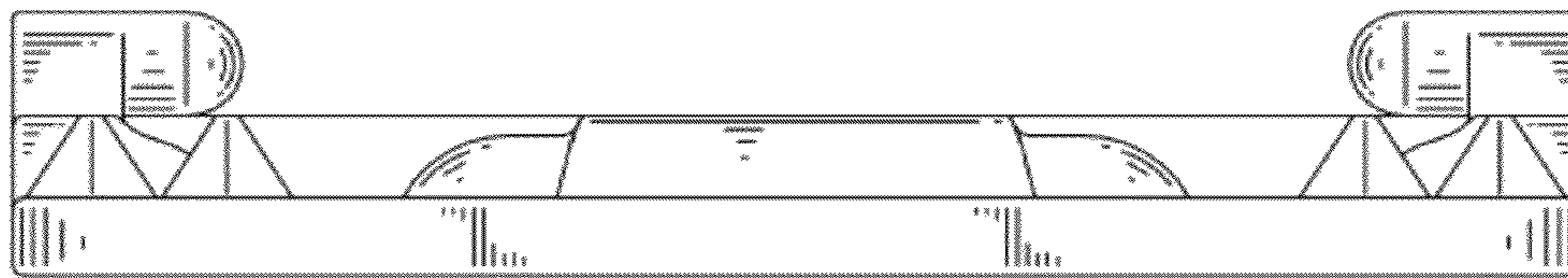


FIG. 2

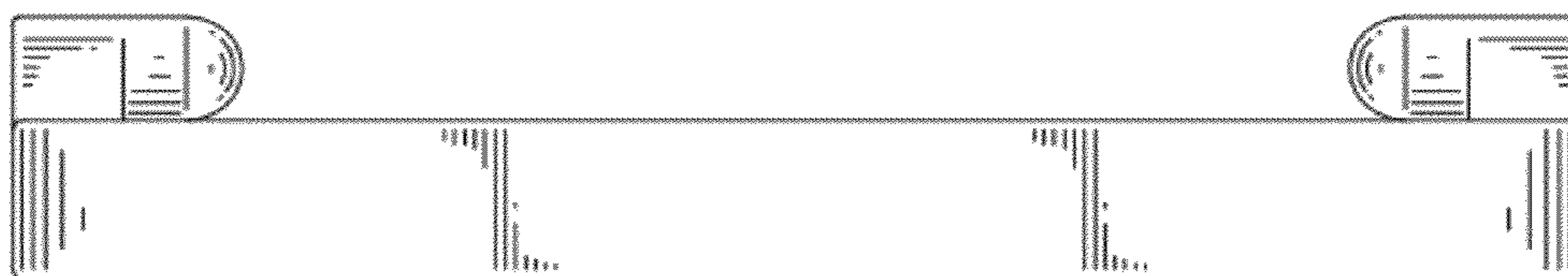


FIG. 3

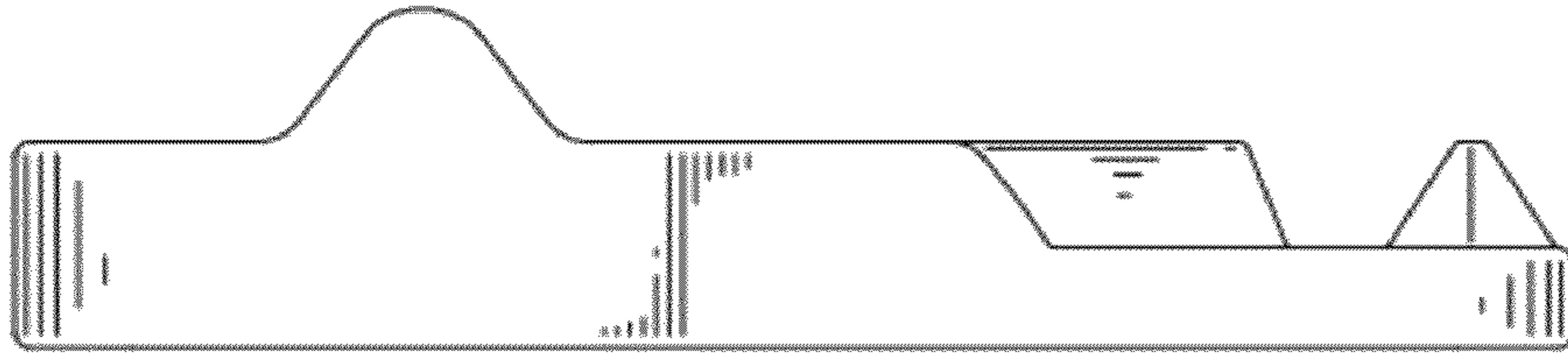


FIG. 4

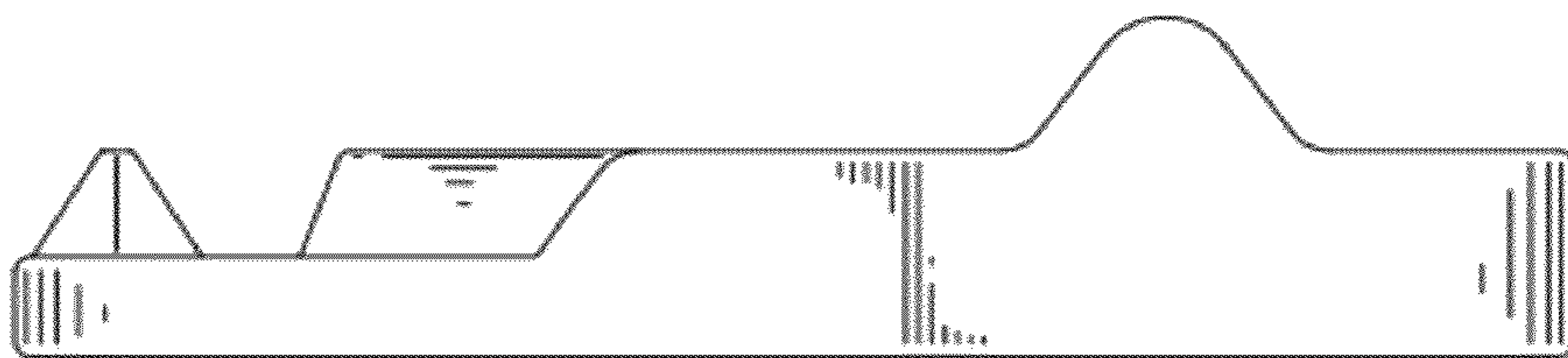


FIG. 5

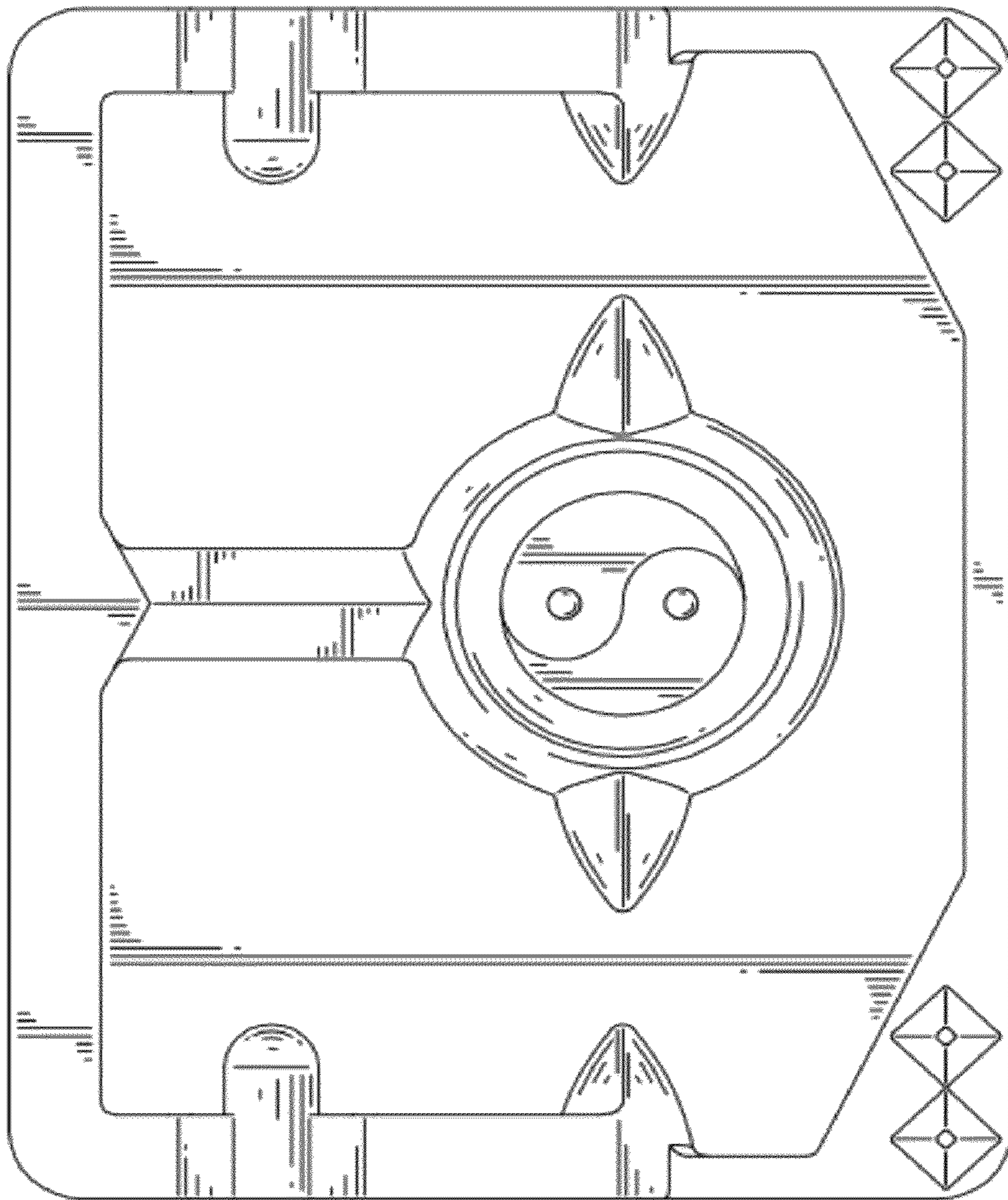


FIG.6

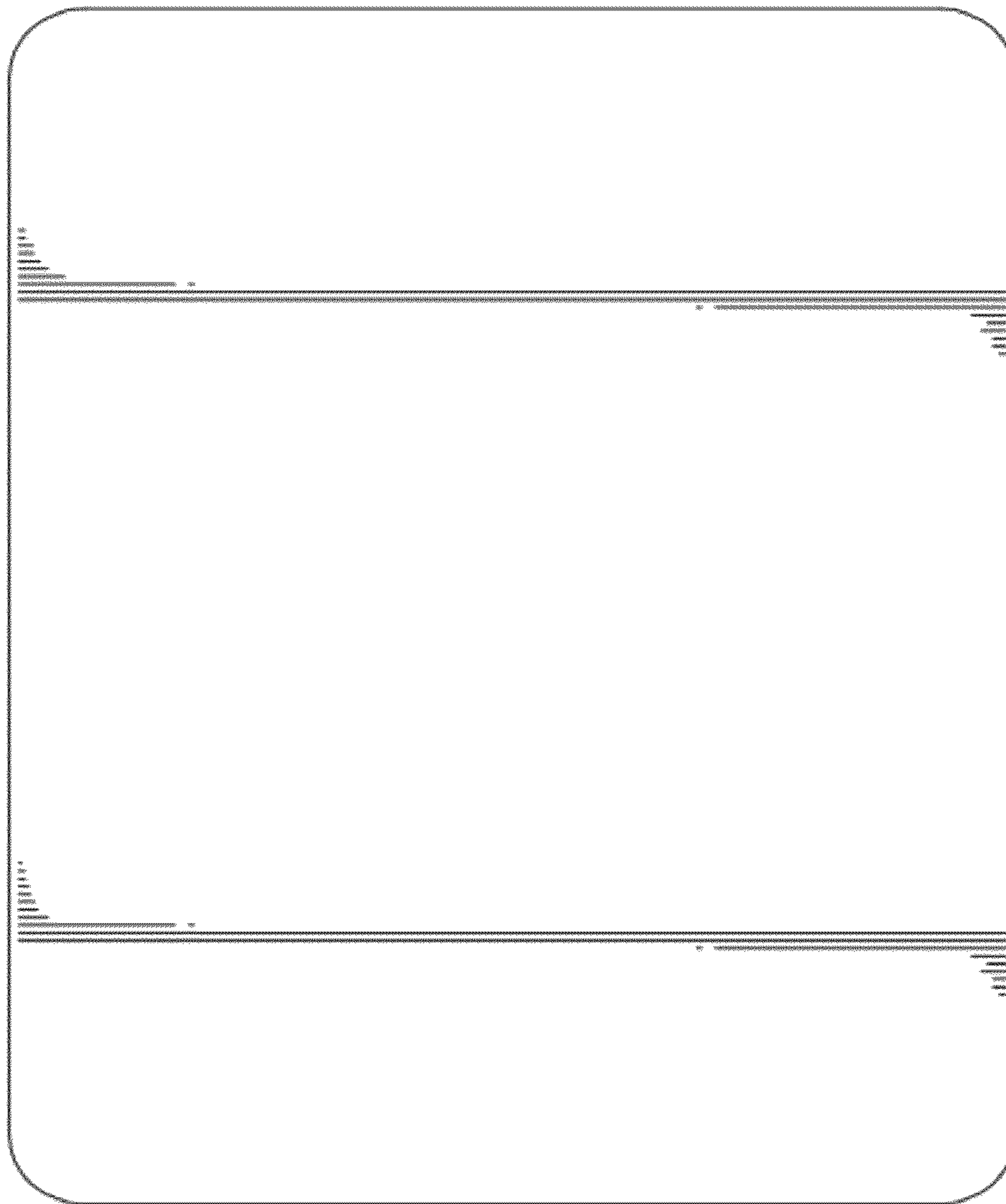


FIG. 7

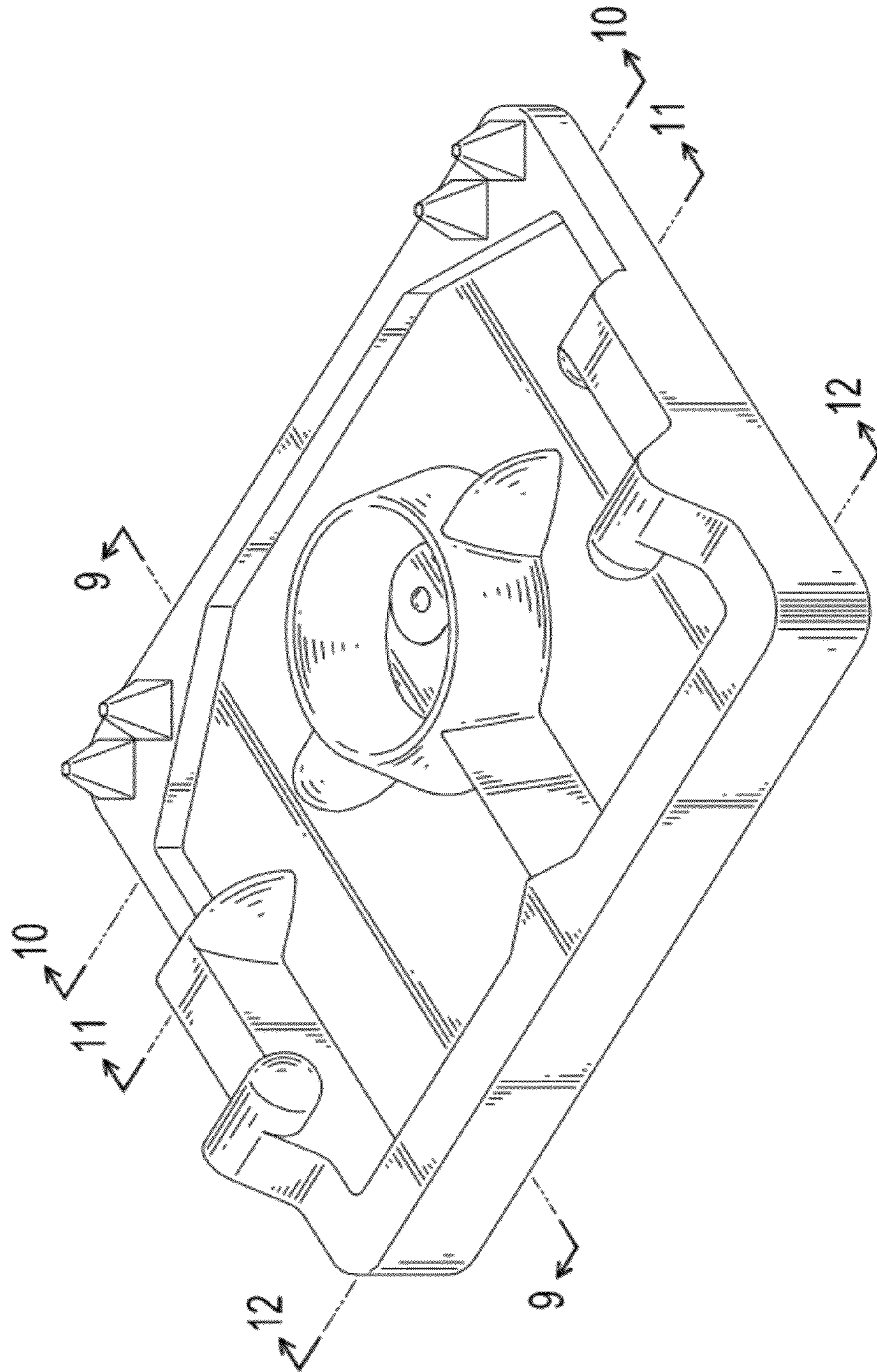


FIG.8

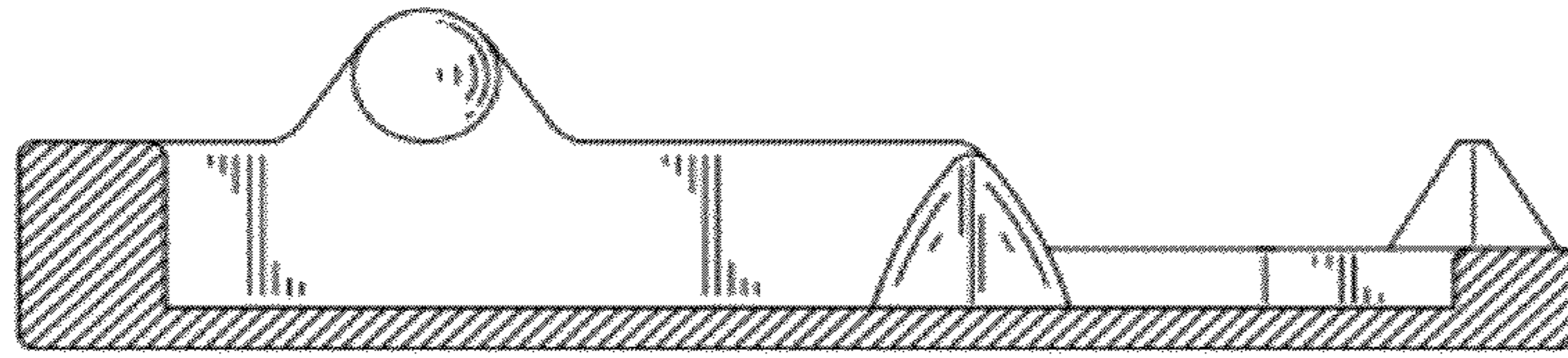


FIG. 9

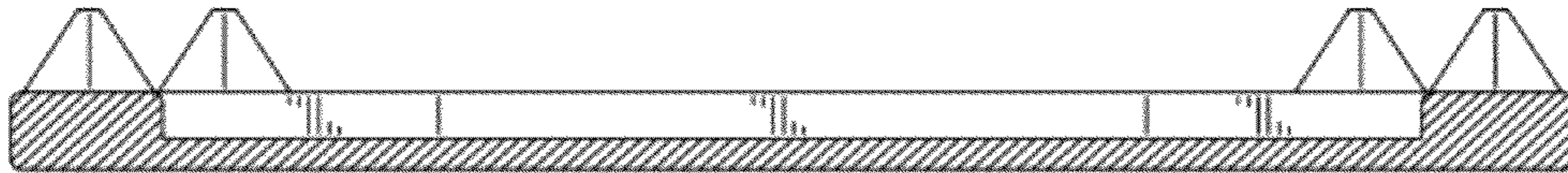


FIG. 10

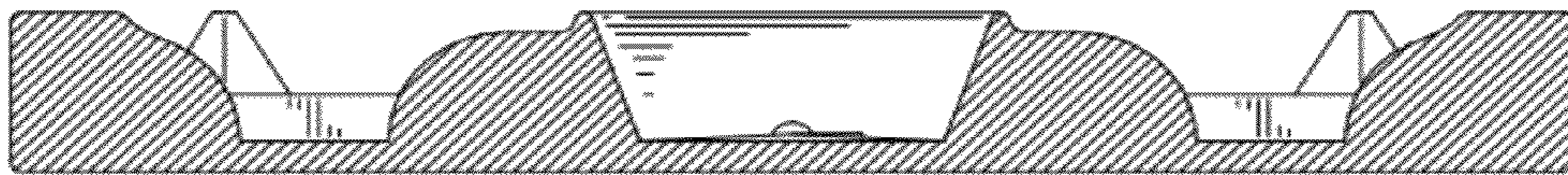


FIG. 11

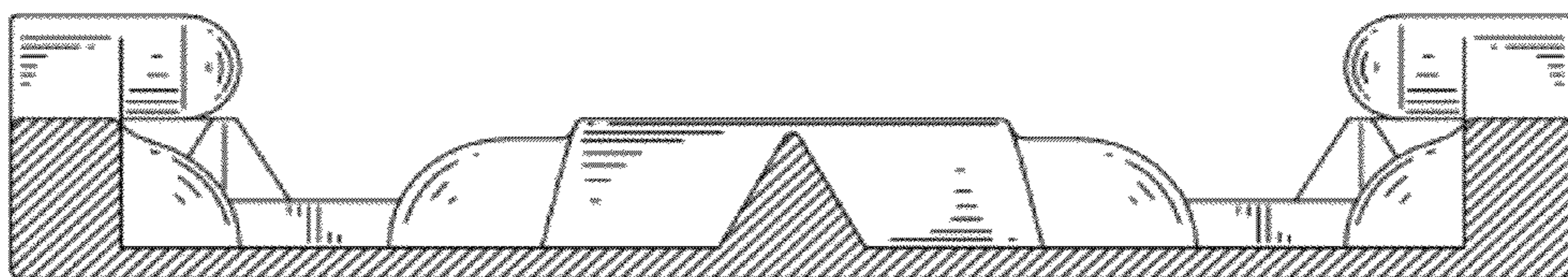


FIG. 12