



US00D665461S

(12) **United States Design Patent**
Ikeda et al.

(10) **Patent No.:** **US D665,461 S**
(45) **Date of Patent:** **** Aug. 14, 2012**

(54) **GAME CONTROLLER**

(75) Inventors: **John Ikeda**, Seattle, WA (US); **Scott Harold Wilson**, Chicago, IL (US); **Dennis Matthew Puhalla**, Chicago, IL (US); **Brett D. Christie**, Seattle, WA (US)

(73) Assignee: **Microsoft Corporation**, Redmond, WA (US)

(**) Term: **14 Years**

(21) Appl. No.: **29/393,643**

(22) Filed: **Jun. 7, 2011**

(51) **LOC (9) Cl.** **21-01**

(52) **U.S. Cl.** **D21/333; D14/400**

(58) **Field of Classification Search** D21/324,
D21/328, 333, 385, 477, 566; D14/399-402,
D14/412, 414, 416, 432; 273/148 B, 449,
273/441, 442; 463/1, 29-35, 46, 47; 345/156,
345/161; 434/45, 46; 362/23, 362; 359/407;
D16/133

See application file for complete search history.

(56) **References Cited**

U.S. PATENT DOCUMENTS

D179,088	S	*	10/1956	Klein	D16/133
3,155,323	A	*	11/1964	Deppe	362/205
3,277,303	A	*	10/1966	Jensen et al.	398/132
D240,458	S	*	7/1976	Takah et al.	D16/133
4,984,879	A	*	1/1991	Plunkett	359/408
5,327,287	A	*	7/1994	Atchley	359/599
5,829,745	A	*	11/1998	Houle	273/148 B
D424,000	S		5/2000	An et al.		
6,544,124	B2	*	4/2003	Ireland et al.	463/37
D497,365	S	*	10/2004	Hussaini et al.	D14/414
6,976,677	B1	*	12/2005	McVicar	273/148 B
D517,124	S	*	3/2006	Merril et al.	D21/324
D522,516	S	*	6/2006	Hussaini et al.	D14/414

D558,651	S		1/2008	Ikeda et al.		
7,316,618	B2	*	1/2008	Hsu	463/37
D562,323	S	*	2/2008	Kutaragi et al.	D14/401
D566,781	S		4/2008	Ikeda et al.		
D568,409	S		5/2008	Ikeda et al.		
D586,865	S	*	2/2009	Ko et al.	D21/333
7,562,832	B1	*	7/2009	Anderson	239/64
D615,131	S	*	5/2010	Biheller	D21/333
D639,865	S	*	6/2011	Sogabe et al.	D21/333
D641,797	S	*	7/2011	Chen	D21/333

OTHER PUBLICATIONS

Steering Wheel for iPhone and iPad Touch by CTA Digital disclosed Oct. 2009, [online], [retrieved on Nov. 8, 2011]. Retrieved from Internet, <UFL:http://technology.nicefun.net/tag/racing/>.

* cited by examiner

Primary Examiner — Prabhakar Deshmukh

(74) *Attorney, Agent, or Firm* — Banner & Witcoff, Ltd.

(57) **CLAIM**

The ornamental design for a game controller, as shown and described.

DESCRIPTION

FIG. 1 is a front perspective view of the game controller showing our new design in an illuminated state;

FIG. 2 is a bottom view thereof;

FIG. 3 is a top view thereof;

FIG. 4 is a right side view thereof;

FIG. 5 is a left side view thereof;

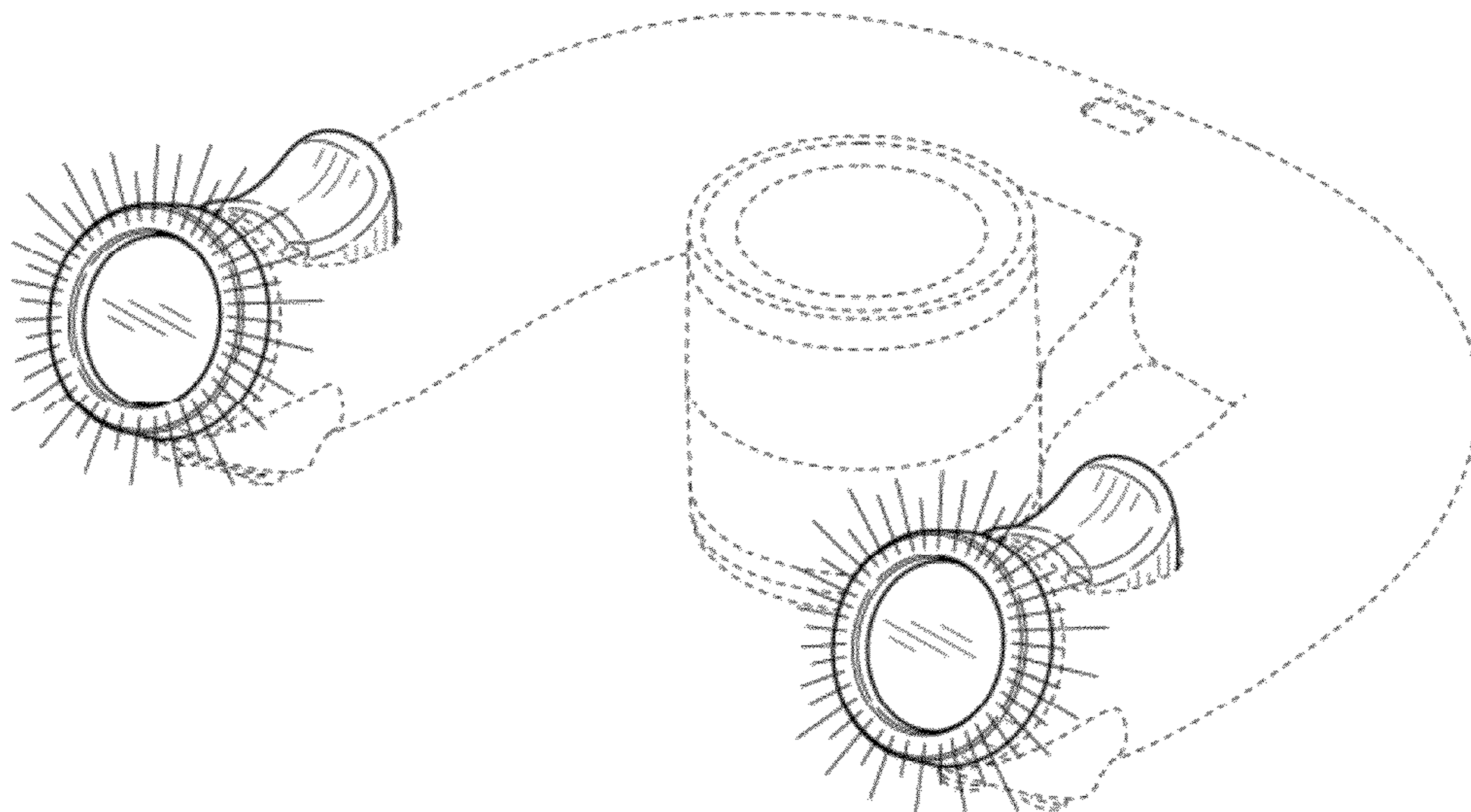
FIG. 6 is a front view thereof;

FIG. 7 is a rear view thereof; and,

FIG. 8 is a rear perspective view thereof.

The broken line showing of the remainder of the controller is for the purpose of illustrating unclaimed portions and forms no part of the claimed design. The radiating lines emanating from the two ring-shaped regions represent illumination.

1 Claim, 5 Drawing Sheets



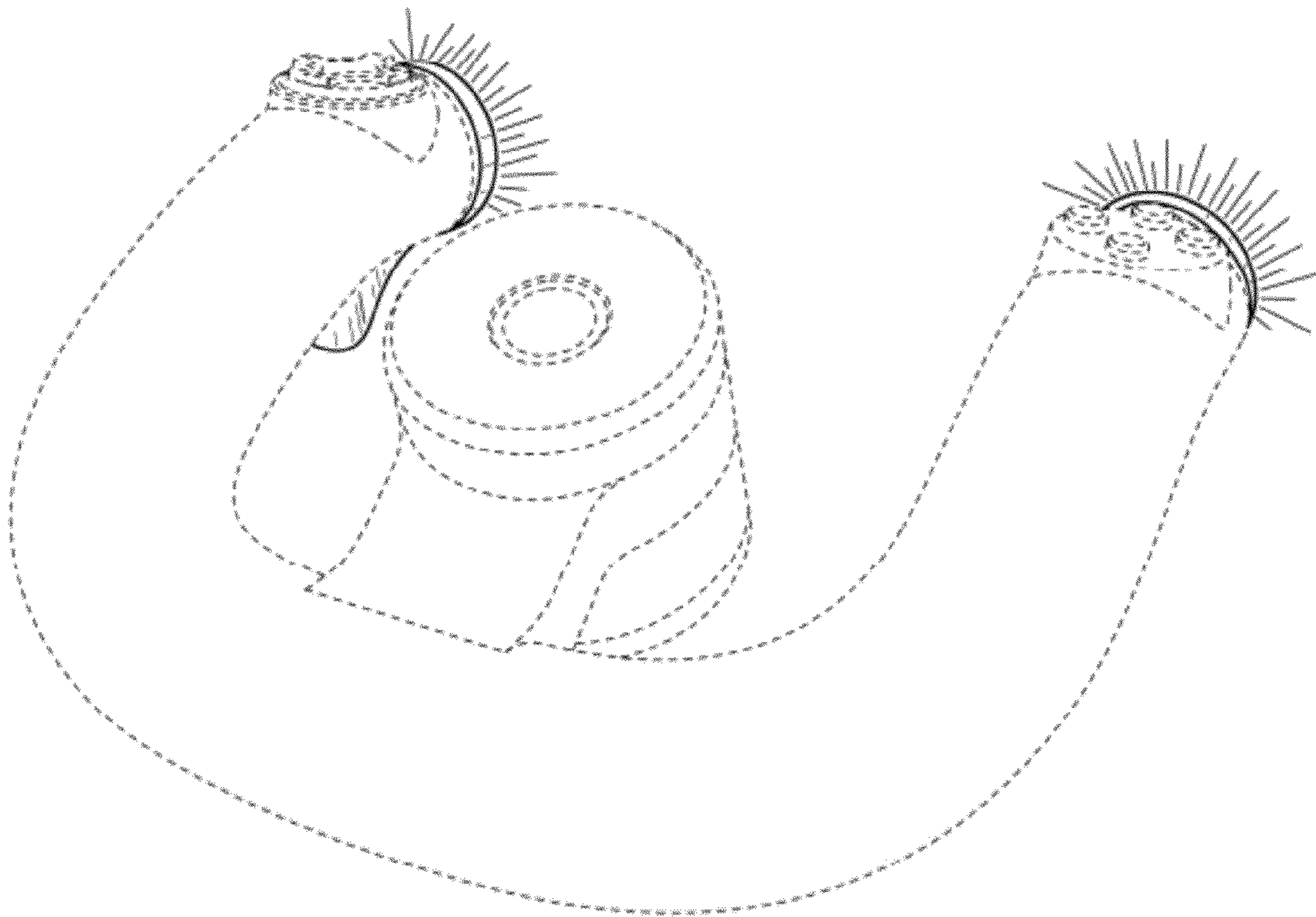


FIG. 1

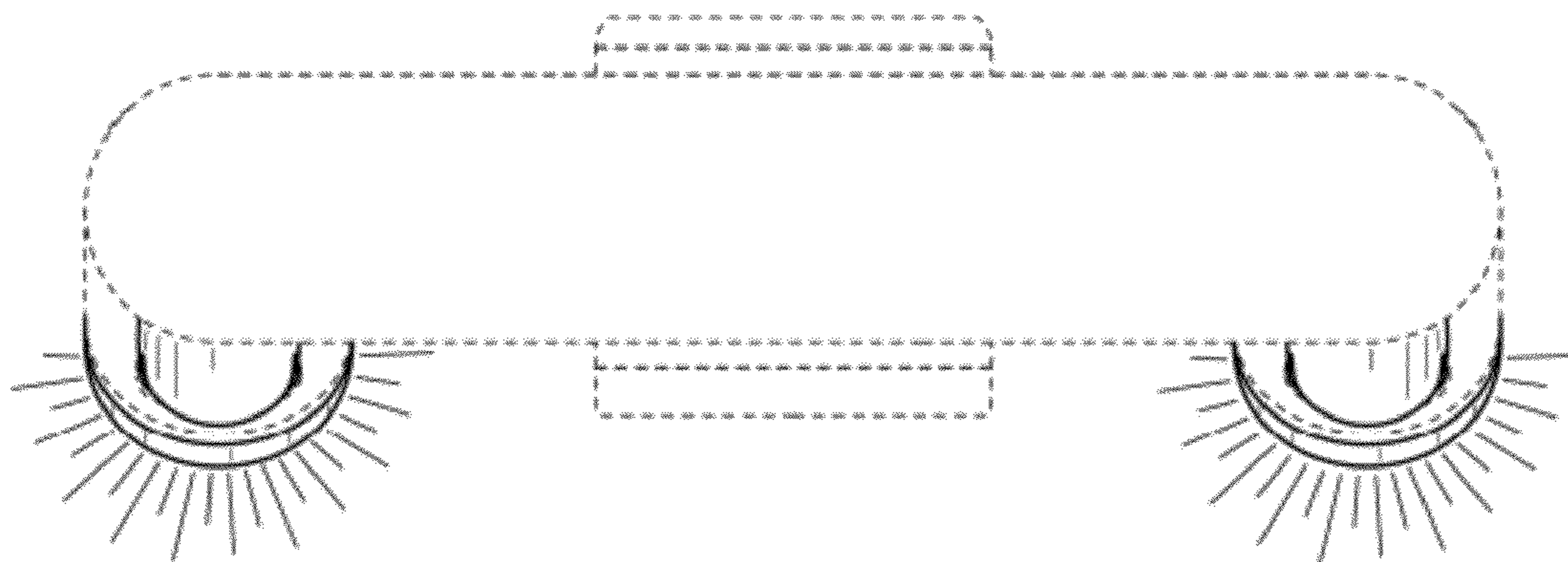


FIG. 2

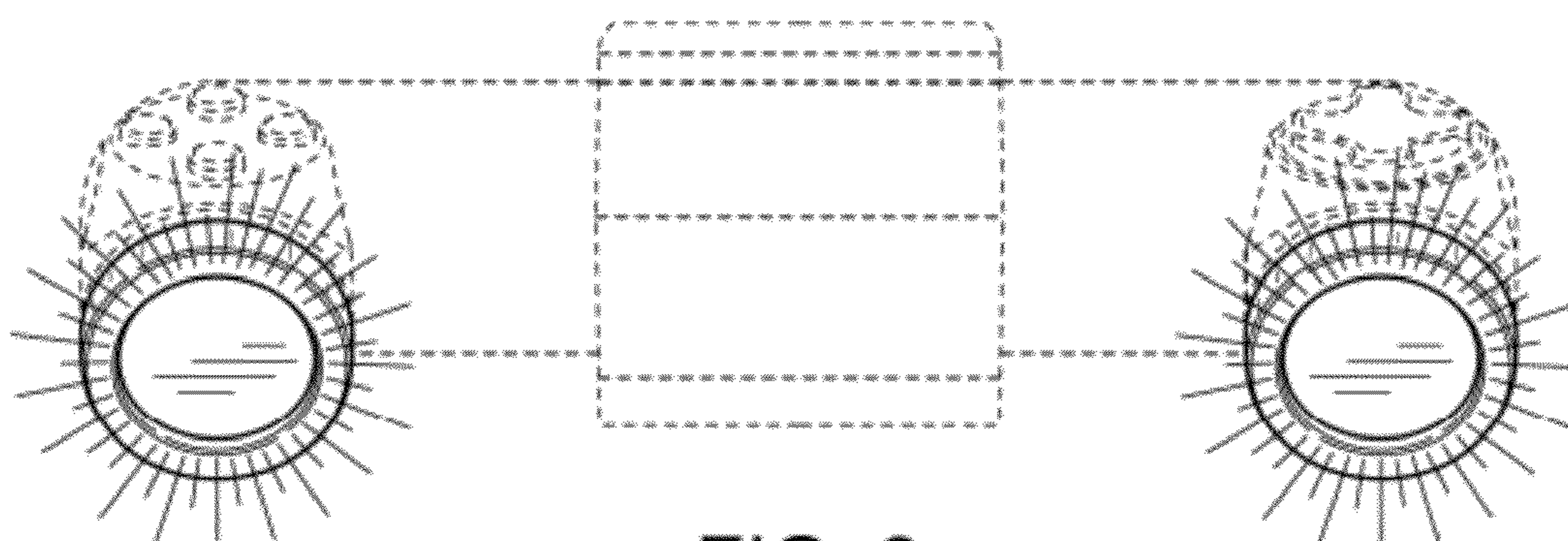


FIG. 3

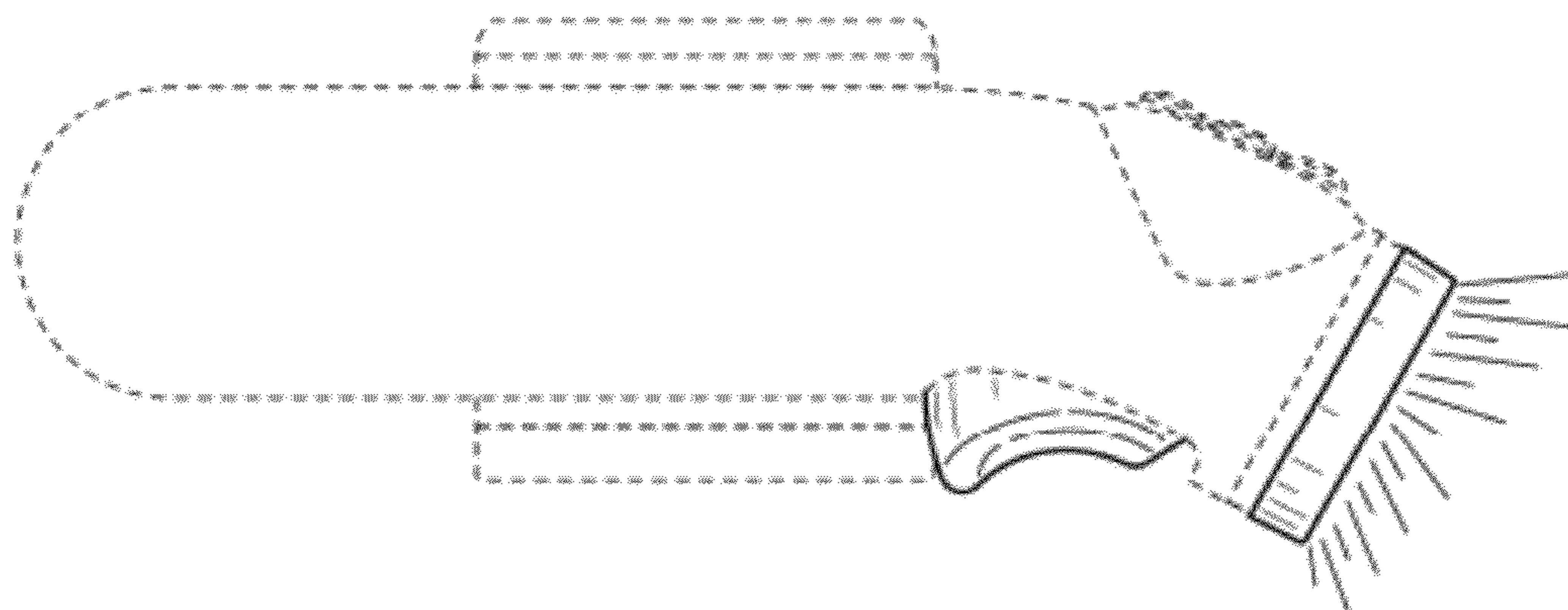


FIG. 4

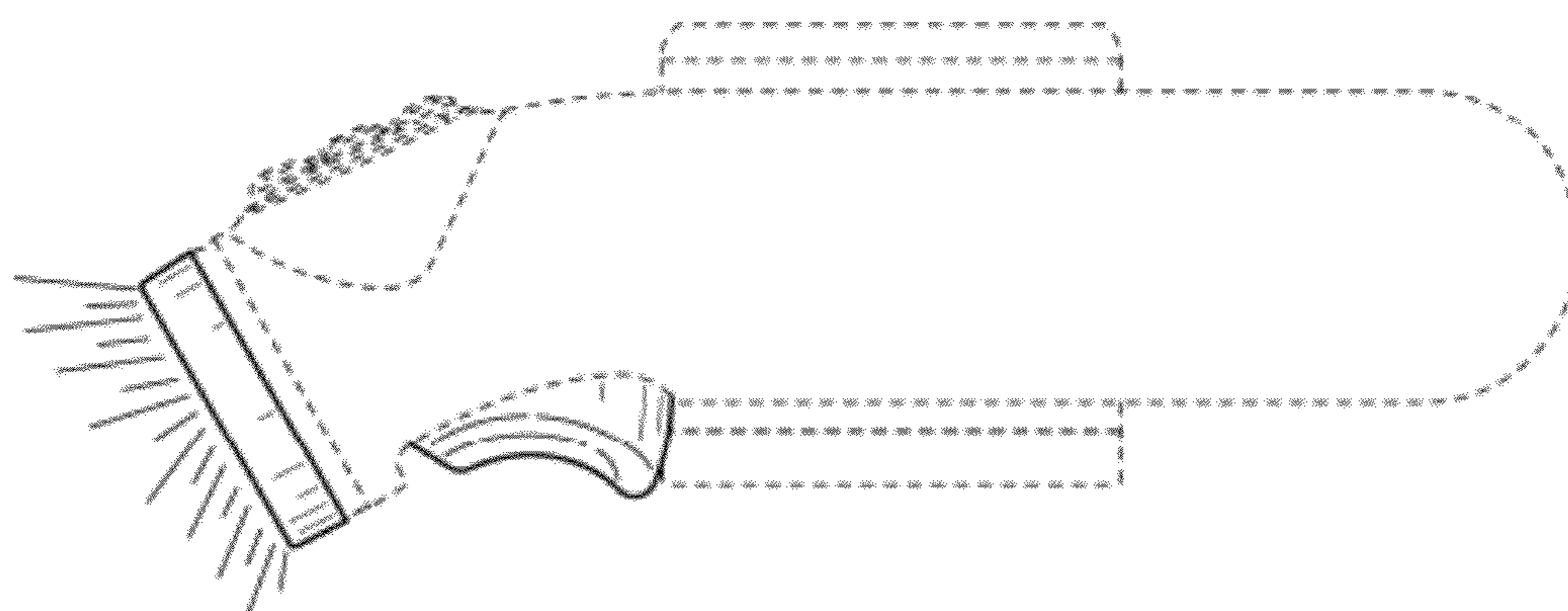


FIG. 5

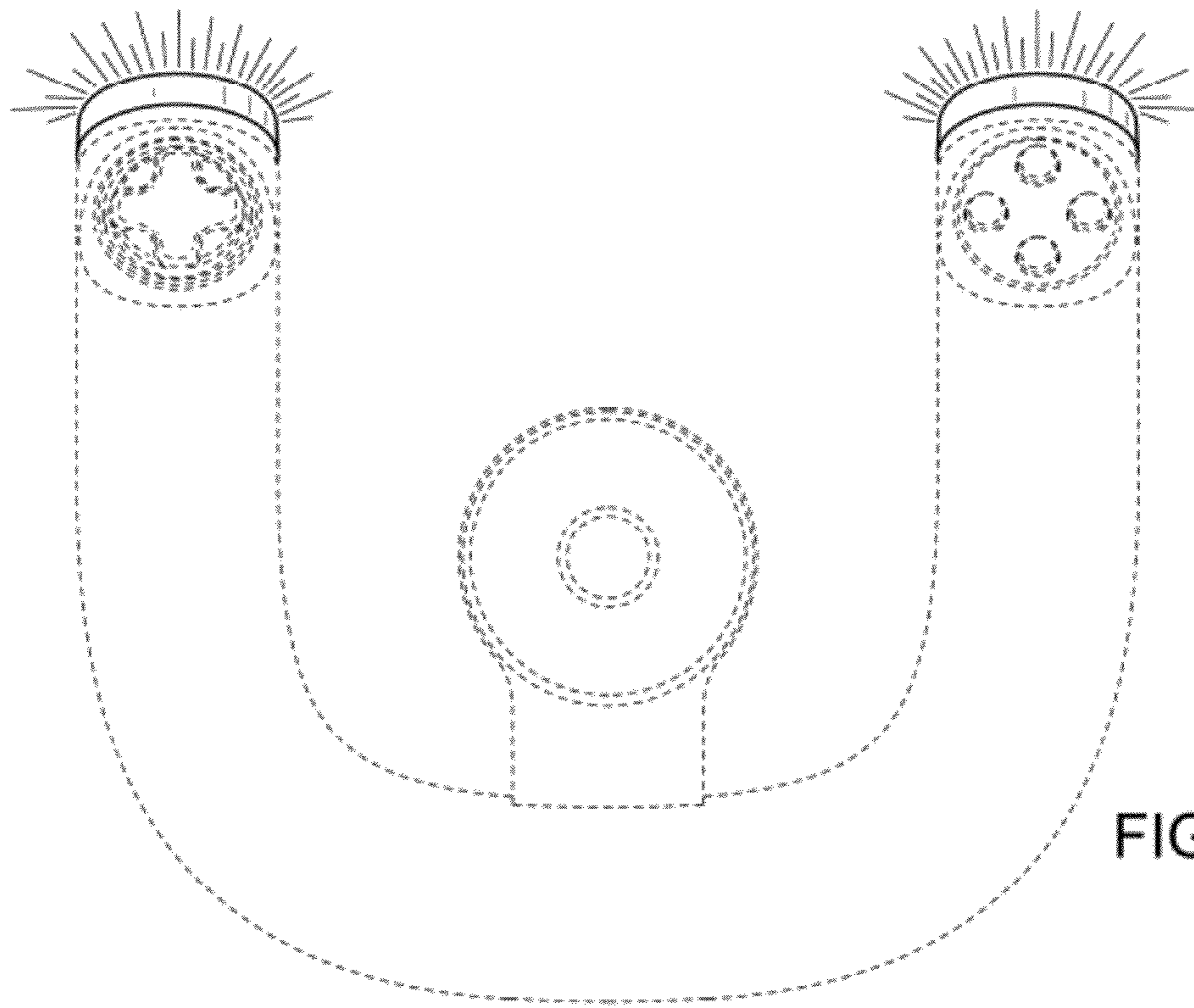


FIG. 6

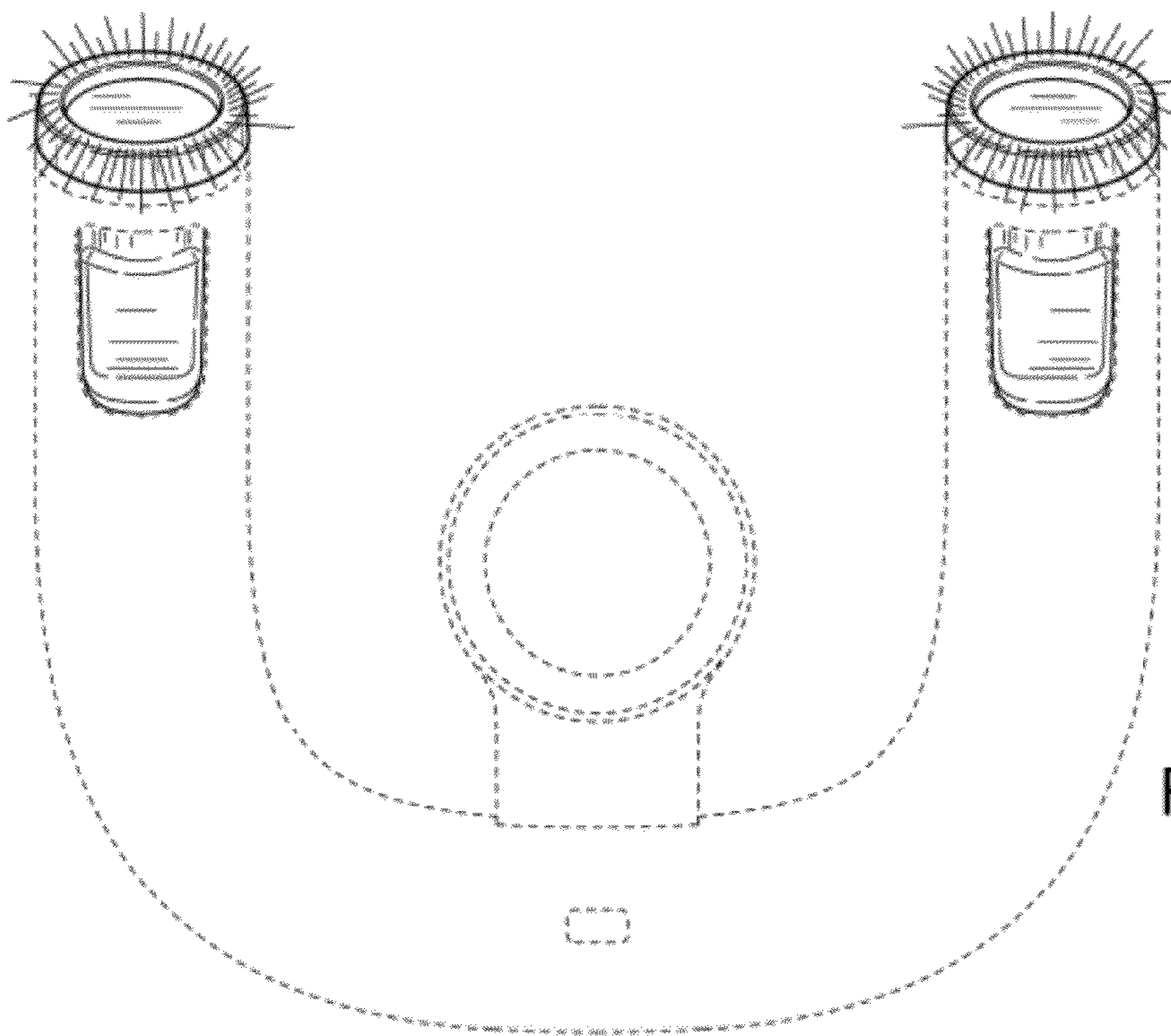


FIG. 7

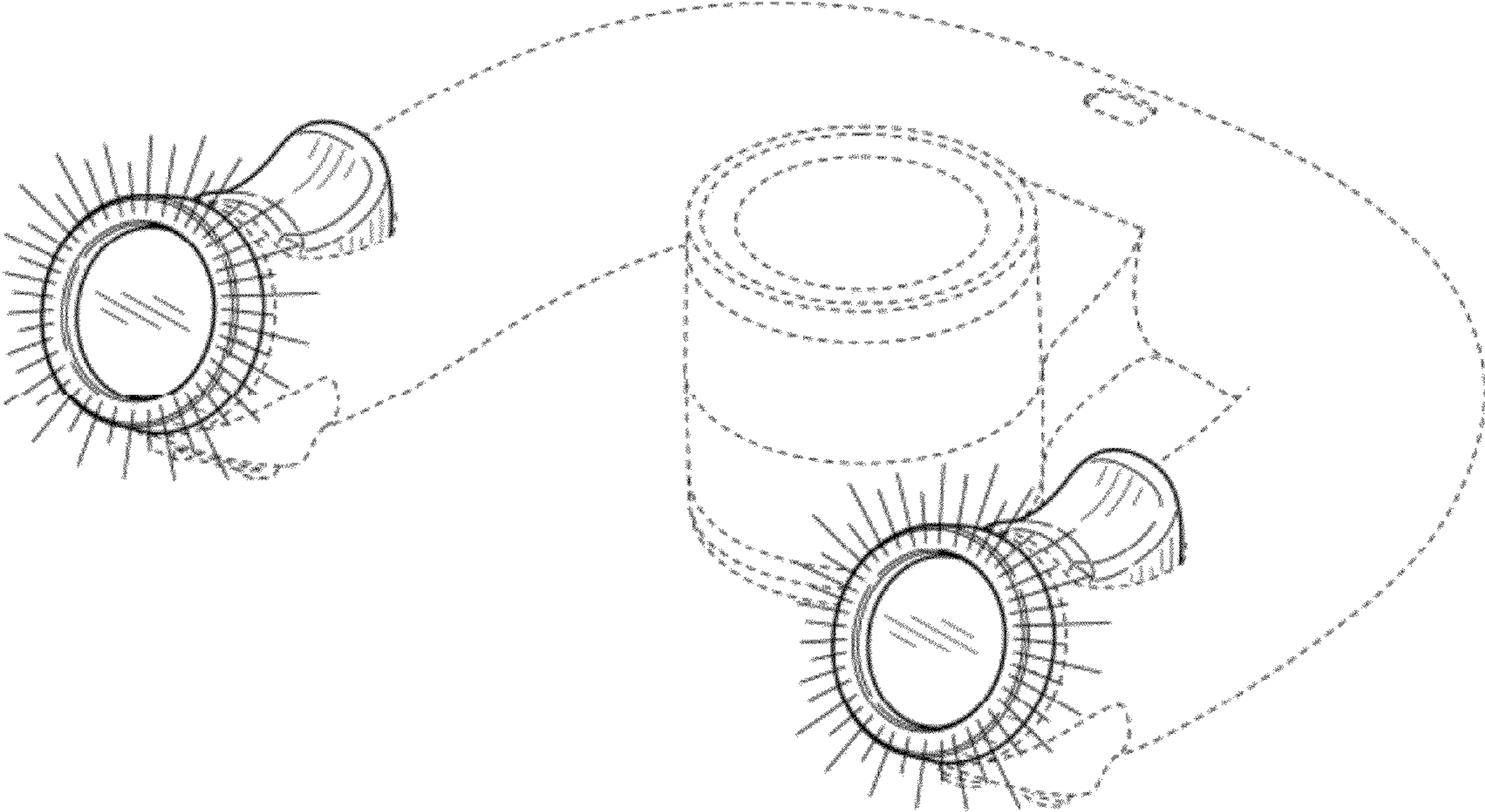


FIG. 8