

US00D665451S

(12) **United States Design Patent**
Dambricourt

(10) **Patent No.:** **US D665,451 S**
(45) **Date of Patent:** **** Aug. 14, 2012**

(54) **SORTER**

(75) Inventor: **Géry Dambricourt**, Escoutoux (FR)

(73) Assignee: **CEP Office Solutions** (FR)

(**) Term: **14 Years**

(21) Appl. No.: **29/388,997**

(22) Filed: **Apr. 5, 2011**

(30) **Foreign Application Priority Data**

Oct. 5, 2010 (EM) 001237911

(51) **LOC (9) Cl.** **19-02**

(52) **U.S. Cl.** **D19/90**

(58) **Field of Classification Search** D6/407,
D6/470, 475, 512; D19/75, 77-92, 99, 100;
206/214, 215, 449, 558; 211/10, 11, 45,
211/50, 55

See application file for complete search history.

(56) **References Cited**

U.S. PATENT DOCUMENTS

1,415,110	A	*	5/1922	Pearl	211/11
D94,204	S	*	1/1935	Guild	D19/90
2,248,396	A	*	7/1941	Terry	271/161
D129,374	S	*	9/1941	Guild	D19/90
D176,292	S	*	12/1955	Vernon	D19/78
D185,130	S	*	5/1959	Camilli	D19/78
2,902,166	A	*	9/1959	Bahr	211/11
D201,411	S	*	6/1965	Tucker	D19/90
D202,315	S	*	9/1965	Tucker	D19/90
D207,851	S	*	6/1967	Separa	D6/449
D250,960	S	*	1/1979	Bitner et al.	D19/90
D251,254	S	*	3/1979	Tiedemann	D19/90
D258,511	S	*	3/1981	Ashton	D19/90
D268,119	S	*	3/1983	Evenson	D19/77
D270,356	S	*	8/1983	Beltrami	D19/86
D276,734	S	*	12/1984	Landstrom	D19/91
D290,141	S	*	6/1987	Rabig	D19/90
D291,900	S	*	9/1987	Mortensen	D21/392
4,872,580	A	*	10/1989	Fuller et al.	211/45
D306,040	S	*	2/1990	Evenson	D19/90
D308,077	S	*	5/1990	Gecchelin	D19/90
4,974,733	A	*	12/1990	Evans	211/11
D330,047	S	*	10/1992	Evenson	D19/78
D340,068	S	*	10/1993	Chan	D19/90
D353,158	S	*	12/1994	Evenson	D19/90

D357,939	S	*	5/1995	Turmala	D19/90
D390,271	S	*	2/1998	Wolff	D19/90
D404,768	S	*	1/1999	Stravitz	D19/75
D409,242	S	*	5/1999	Stravitz	D19/75
D411,860	S	*	7/1999	Stravitz	D19/75
D439,279	S	*	3/2001	McColskey et al.	D19/90
D455,786	S	*	4/2002	Walz	D19/92
D478,354	S	*	8/2003	Chen	D19/90
D489,096	S	*	4/2004	Chen	D19/90
D497,781	S	*	11/2004	Joseph	D7/641
D500,803	S	*	1/2005	Stravitz	D19/90
D502,741	S	*	3/2005	Bain	D19/90
D612,891	S	*	3/2010	Chen et al.	D19/78
D642,829	S	*	8/2011	Spindelbalker	D6/491
D650,013	S	*	12/2011	Yi et al.	D19/90

* cited by examiner

Primary Examiner — Elizabeth Albert

(74) *Attorney, Agent, or Firm* — Banner & Witcoff, Ltd.

(57) **CLAIM**

The ornamental design for a sorter, as shown and described.

DESCRIPTION

FIG. 1 is a perspective view of a sorter showing my new design;

FIG. 2 is a front view thereof;

FIG. 3 is a rear view thereof;

FIG. 4 is a right side view thereof;

FIG. 5 is a left side view thereof;

FIG. 6 is a top plan view thereof;

FIG. 7 is a bottom plan view thereof;

FIG. 8 is a perspective view of the sorter of FIGS. 1-7 with the lines visible through the translucent surfaces being removed for clarity;

FIG. 9 is a front view thereof;

FIG. 10 is a rear view thereof;

FIG. 11 is a right side view thereof;

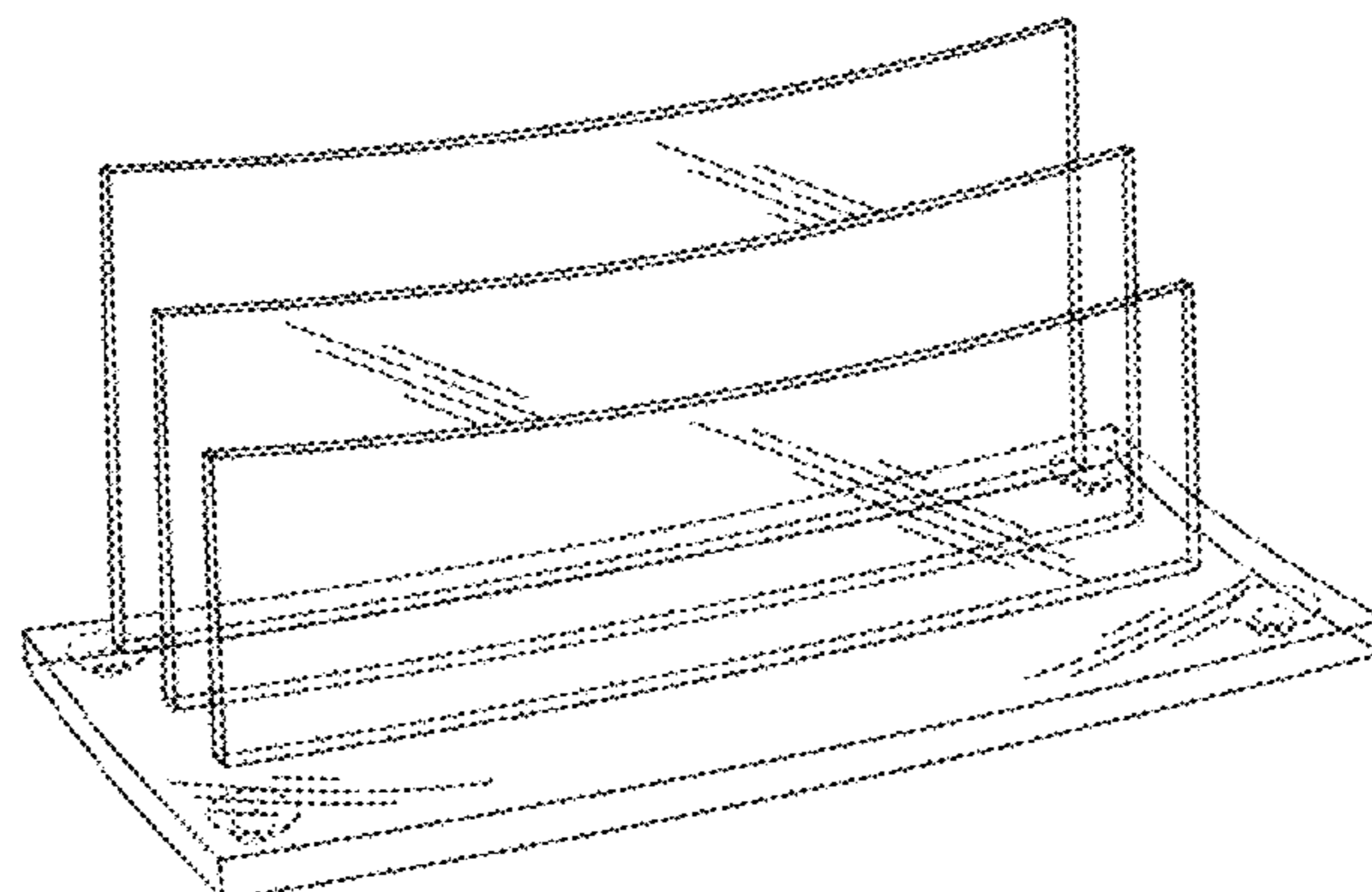
FIG. 12 is a left side view thereof;

FIG. 13 is a top plan view thereof; and,

FIG. 14 is a bottom plan view thereof.

The broken line showing of the four support feet of the sorter is for environmental purposes only and forms no part of the claimed design.

1 Claim, 8 Drawing Sheets



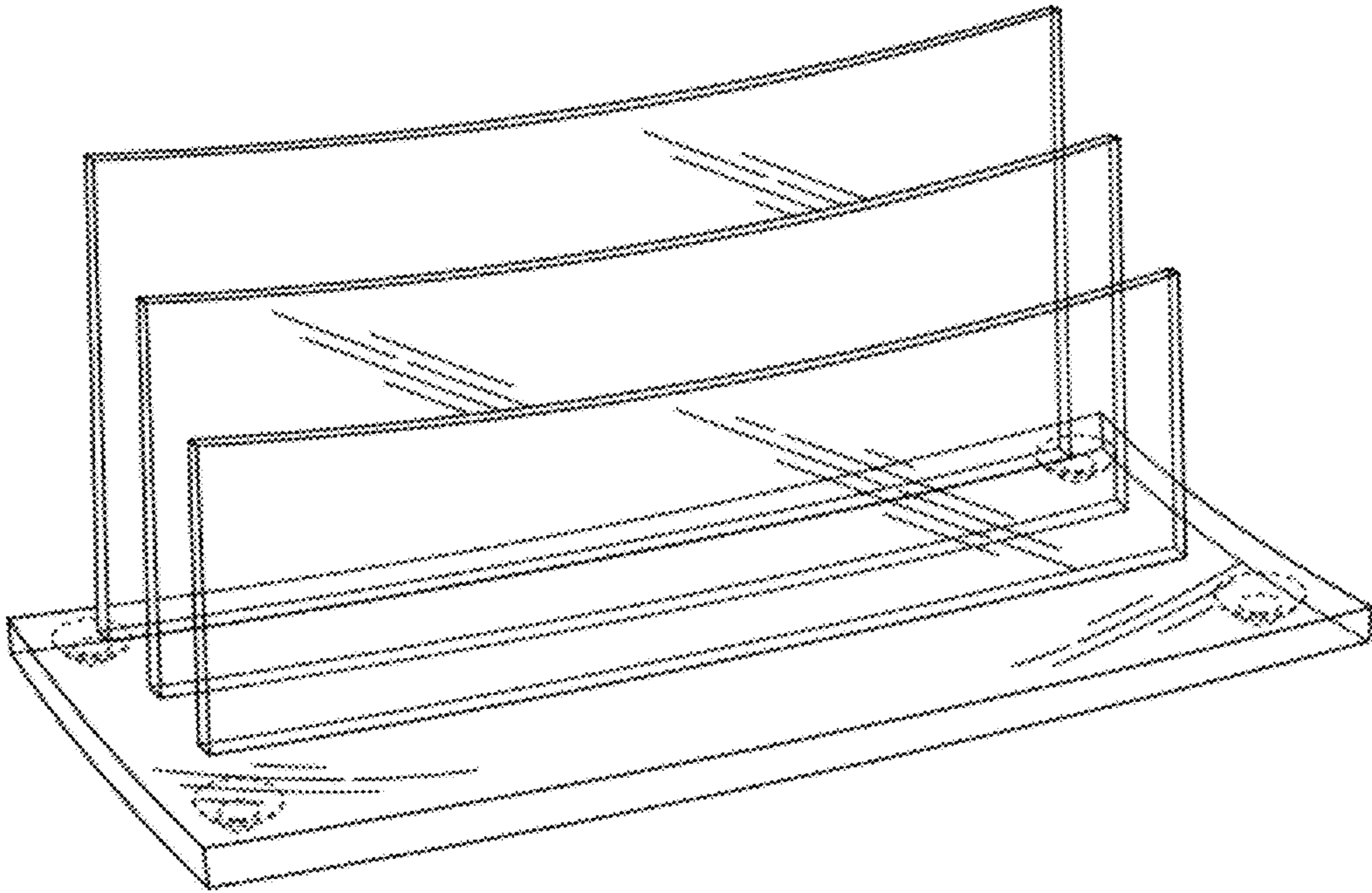


FIG. 1

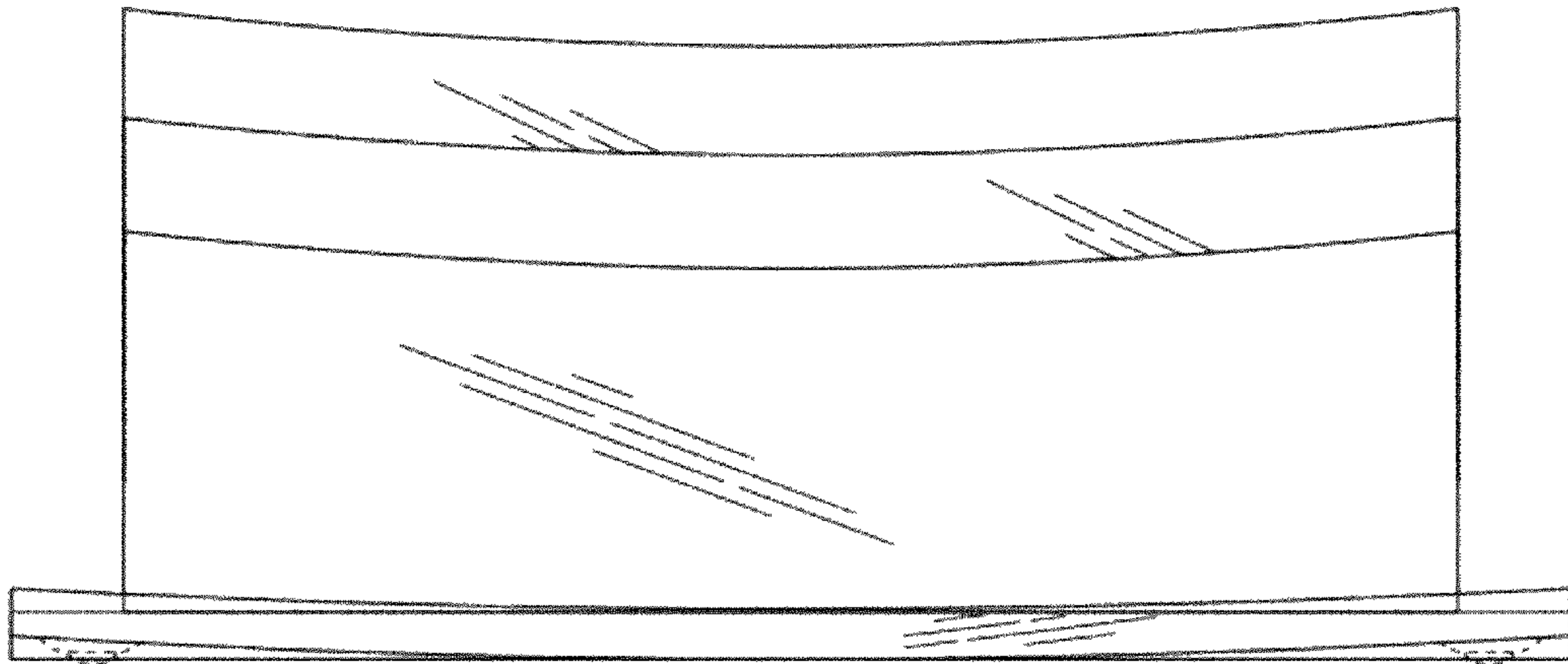


FIG. 2

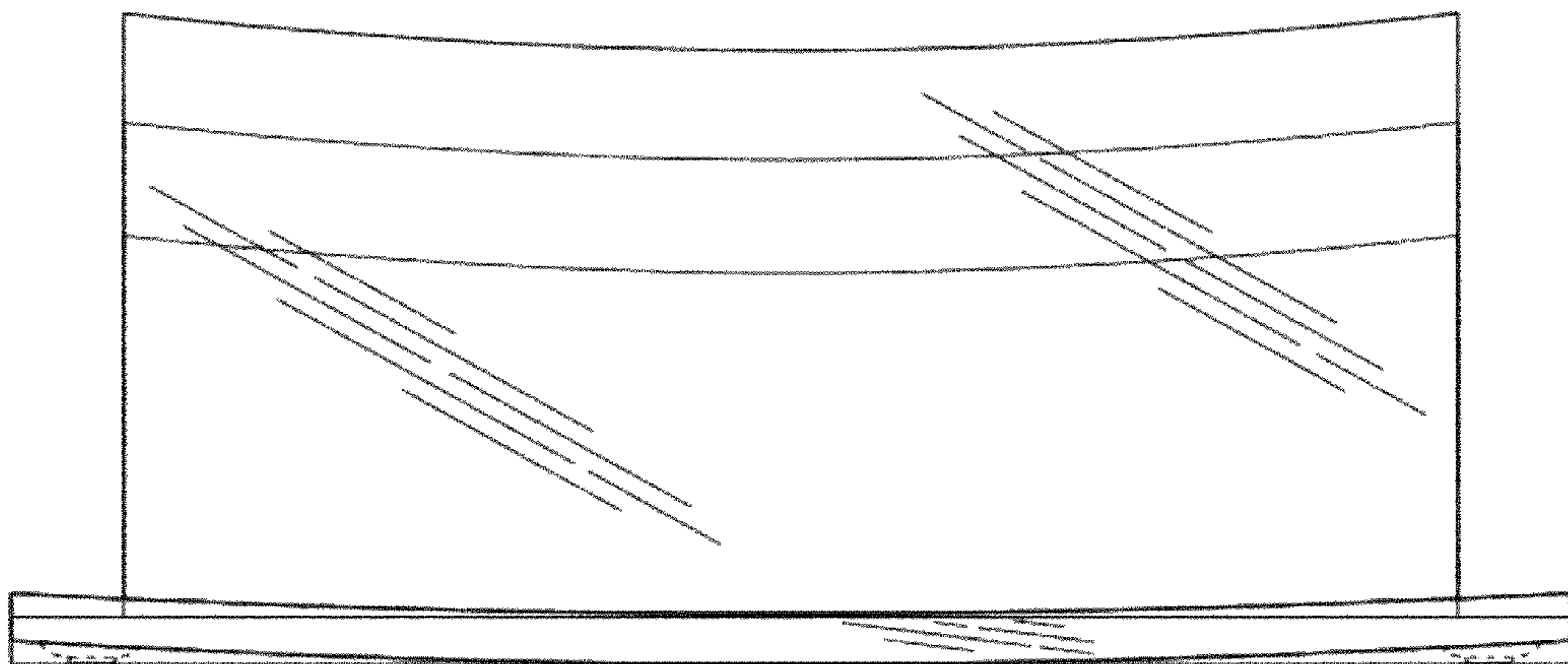


FIG. 3

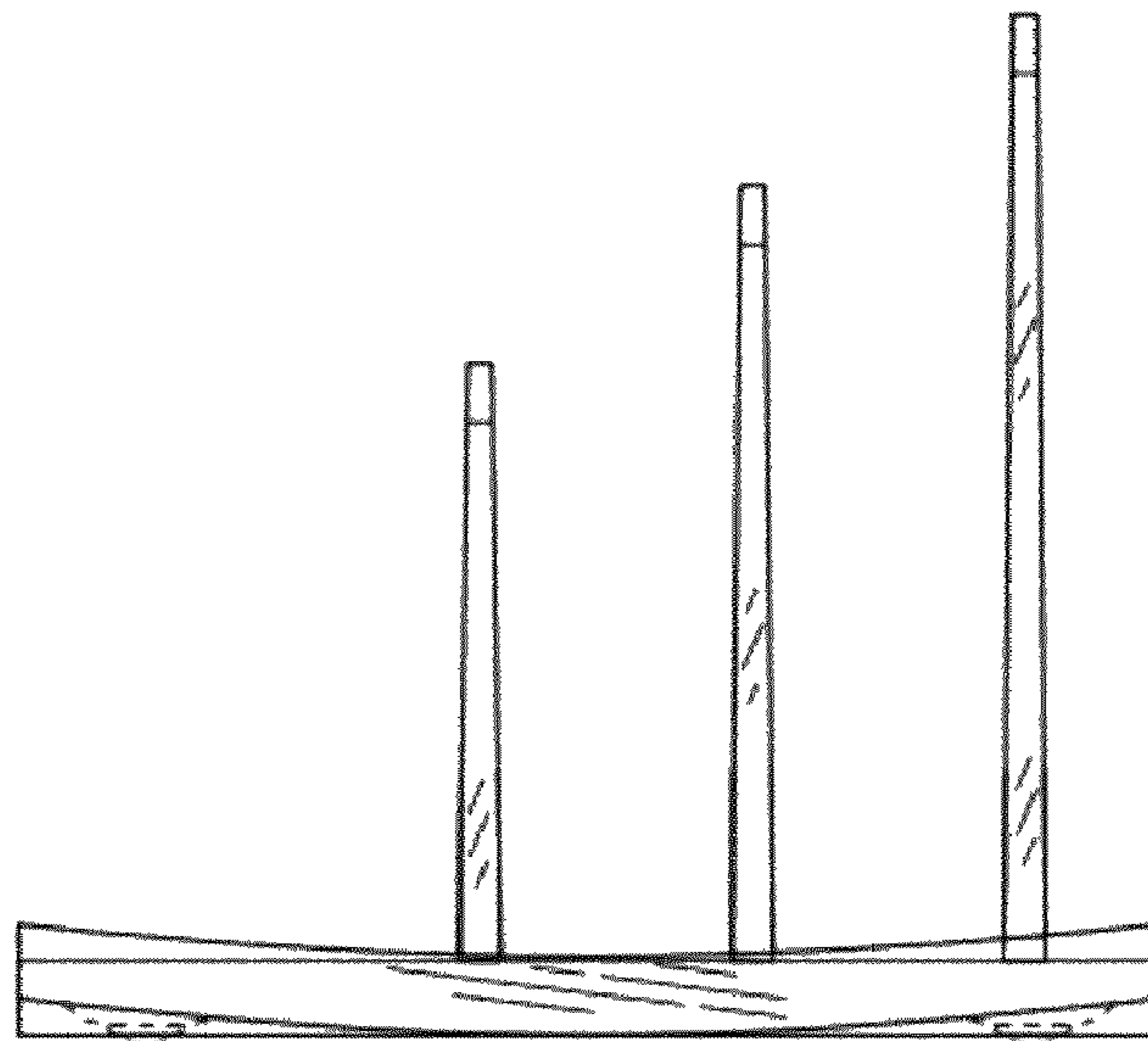


FIG. 4

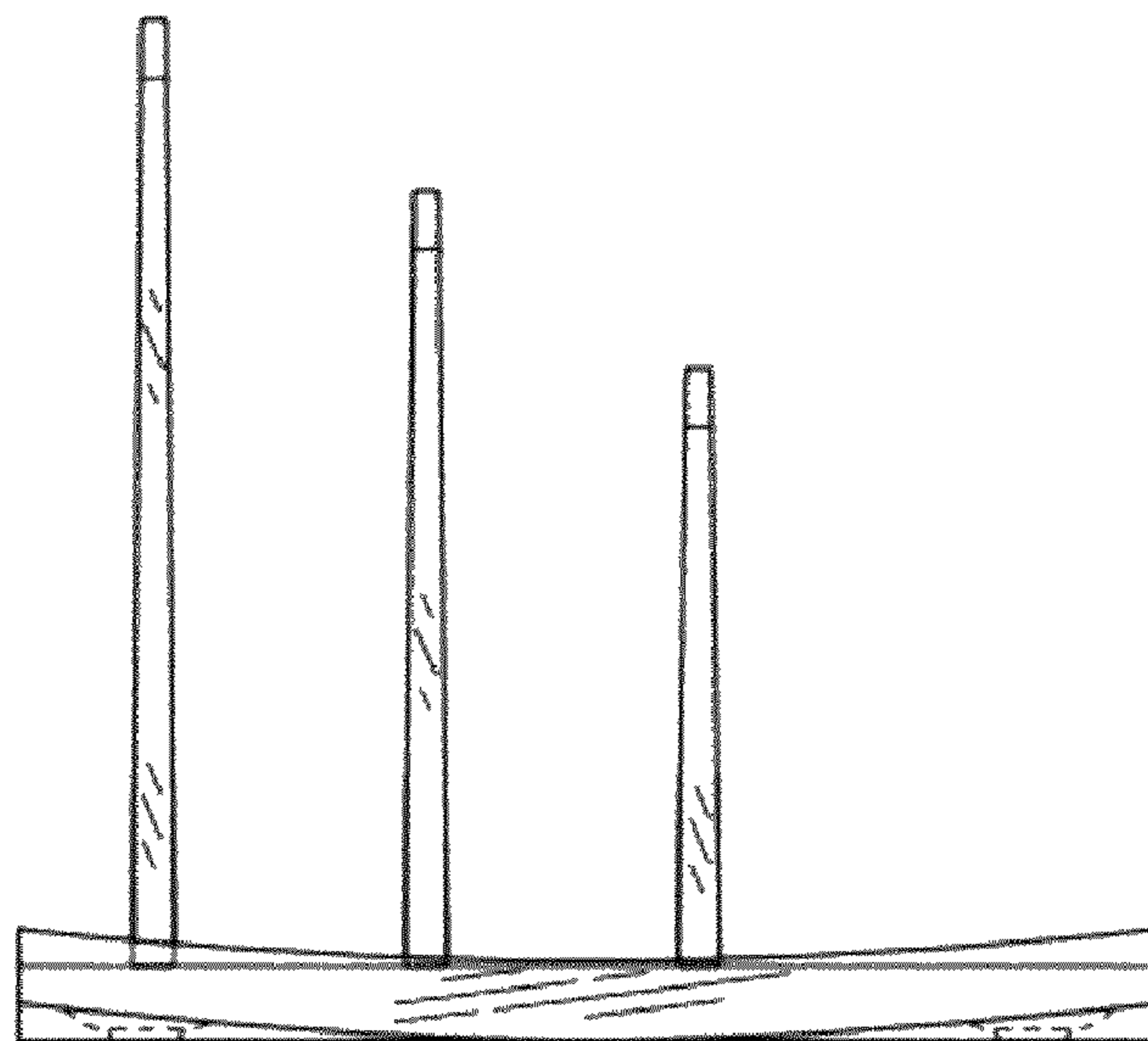


FIG. 5

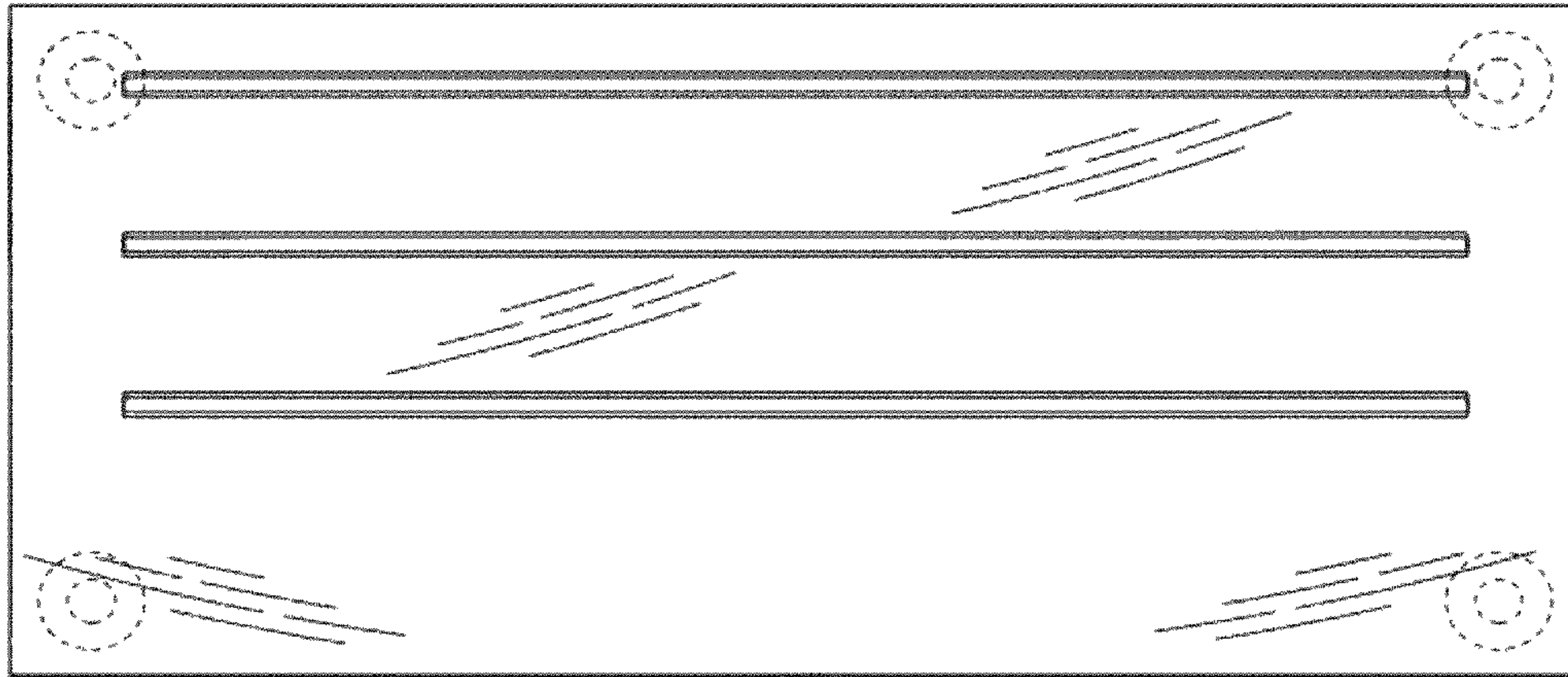


FIG. 6

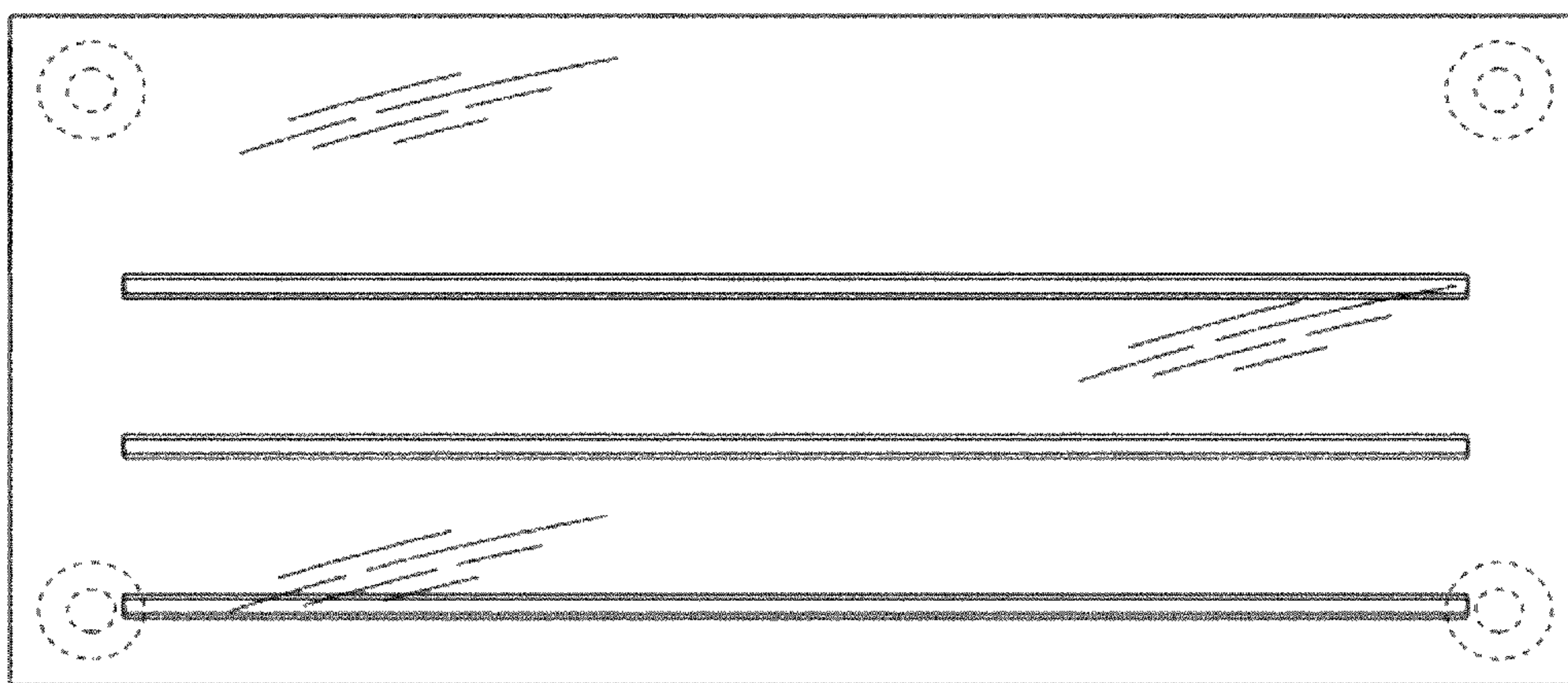


FIG. 7

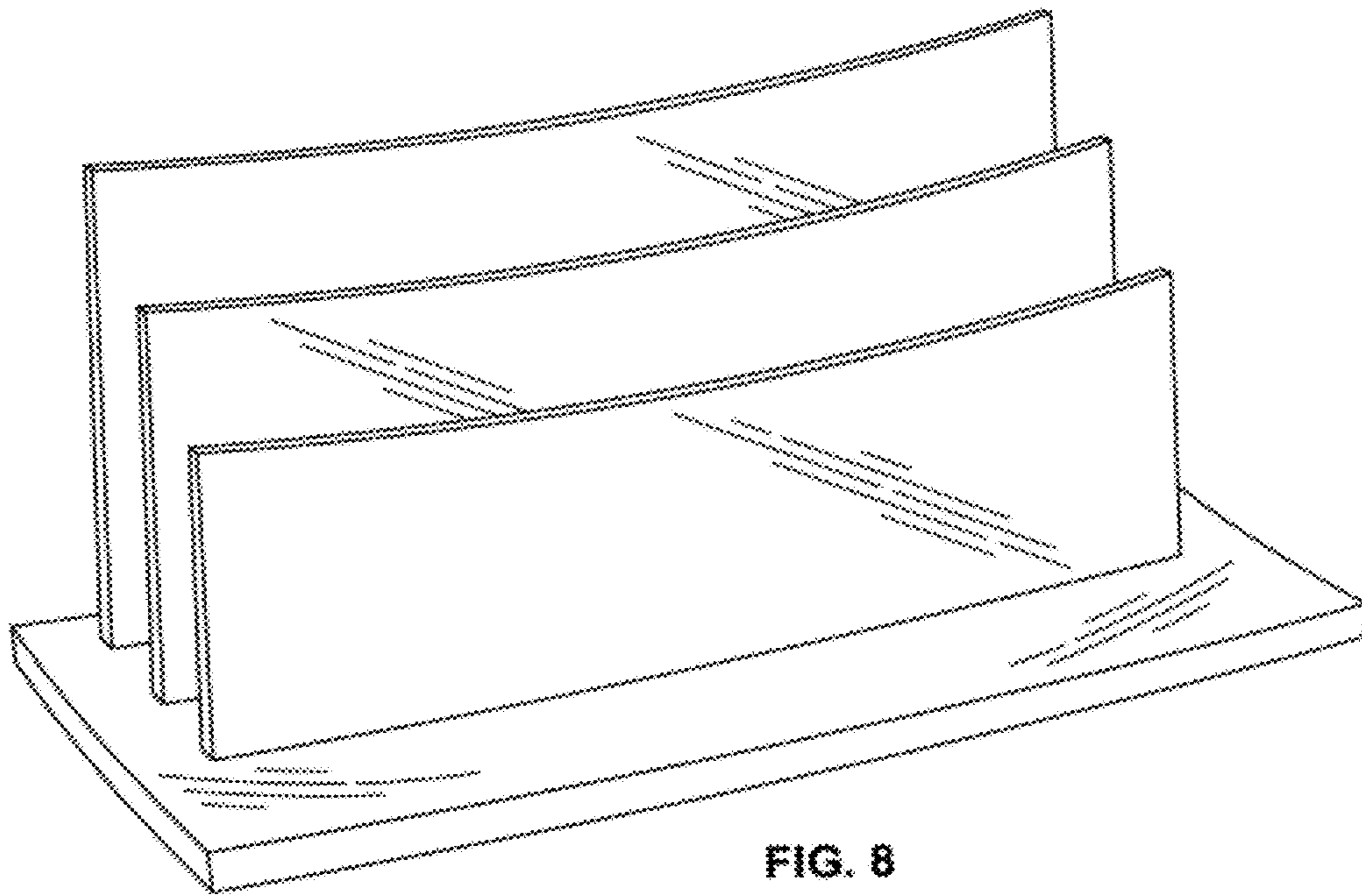


FIG. 8

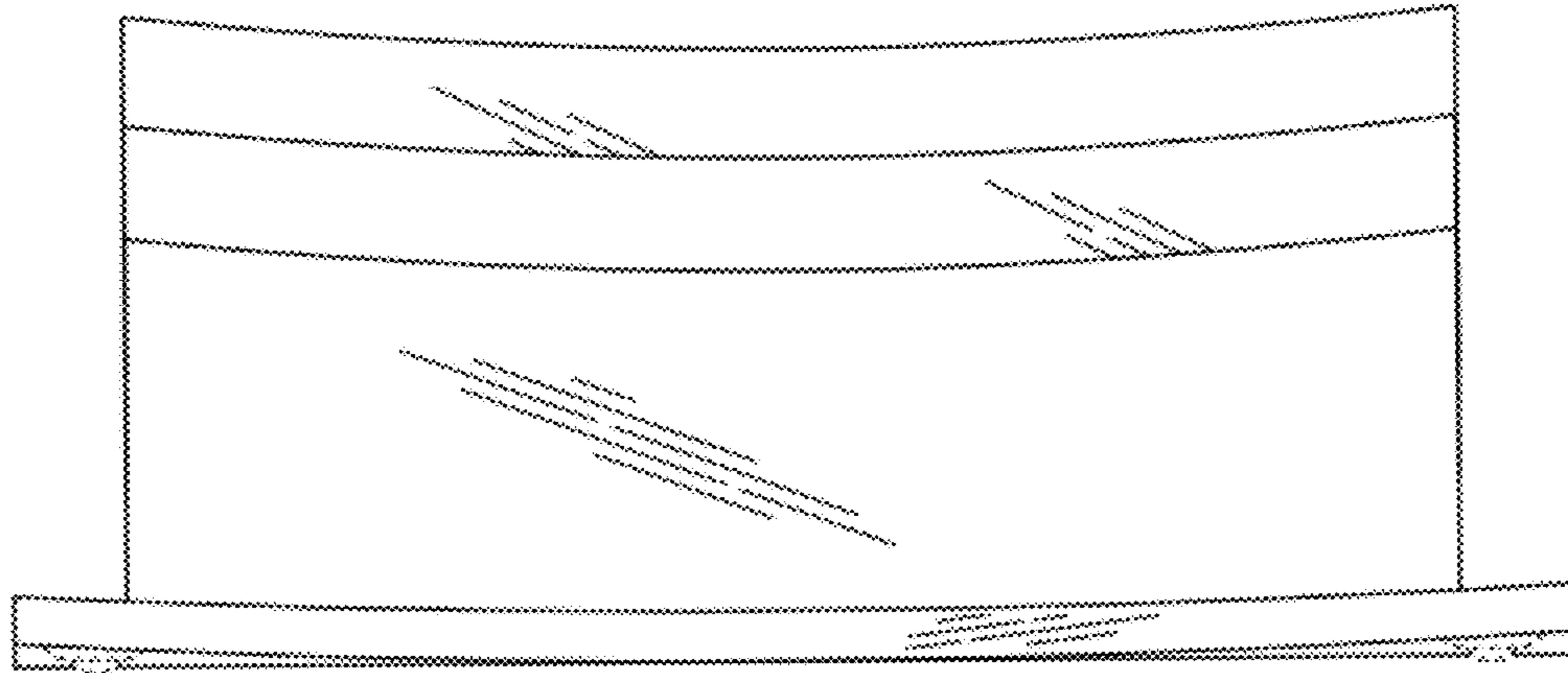


FIG. 9

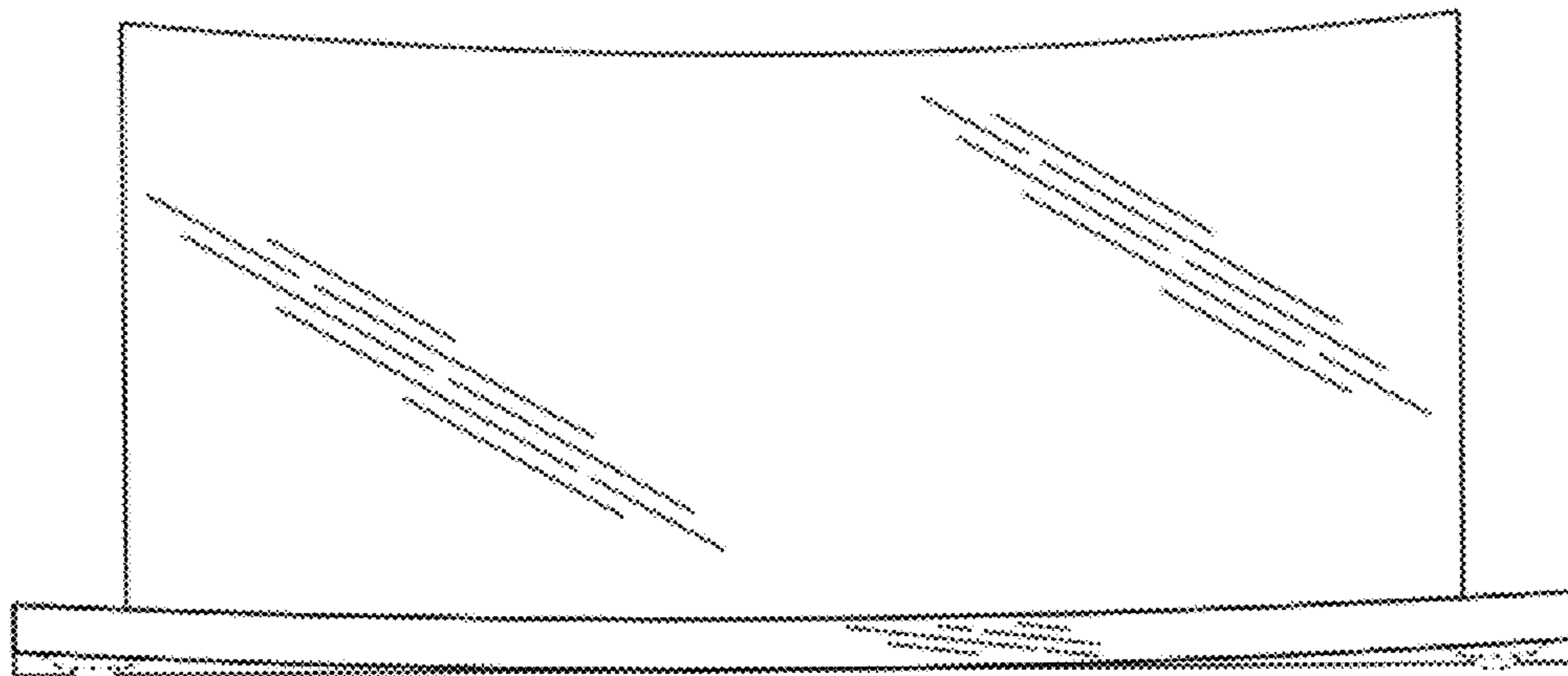


FIG. 10

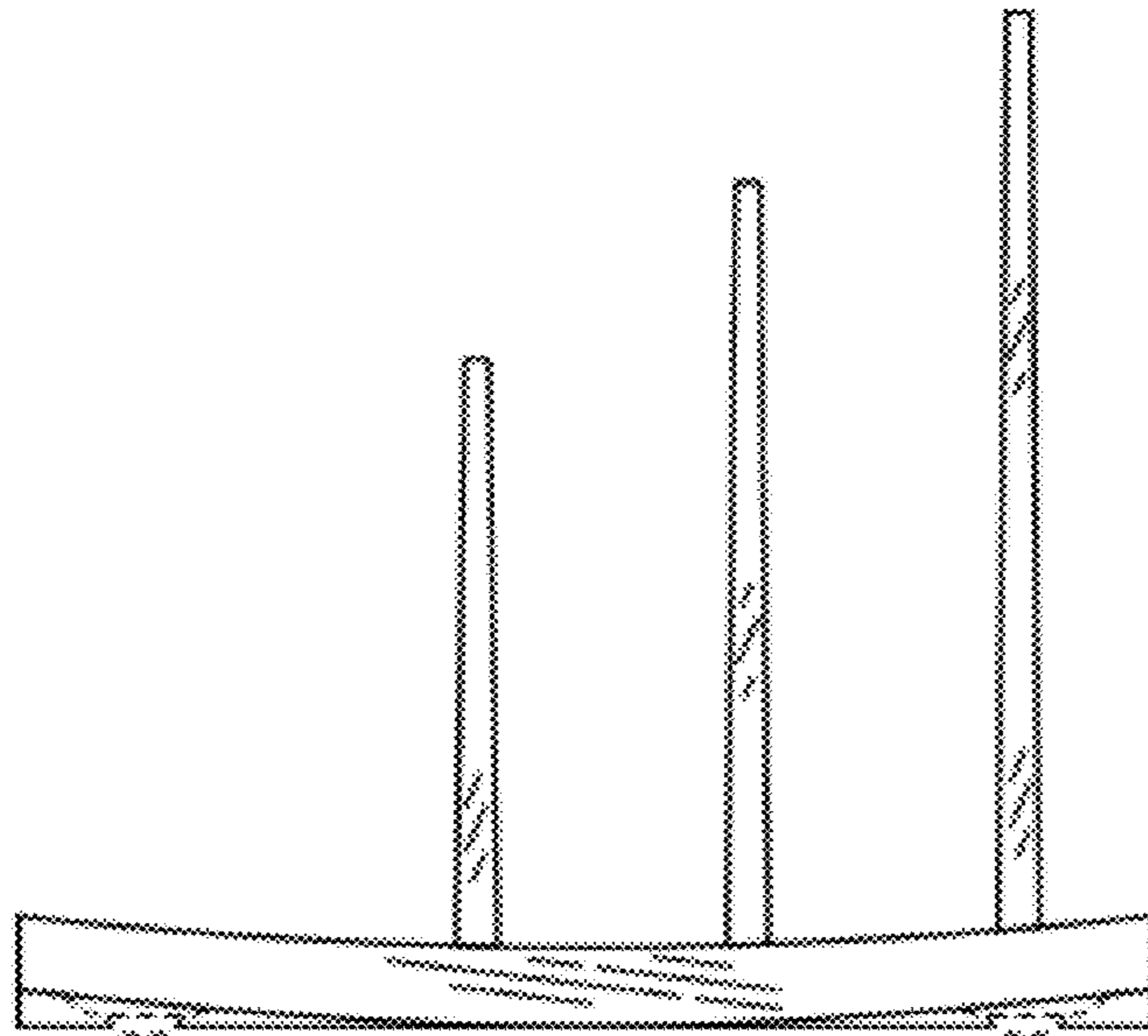


FIG. 11

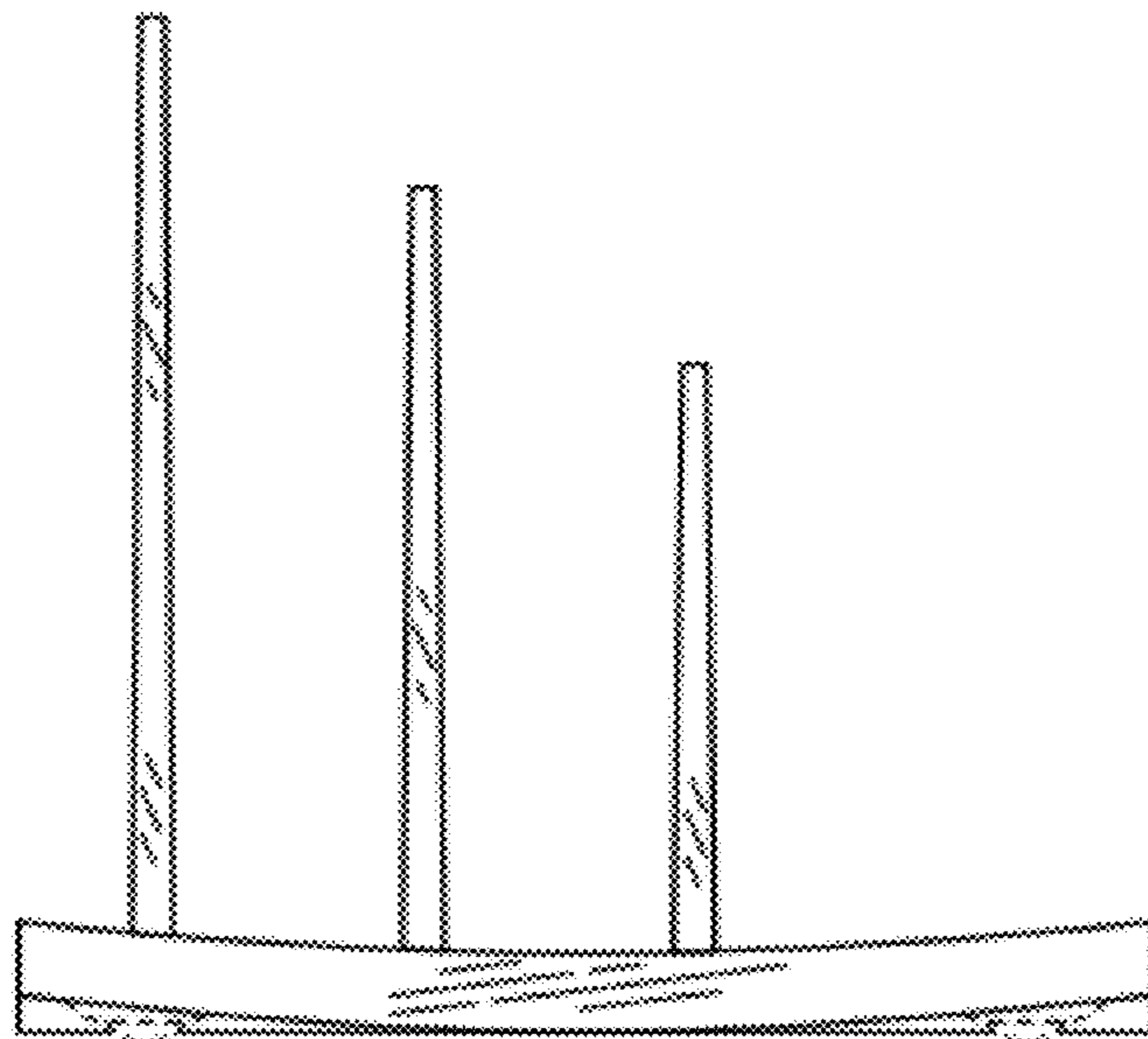


FIG. 12

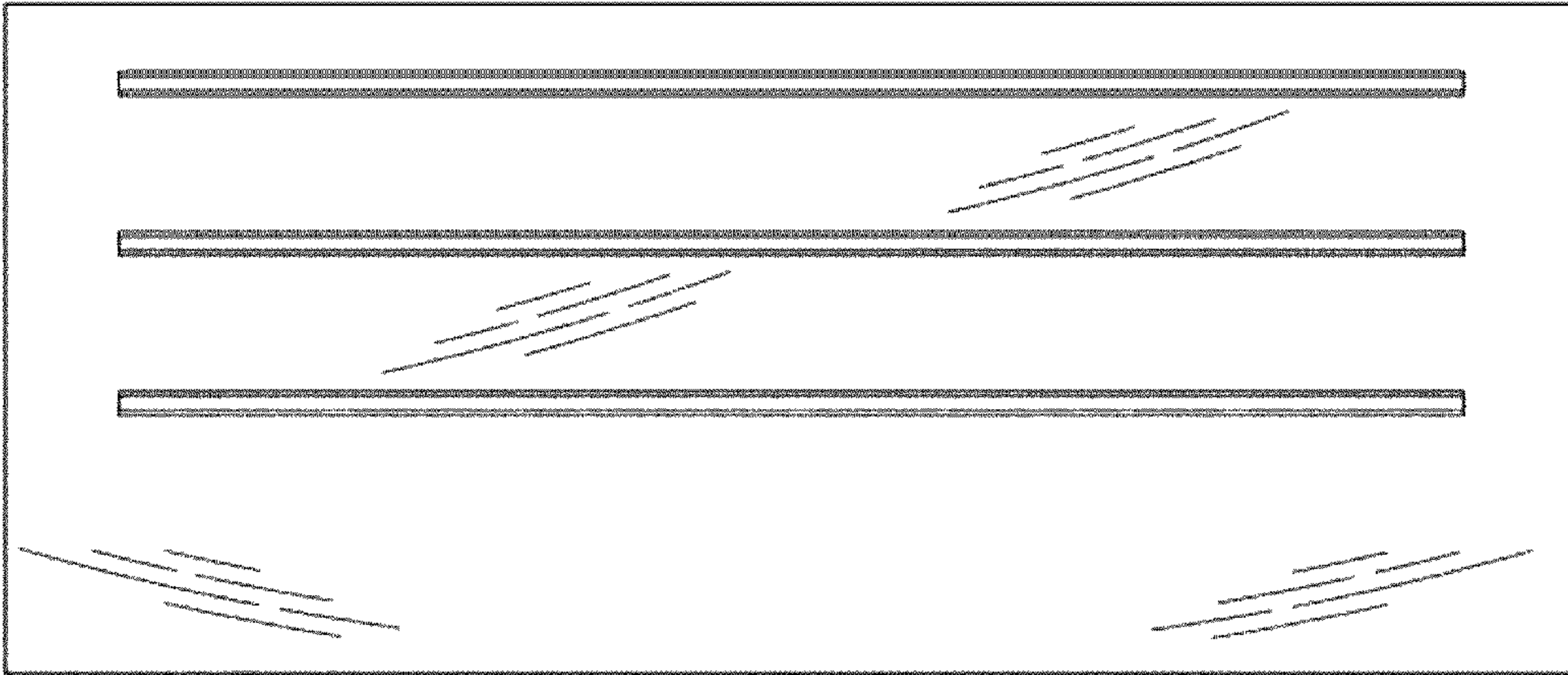


FIG. 13

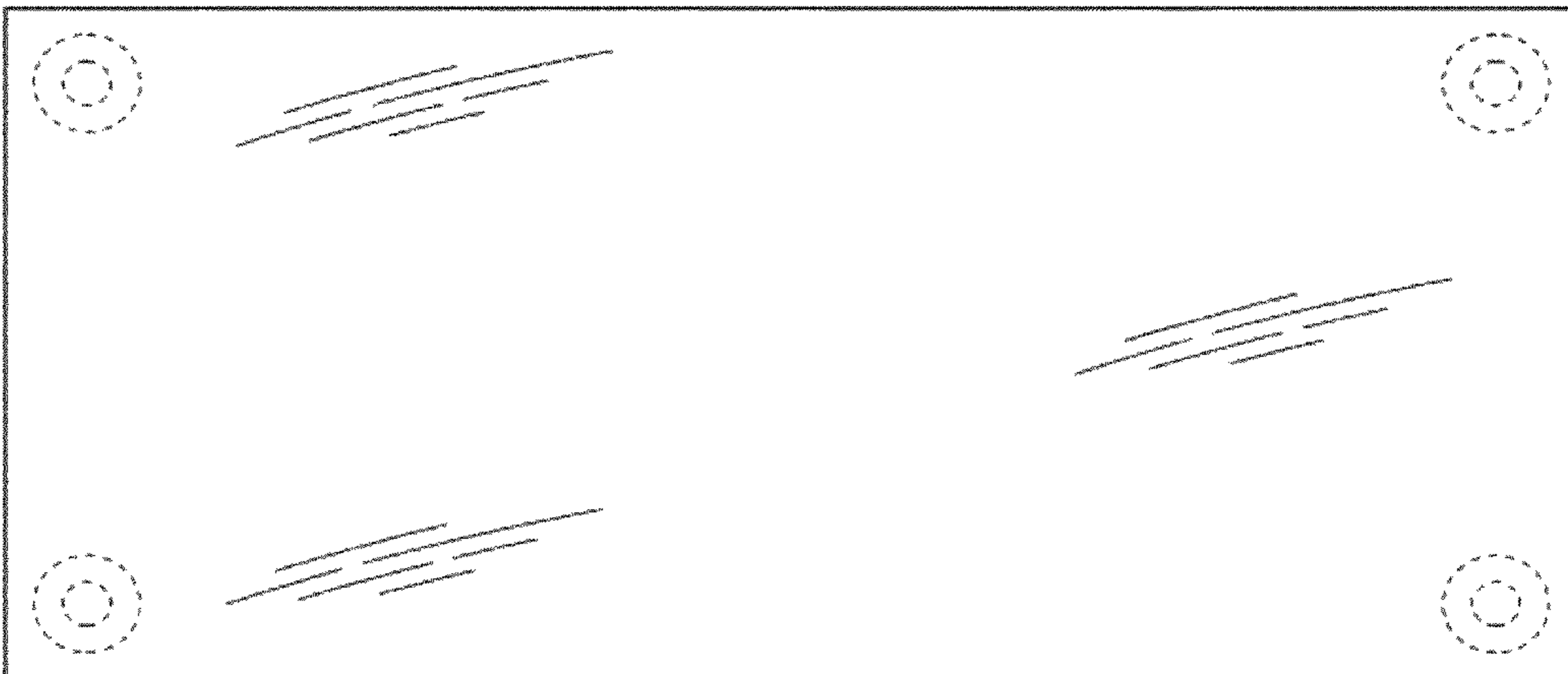


FIG. 14