



US00D665450S

(12) **United States Design Patent**
Dambricourt

(10) **Patent No.:** **US D665,450 S**

(45) **Date of Patent:** **** Aug. 14, 2012**

(54) **PENCIL POT**

(75) Inventor: **Géry Dambricourt**, Escoutoux (FR)

(73) Assignee: **CEP Office Solutions** (FR)

(**) Term: **14 Years**

(21) Appl. No.: **29/388,999**

(22) Filed: **Apr. 5, 2011**

(30) **Foreign Application Priority Data**

Oct. 5, 2010 (EM) 001237911

(51) **LOC (9) Cl.** **19-06**

(52) **U.S. Cl.** **D19/85**

(58) **Field of Classification Search** D3/206;

D6/470; D9/414, 424, 432; D11/131, 143;

D19/75, 77-85, 99, 100; 40/720, 738; 206/214,

206/224, 371; 211/69.1-69.9; 312/114,

312/140; 428/13, 542.4

See application file for complete search history.

(56) **References Cited**

U.S. PATENT DOCUMENTS

534,052	A *	2/1895	Ruhe	119/269
790,133	A *	5/1905	Jaeger	312/140
1,793,050	A *	2/1931	Brunhoff	312/114
1,959,800	A *	5/1934	Rogge	47/75
2,023,260	A *	12/1935	Beers et al.	312/114
D110,889	S *	8/1938	Brand et al.	D19/79
2,548,706	A *	4/1951	Corning	40/661
3,577,666	A *	5/1971	Wexler	40/720
3,703,045	A *	11/1972	Nyman	40/720
3,716,936	A *	2/1973	Miller	40/720
3,774,332	A *	11/1973	Schneider	40/720
3,990,166	A *	11/1976	Nagelkirk	40/442
3,992,811	A *	11/1976	Yellin	47/69
4,195,729	A *	4/1980	Macken	206/216
D270,356	S *	8/1983	Beltrami	D19/86
D289,105	S *	4/1987	Sussman	D3/302
4,750,793	A *	6/1988	Rioux, Sr.	312/114
D329,301	S *	9/1992	Leonard	D26/104
5,263,576	A *	11/1993	Boreen et al.	206/455
D351,518	S *	10/1994	Burgess	D6/470
D357,704	S *	4/1995	Wolff	D19/90
D358,356	S *	5/1995	Rahr	D11/155
D408,756	S *	4/1999	Johnson et al.	D11/131
6,036,042	A *	3/2000	Pietruch et al.	220/62.12

6,276,084	B1 *	8/2001	Lanier	40/606.12
D448,579	S *	10/2001	Prade	D6/314
D464,885	S *	10/2002	Weinstein et al.	D9/432
D475,548	S *	6/2003	Tamburello	D6/397
D485,453	S *	1/2004	Hansen	D6/470
D487,524	S *	3/2004	Lin	D26/51
6,722,747	B2 *	4/2004	House et al.	312/114
D497,781	S *	11/2004	Joseph	D7/641
D498,502	S *	11/2004	Duke	D20/10
D527,424	S *	8/2006	Long	D19/77
D548,796	S *	8/2007	Sachnoff	D20/43
D558,486	S *	1/2008	Hoang et al.	D6/470
D579,588	S *	10/2008	Adams et al.	D26/9
D639,702	S *	6/2011	Jean-Denis	D11/131
2003/0057809	A1 *	3/2003	House et al.	312/114
2011/0146126	A1 *	6/2011	Phillips	40/738

* cited by examiner

Primary Examiner — Elizabeth Albert

(74) *Attorney, Agent, or Firm* — Banner & Witcoff, Ltd.

(57) **CLAIM**

The ornamental design for a pencil pot, as shown and described.

DESCRIPTION

FIG. 1 is a perspective view of a pencil pot showing my new design;

FIG. 2 is a front view thereof;

FIG. 3 is a rear view thereof;

FIG. 4 is a right side view thereof;

FIG. 5 is a left side view thereof;

FIG. 6 is a top plan view thereof;

FIG. 7 is a bottom plan view thereof;

FIG. 8 is a perspective view of the pencil pot of FIGS. 1-7 with the lines visible through the translucent surfaces being removed for clarity;

FIG. 9 is a front view thereof;

FIG. 10 is a rear view thereof;

FIG. 11 is a right side view thereof;

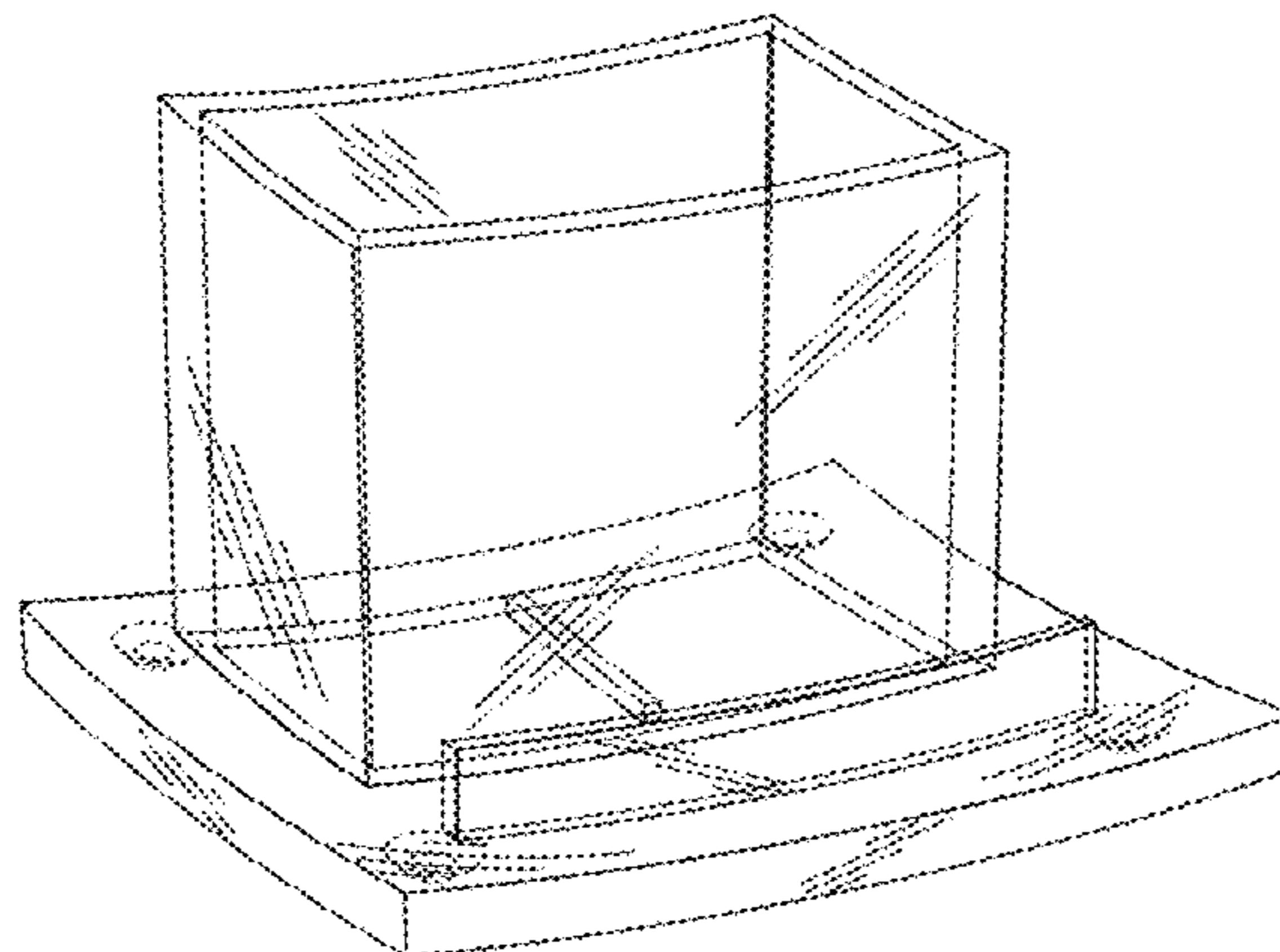
FIG. 12 is a left side view thereof;

FIG. 13 is a top plan view thereof; and,

FIG. 14 is a bottom plan view thereof.

The broken line showing of the four support feet of the pencil pot is for environmental purposes only and forms no part of the claimed design.

1 Claim, 8 Drawing Sheets



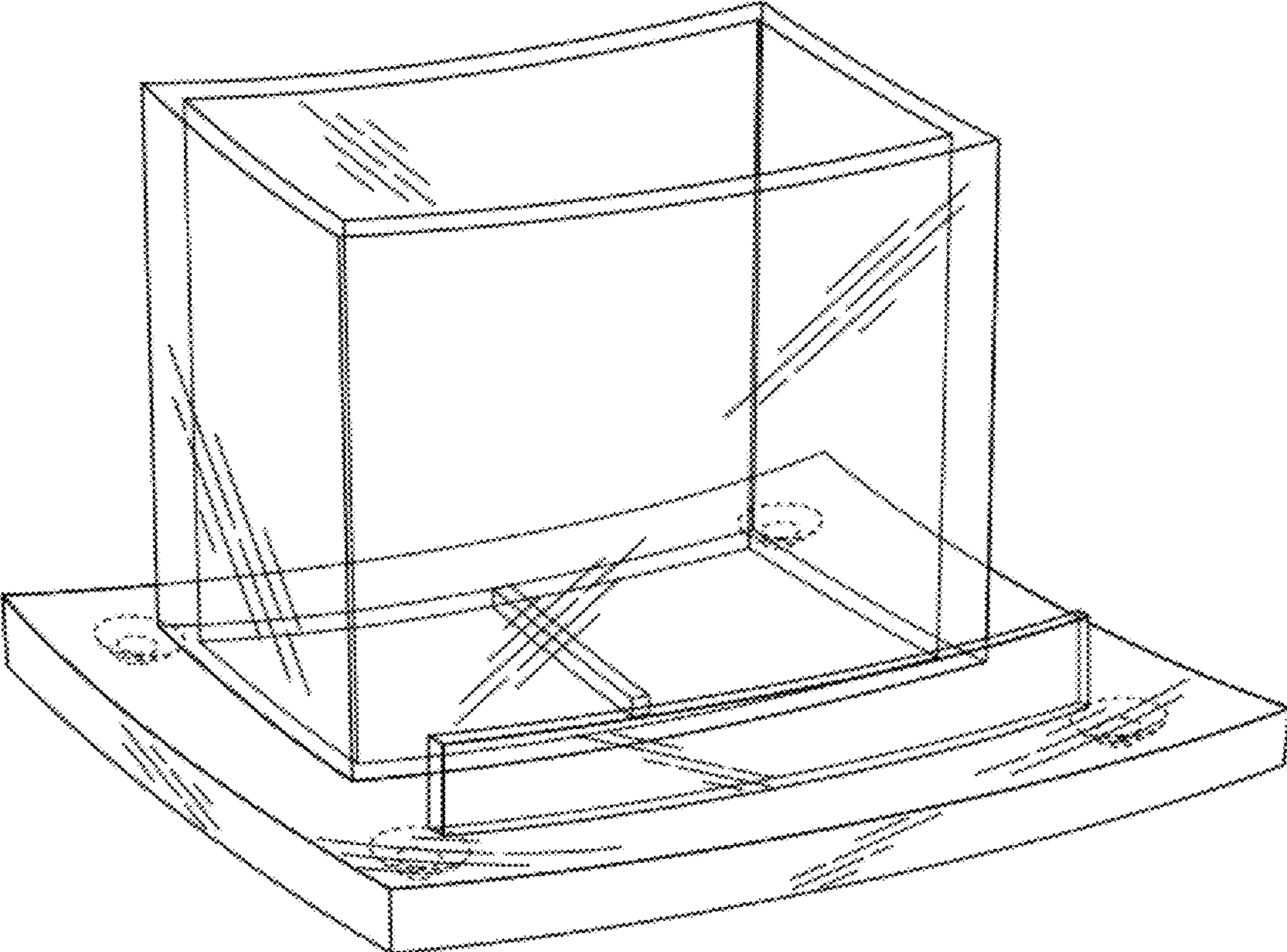


FIG. 1

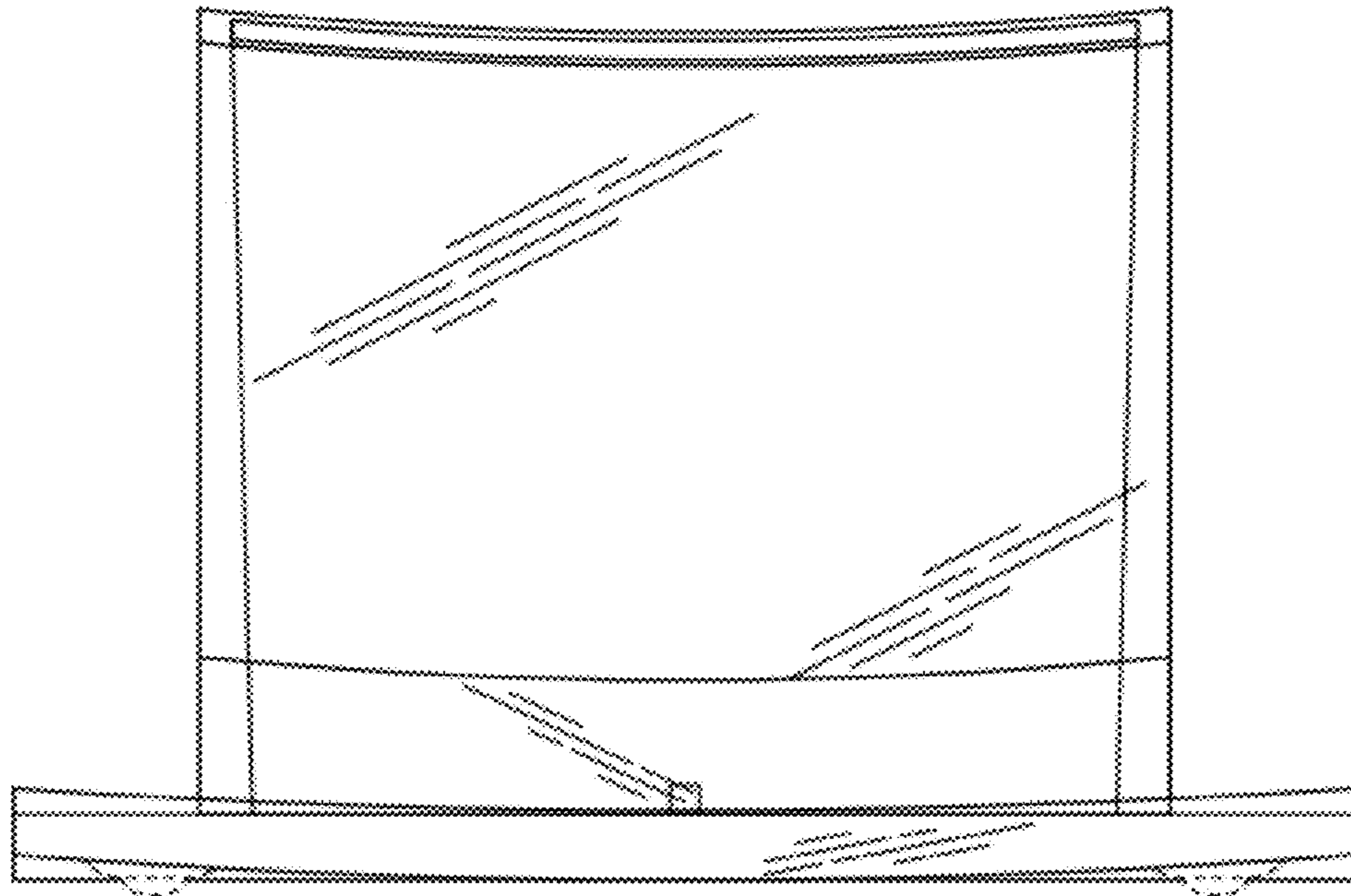


FIG. 2

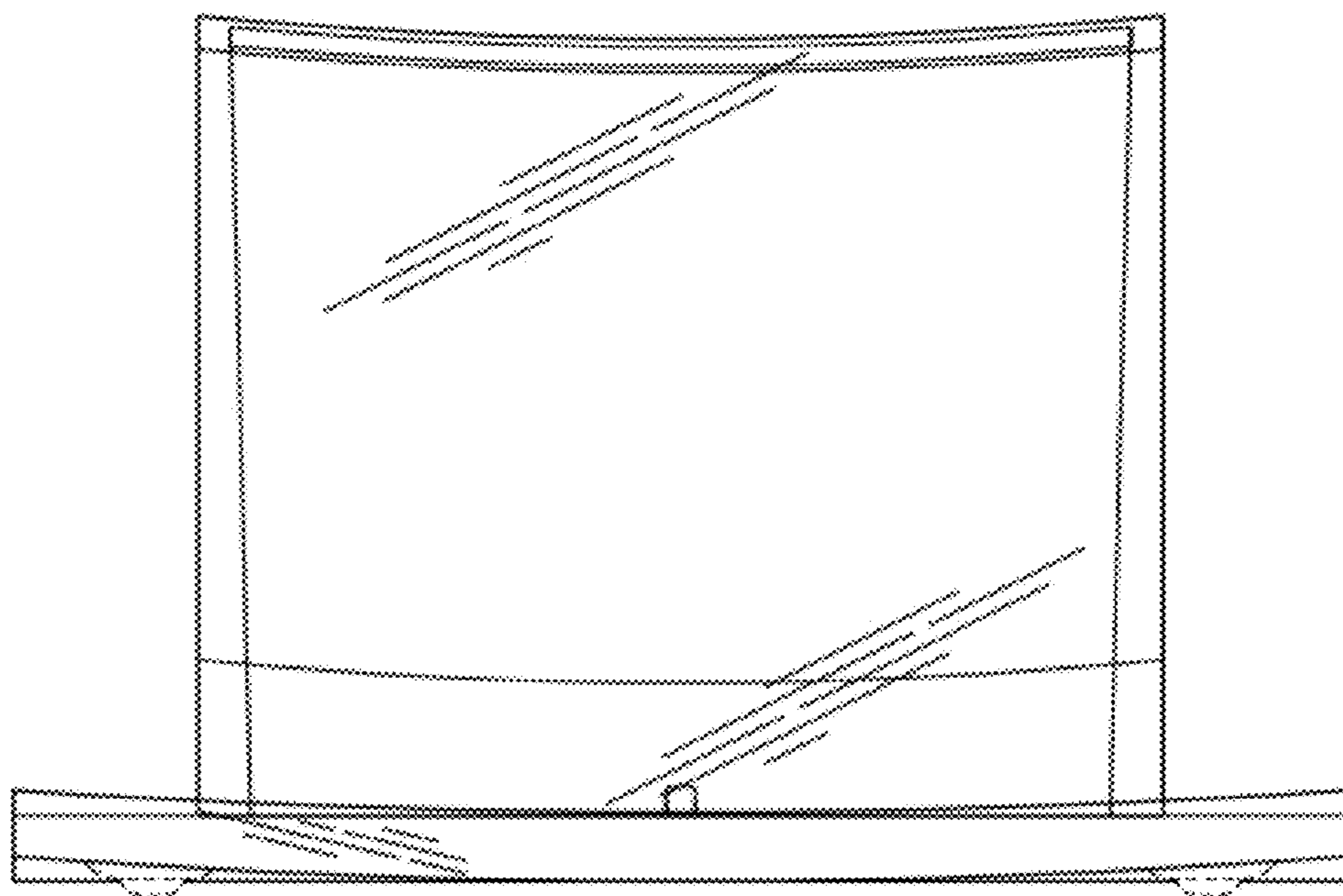


FIG. 3

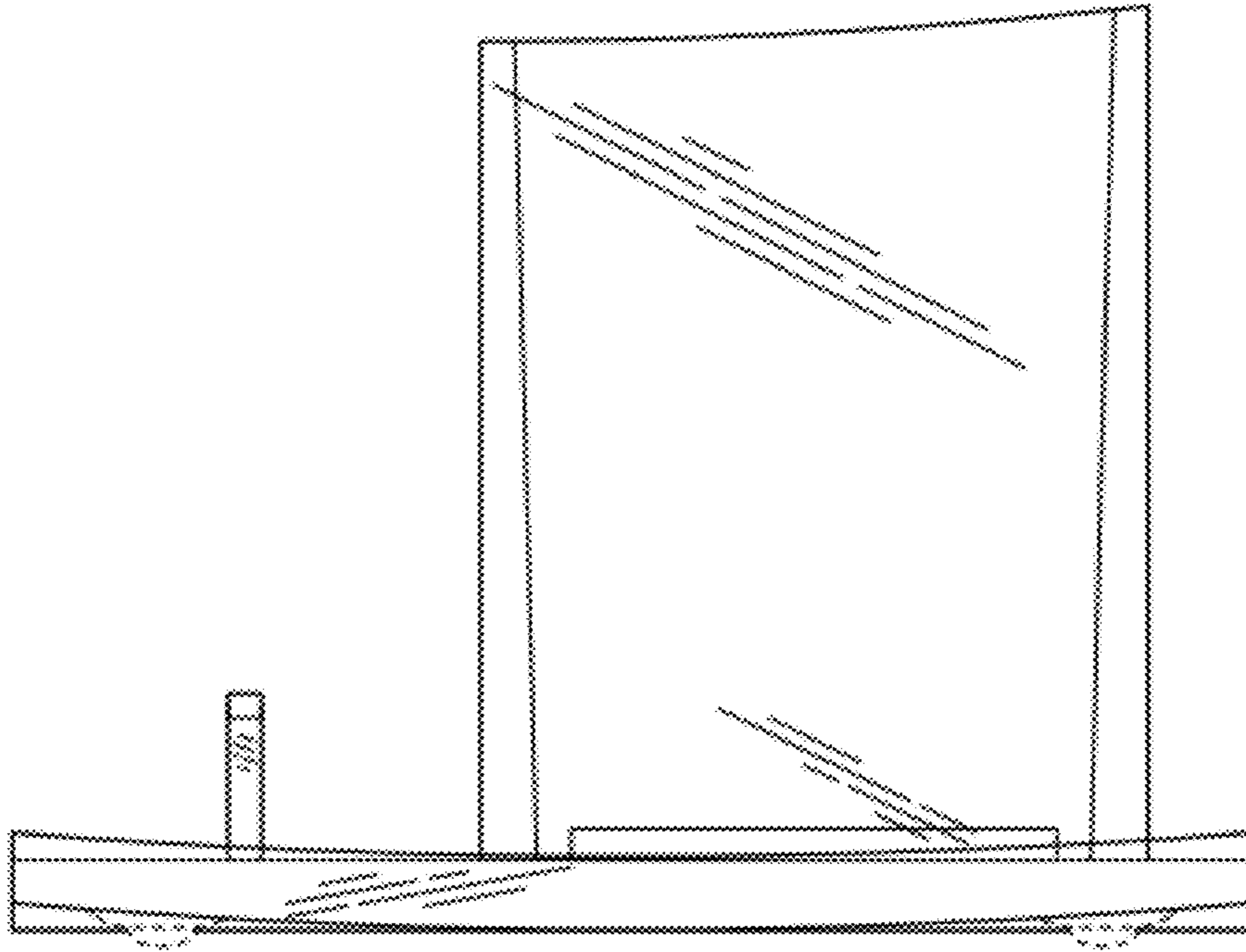


FIG. 4

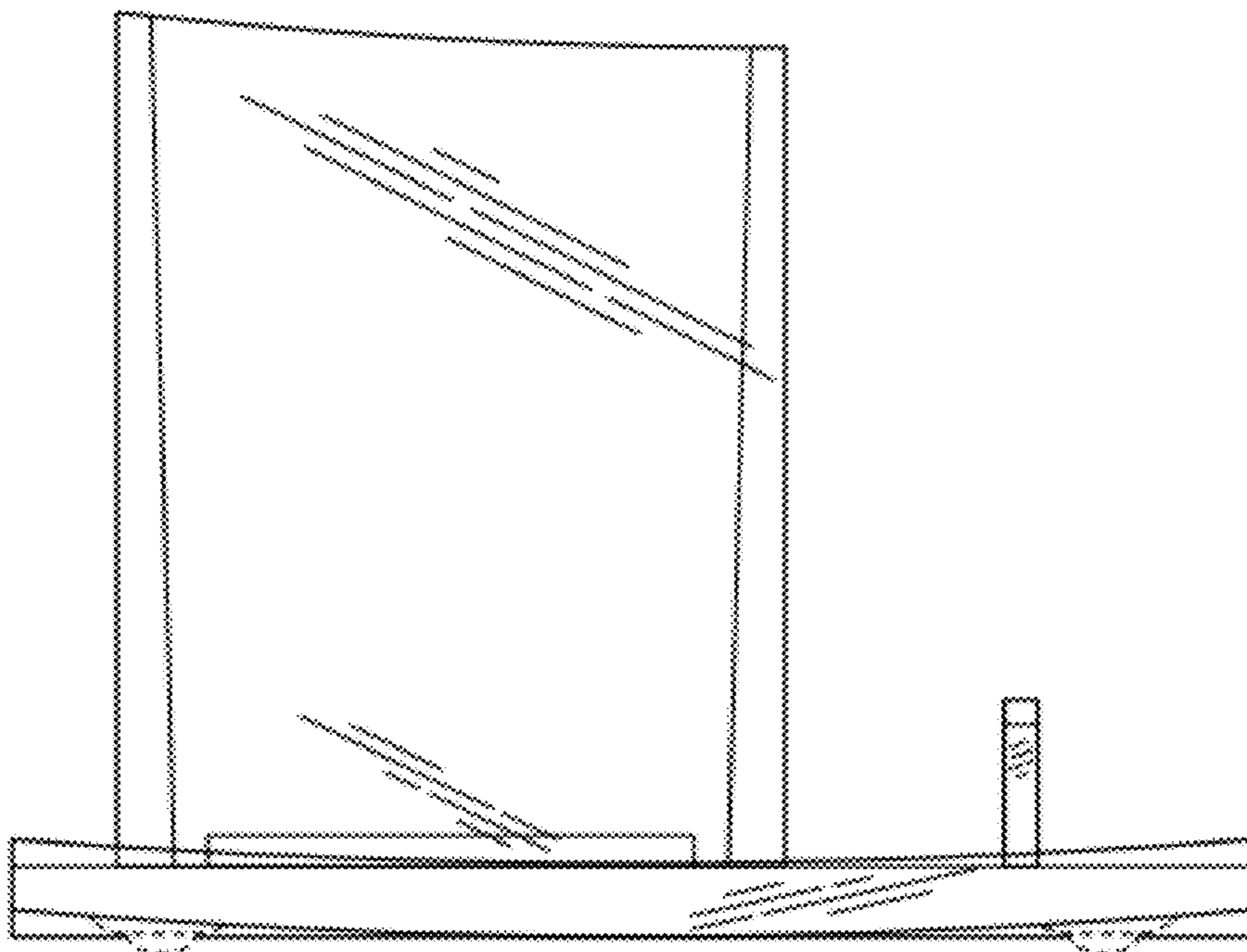


FIG. 5

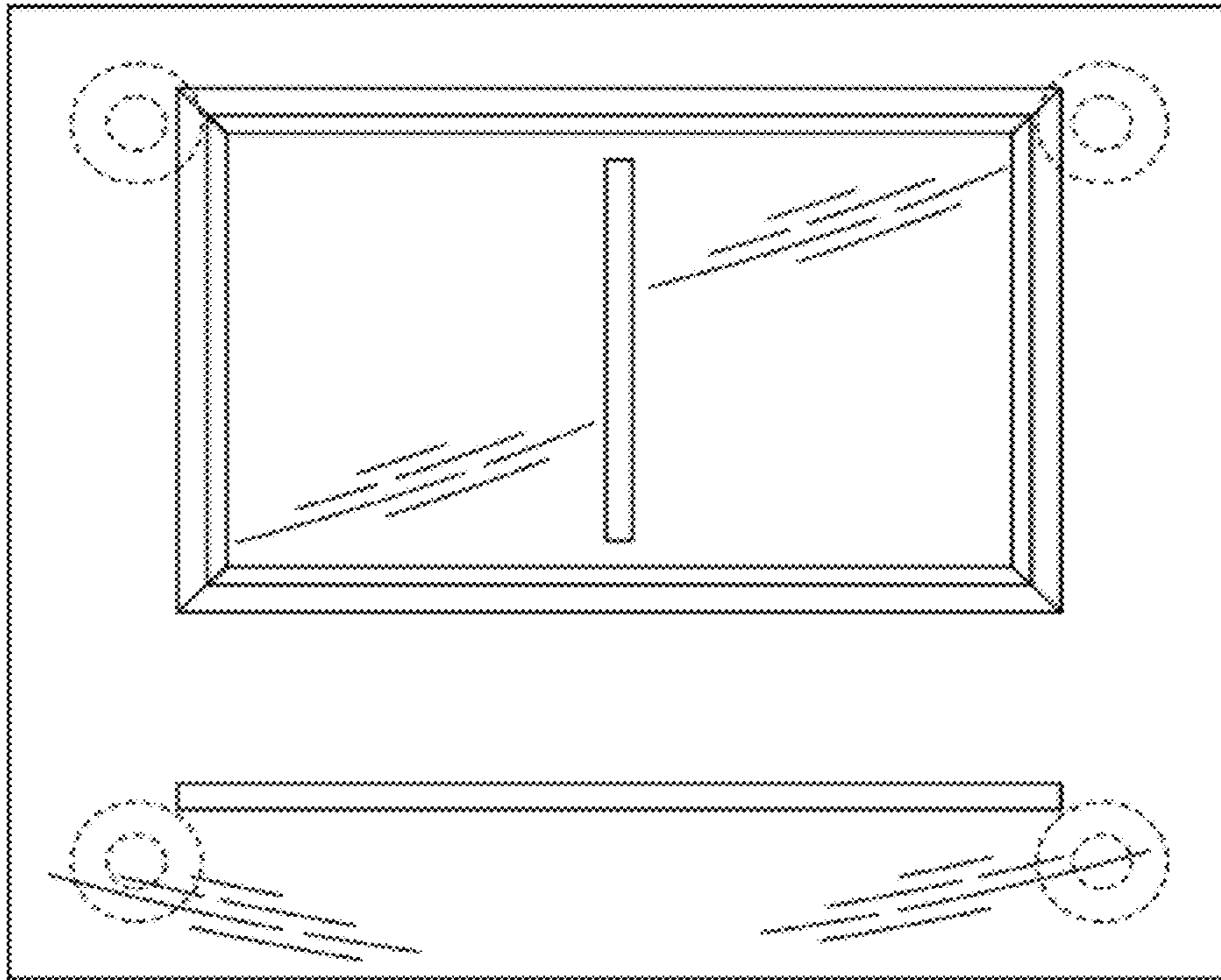


FIG. 6

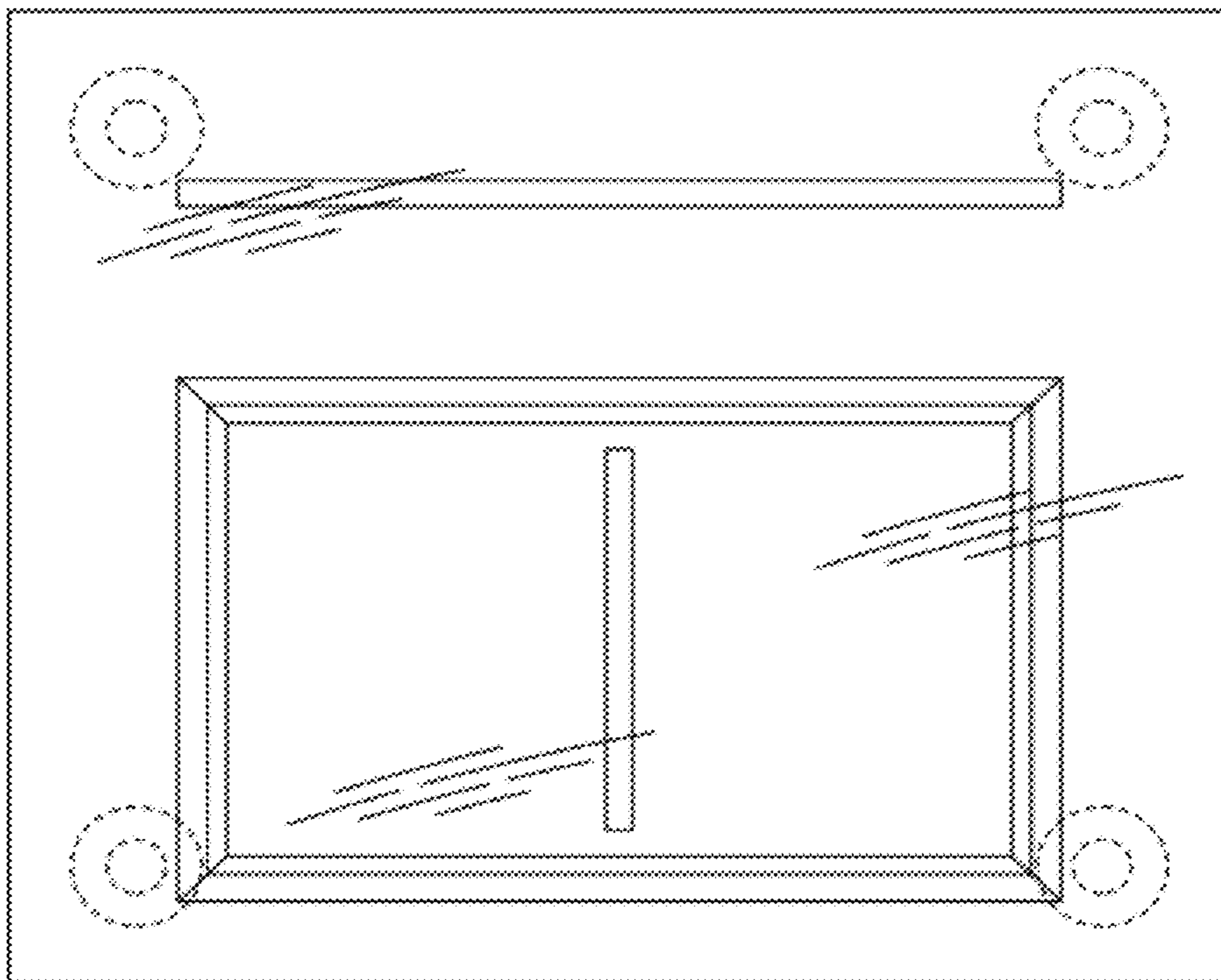


FIG. 7

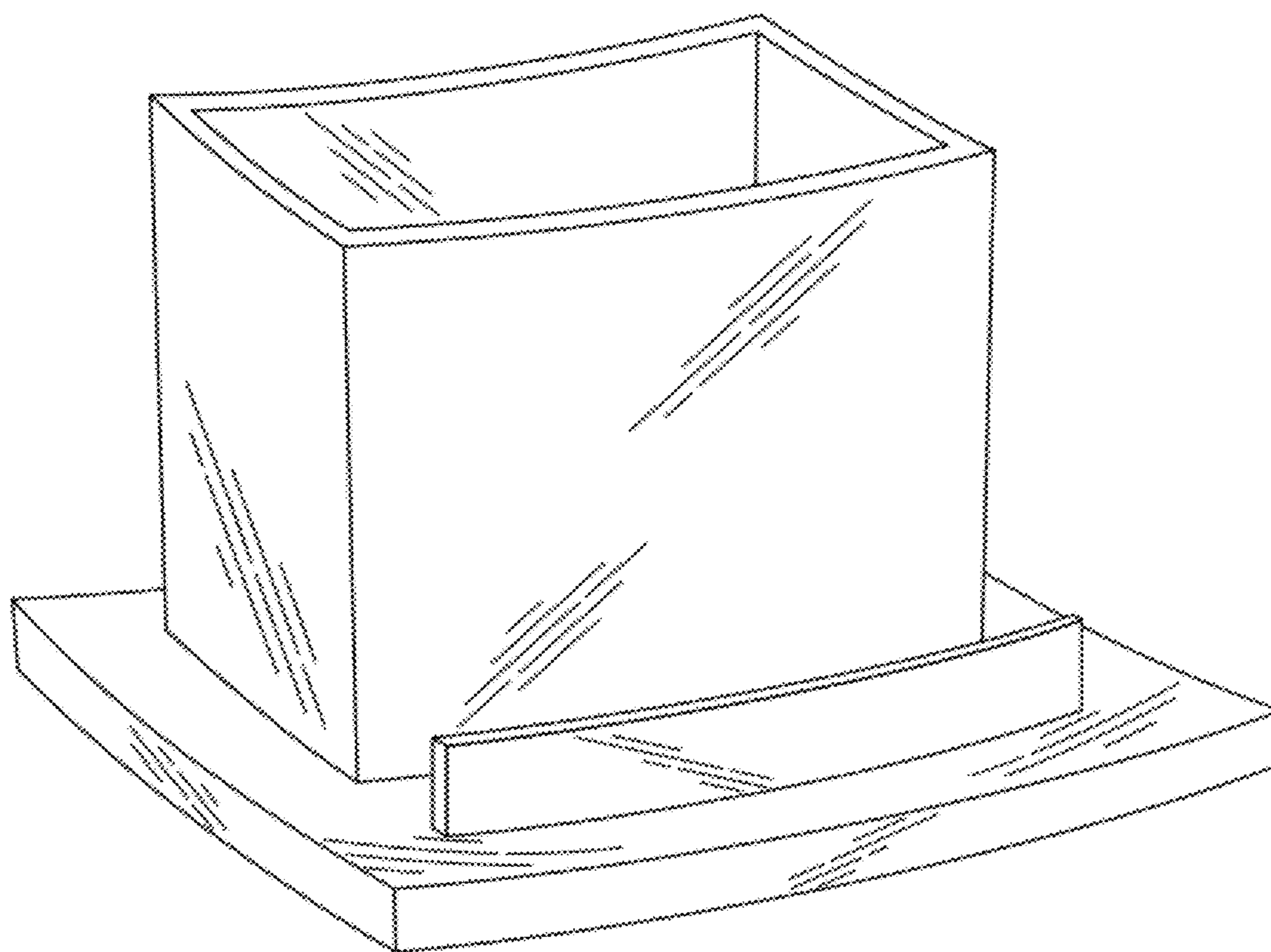


FIG. 8

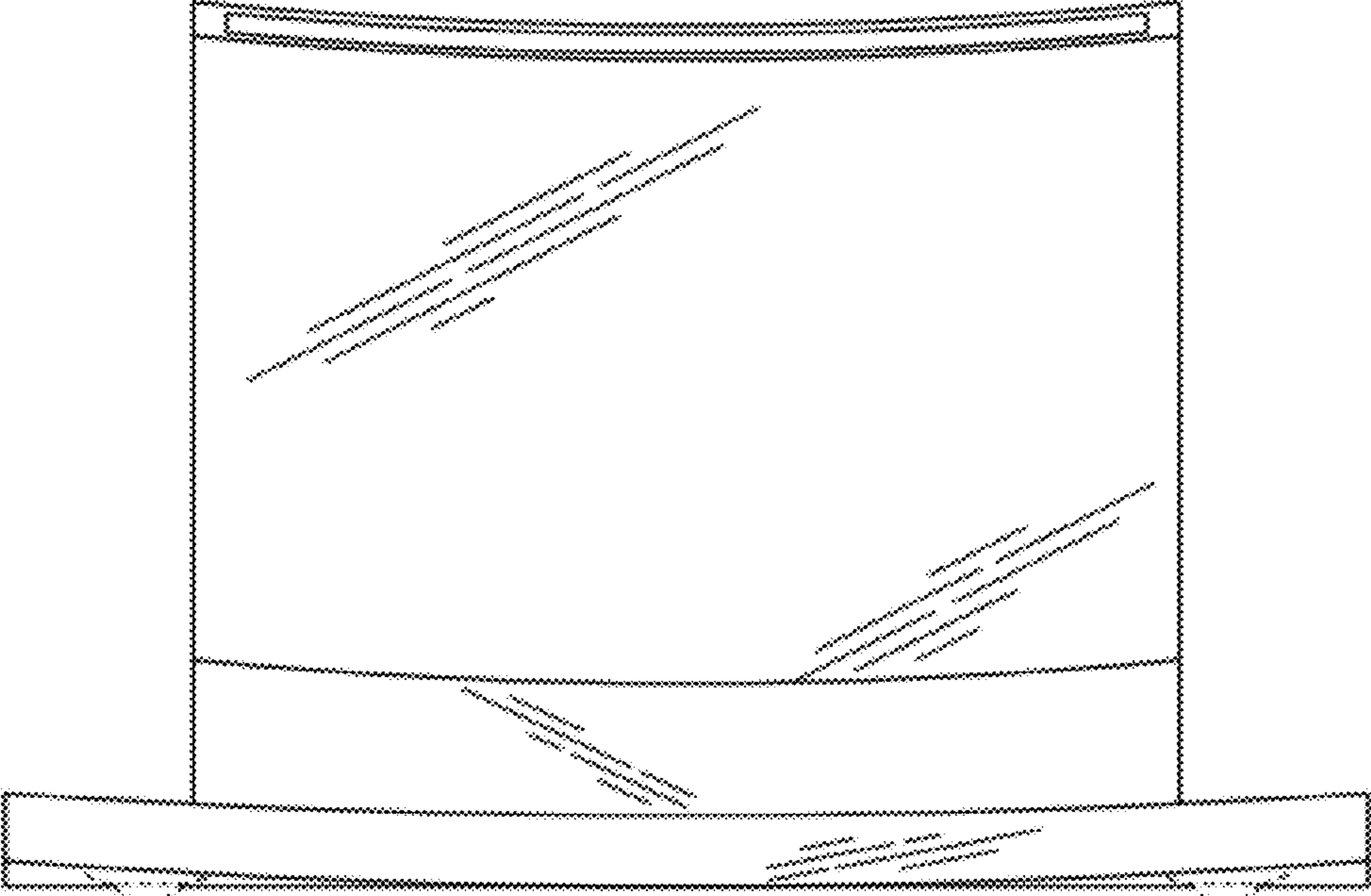


FIG. 9

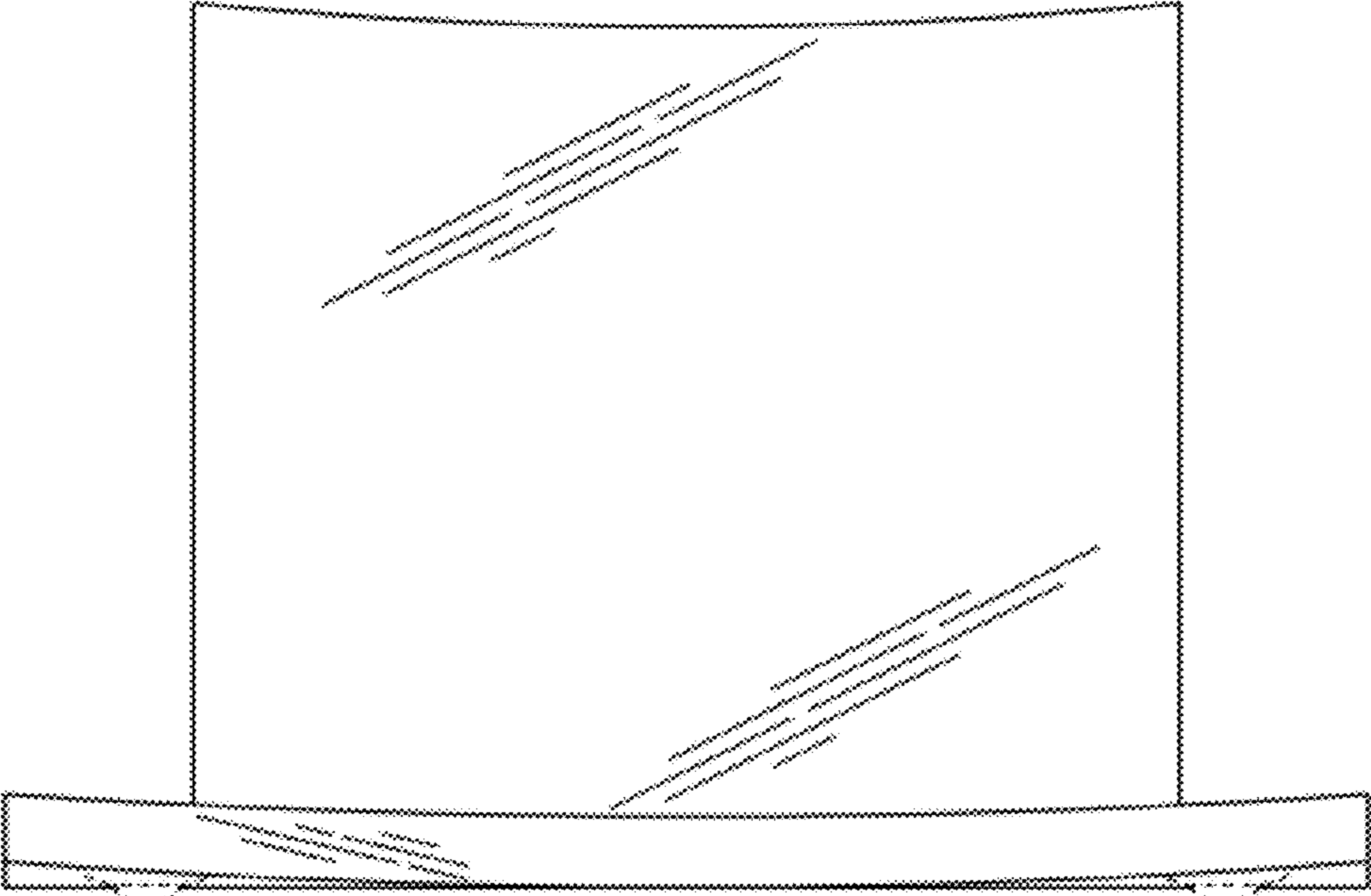


FIG. 10

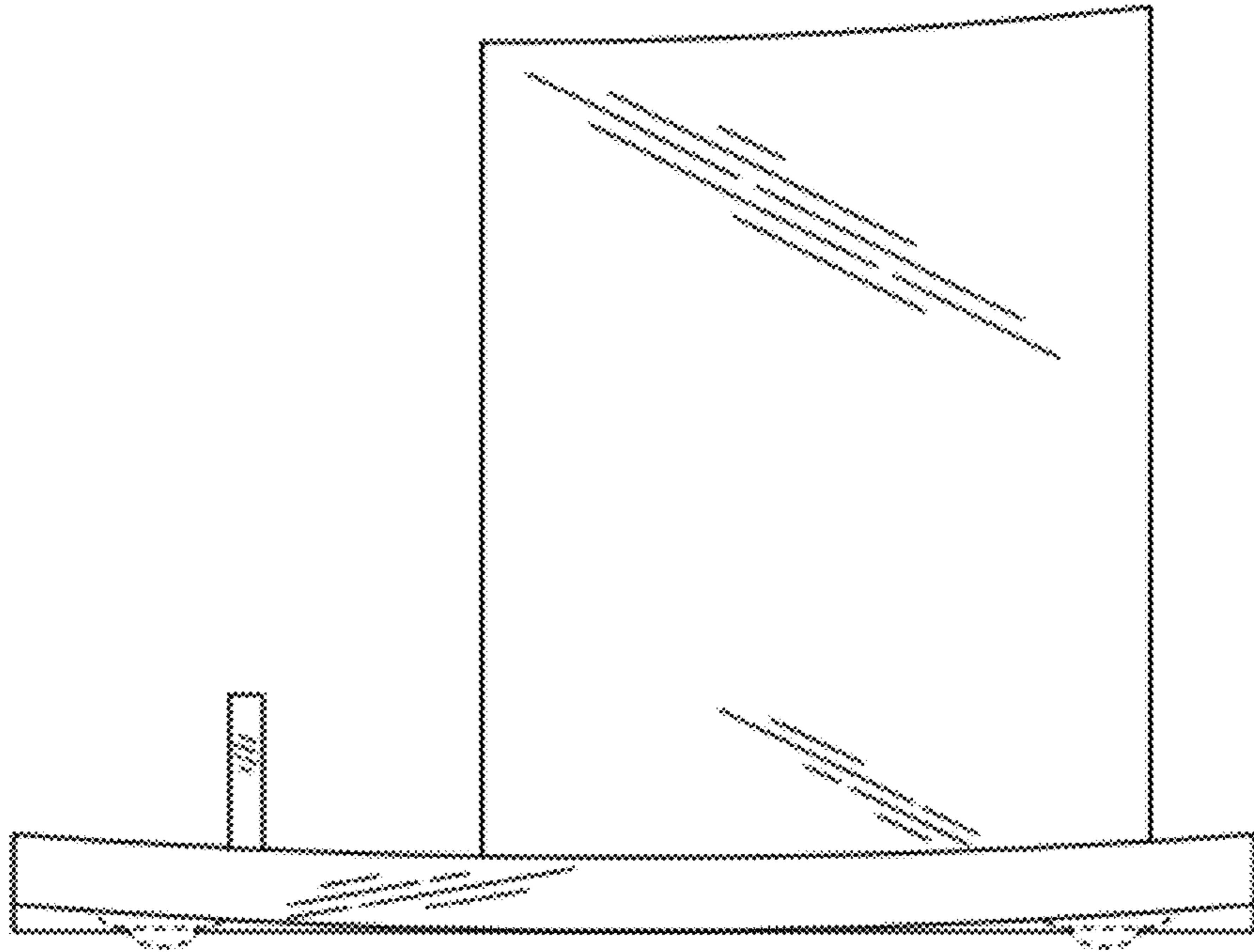


FIG. 11

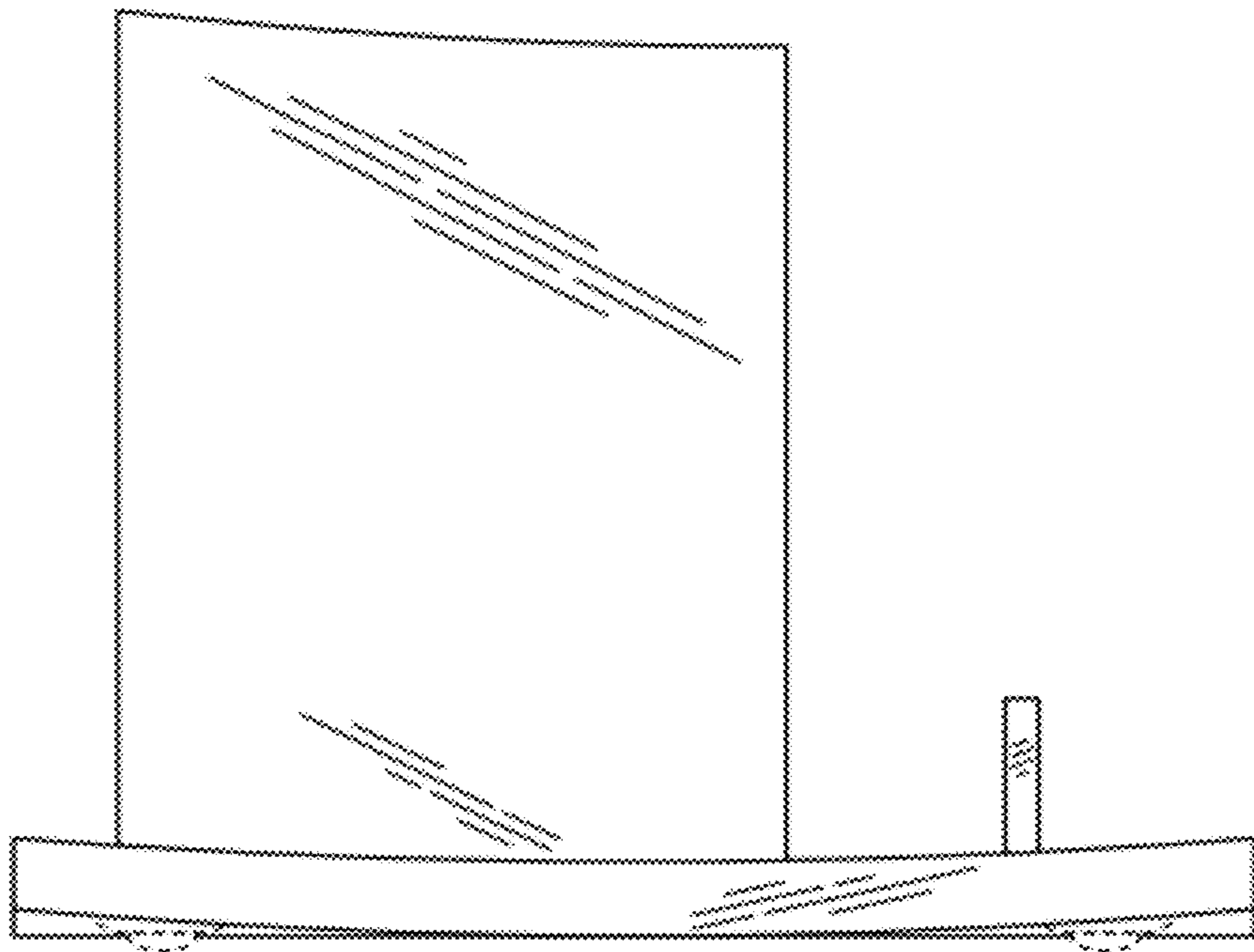


FIG. 12

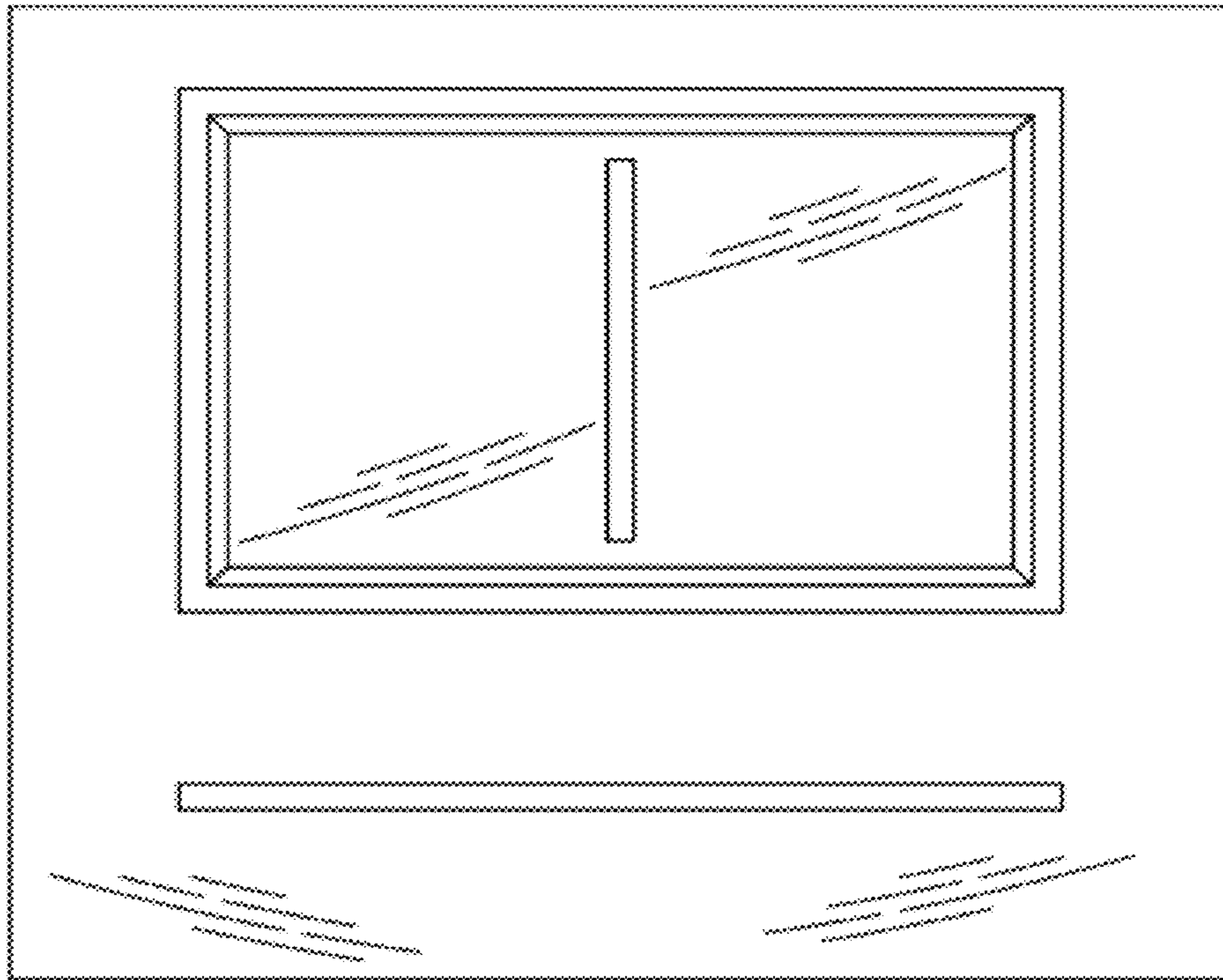


FIG. 13

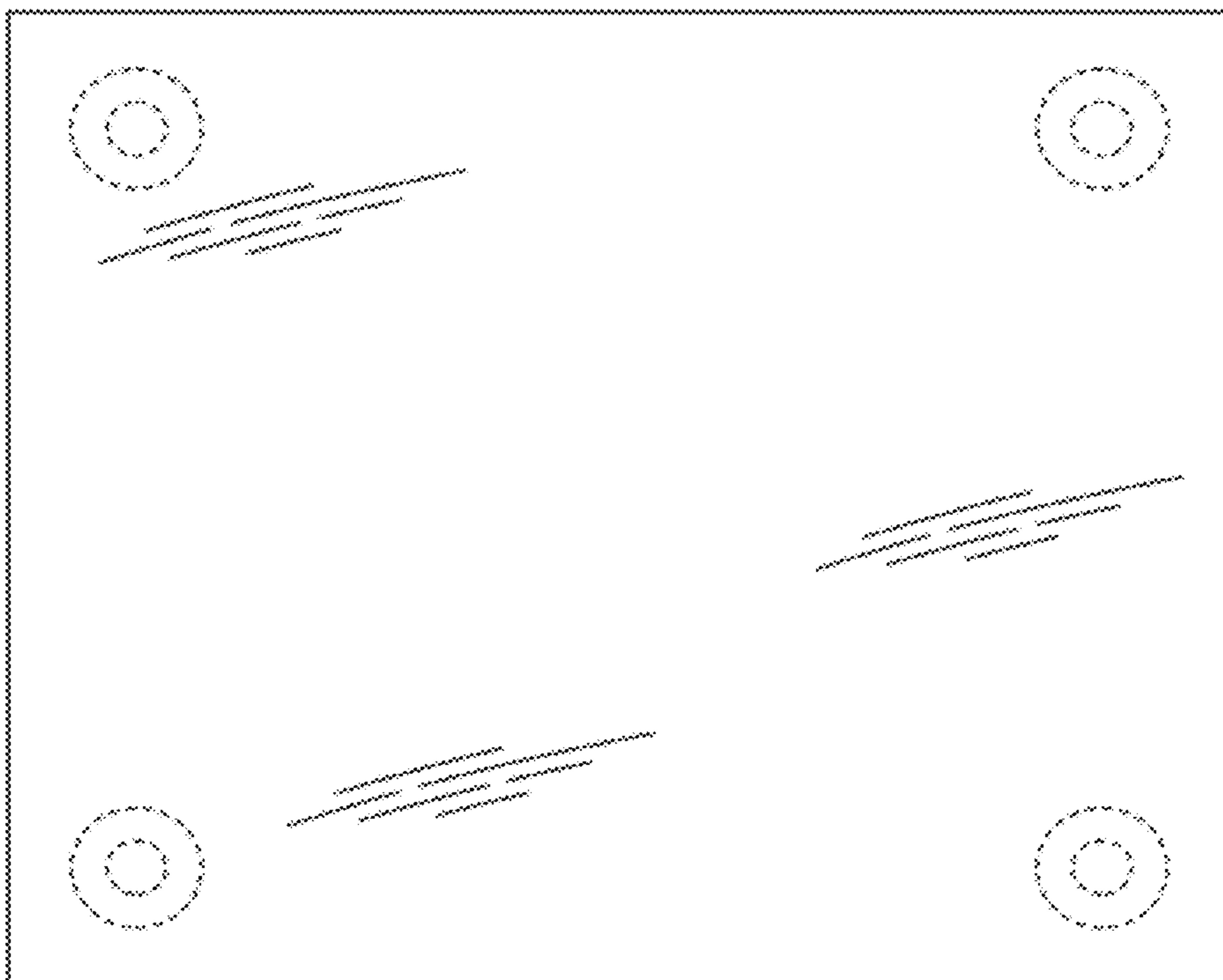


FIG. 14