

US00D665448S

(12) **United States Design Patent**
Ariga et al.

(10) **Patent No.:** **US D665,448 S**

(45) **Date of Patent:** **** Aug. 14, 2012**

(54) **REFILL CARTRIDGE FOR A FILM
DISPENSING TOOL FOR STATIONERY**

(75) Inventors: **Hiroyuki Ariga**, Tokyo (JP); **Kazui
Fueki**, Tokyo (JP); **Mari Takenaka**,
Tokyo (JP)

(73) Assignee: **Plus Corporation**, Tokyo (JP)

(**) Term: **14 Years**

(21) Appl. No.: **29/389,830**

(22) Filed: **Apr. 18, 2011**

(30) **Foreign Application Priority Data**

Nov. 15, 2010 (JP) 2010-027440

(51) **LOC (9) Cl.** **19-02**

(52) **U.S. Cl.** **D19/67**

(58) **Field of Classification Search** D19/66,
D19/67, 68, 69, 70; 156/523, 257, 540, 577;
206/411; 225/6, 25, 39, 77; 242/588, 588.1,
242/588.2, 588.3, 588.6, 5

See application file for complete search history.

(56) **References Cited**

U.S. PATENT DOCUMENTS

6,000,455 A * 12/1999 Semmler 156/540
D424,116 S * 5/2000 You D19/69
D452,273 S * 12/2001 Blom et al. D19/46
D476,368 S * 6/2003 Suzuki D19/69
6,732,782 B2 * 5/2004 Rollion 156/577
7,121,499 B2 * 10/2006 Lammers et al. 242/588.6
D555,201 S * 11/2007 Rushe et al. D19/69
D567,860 S * 4/2008 Rushe et al. D19/69
D577,384 S * 9/2008 Lin D19/69

D615,126 S * 5/2010 Syal D19/69
D619,655 S * 7/2010 Suzuki D19/69
D620,526 S * 7/2010 Suzuki D19/69
D652,082 S * 1/2012 Wu D19/69
D652,870 S * 1/2012 Wu D19/69
D659,762 S * 5/2012 Matsushita et al. D19/69
D661,353 S * 6/2012 Ariga D19/69
2005/0072529 A1 * 4/2005 Yonezawa et al. 156/540

* cited by examiner

Primary Examiner — Austin Murphy

(74) *Attorney, Agent, or Firm* — William J. Sapone;
Coleman Sudol Sapone P.C.

(57) **CLAIM**

We claim the ornamental design for a refill cartridge for a film dispensing tool for stationery, as shown and described.

DESCRIPTION

FIG. 1 is a front view of the refill cartridge for a film dispensing tool for stationery showing our new design, the design having transparent sections as illustrated in FIG. 8;

FIG. 2 is a rear view thereof;

FIG. 3 is a left side view thereof;

FIG. 4 is a right side view thereof;

FIG. 5 is a top view thereof;

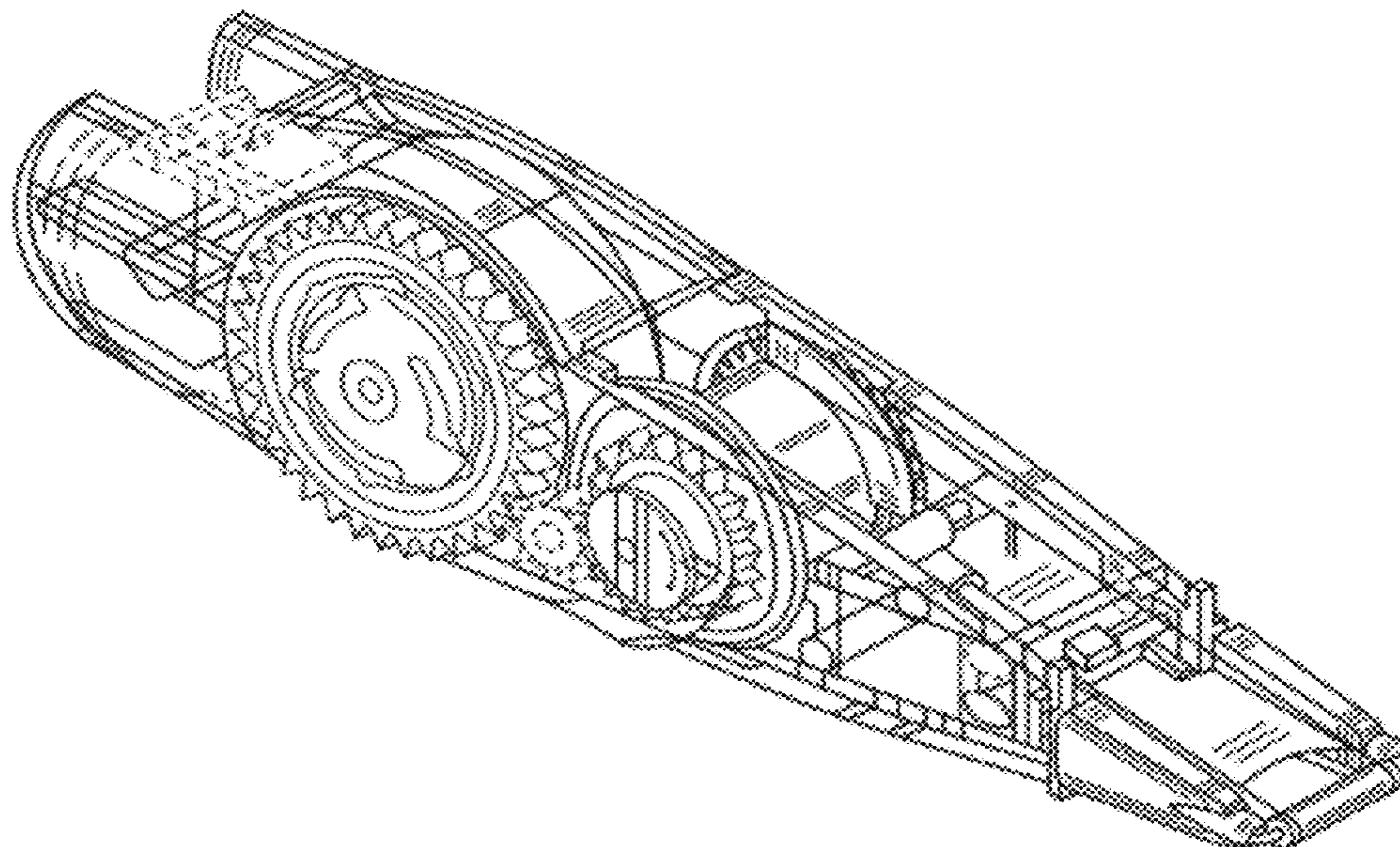
FIG. 6 is a bottom view thereof;

FIG. 7 is a front perspective view thereof; and,

FIG. 8 is a front perspective view of the refill cartridge for a film dispensing tool of FIG. 1 showing transparent sections with shading.

The broken lines showing various features in the drawings are for illustrative purposes only and those features form no part of the claimed design.

1 Claim, 4 Drawing Sheets



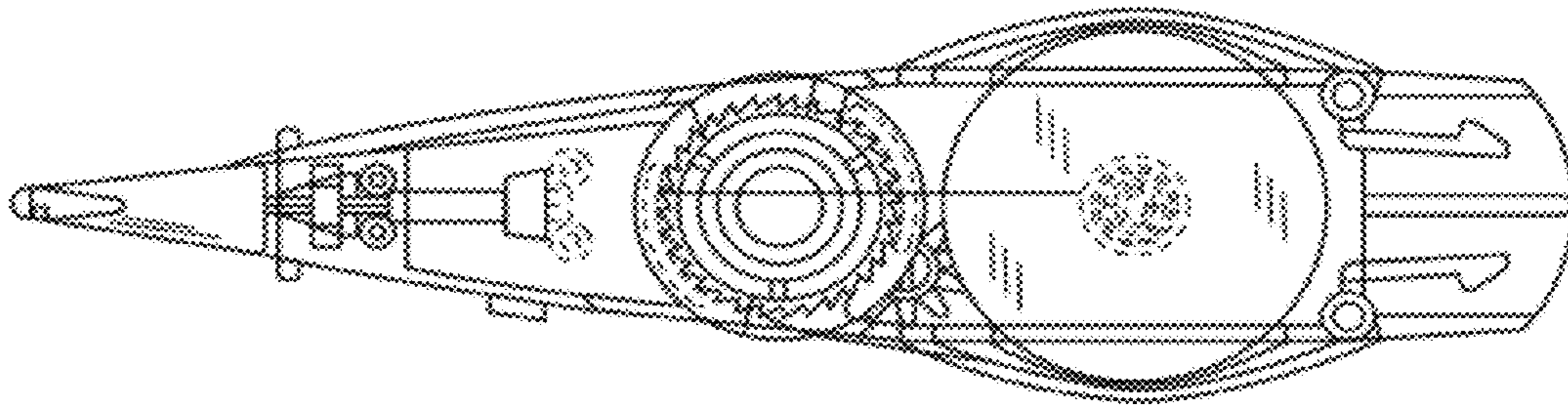


FIG. 1

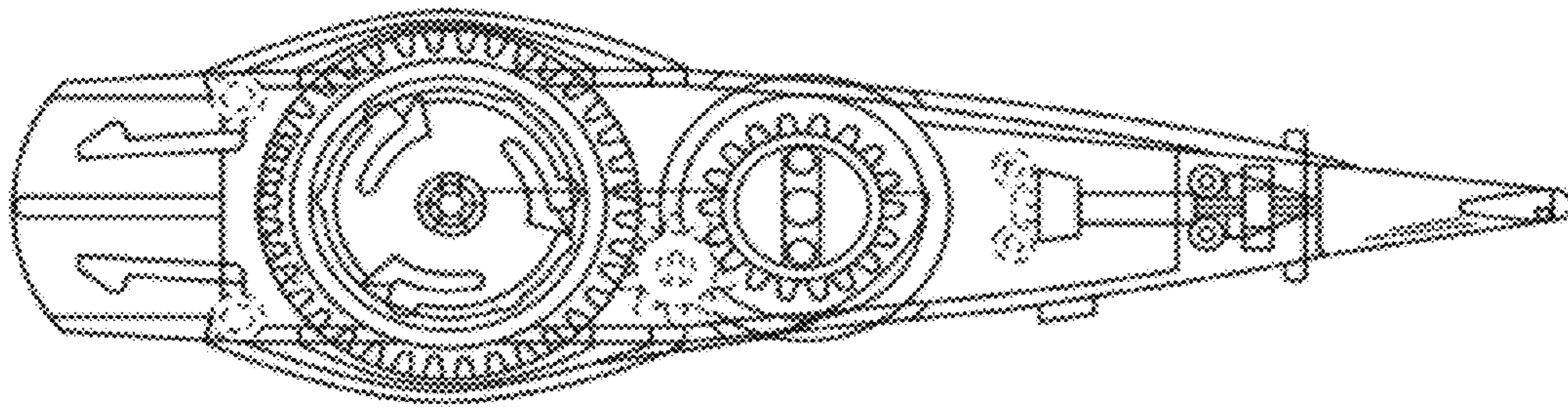


FIG. 2

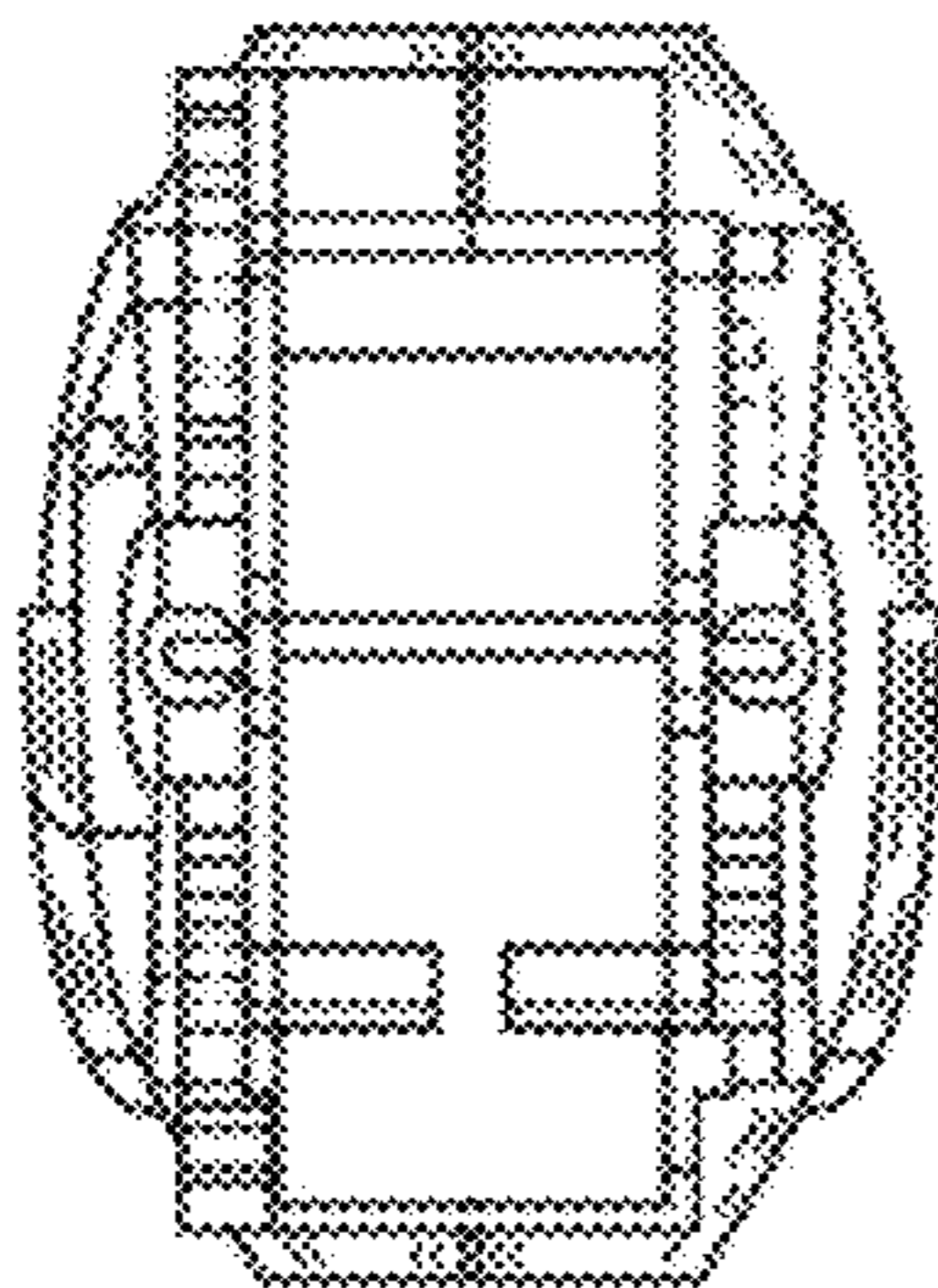


FIG. 3

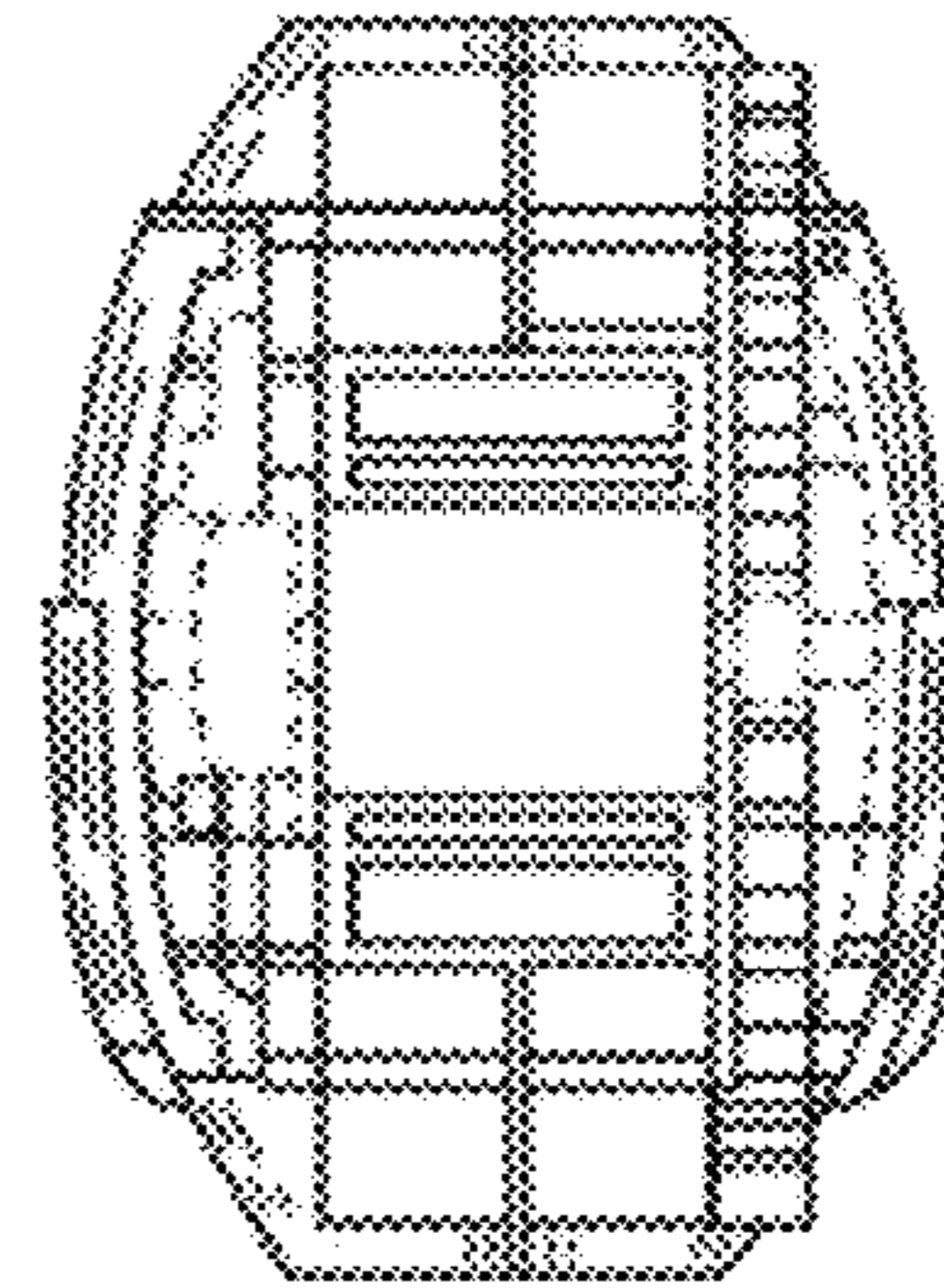


FIG. 4

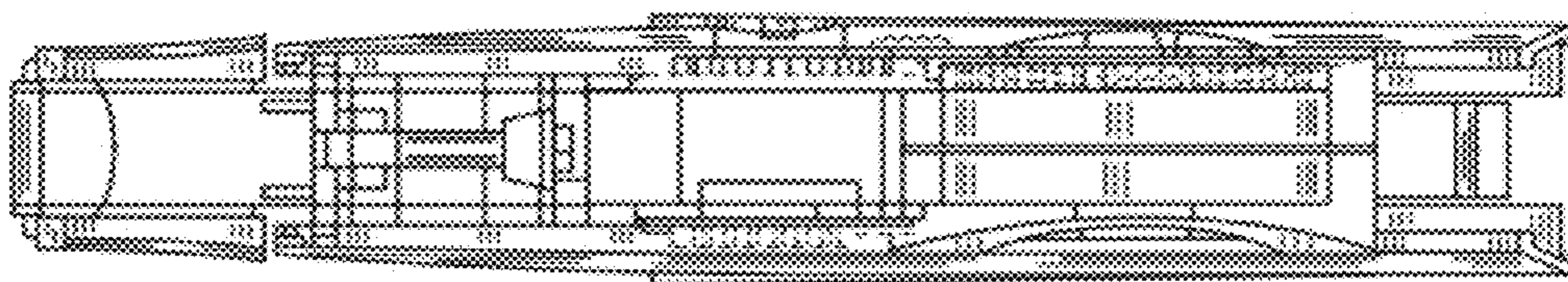


FIG. 5

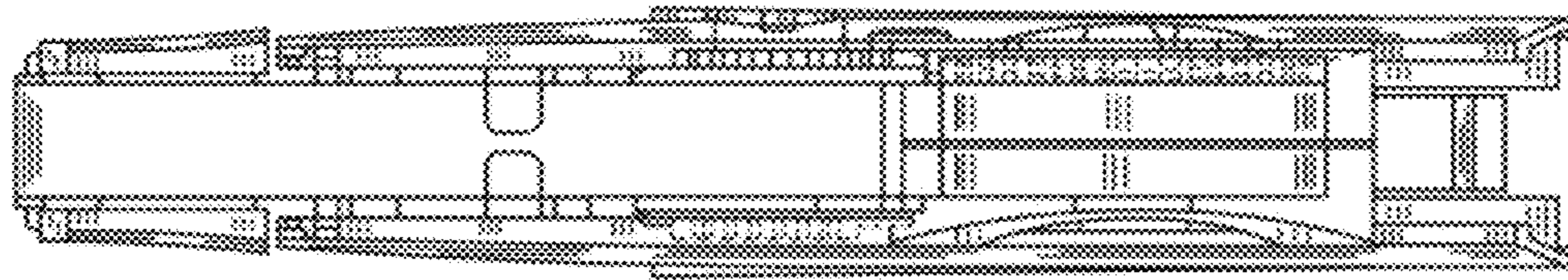


FIG. 6

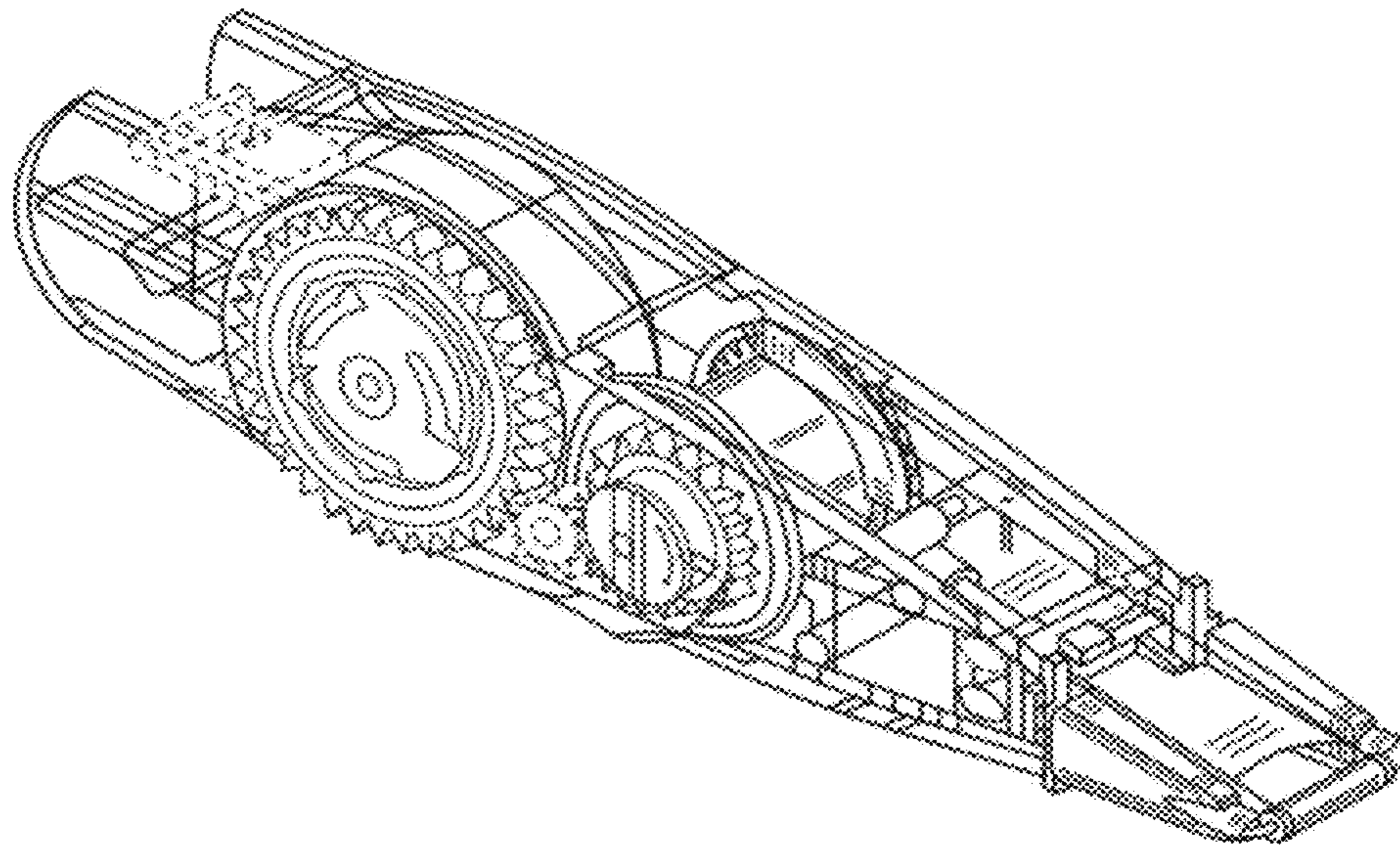


FIG. 7

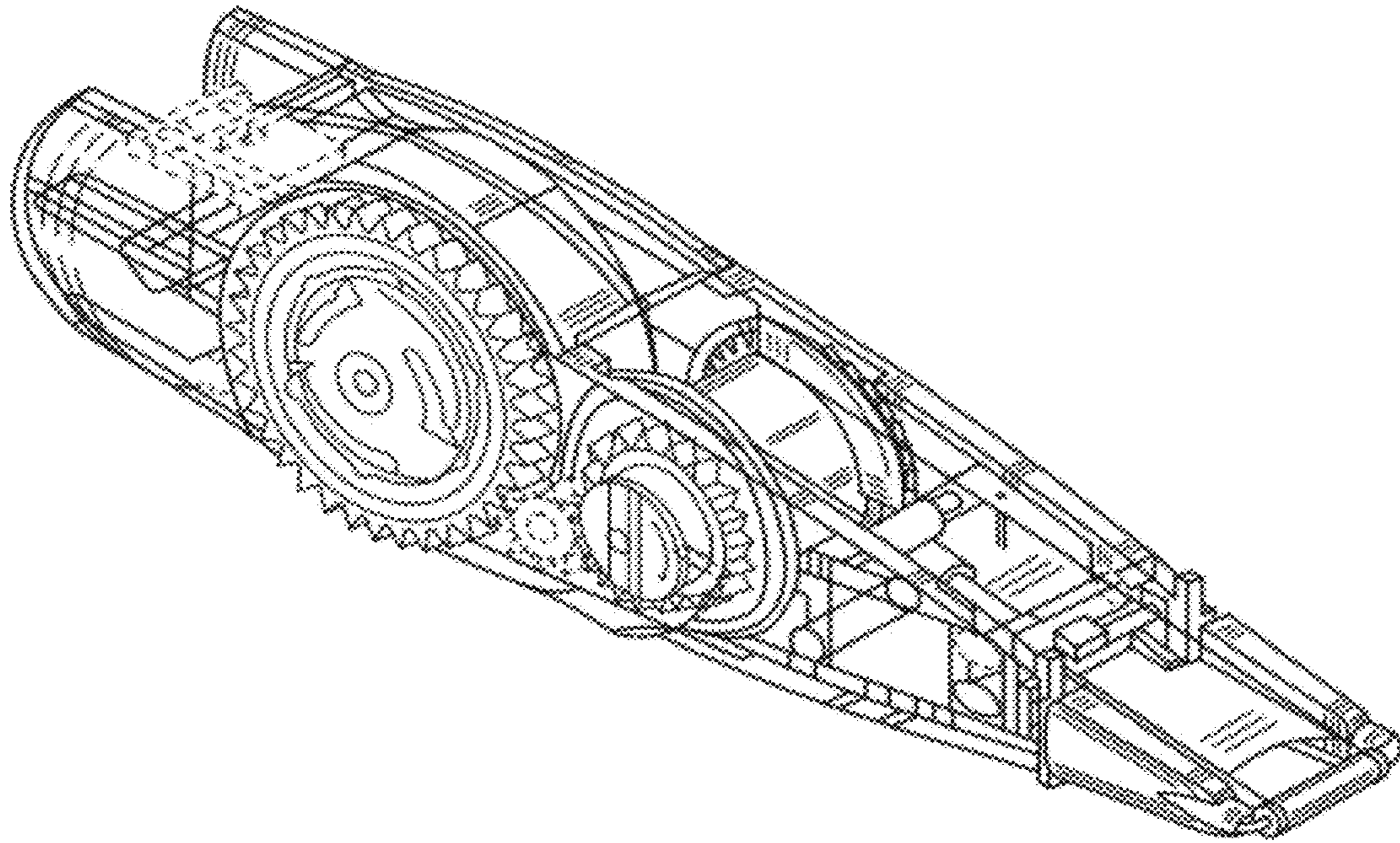


FIG. 8