



US00D665445S

(12) **United States Design Patent**  
**Emmenegger et al.**

(10) **Patent No.:** **US D665,445 S**

(45) **Date of Patent:** **\*\* Aug. 14, 2012**

(54) **MULTI-FUNCTION IMAGING AND PRINTING DEVICE**

(75) Inventors: **Stephan W. Emmenegger**, San Diego, CA (US); **Haseeb Yusef**, Vancouver, WA (US); **Justin Francke**, San Diego, CA (US)

(73) Assignee: **Hewlett-Packard Development Company, L.P.**, Houston, TX (US)

(\*\*) Term: **14 Years**

(21) Appl. No.: **29/388,774**

(22) Filed: **Apr. 1, 2011**

(51) **LOC (9) Cl.** ..... **14-02**

(52) **U.S. Cl.** ..... **D18/50**

(58) **Field of Classification Search** ..... D18/36-37, D18/50, 54, 54.1, 55; D14/420-425, 462-470; 400/613, 613.1-613.4, 690.1-691.4, 691-694  
See application file for complete search history.

(56) **References Cited**

U.S. PATENT DOCUMENTS

D289,050 S \* 3/1987 Wilson et al. .... D18/54.1  
D332,278 S \* 1/1993 Miyamoto ..... D18/12

D343,409 S \* 1/1994 Kobayashi ..... D18/50  
D370,690 S \* 6/1996 Pangburn et al. .... D18/39  
D609,237 S \* 2/2010 Romanoff et al. .... D14/422  
D643,039 S \* 8/2011 Wilday et al. .... D14/422  
D645,897 S \* 9/2011 Chuang et al. .... D18/50

\* cited by examiner

*Primary Examiner* — Cathy A MacCormac

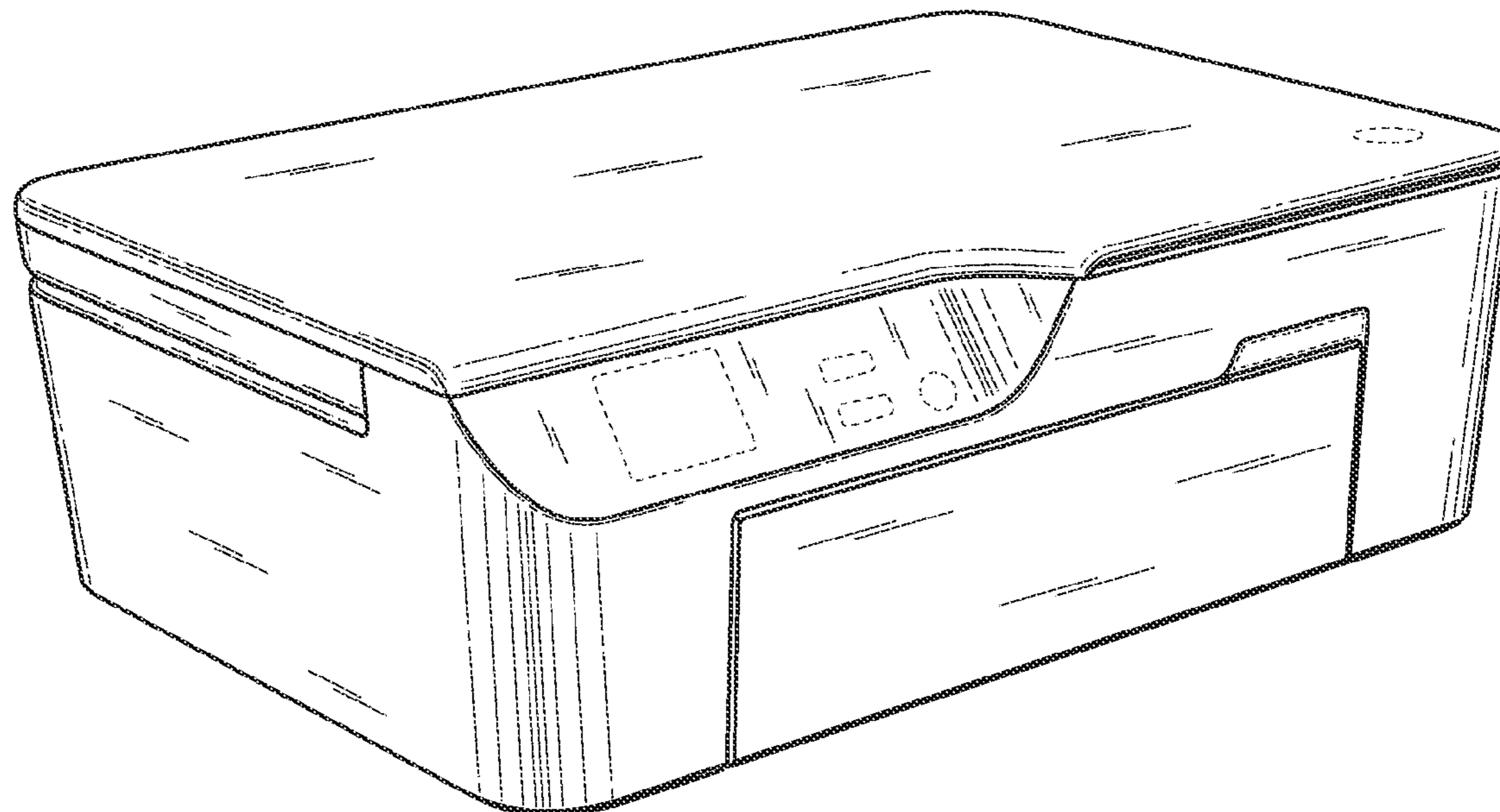
(57) **CLAIM**

The ornamental design for a multi-function imaging and printing device, substantially as shown and described.

**DESCRIPTION**

FIG. 1 is a left-front perspective view of the design for the multi-function imaging and printing device;  
FIG. 2 is a front view thereof;  
FIG. 3 is a rear view thereof;  
FIG. 4 is a top view thereof;  
FIG. 5 is a bottom view thereof;  
FIG. 6 is a right side view thereof; and,  
FIG. 7 is a left side view thereof.  
The portions shown in broken lines are for illustrative purposes only and form no part of the claimed design.

**1 Claim, 7 Drawing Sheets**



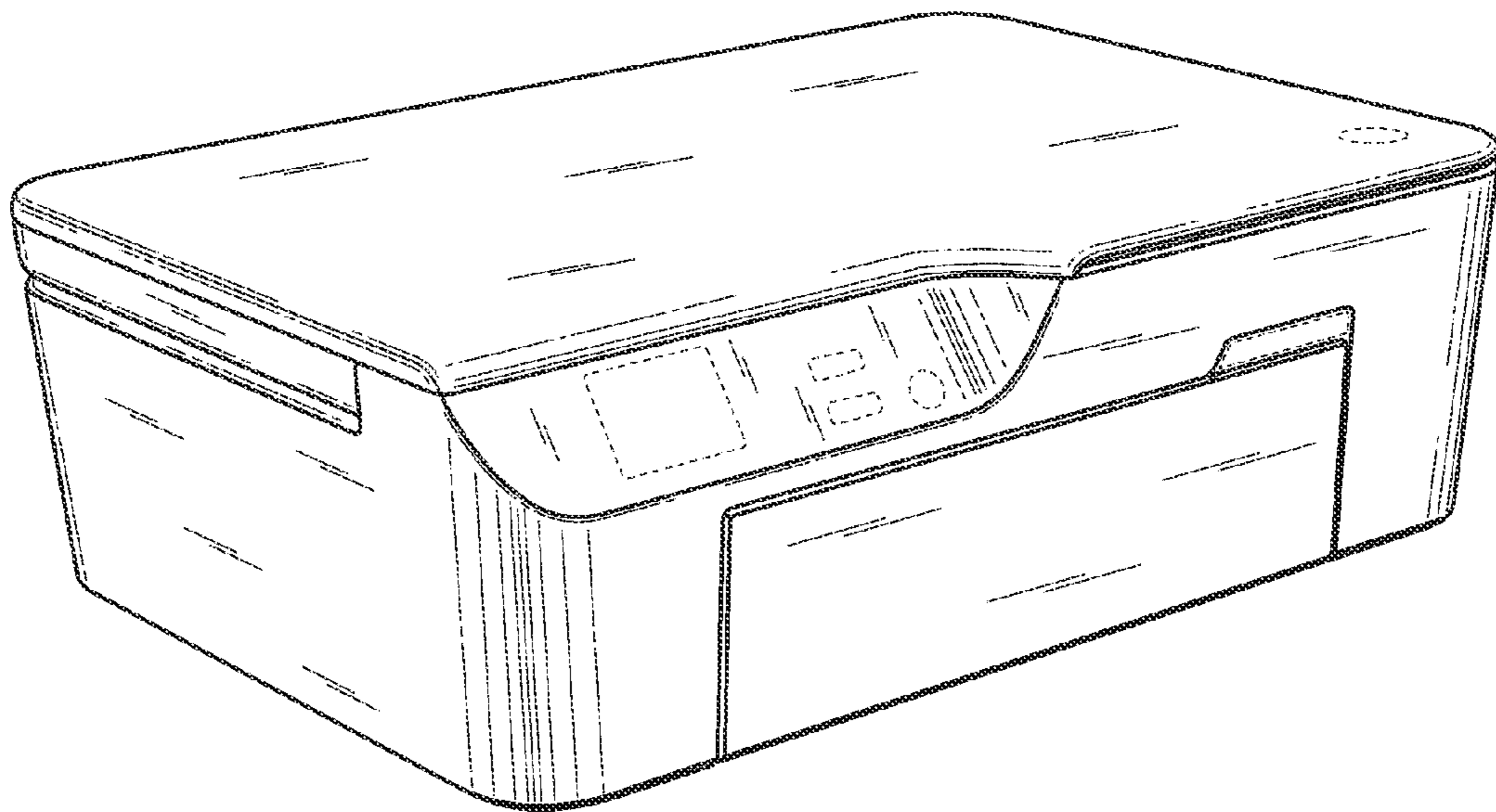


Fig. 1

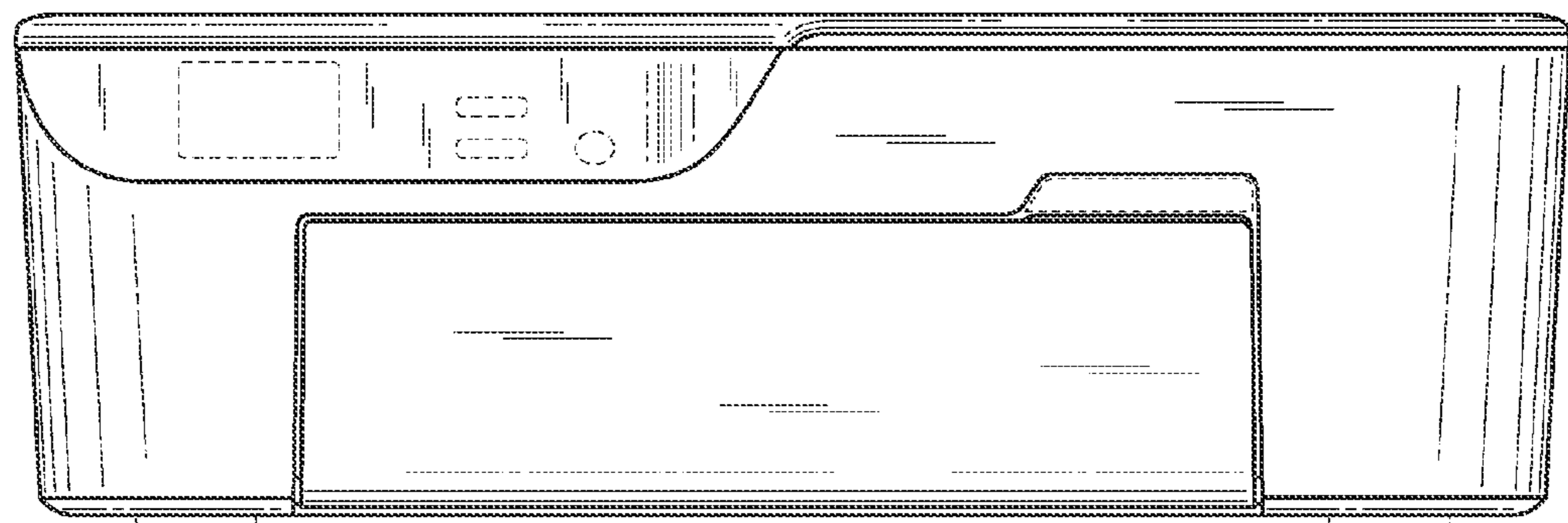


Fig. 2

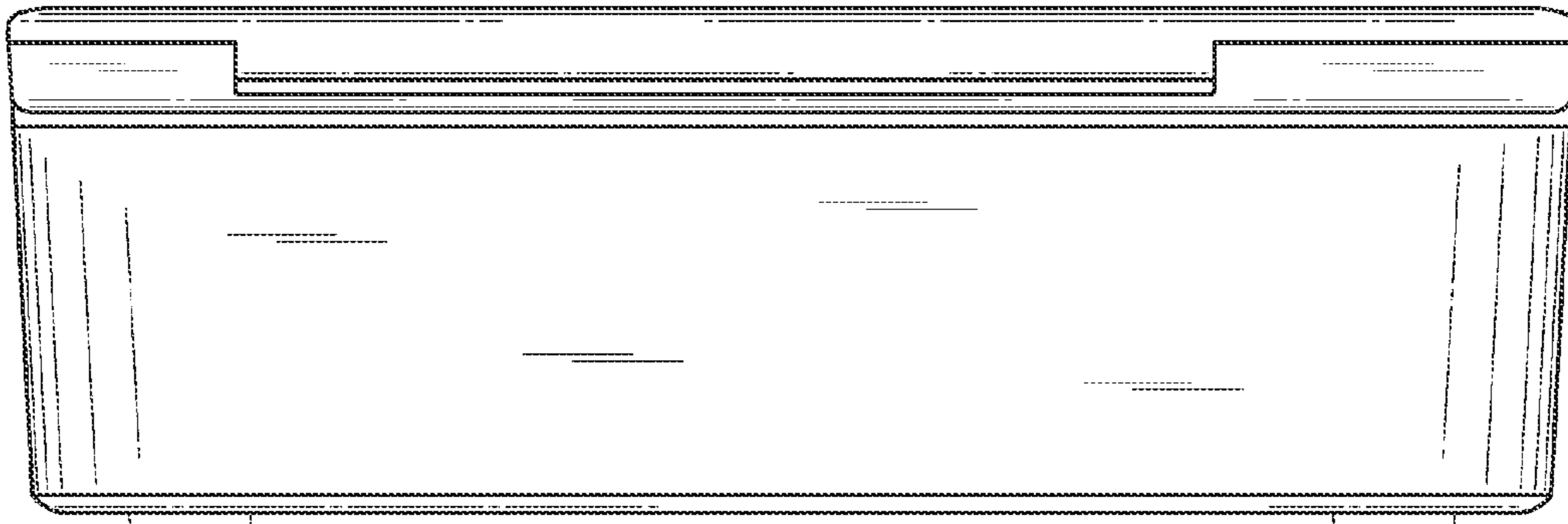


Fig. 3

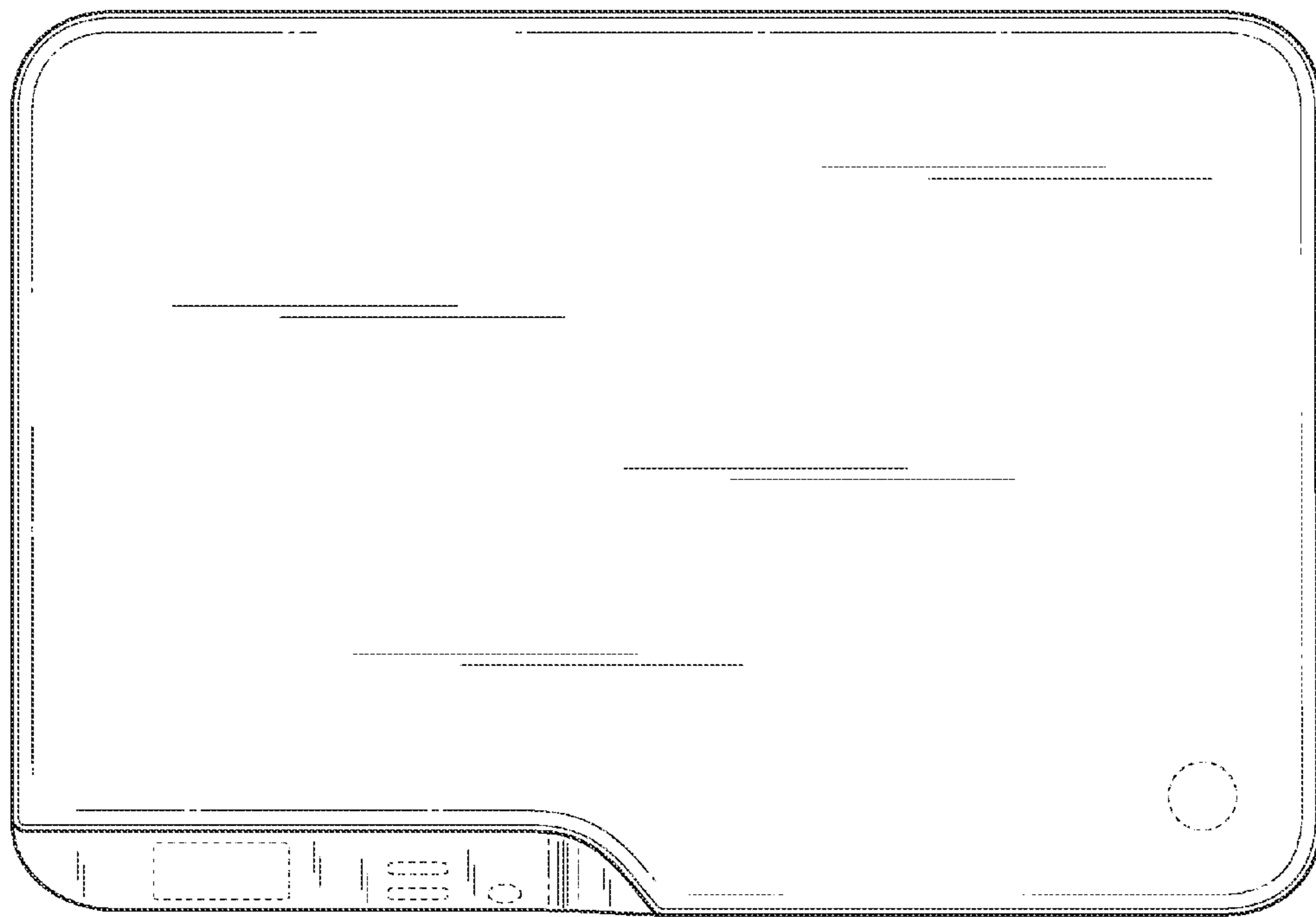


Fig. 4

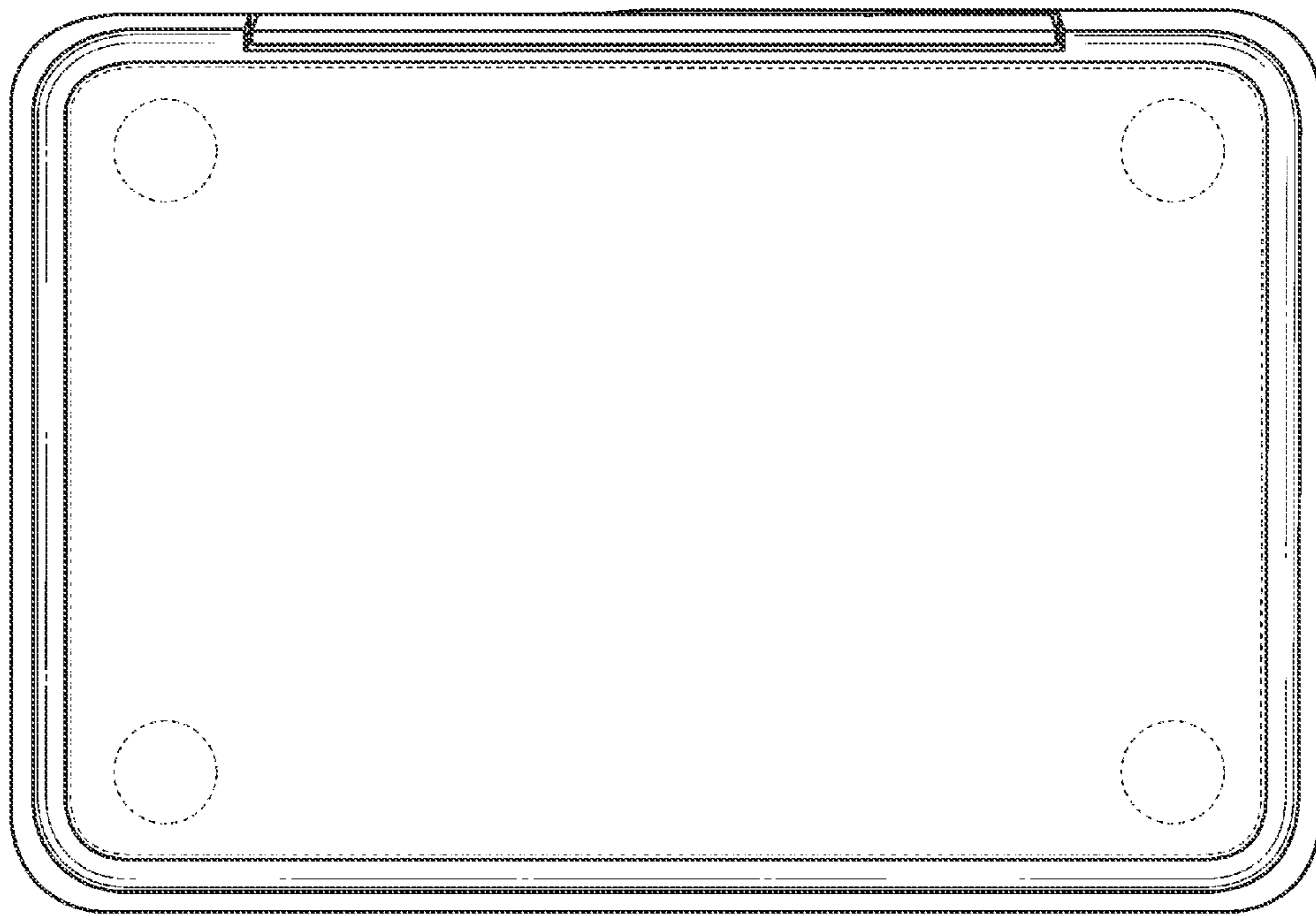


Fig. 5

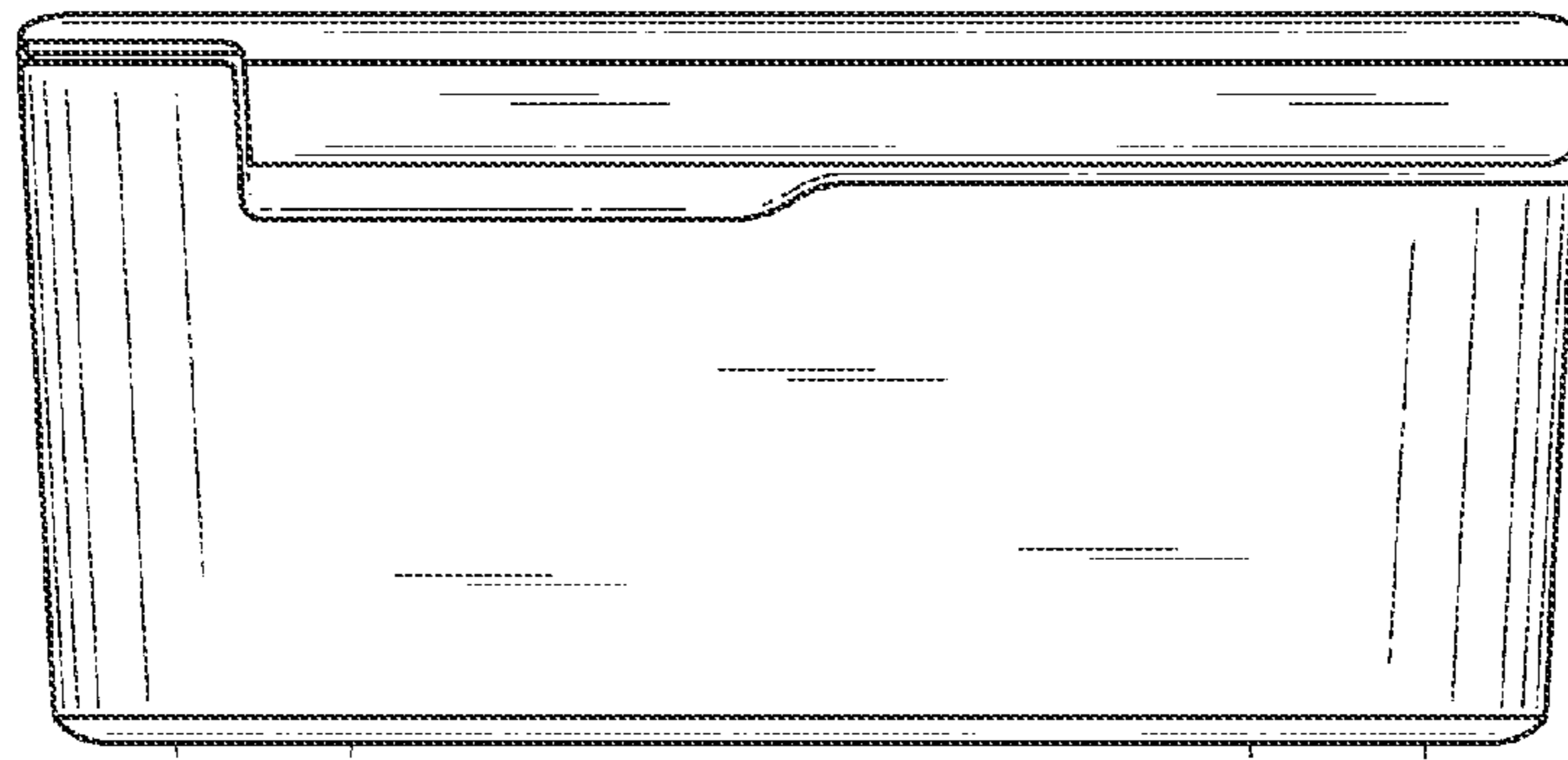


Fig. 6

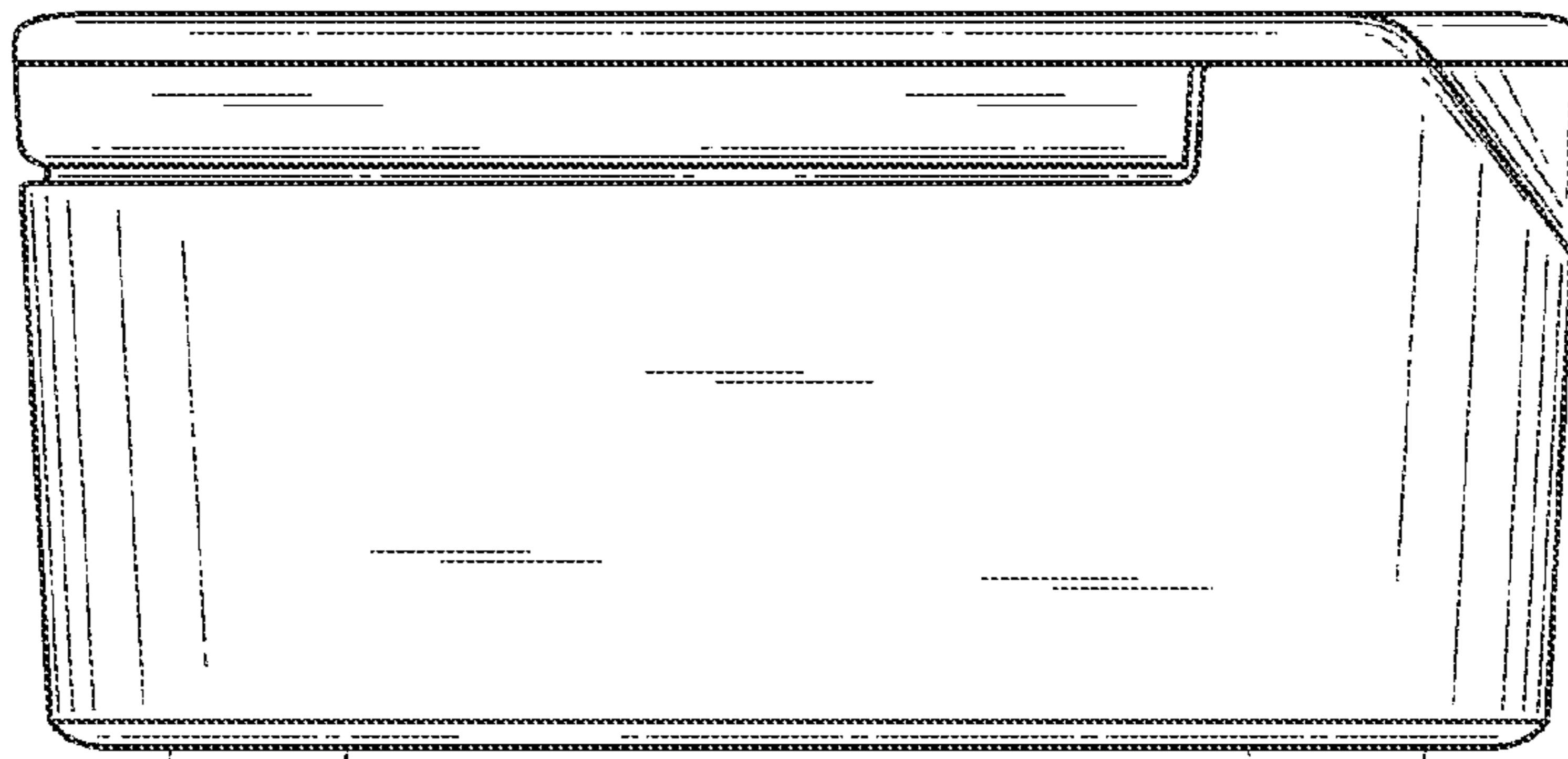


Fig. 7