



US00D665442S

(12) **United States Design Patent**
Tzeng

(10) **Patent No.:** **US D665,442 S**

(45) **Date of Patent:** **** Aug. 14, 2012**

(54) **MICRO PROJECTOR**

(75) Inventor: **Guan-Hua Tzeng**, New Taipei (TW)

(73) Assignee: **Cheng Uei Precision Industry Co., Ltd.**, New Taipei (TW)

(**) Term: **14 Years**

(21) Appl. No.: **29/387,319**

(22) Filed: **Mar. 11, 2011**

(51) **LOC (9) Cl.** **16-02**

(52) **U.S. Cl.** **D16/229; D16/225**

(58) **Field of Classification Search** D16/205,
D16/208, 212, 213, 221, 225, 229, 230–231,
D16/234, 232; D21/514; D14/426, 125,
D14/128–129; 353/39, 115, 119, 122
See application file for complete search history.

(56) **References Cited**

U.S. PATENT DOCUMENTS

D317,616	S	*	6/1991	Shiiba	D16/232
5,416,541	A	*	5/1995	Fog	353/119
5,630,659	A	*	5/1997	Ronzani et al.	353/119
5,868,484	A	*	2/1999	Chikauchi et al.	353/119
D491,971	S	*	6/2004	Oross et al.	D16/225
D498,782	S	*	11/2004	Ooshima	D16/229
7,059,732	B2	*	6/2006	Oross et al.	353/119

D569,408	S	*	5/2008	Solomon et al.	D16/229
D599,834	S	*	9/2009	Cheng et al.	D16/229
2005/0173276	A1	*	8/2005	Hsu	206/320

OTHER PUBLICATIONS

Samsung MBP200 Pico projector. [Retrieved on May 23, 2012]. Retrieved from the Internet: <URL: <http://www.ces-show.com/0294/samsung/projectors/pico-projector-mbp200/>>.*

* cited by examiner

Primary Examiner — Wan Laymon

(74) *Attorney, Agent, or Firm* — WPAT, P.C.; Anthony King

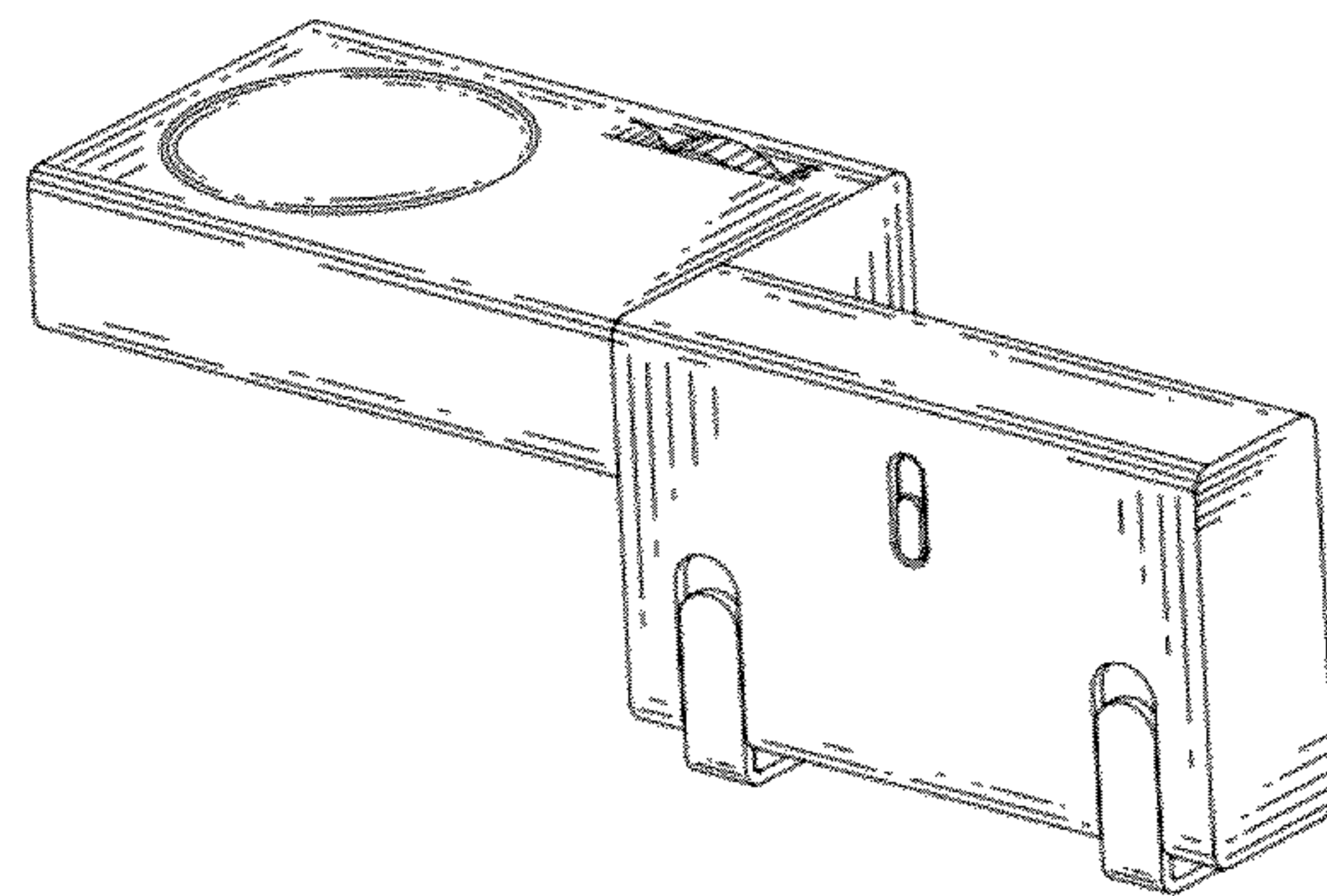
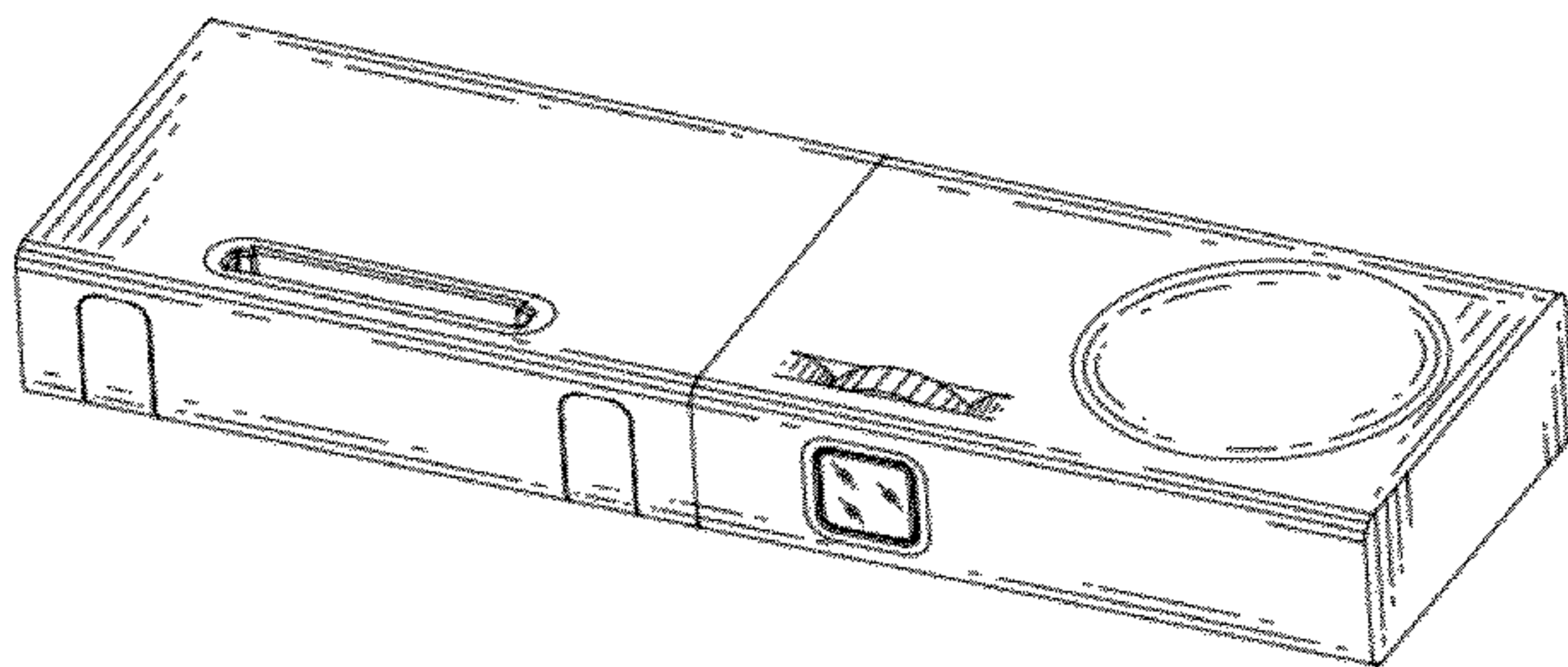
(57) **CLAIM**

The ornamental design for a micro projector, as shown and described.

DESCRIPTION

FIG. 1 is a perspective view of a micro projector showing my new design;
FIG. 2 is a front elevational view thereof;
FIG. 3 is a rear elevational view thereof;
FIG. 4 is a left side elevational view thereof;
FIG. 5 is a right side elevational view thereof;
FIG. 6 is a top plan view thereof;
FIG. 7 is a bottom plan view thereof;
FIG. 8 is a perspective view showing the micro projector in an using state; and,
FIG. 9 is a perspective view showing the micro projector in an using state, with a height adjuster applied to adjust the height of the micro projector.

1 Claim, 9 Drawing Sheets



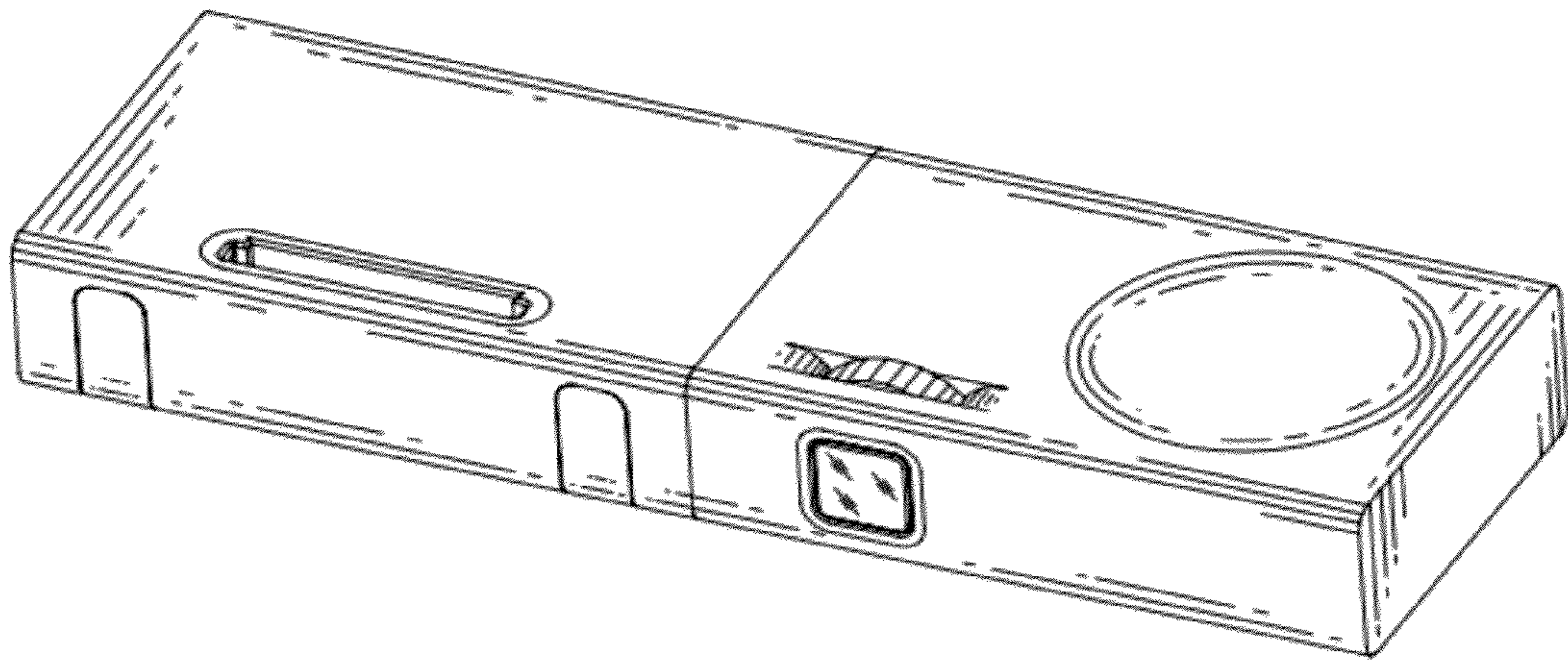


FIG. 1

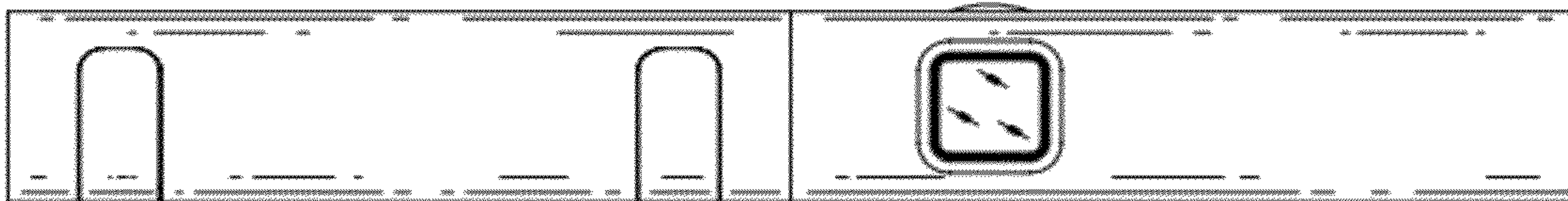


FIG. 2

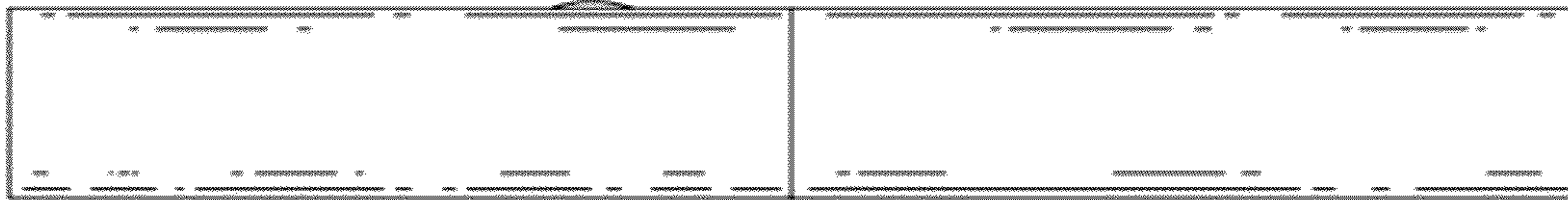


FIG. 3



FIG. 4



FIG. 5

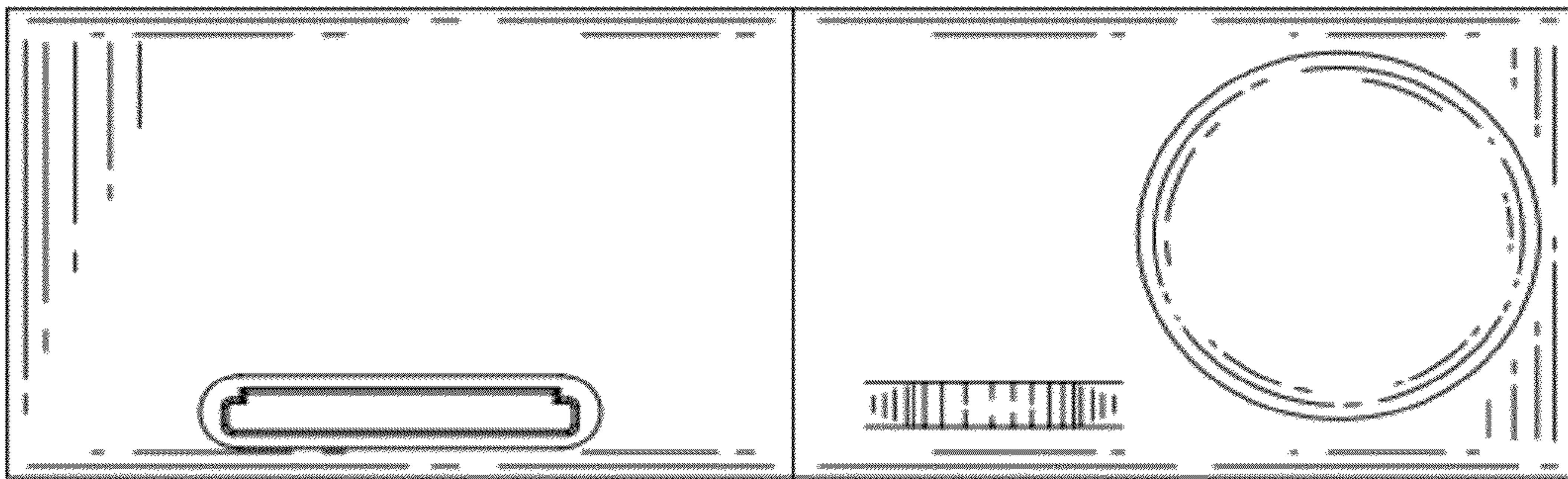


FIG. 6

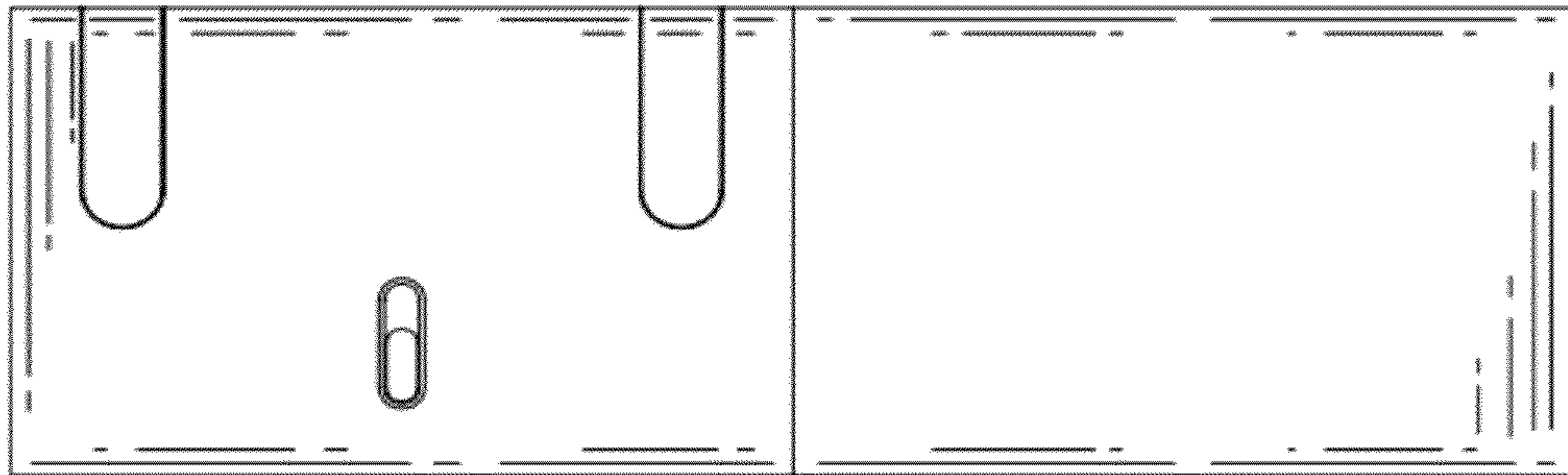


FIG. 7

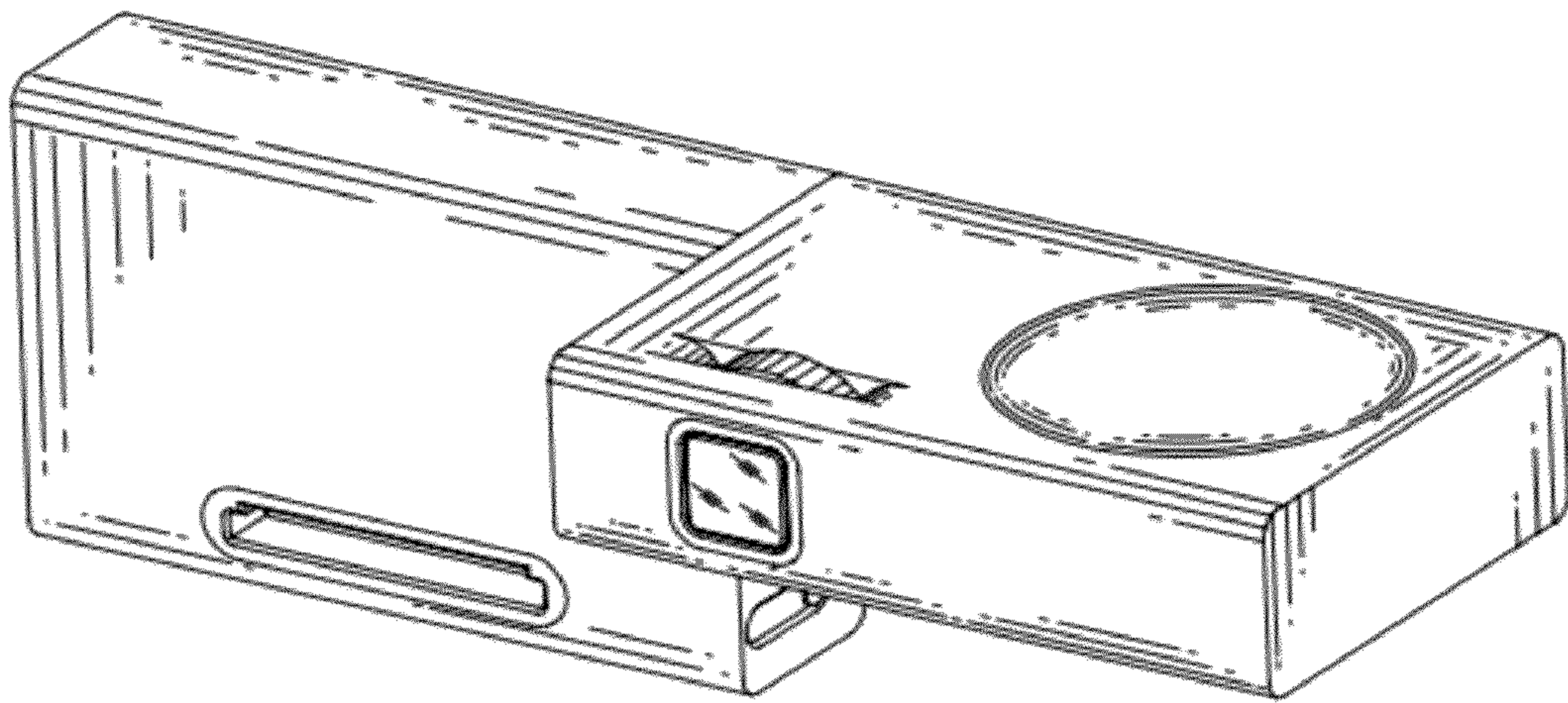


FIG. 8

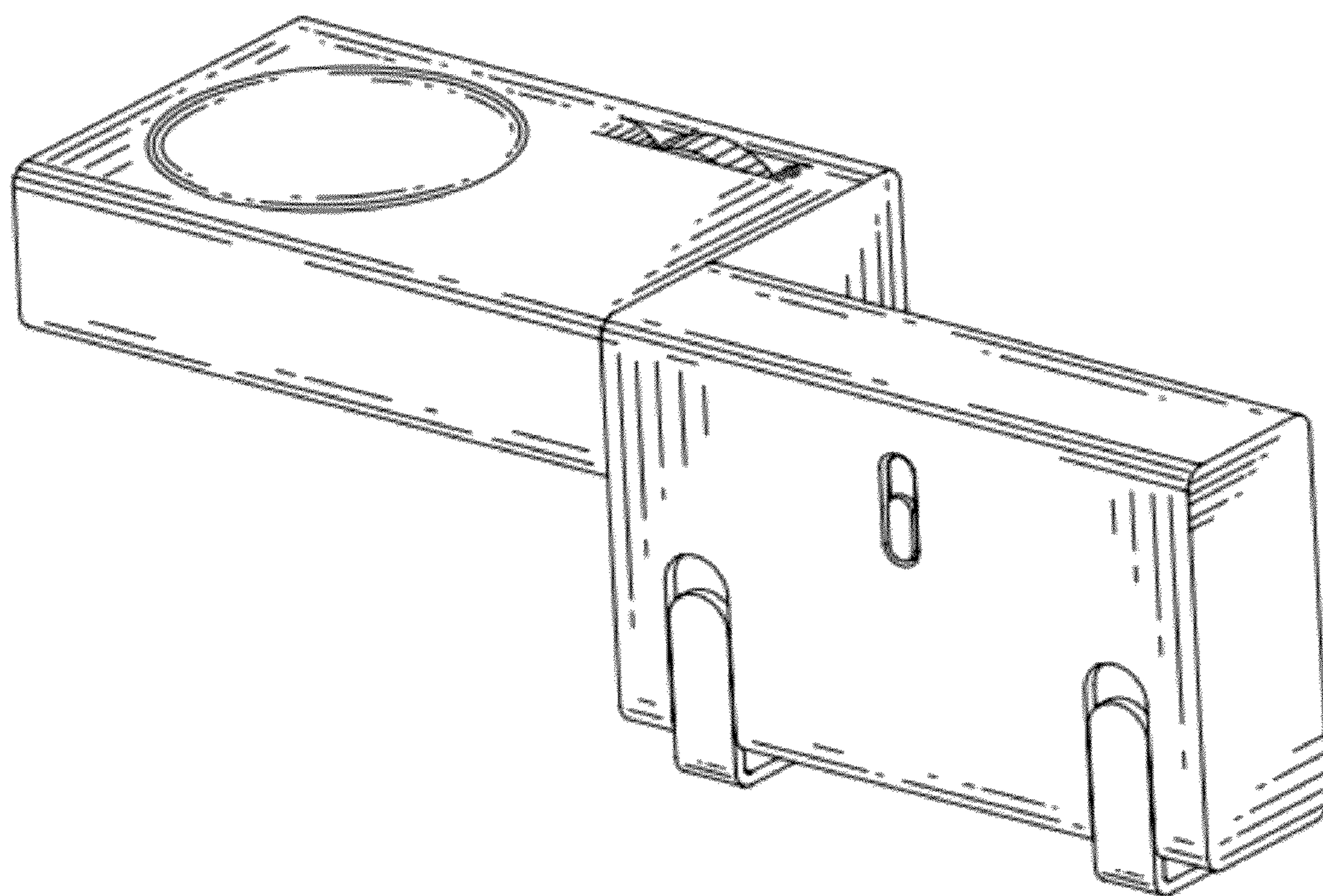


FIG. 9