

US00D665441S

(12) **United States Design Patent**
McManigal

(10) **Patent No.:** **US D665,441 S**

(45) **Date of Patent:** **** Aug. 14, 2012**

(54) **DESKTOP CAMERA**

(75) Inventor: **Scott McManigal**, Irvine, CA (US)

(73) Assignee: **Vizio Inc.**, Irvine, CA (US)

(**) Term: **14 Years**

(21) Appl. No.: **29/394,053**

(22) Filed: **Jun. 13, 2011**

(51) **LOC (9) Cl.** **16-01**

(52) **U.S. Cl.** **D16/218; D16/202**

(58) **Field of Classification Search** D16/200,
D16/202, 208, 218, 242; 348/143, 373; 396/419,
396/535, 540, 541

See application file for complete search history.

(56) **References Cited**

U.S. PATENT DOCUMENTS

D487,104 S *	2/2004	Obata	D16/218
D497,925 S *	11/2004	Zhang et al.	D16/202
D536,012 S *	1/2007	Dayan	D16/242
D566,148 S *	4/2008	Akita	D16/202
D576,649 S *	9/2008	Kim	D16/218

D629,031 S *	12/2010	Su et al.	D16/202
D641,388 S *	7/2011	Shih et al.	D16/202
D650,408 S *	12/2011	Kim et al.	D16/202
D654,526 S *	2/2012	Shivkumar et al.	D16/200
2006/0061655 A1 *	3/2006	Wang	348/143

* cited by examiner

Primary Examiner — Adir Aronovich

(74) *Attorney, Agent, or Firm* — Law Office of Scott C. Harris, Inc.

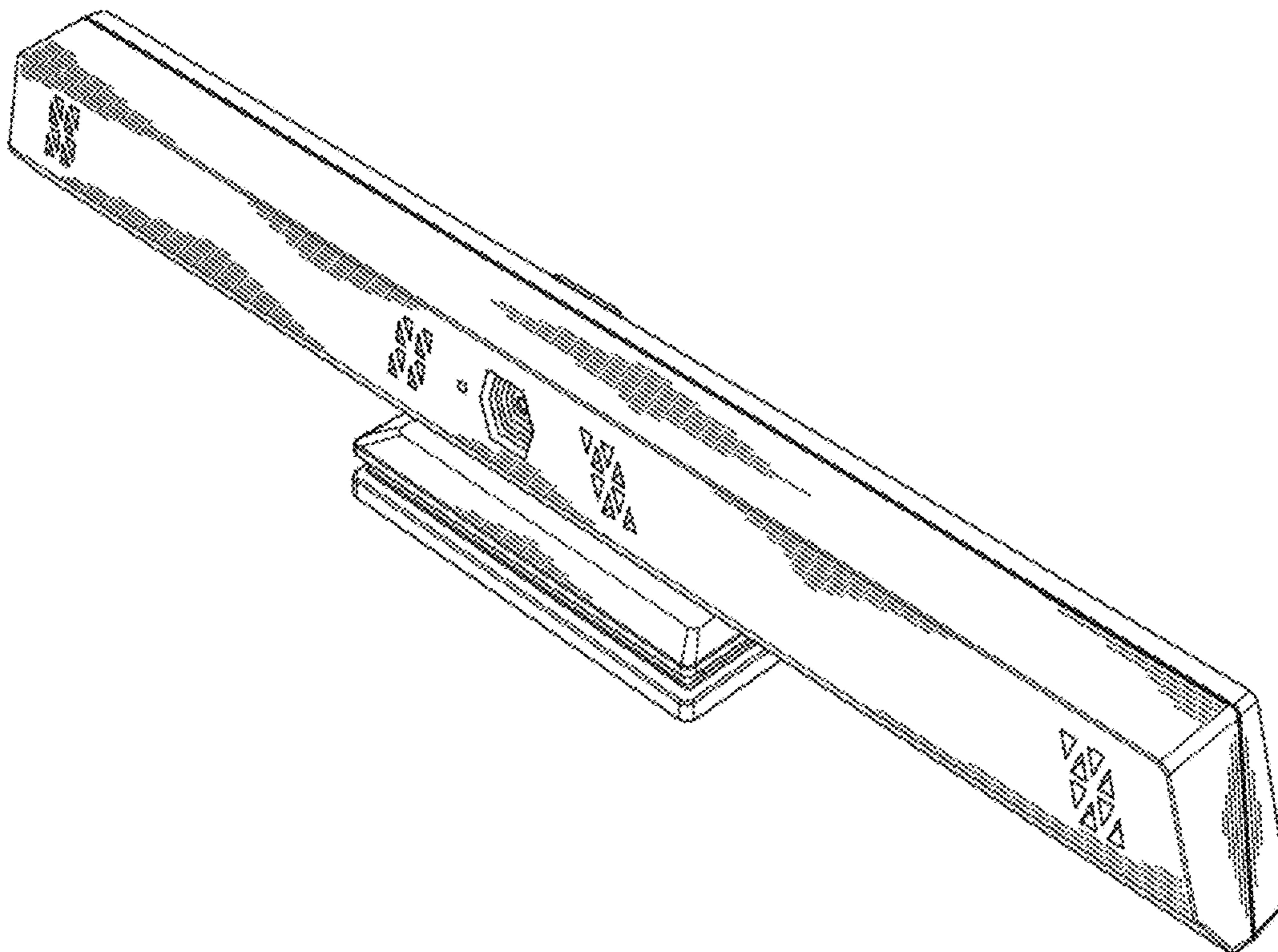
(57) **CLAIM**

The ornamental design for a desktop camera, as shown and described.

DESCRIPTION

FIG. 1 is a front perspective view of a desktop camera showing my new design;
FIG. 2 is a front elevational view thereof;
FIG. 3 is a rear elevational view thereof;
FIG. 4 is right side elevational view thereof;
FIG. 5 is left side elevational view thereof;
FIG. 6 is a top plan view thereof; and,
FIG. 7 is a bottom plan view thereof.

1 Claim, 4 Drawing Sheets



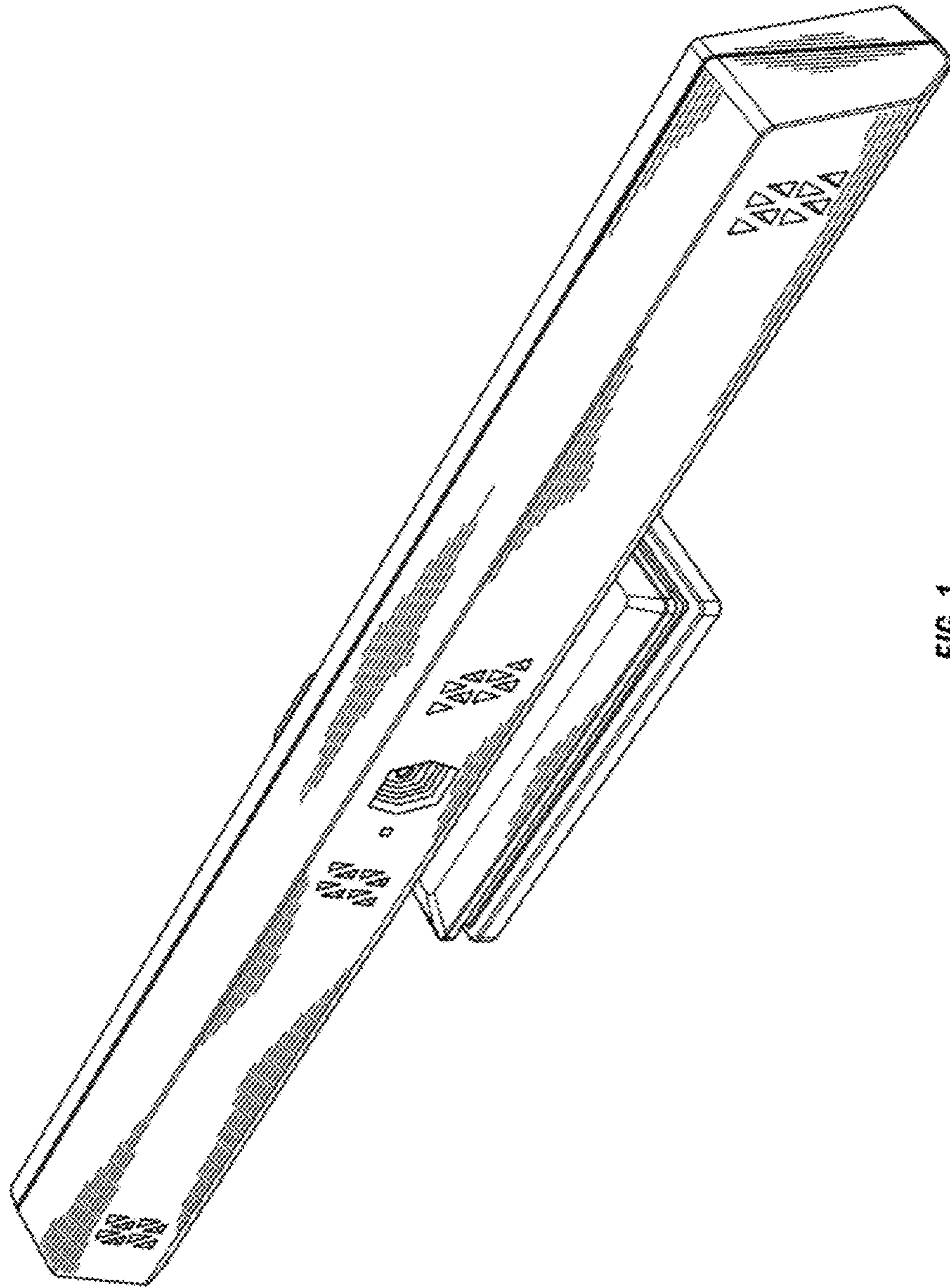


FIG. 1

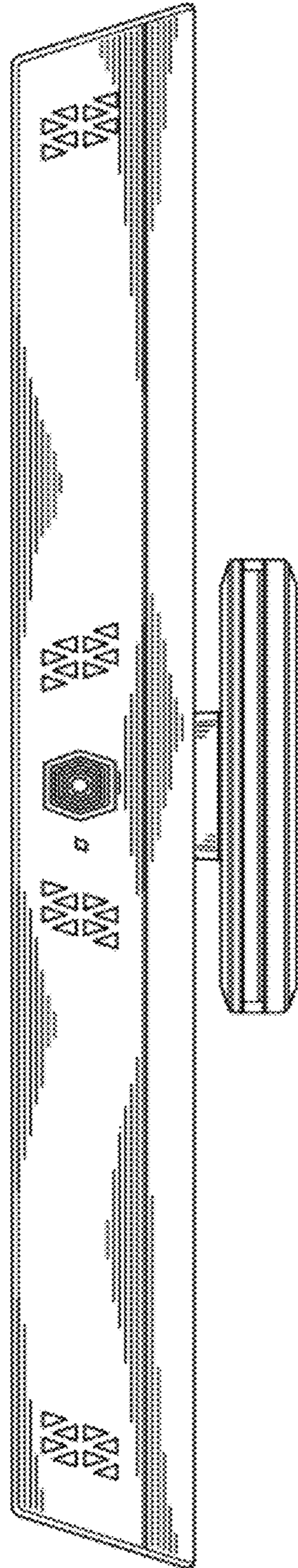


FIG. 2

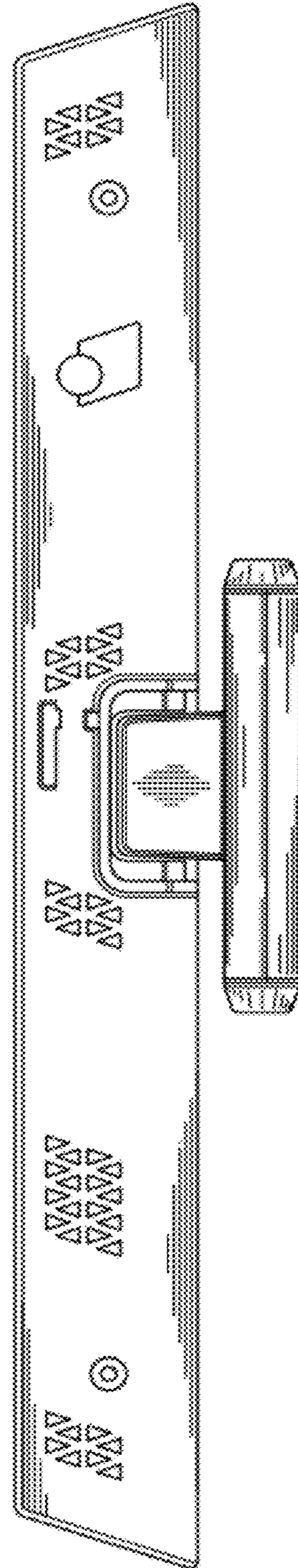


FIG. 3

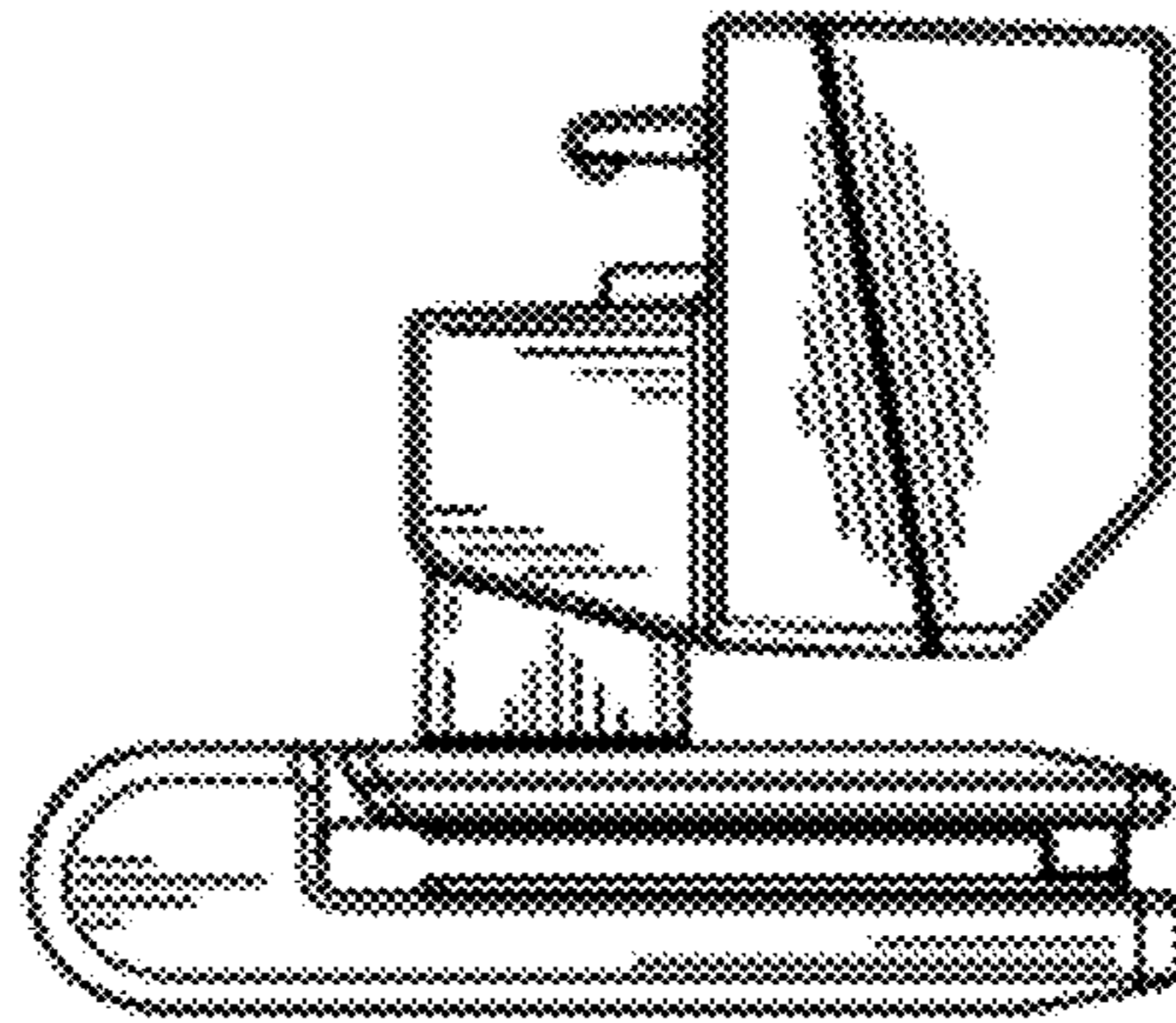


FIG. 4

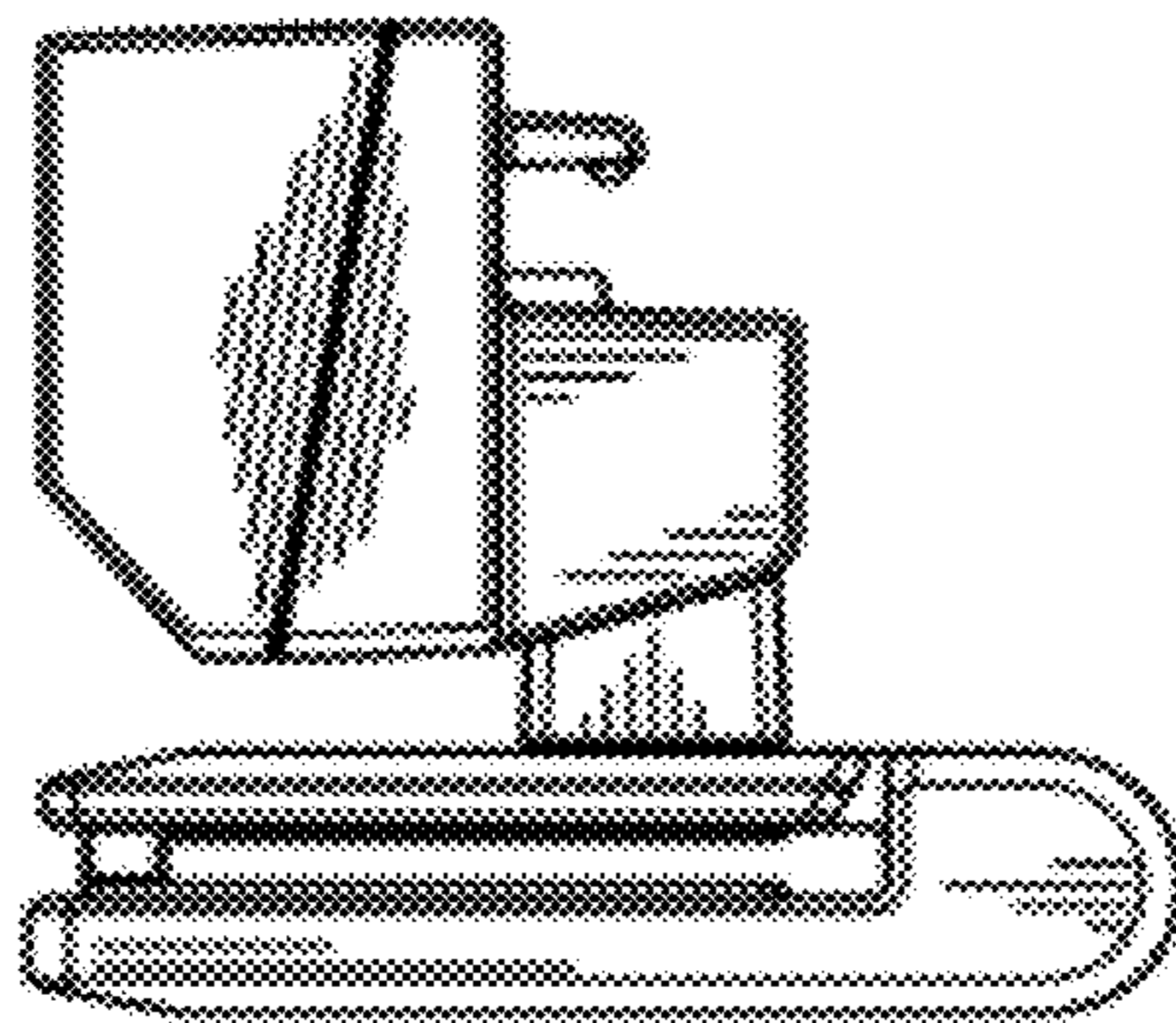


FIG. 5

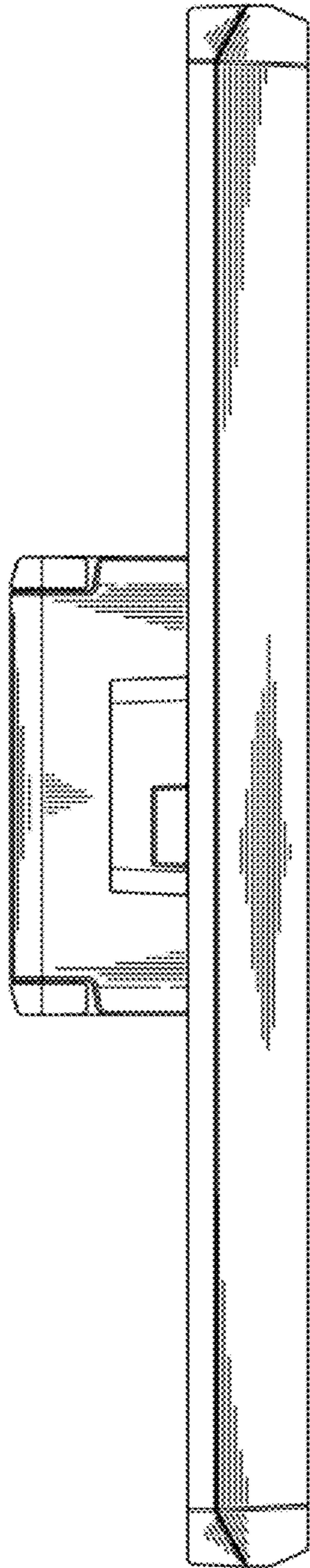


FIG. 6

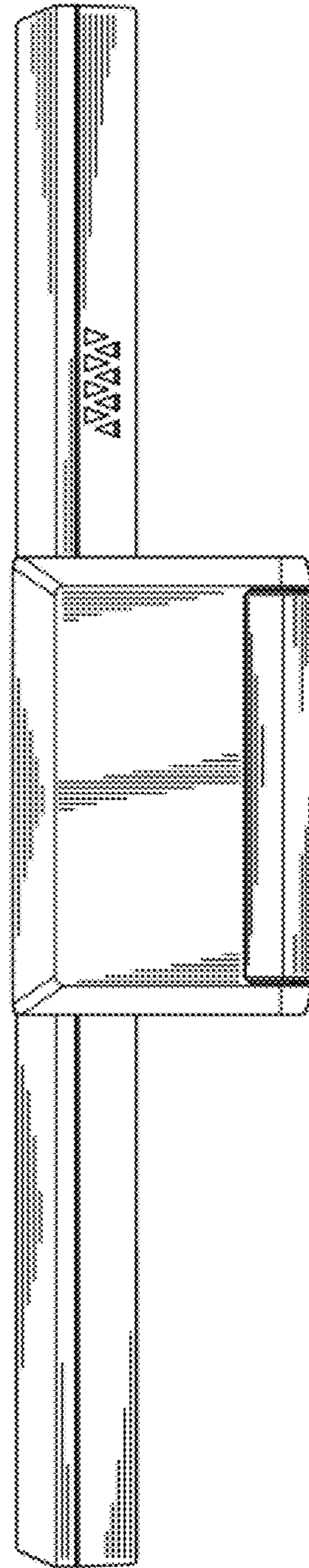


FIG. 7