

US00D665440S

(12) **United States Design Patent**
Sigward

(10) **Patent No.:** **US D665,440 S**

(45) **Date of Patent:** **** Aug. 14, 2012**

(54) **INFRARED CAMERA**

(75) Inventor: **Olle Sigward**, Solna (SE)

(73) Assignee: **Flir Systems AB**, Danderyd (SE)

(**) Term: **14 Years**

(21) Appl. No.: **29/372,285**

(22) Filed: **Nov. 3, 2010**

(51) **LOC (9) Cl.** **16-01**

(52) **U.S. Cl.** **D16/206**

(58) **Field of Classification Search** D16/200,
D16/204, 206, 218; 250/330, 332; 348/373-374;
359/826-828; 396/529-532, 535
See application file for complete search history.

(56) **References Cited**

U.S. PATENT DOCUMENTS

D466,540 S *	12/2002	Lannestedt et al.	D16/218
6,507,024 B2 *	1/2003	Stewart	250/330
D472,911 S *	4/2003	Bielefeld	D16/130
D493,733 S *	8/2004	Chen	D10/57
D540,838 S *	4/2007	Aronsson et al.	D16/206

7,236,243 B2 *	6/2007	Beecroft et al.	356/328
7,250,603 B1 *	7/2007	Nugent	250/330
D571,846 S *	6/2008	Yoshii et al.	D16/202
D585,927 S *	2/2009	Sheard et al.	D16/206
D599,392 S *	9/2009	Hamrelius	D16/206

* cited by examiner

Primary Examiner — Adir Aronovich

(74) *Attorney, Agent, or Firm* — Hiscock & Barclay, LLP

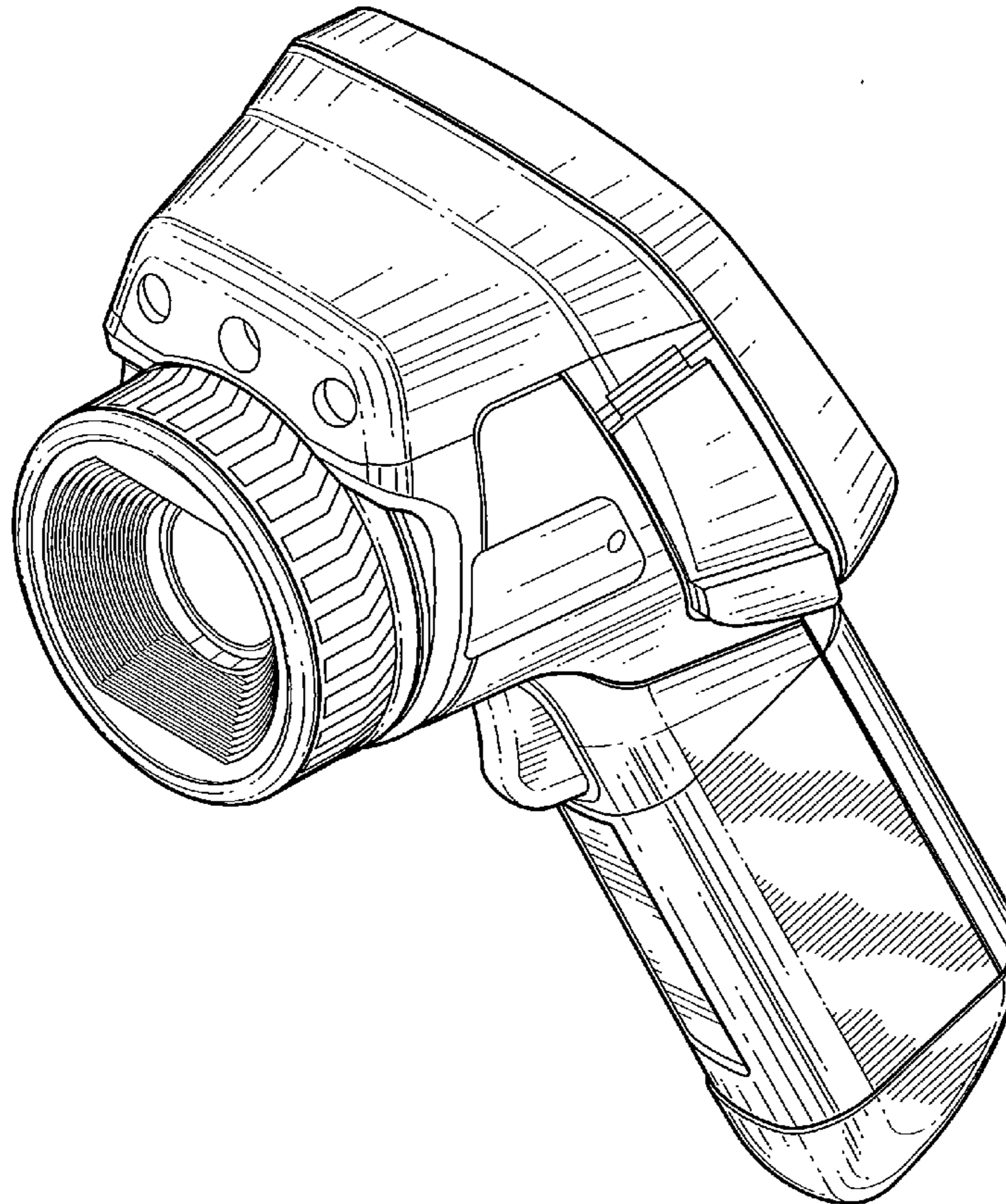
(57) **CLAIM**

The ornamental design for an infrared camera, as shown and described.

DESCRIPTION

FIG. 1 is a top, front and left side perspective view of an infrared camera showing my new design;
FIG. 2 is a front elevational view thereof;
FIG. 3 is a right side elevational view thereof;
FIG. 4 is a top plan view thereof;
FIG. 5 is a left side elevational view thereof;
FIG. 6 is a bottom plan view thereof; and,
FIG. 7 is a rear elevational view thereof.

1 Claim, 7 Drawing Sheets



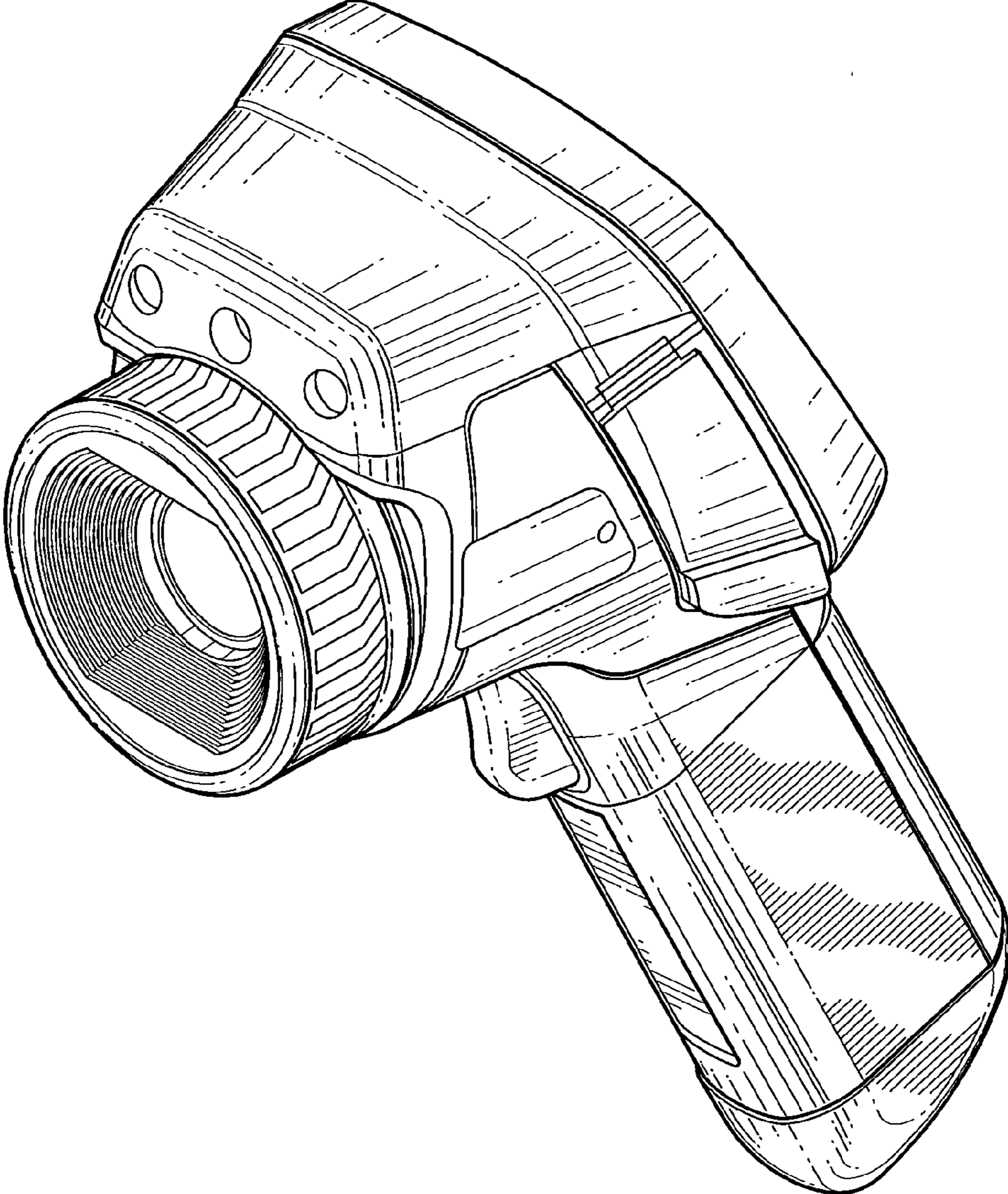


FIG. 1

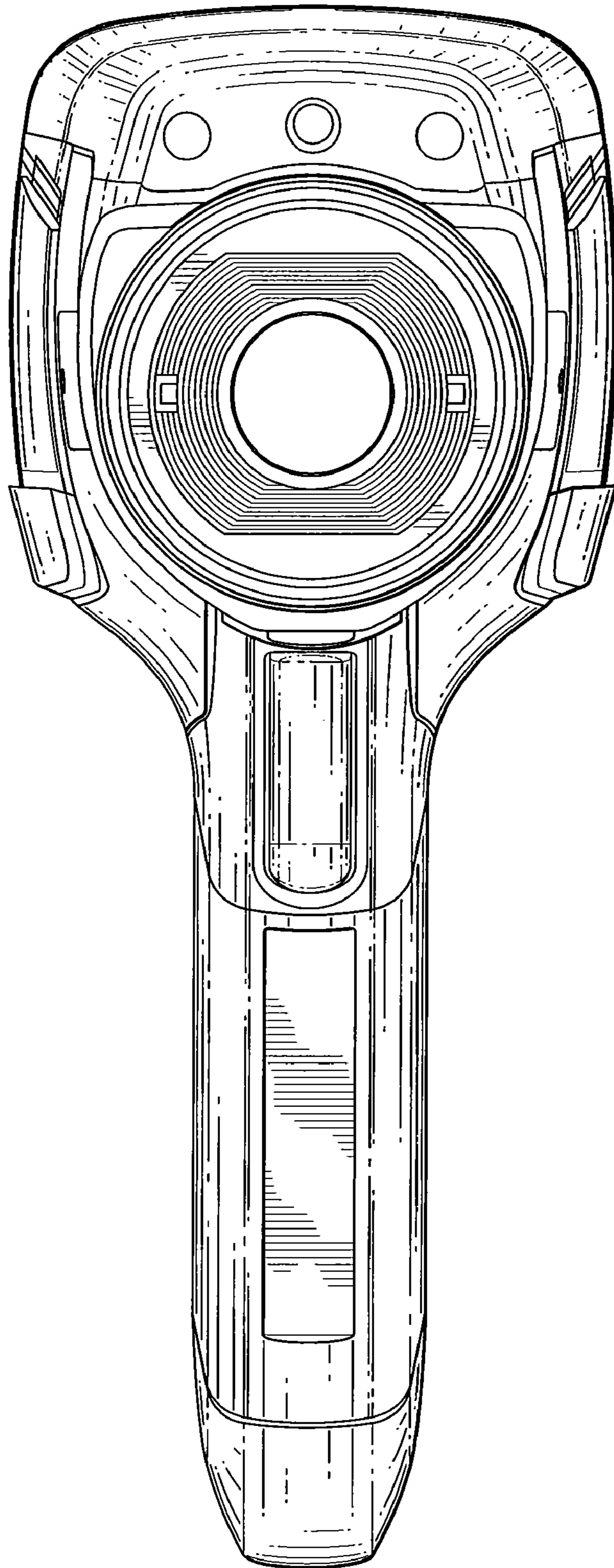


FIG. 2

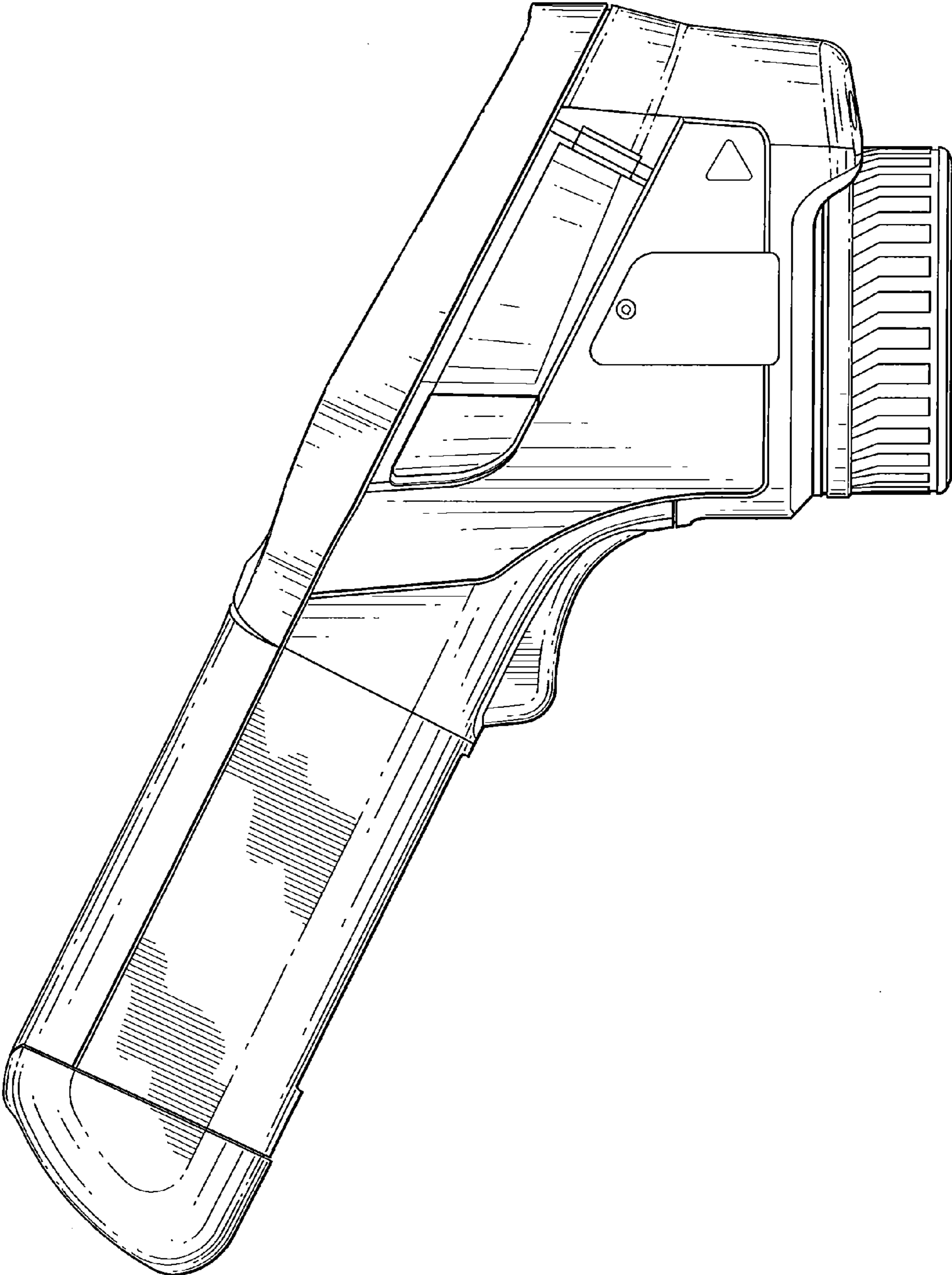


FIG. 3

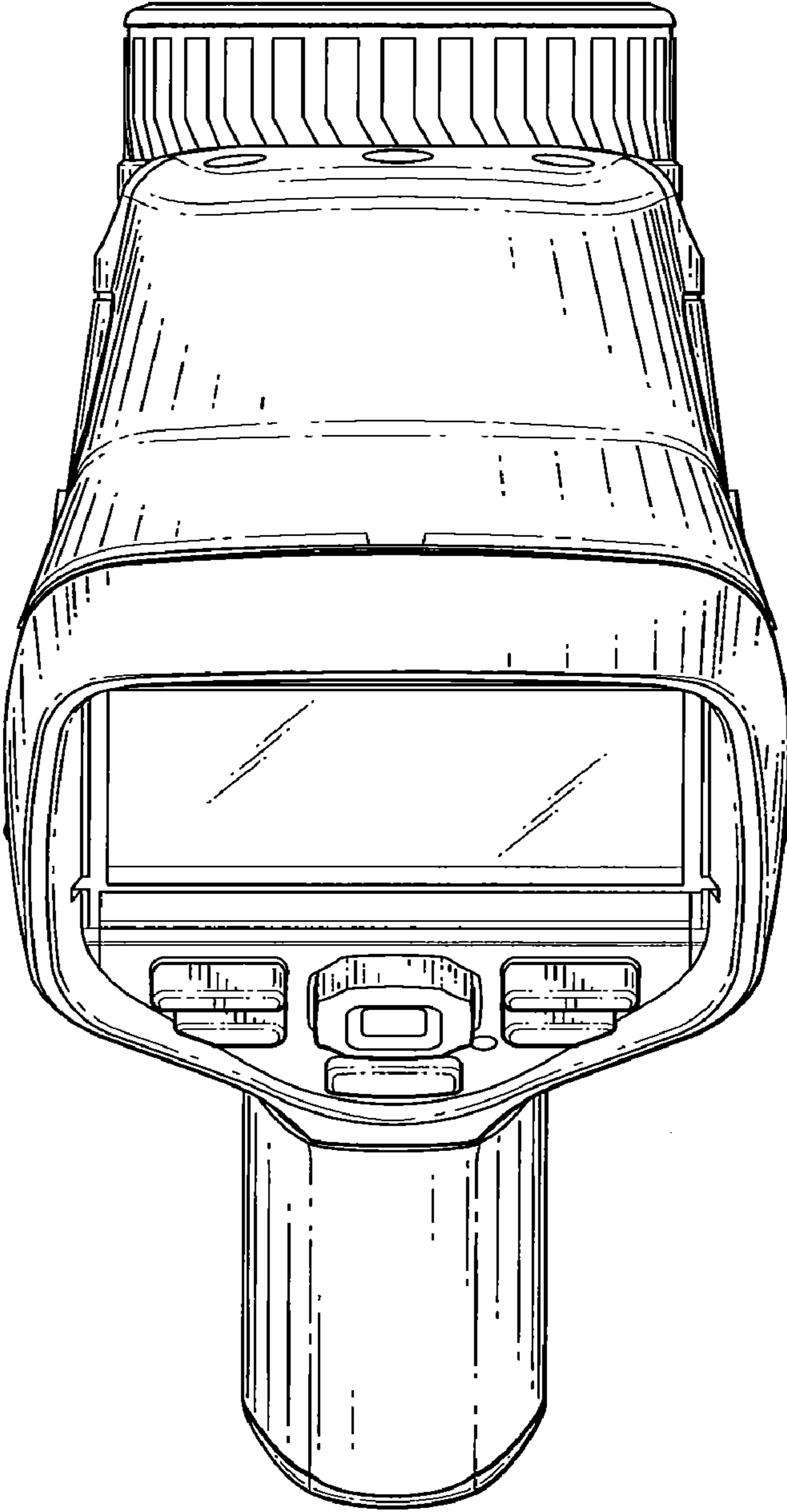


FIG.4

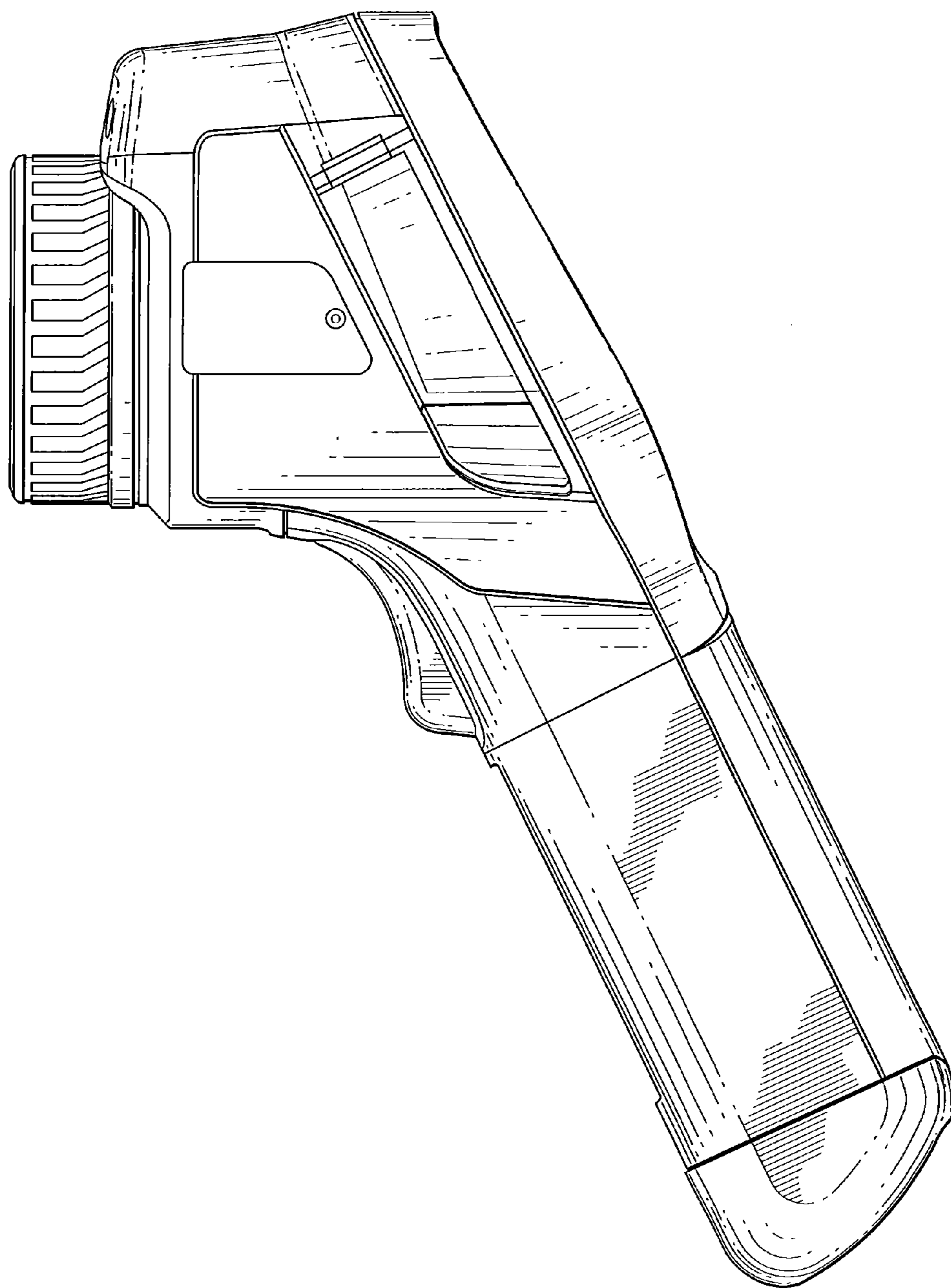


FIG.5

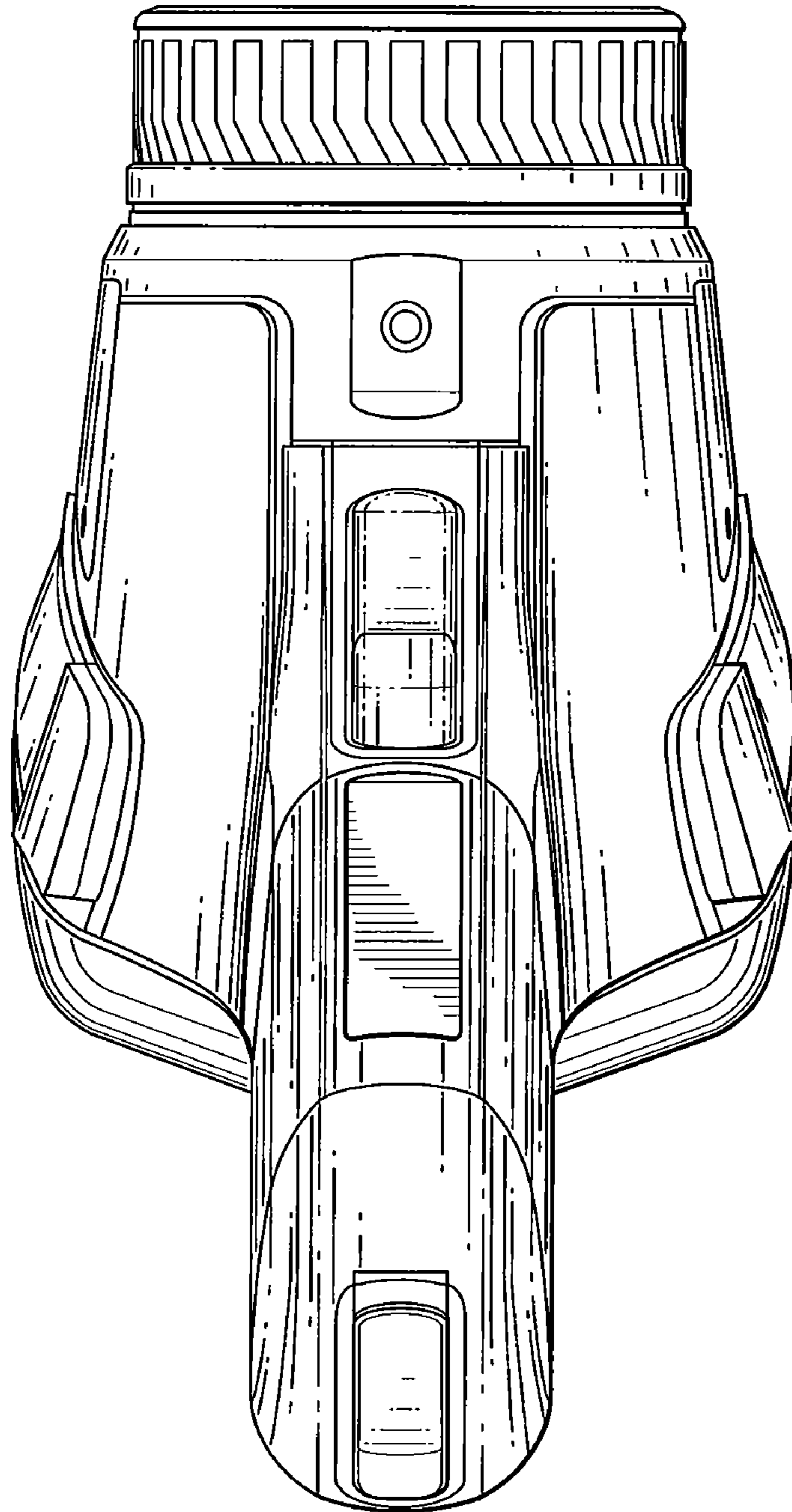


FIG. 6

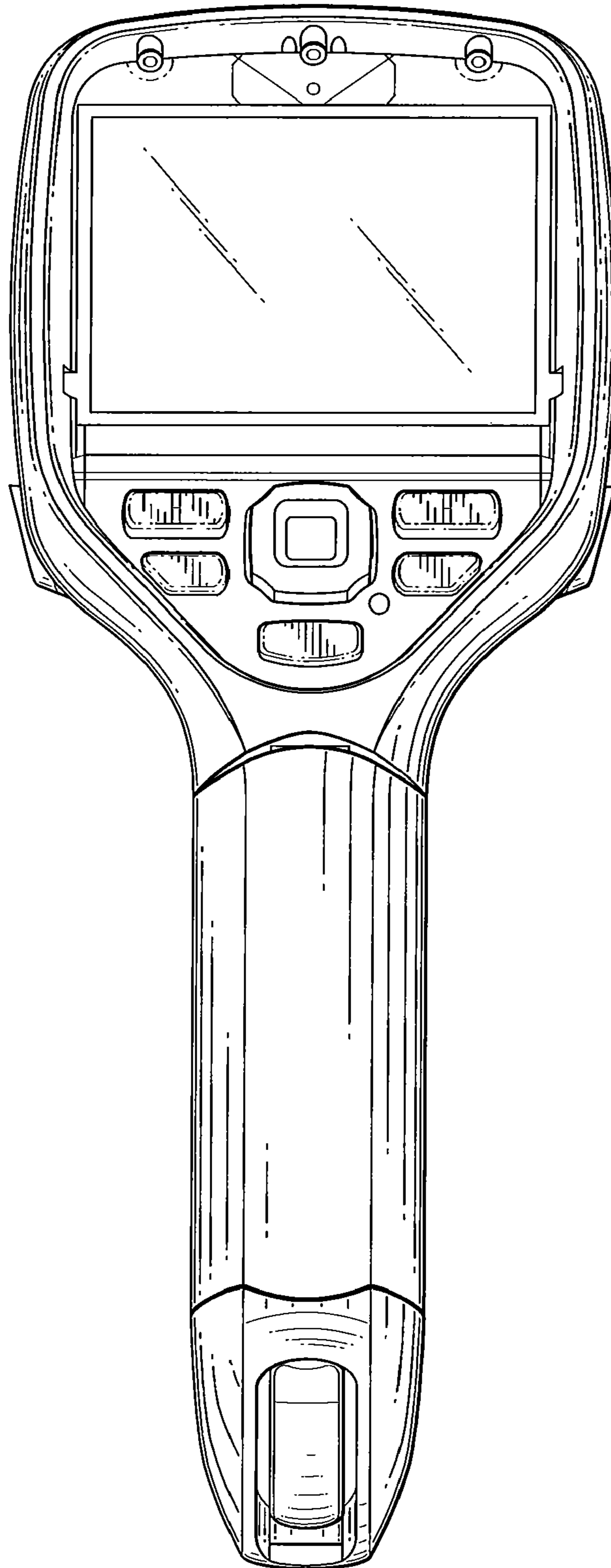


FIG. 7