

US00D665439S

(12) **United States Design Patent**
Khamsepoor et al.

(10) **Patent No.:** **US D665,439 S**
(45) **Date of Patent:** **** Aug. 14, 2012**

(54) **WEBCAM WITH FOLDABLE CASE AND LENS COVER**

(75) Inventors: **Ladan Khamsepoor**, Santa Clara, CA (US); **Kenneth Ling**, San Francisco, CA (US); **Allan Freas Velzy**, Burlingame, CA (US); **John Kiechel**, Oakland, CA (US)

(73) Assignee: **Logitech Europe S.A.**, Morges (CH)

(**) Term: **14 Years**

(21) Appl. No.: **29/349,423**

(22) Filed: **Mar. 31, 2010**

(51) **LOC (9) Cl.** **16-01**

(52) **U.S. Cl.** **D16/202; D16/242**

(58) **Field of Classification Search** D16/200–204,
D16/208, 218, 242; 348/373, 375; 396/419,
396/428, 535

See application file for complete search history.

(56) **References Cited**

U.S. PATENT DOCUMENTS

6,396,924	B1	5/2002	Suso et al.	
7,093,811	B2*	8/2006	Wu	248/231.41
D533,887	S*	12/2006	Logan et al.	D16/208
D554,682	S	11/2007	Martinez et al.	
D563,446	S	3/2008	Stephens et al.	
D564,559	S	3/2008	Stephens et al.	
D566,148	S*	4/2008	Akita	D16/202
D579,967	S*	11/2008	Jones et al.	D16/202
D595,328	S	6/2009	Kim et al.	
D600,730	S*	9/2009	Su	D16/202
D614,223	S	4/2010	Kim et al.	
7,736,071	B2*	6/2010	Wahl et al.	396/419
D624,108	S	9/2010	Wang et al.	

D624,109	S	9/2010	Wang et al.	
D627,813	S*	11/2010	Chen et al.	D16/202
D629,031	S*	12/2010	Su et al.	D16/202
D631,079	S*	1/2011	Tzeng	D16/202
2011/0243547	A1	10/2011	Khamsepoor	
2011/0243548	A1	10/2011	Khamsepoor	

OTHER PUBLICATIONS

“LifeCam XV-5500 Fact Sheet” Microsoft Corporation, Sep. 2008.

* cited by examiner

Primary Examiner — Adir Aronovich

(74) Attorney, Agent, or Firm — Kilpatrick Townsend & Stockton LLP

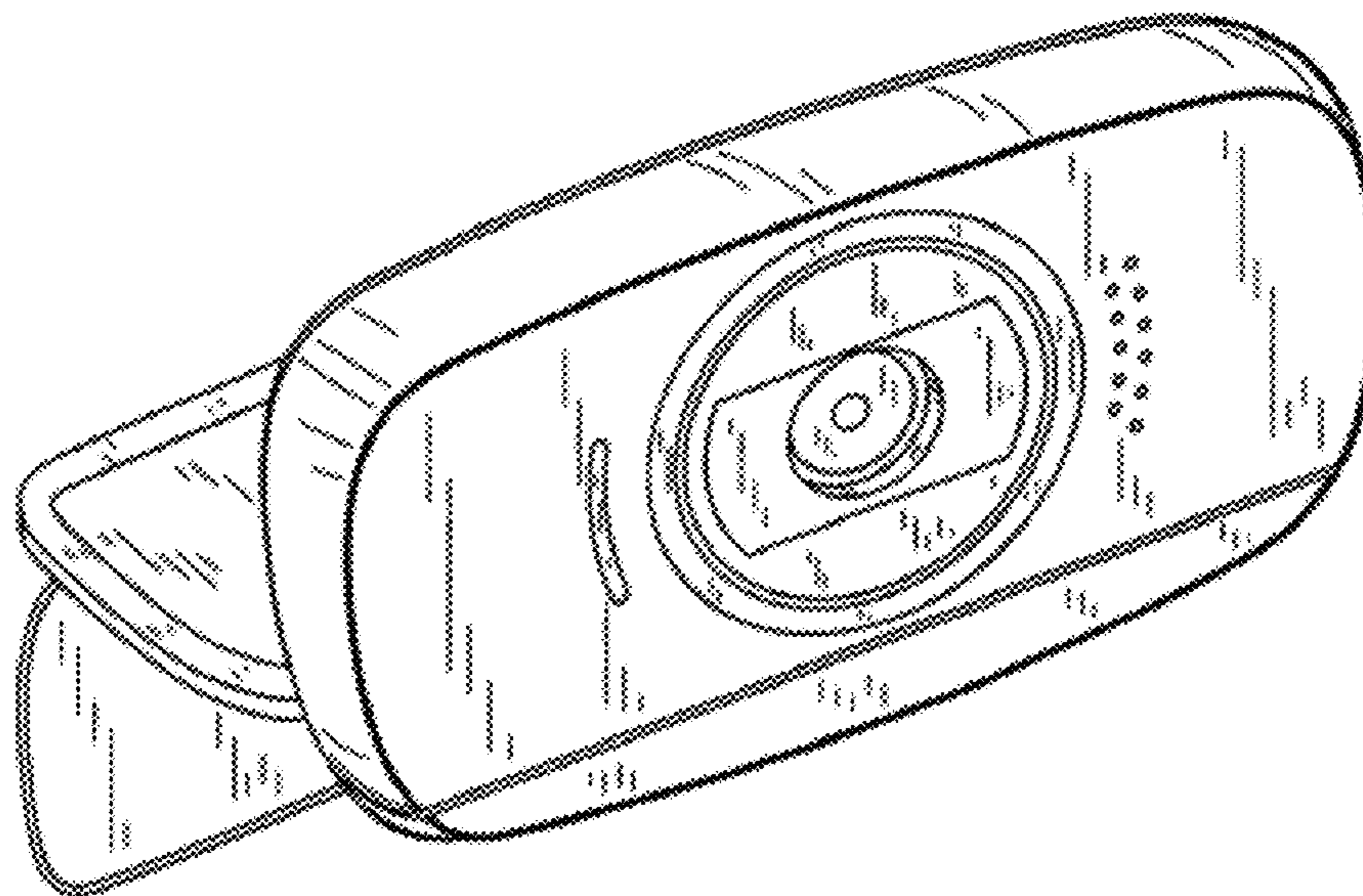
(57) **CLAIM**

The ornamental design for a webcam with a foldable case, as shown and described.

DESCRIPTION

FIG. 1 is front perspective view of a webcam with foldable case showing our new design;
 FIG. 2 is a bottom plan view thereof;
 FIG. 3 is a top plan view thereof;
 FIG. 4 is a front elevation view thereof;
 FIG. 5 is a rear elevation view thereof;
 FIG. 6 is a right side elevation view;
 FIG. 7 is a left side elevation view;
 FIG. 8 is an alternate front perspective view, webcam being oriented to the right;
 FIG. 9 is another alternate front perspective view, webcam being oriented to the left;
 FIG. 10 is a bottom plan view thereof;
 FIG. 11 is a top plan view thereof;
 FIG. 12 is a front elevation view thereof;
 FIG. 13 is rear elevation view thereof;
 FIG. 14 is a rear and right side elevation view thereof; and,
 FIG. 15 is a front and left side elevation view thereof.

1 Claim, 8 Drawing Sheets



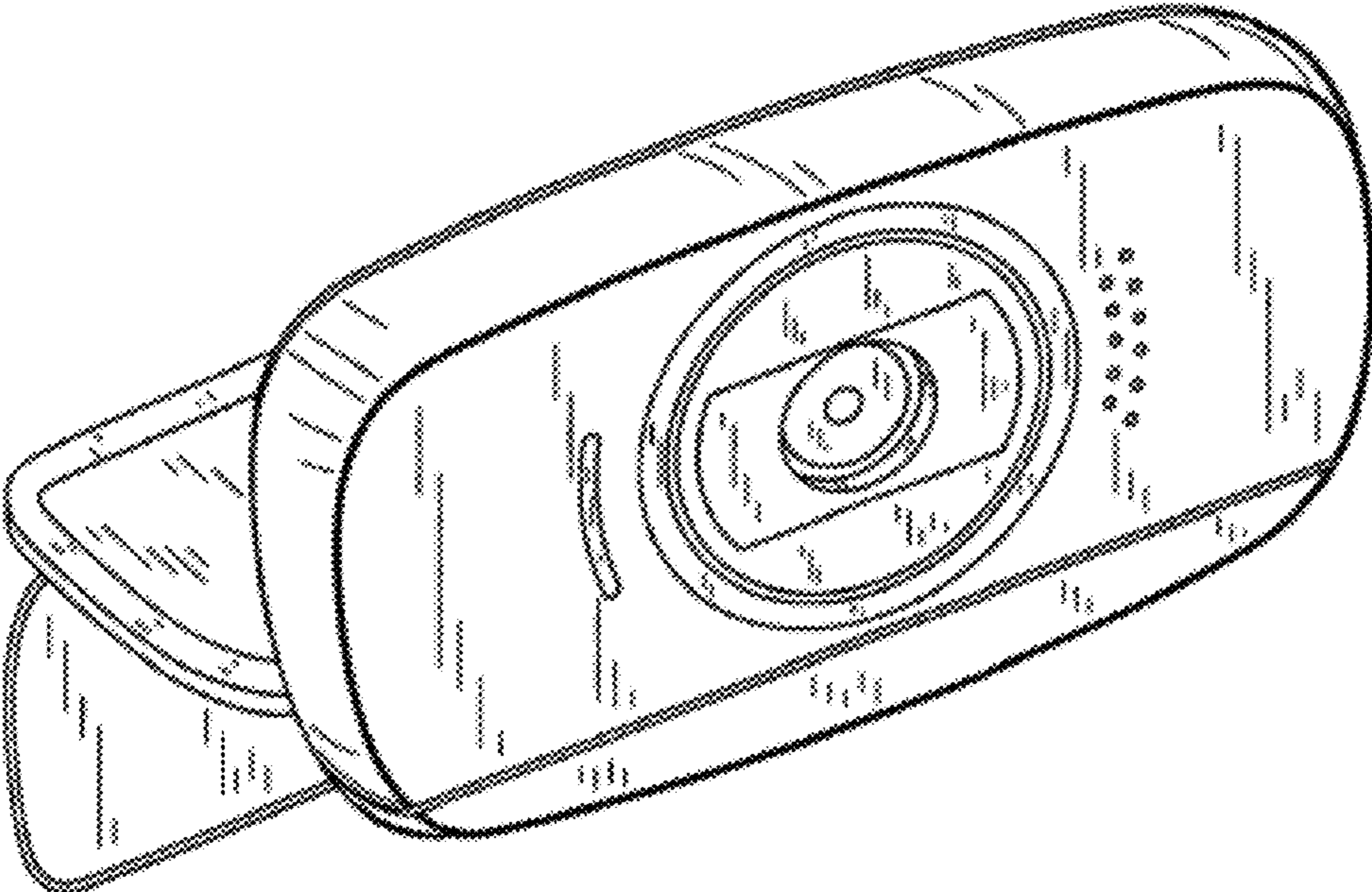


FIG. 1

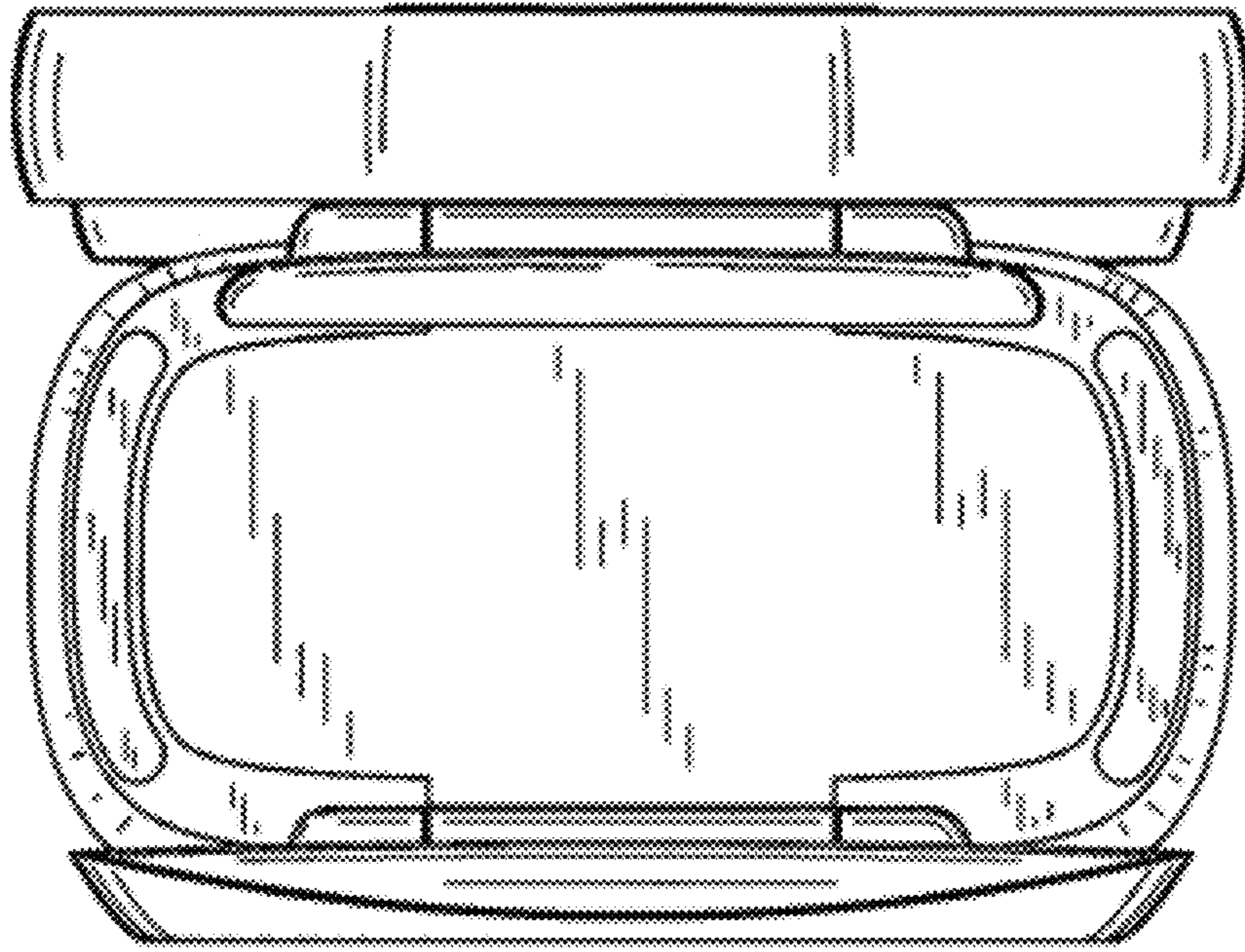


FIG. 2

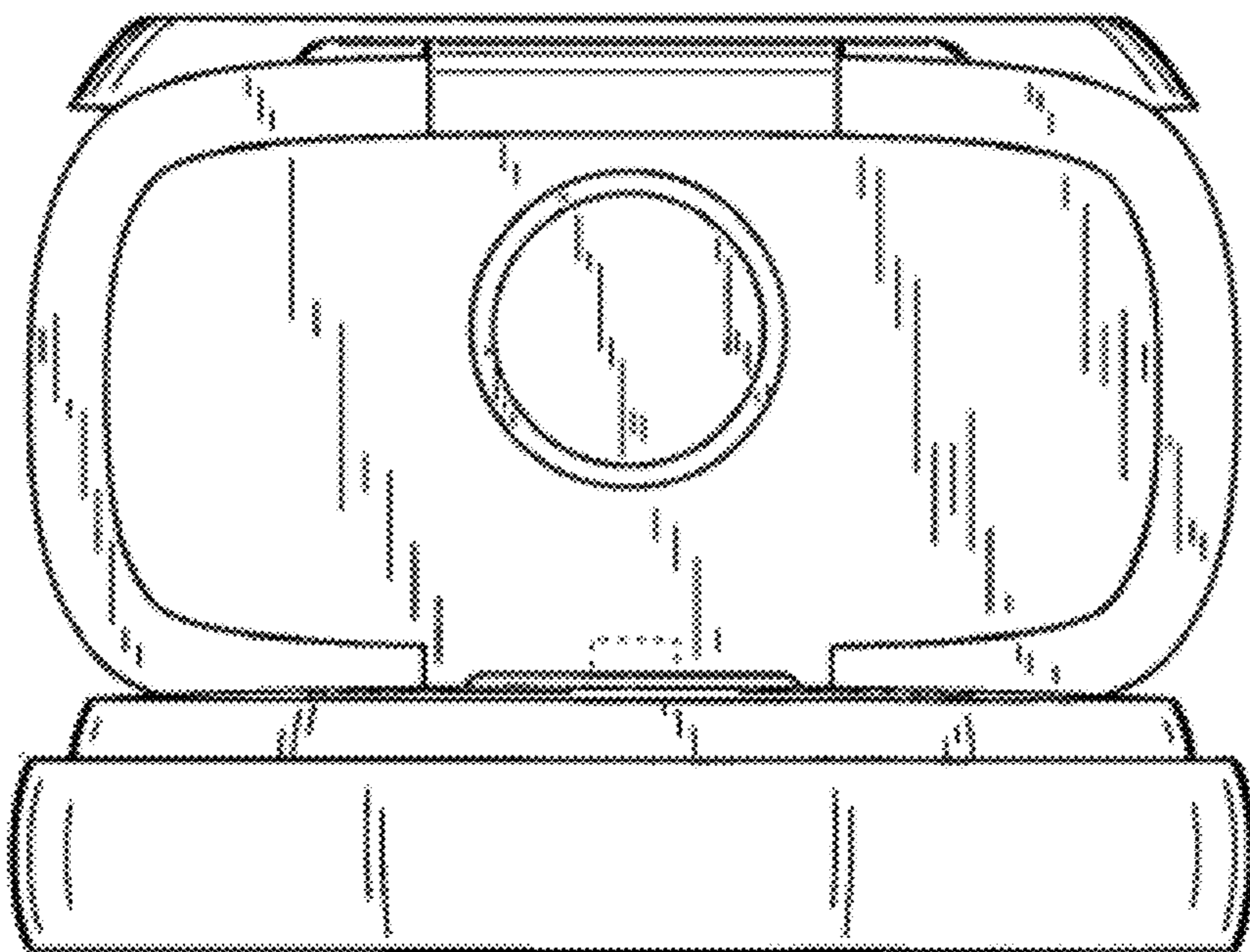


FIG. 3

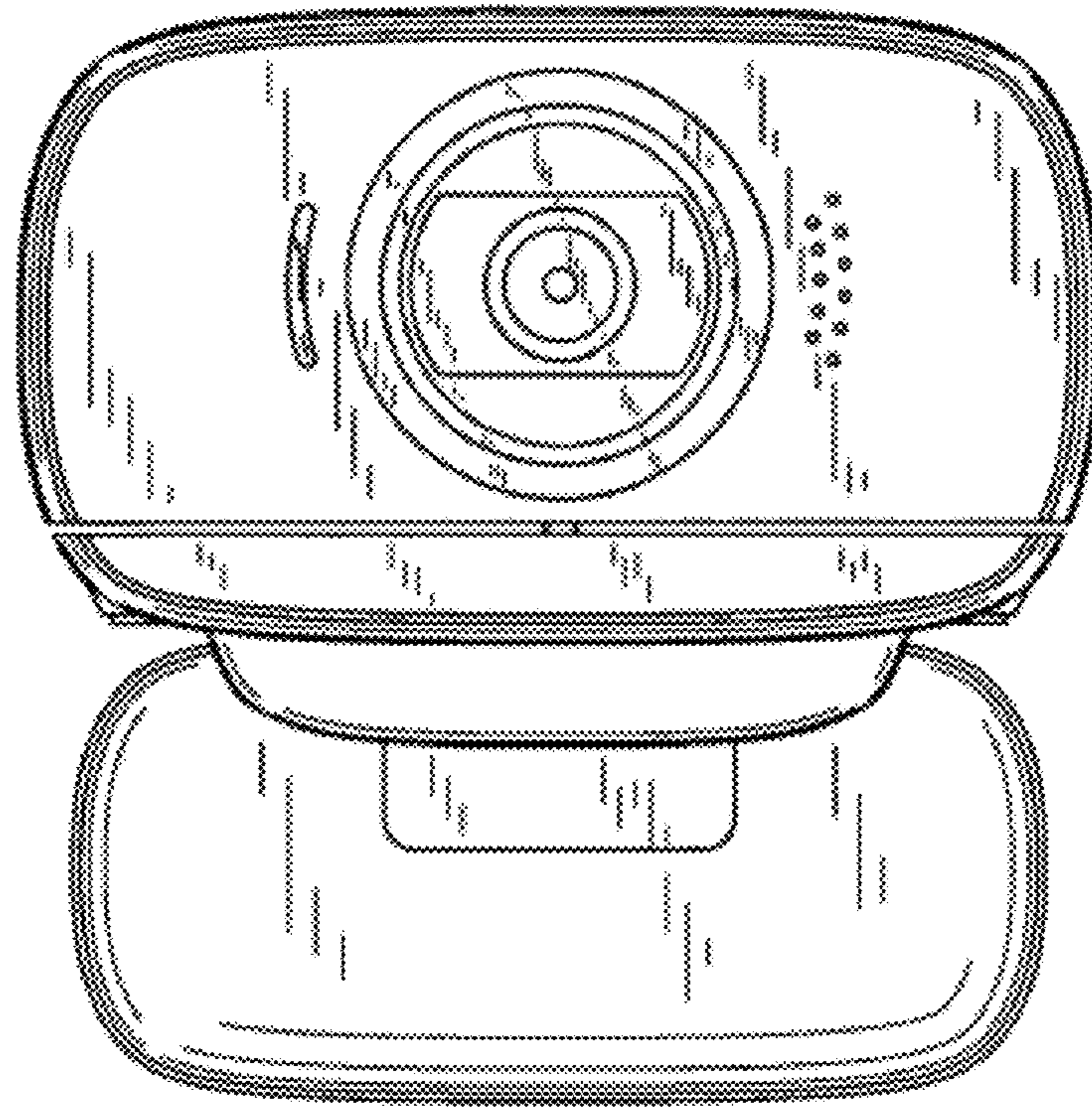


FIG. 4

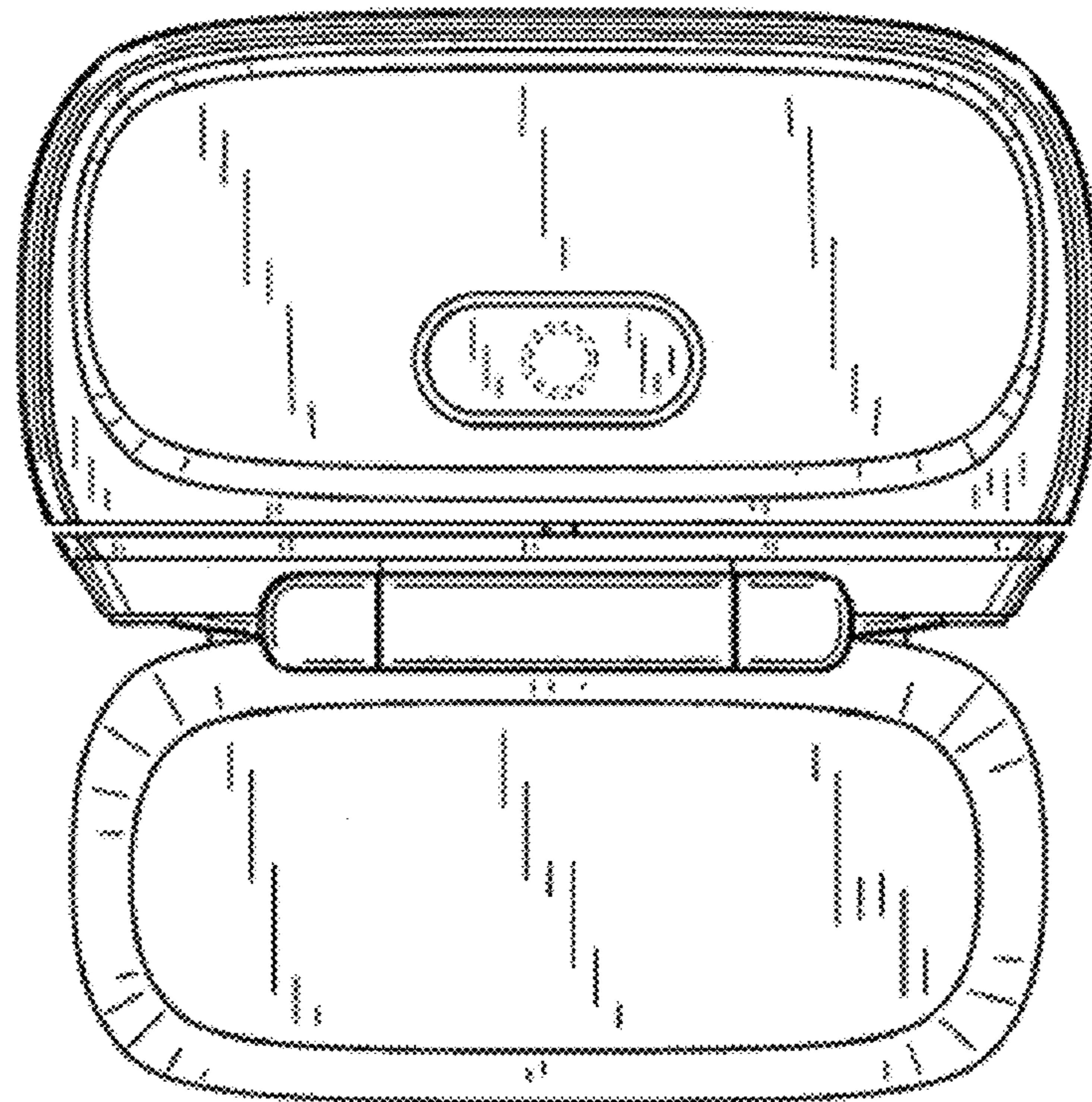


FIG. 5

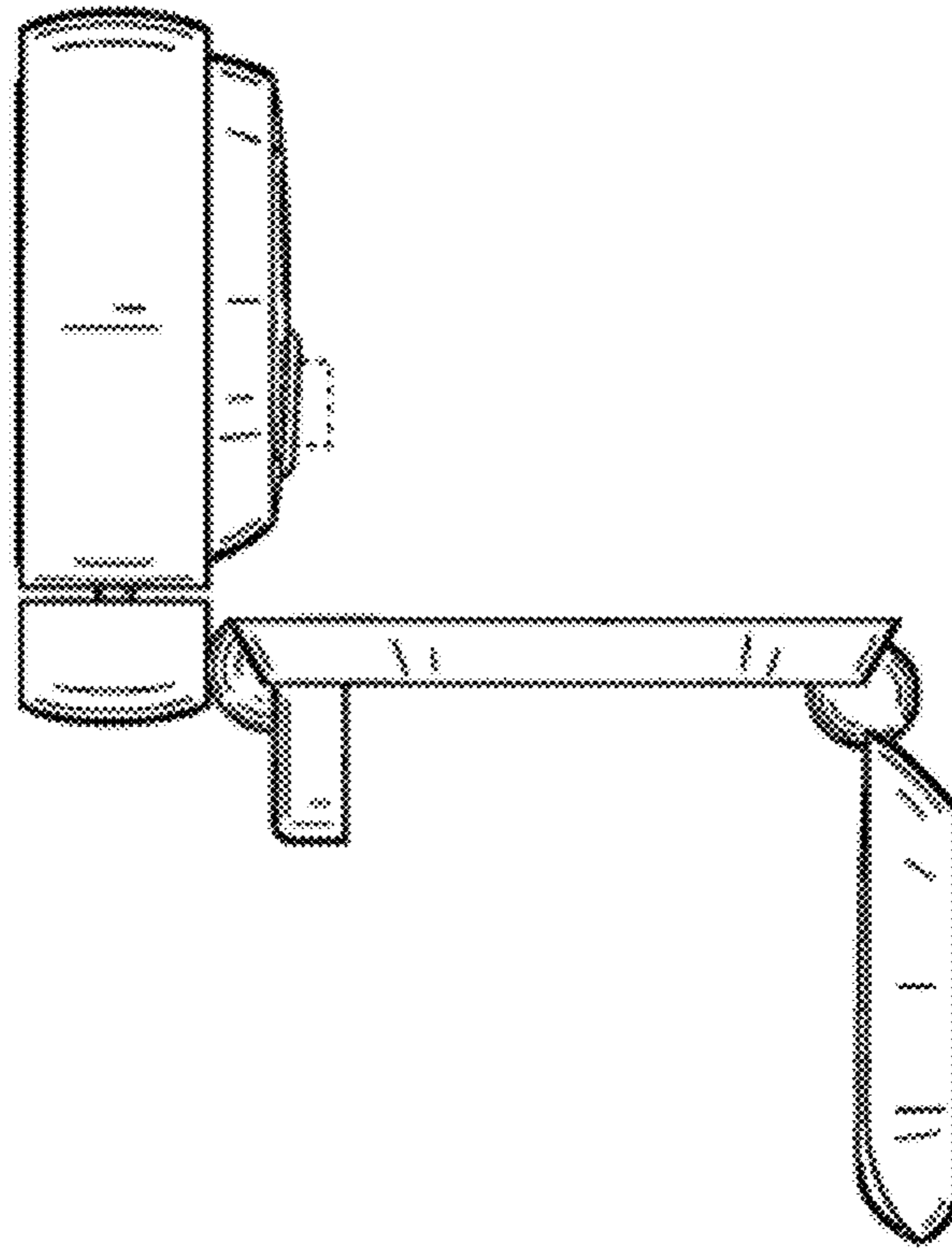


FIG. 6

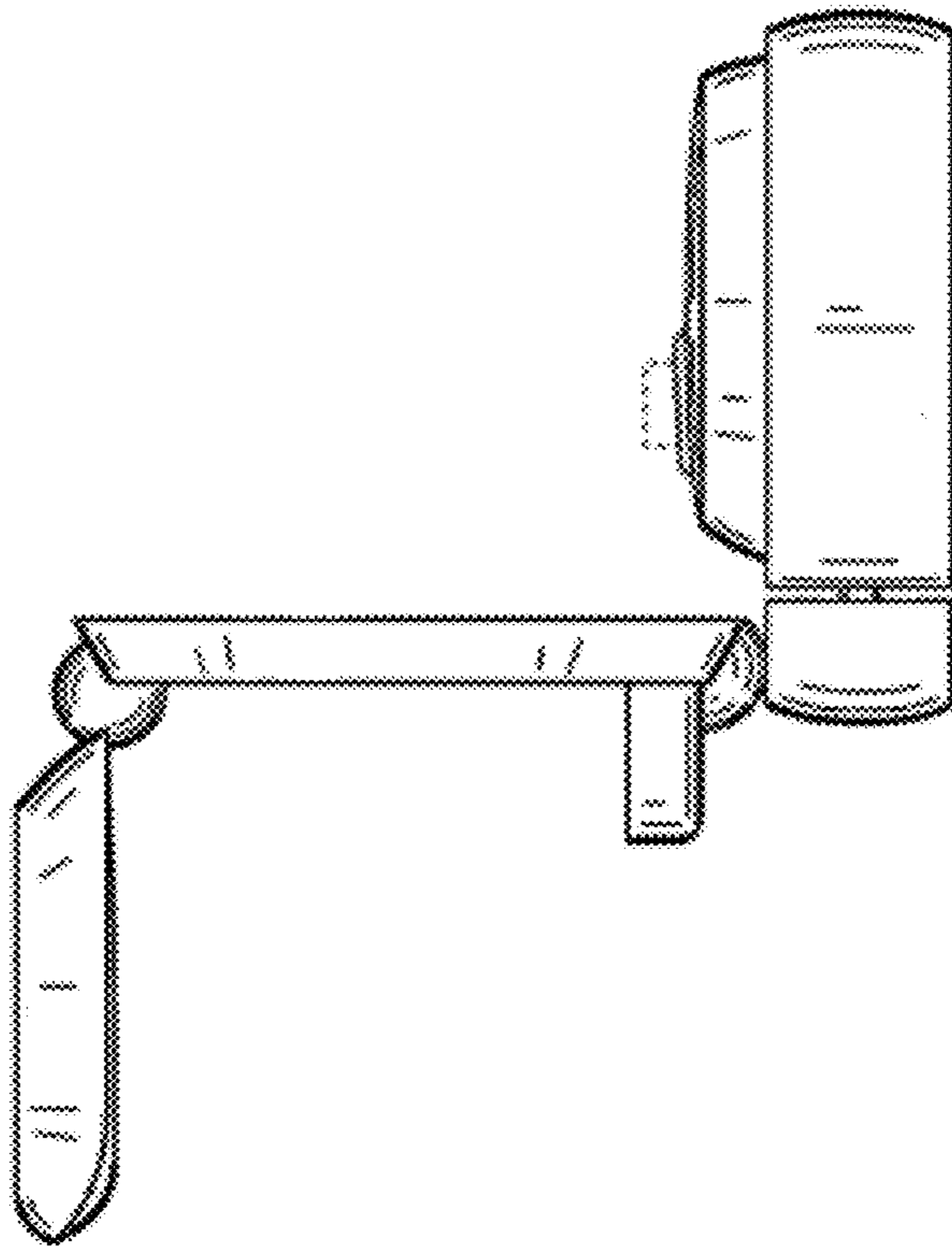


FIG. 7

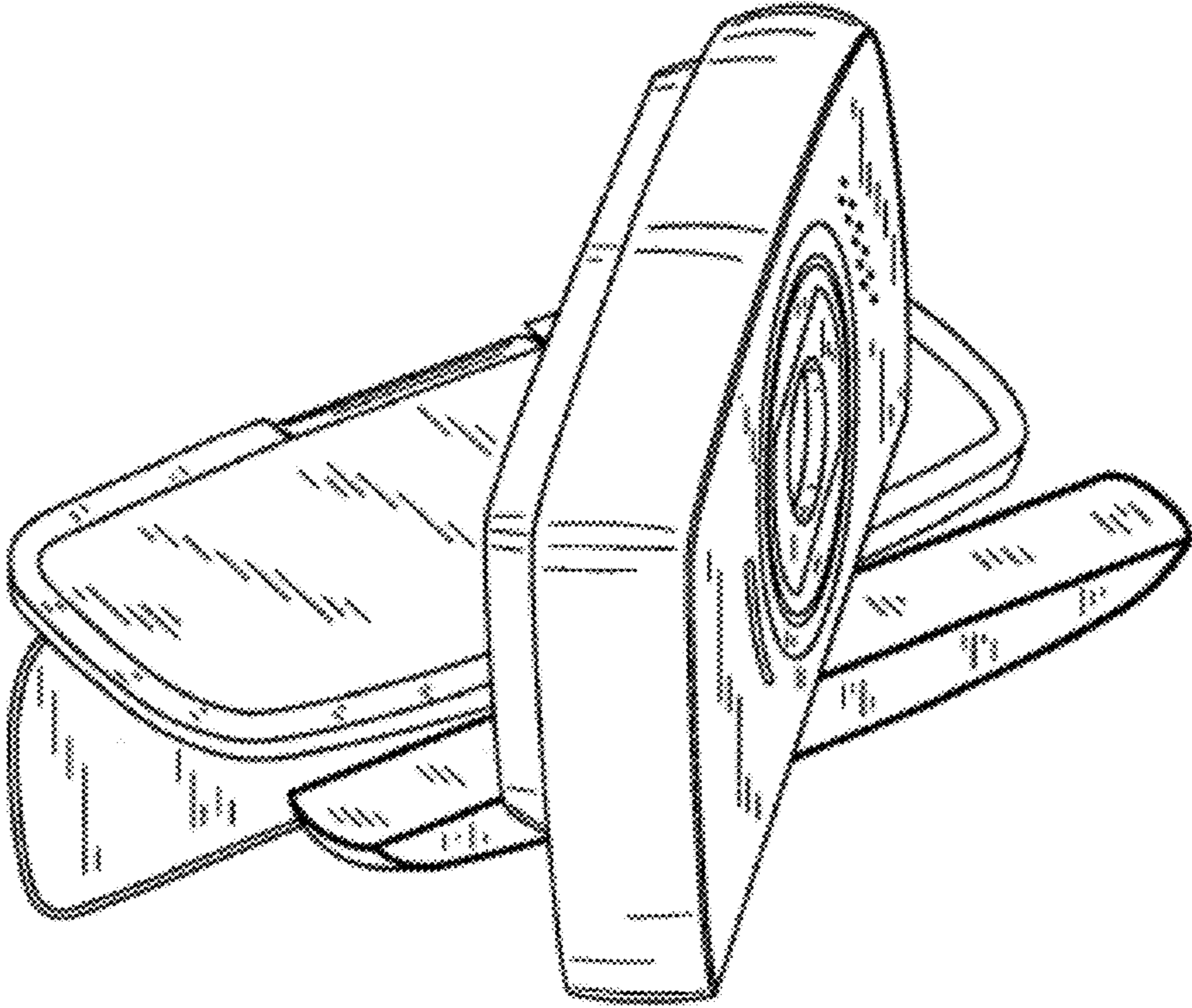


FIG. 8

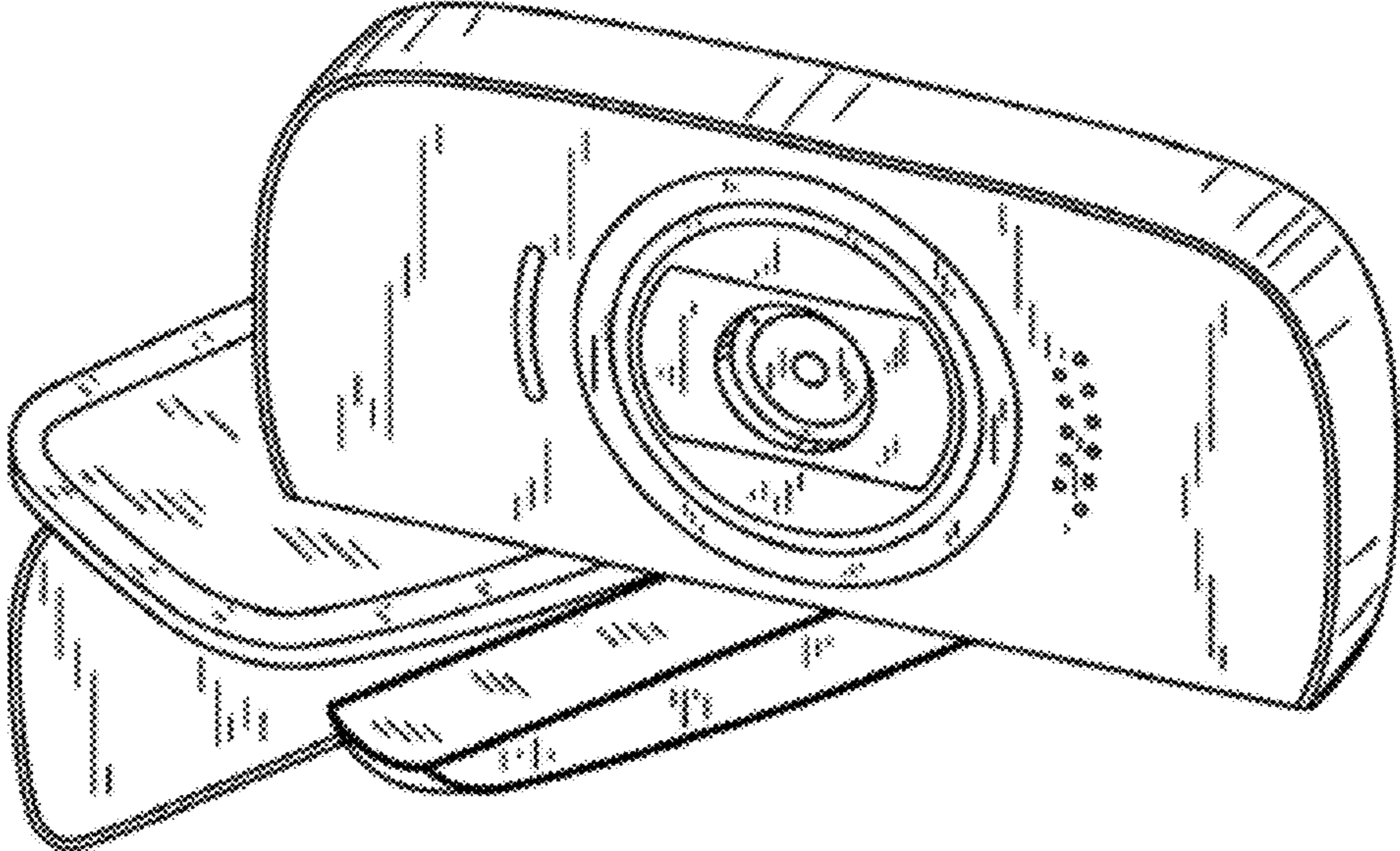


FIG. 9

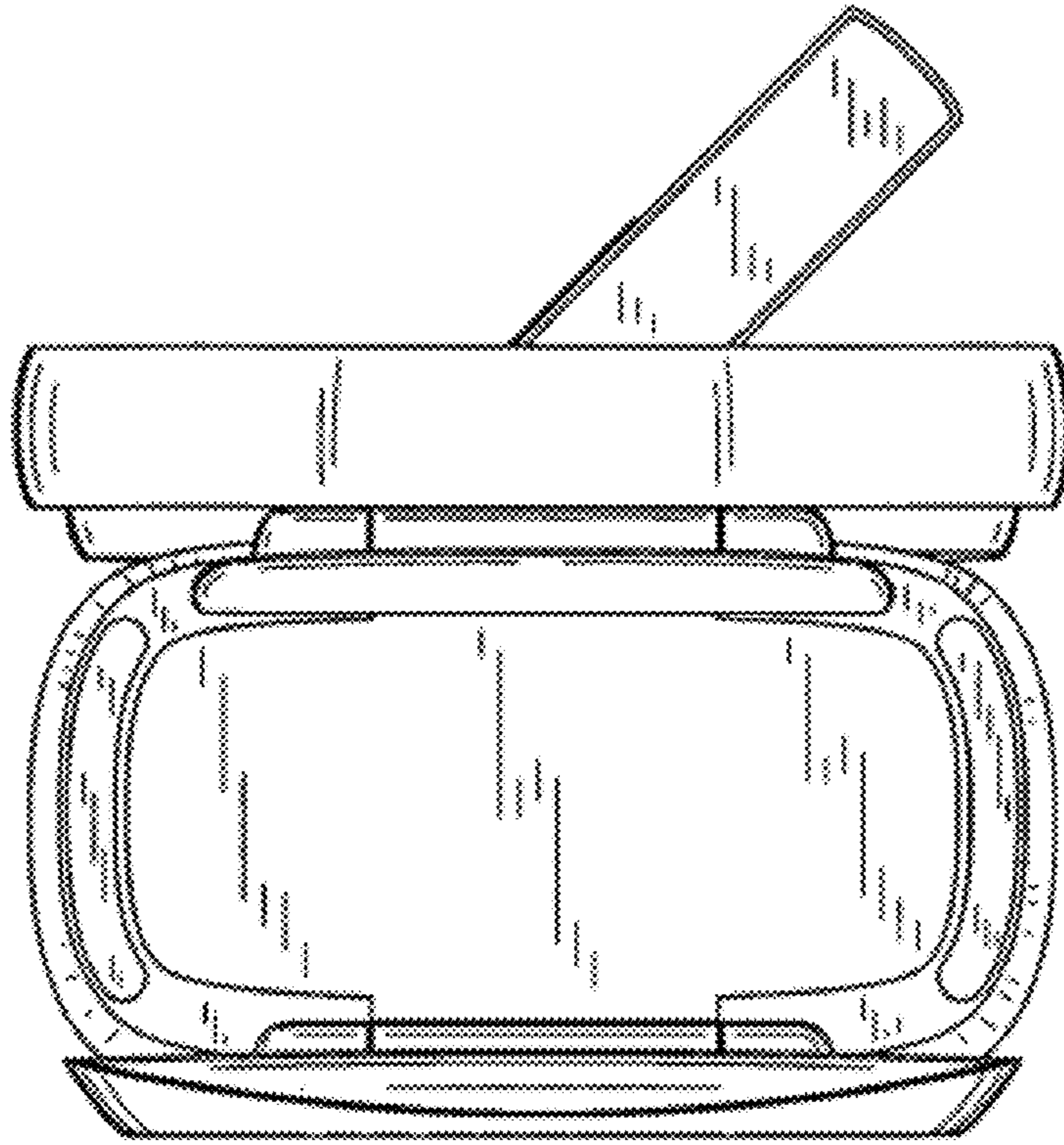


FIG. 10

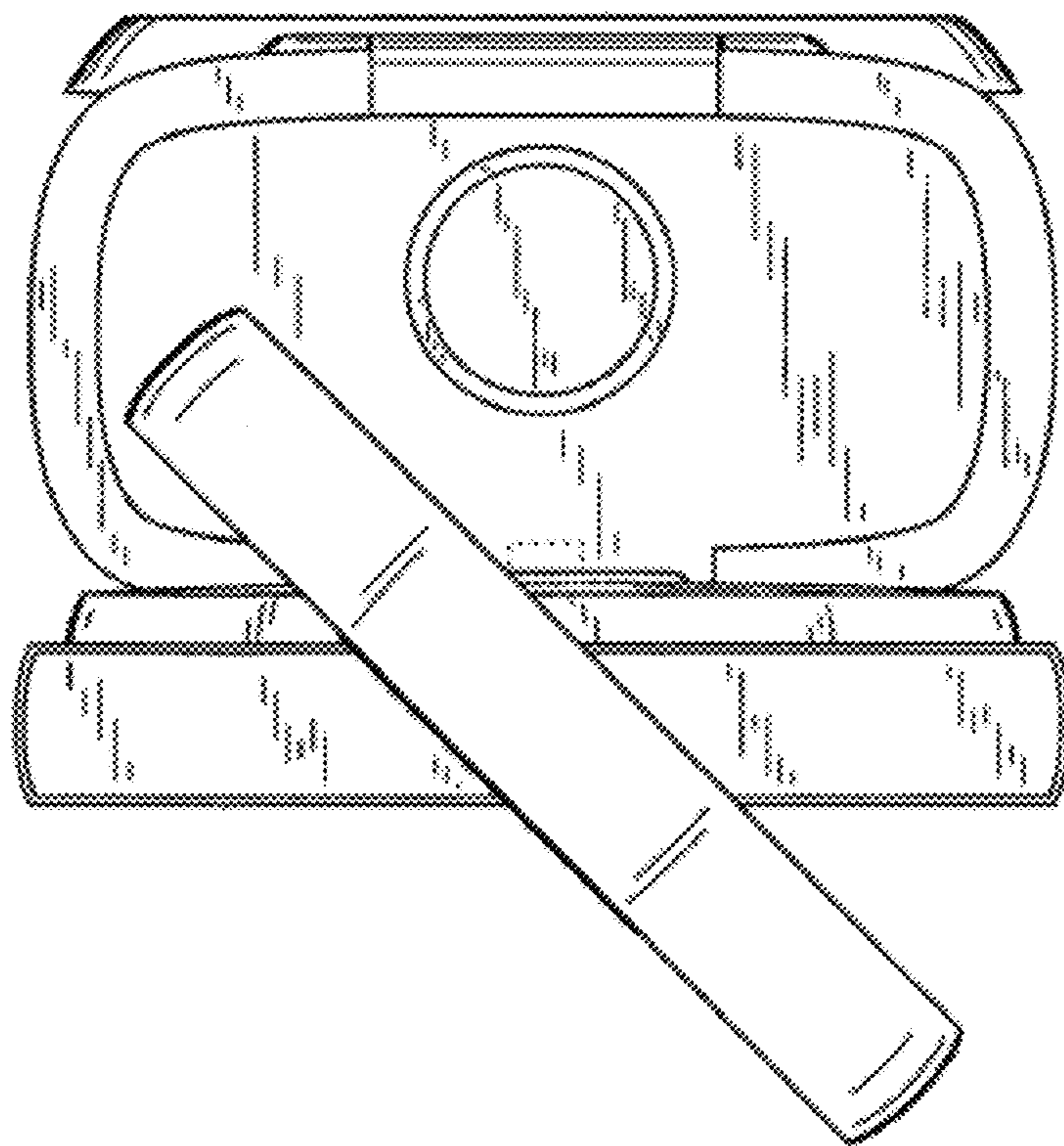


FIG. 11

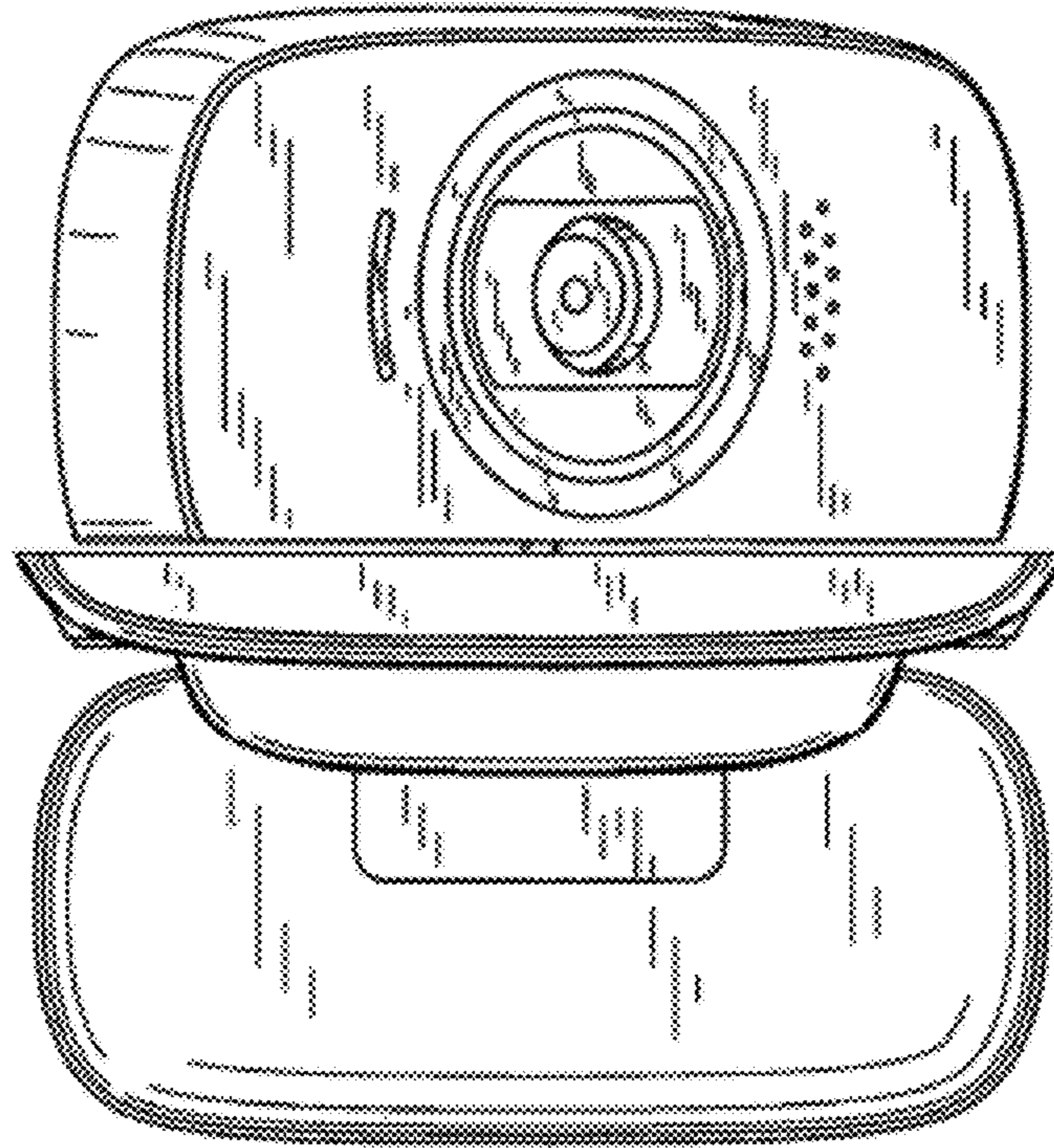


FIG. 12

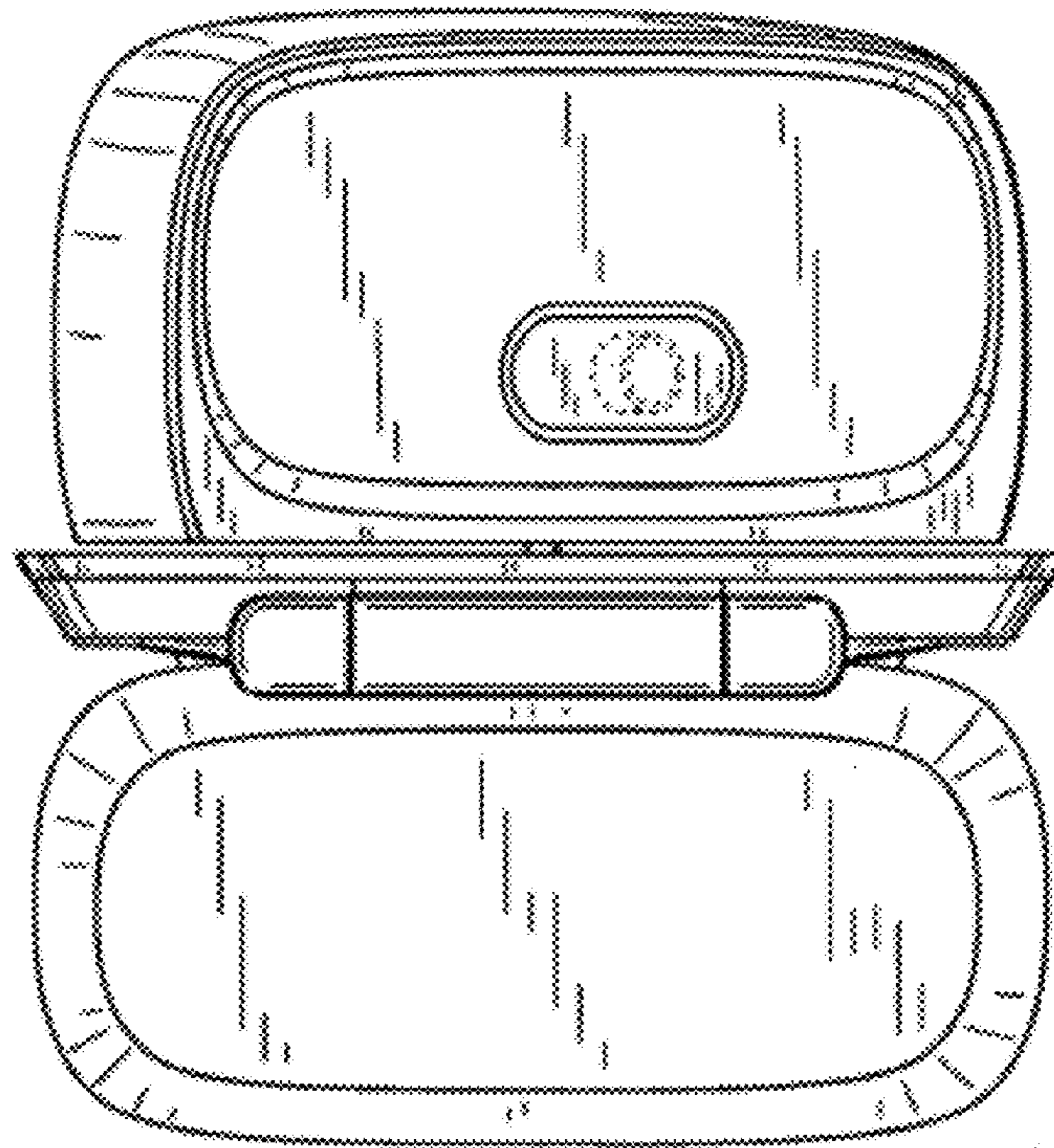


FIG. 13

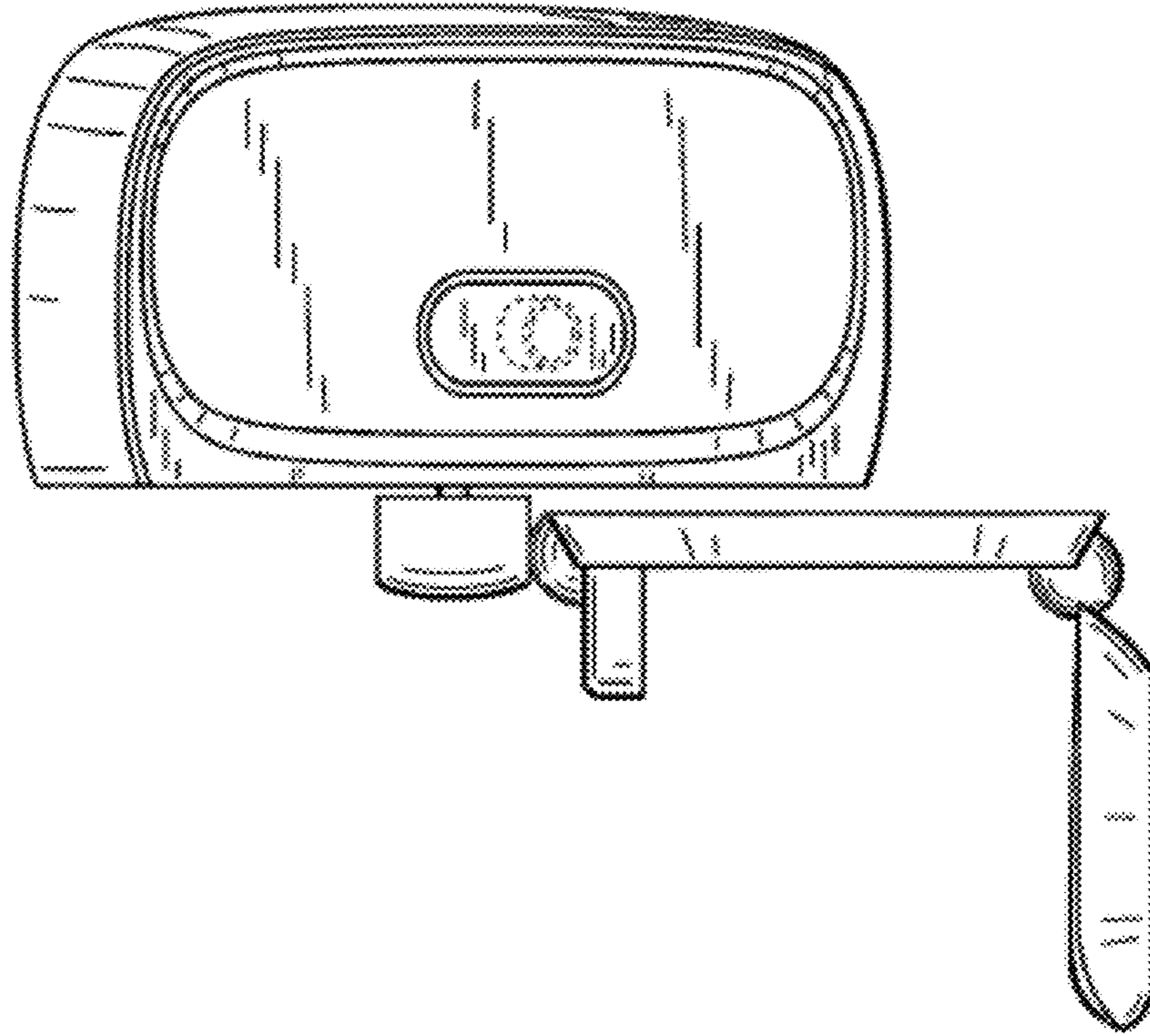


FIG. 14

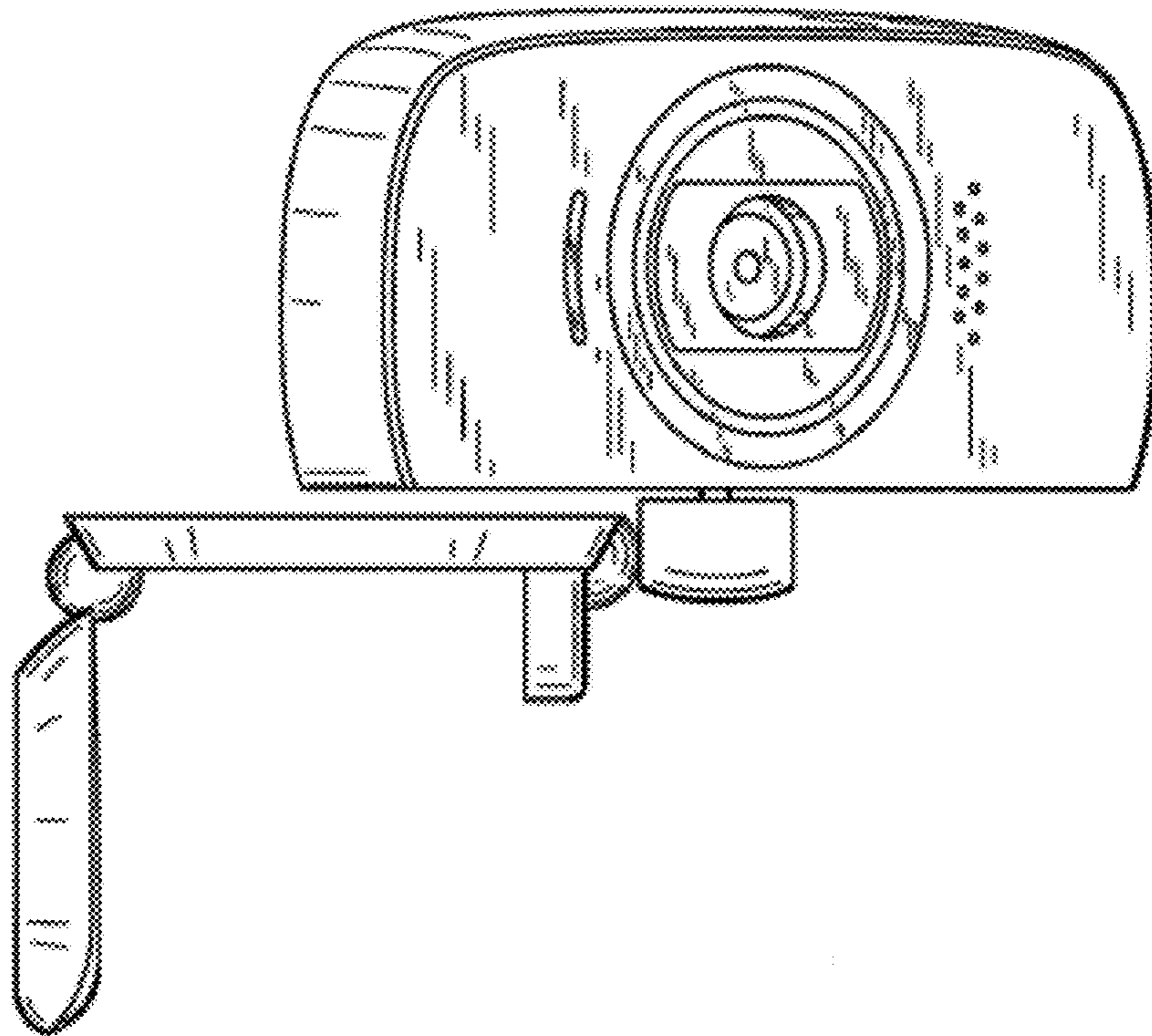


FIG. 15