



US00D665437S

(12) **United States Design Patent**
Johnson, Jr. et al.

(10) **Patent No.:** **US D665,437 S**

(45) **Date of Patent:** **** Aug. 14, 2012**

(54) **SECONDARY LENS FOR A
CONCENTRATING PHOTOVOLTAIC
SYSTEM MODULE**

(76) Inventors: **Richard L. Johnson, Jr.**, Suffolk, VA
(US); **Michael F. Turk**, Los Angeles, CA
(US); **Richard J. Russell**, La Crescenta,
CA (US); **Neil Alan Fromer**, Pasadena,
CA (US)

(**) Term: **14 Years**

(21) Appl. No.: **29/400,496**

(22) Filed: **Aug. 29, 2011**

(51) **LOC (9) Cl.** **16-06**

(52) **U.S. Cl.** **D16/134; D16/130**

(58) **Field of Classification Search** D16/130,
D16/134; D26/120, 104, 93; 362/308, 335;
359/611, 819, 708, 726, 712

See application file for complete search history.

(56) **References Cited**

U.S. PATENT DOCUMENTS

2,514,164	A *	7/1950	Popp et al.	362/363
2,906,161	A *	9/1959	Thompson	356/153
2,908,197	A *	10/1959	Wells et al.	340/815.76
5,463,502	A *	10/1995	Savage, Jr.	359/819
5,836,676	A *	11/1998	Ando et al.	362/244

5,848,839	A *	12/1998	Savage, Jr.	362/267
5,905,599	A *	5/1999	Nomura et al.	359/819
6,019,493	A *	2/2000	Kuo et al.	362/335
6,819,505	B1 *	11/2004	Cassarly et al.	359/726
6,836,379	B2 *	12/2004	Gerhard et al.	359/726
D508,510	S *	8/2005	Galli	D16/134
D511,787	S *	11/2005	Galli	D16/134
7,365,921	B2 *	4/2008	Bonitz et al.	359/811
7,413,325	B2 *	8/2008	Chen	362/249.01
7,686,486	B2 *	3/2010	Tessnow et al.	362/487
D631,075	S *	1/2011	Liu et al.	D16/134
D631,186	S *	1/2011	Chen et al.	D26/120
7,967,478	B2 *	6/2011	Incerti et al.	362/326
8,047,677	B2 *	11/2011	Wang	362/249.02

* cited by examiner

Primary Examiner — Paula Greene

(57) **CLAIM**

The ornamental design for a secondary lens for a concentrating photovoltaic system module, as shown and described.

DESCRIPTION

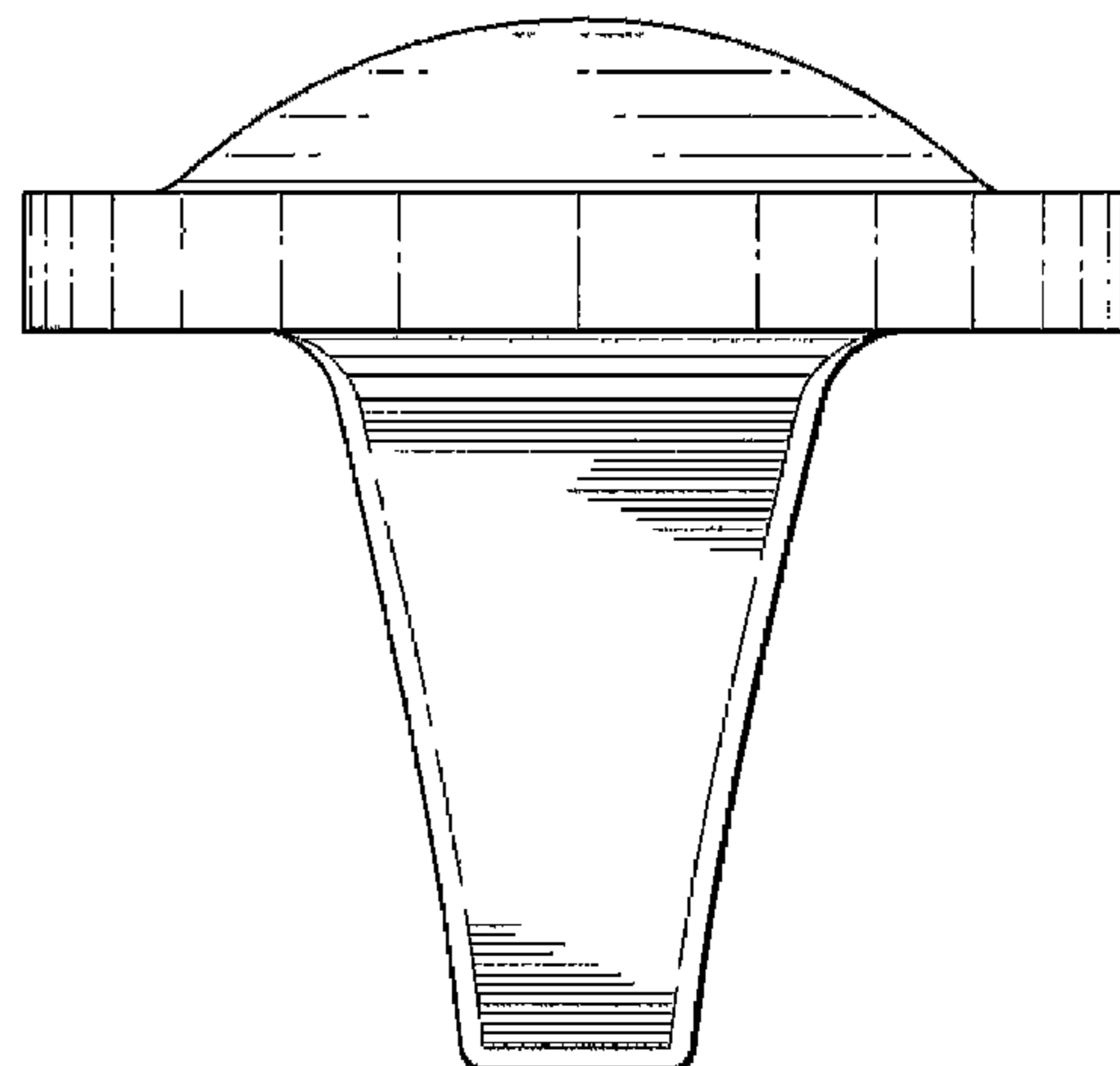
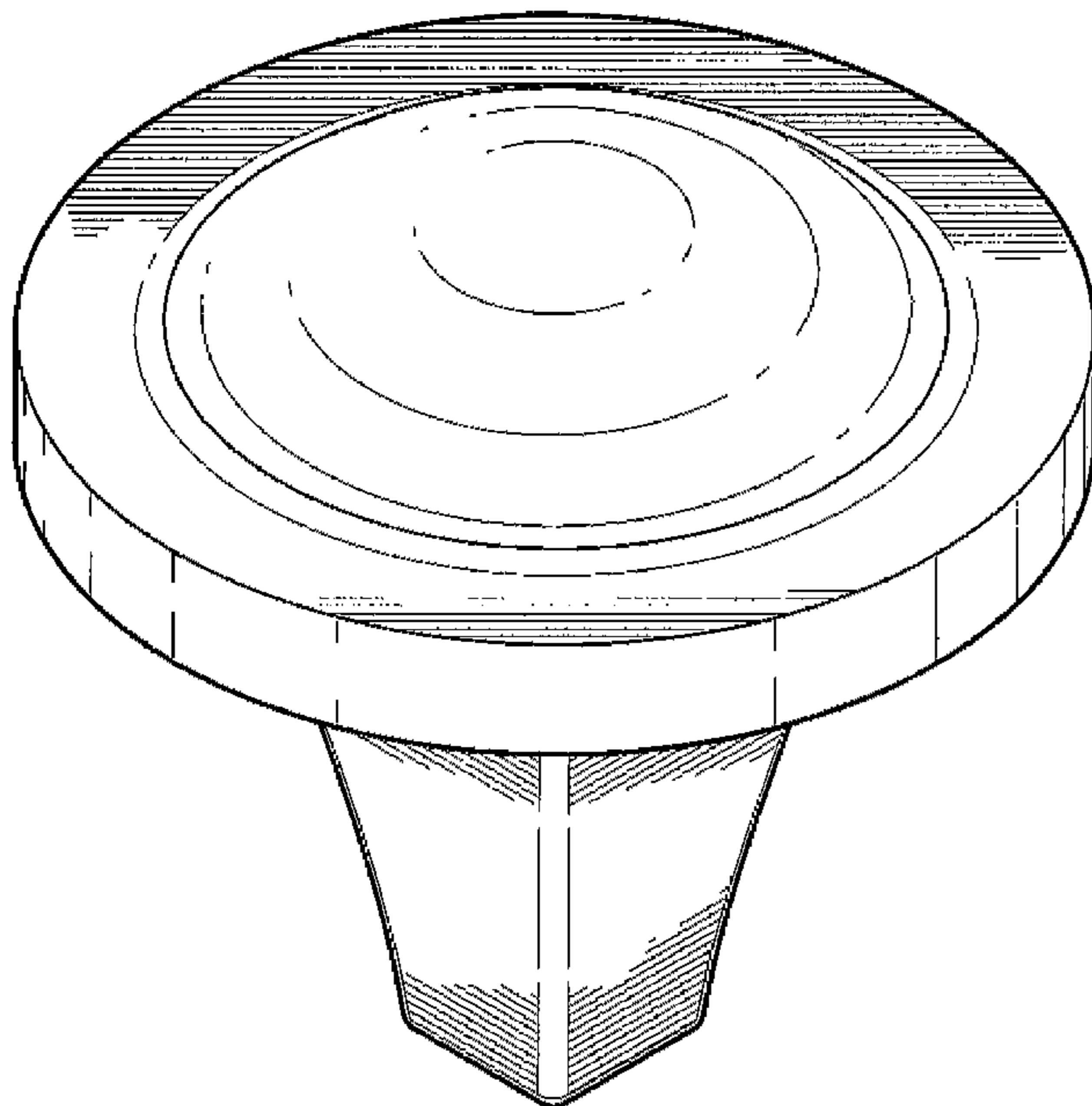
FIG. 1 is a top perspective view that illustrates the secondary lens for a concentrating photovoltaic system module.

FIG. 2 is a side elevation view thereof;

FIG. 3 is a top plan view thereof; and,

FIG. 4 is a bottom plan view thereof.

1 Claim, 4 Drawing Sheets



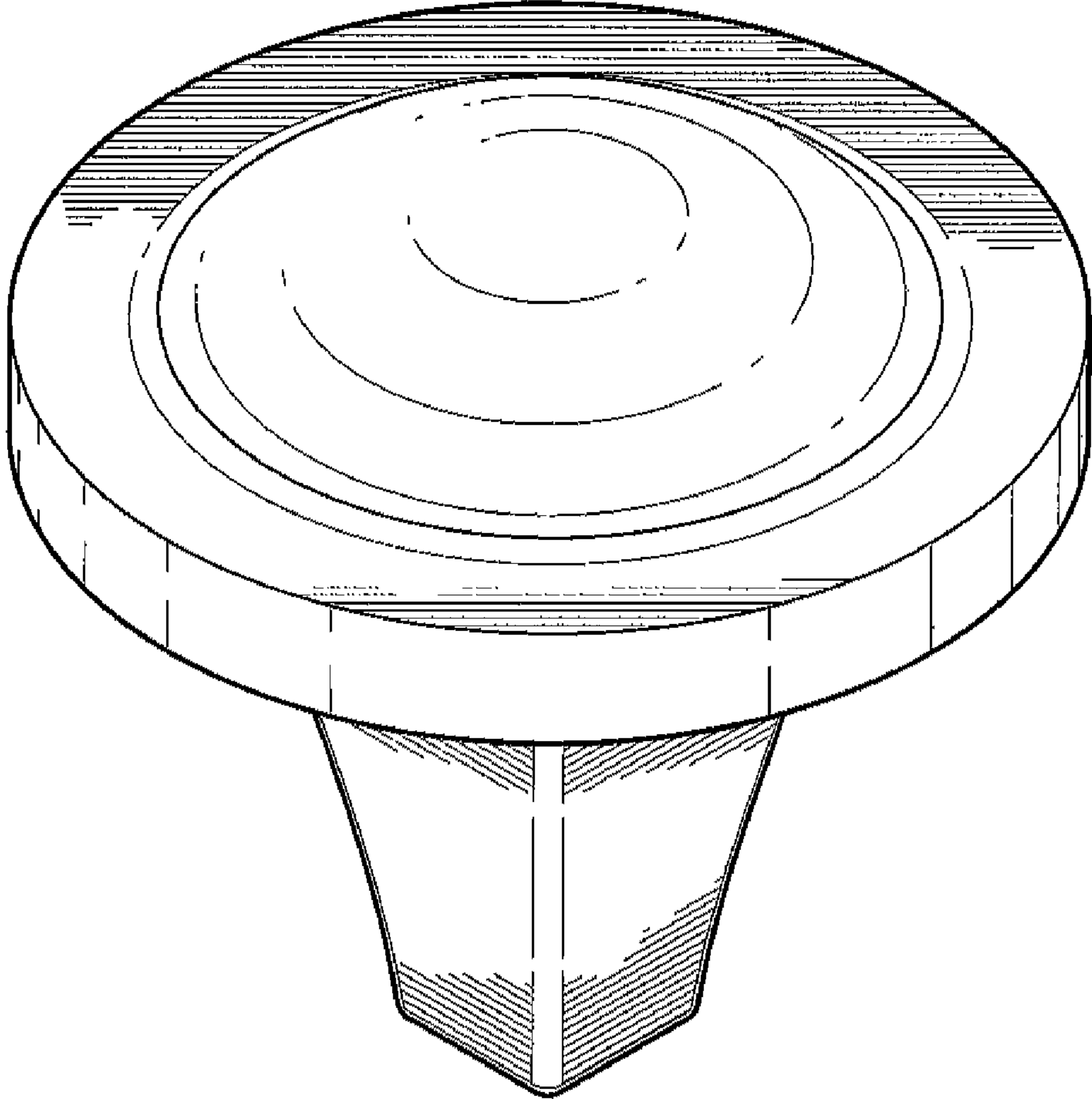


FIG. 1

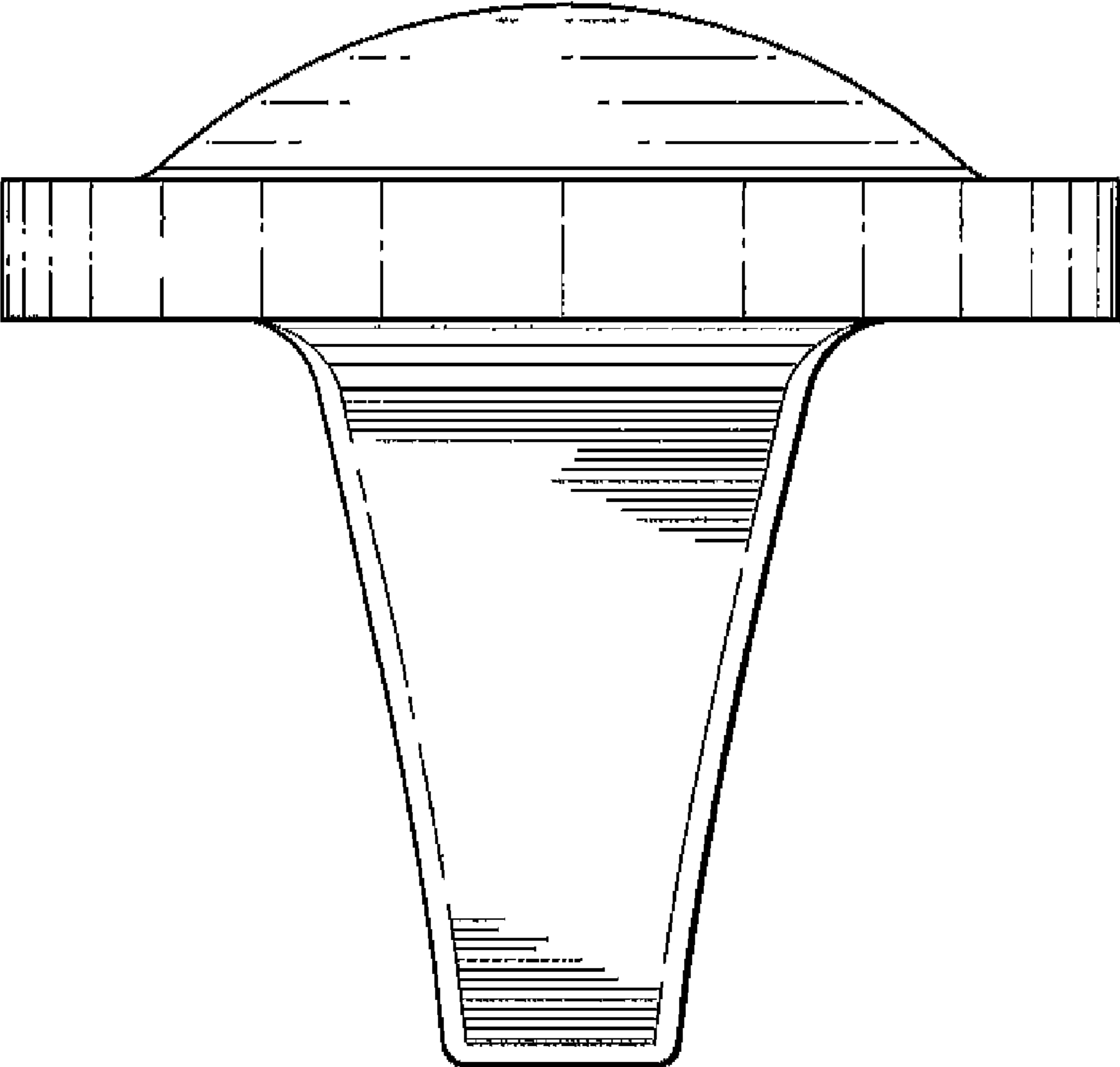


FIG. 2

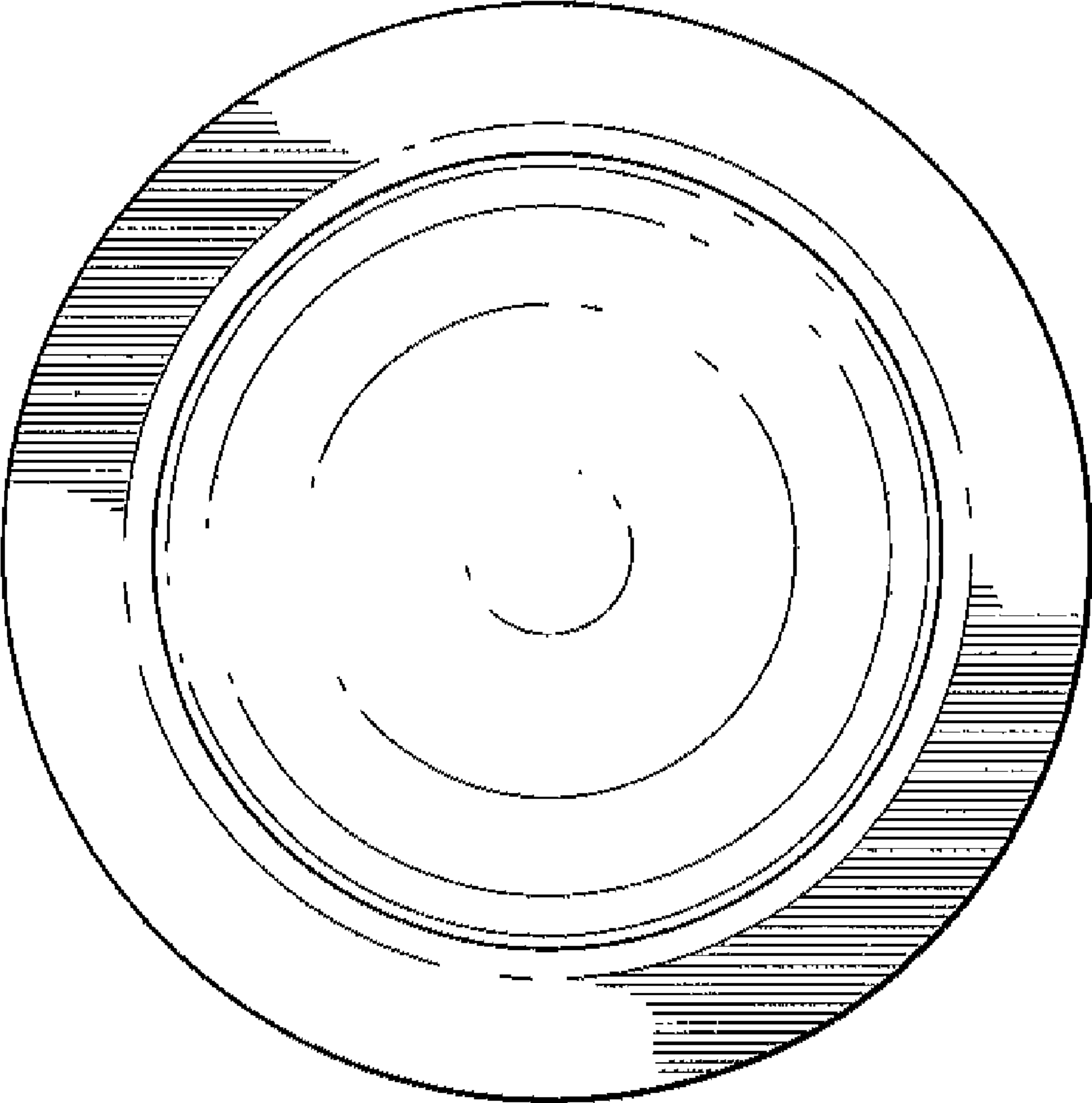


FIG. 3

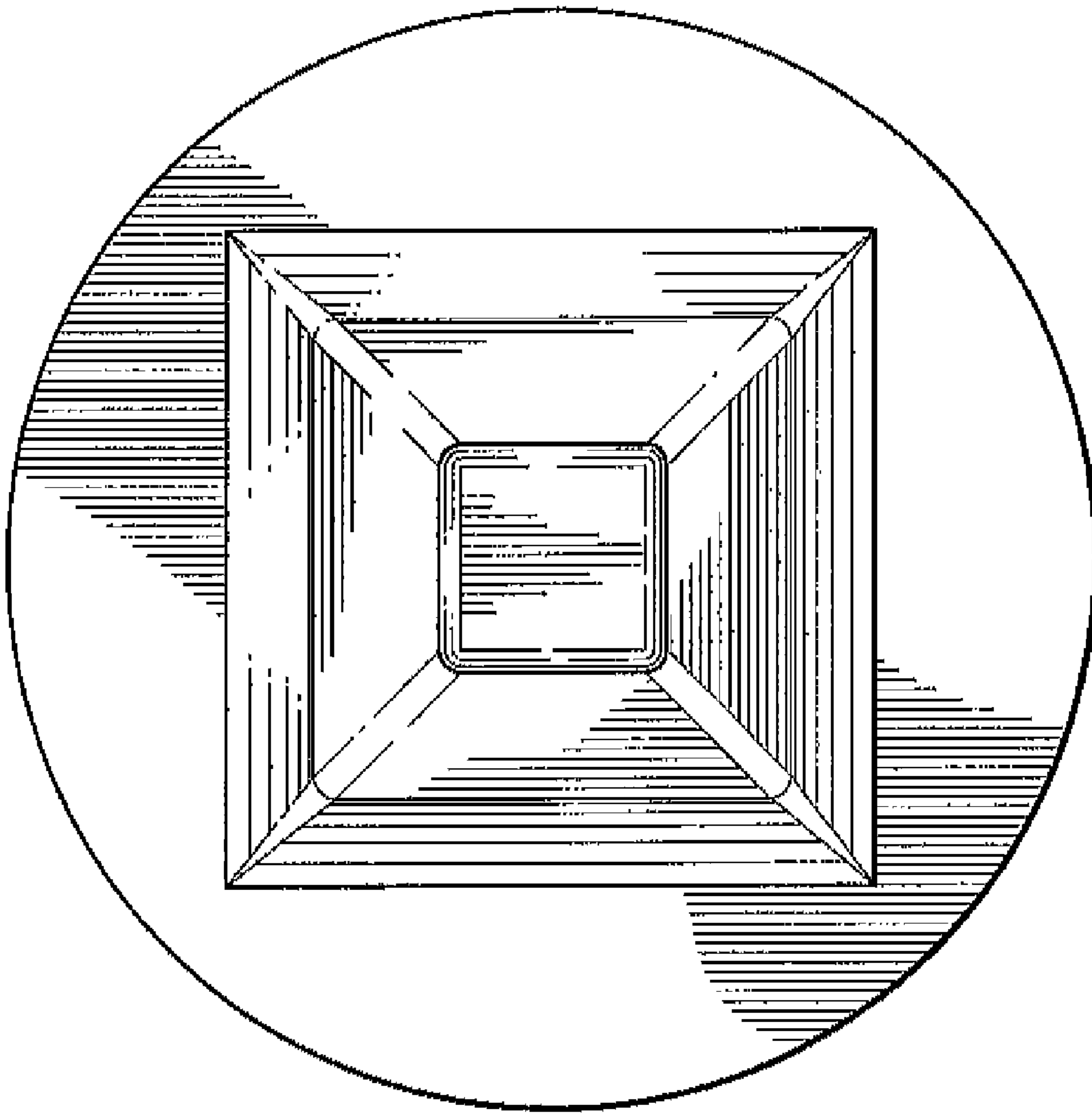


FIG. 4