

US00D665436S

(12) **United States Design Patent**
Hird, Jr.

(10) **Patent No.:** **US D665,436 S**

(45) **Date of Patent:** **** Aug. 14, 2012**

(54) **GATE OPERATOR**

(75) Inventor: **Arthur Douglas Hird, Jr.**, San Carlos,
CA (US)

(73) Assignee: **Advantage Gate Products Inc.**,
Redwood City, CA (US)

(**) Term: **14 Years**

(21) Appl. No.: **29/372,960**

(22) Filed: **Feb. 10, 2011**

(51) **LOC (9) Cl.** **15-99**

(52) **U.S. Cl.** **D15/199; D25/126**

(58) **Field of Classification Search** D13/184,
D13/162; 49/13, 14, 24, 30, 240, 381, 386,
49/280; 256/1; D15/199; D25/126
See application file for complete search history.

(56) **References Cited**

U.S. PATENT DOCUMENTS

2,073,834	A *	3/1937	Duany et al.	194/312
4,665,650	A *	5/1987	Hall	49/334
5,050,344	A *	9/1991	Skeem	49/237
D348,075	S *	6/1994	Meyer	D15/199
6,091,217	A *	7/2000	Parsadayan	318/285
D468,272	S *	1/2003	Parsadayan et al.	D13/162

D488,138 S * 4/2004 Parsadayan et al. D13/184
D621,529 S * 8/2010 Paige D25/126
2008/0307709 A1* 12/2008 Stull 49/280

* cited by examiner

Primary Examiner — Doris Clark

(74) *Attorney, Agent, or Firm* — Dorsey & Whitney LLP

(57) **CLAIM**

The ornamental design for a gate operator, as shown.

DESCRIPTION

FIG. 1 is a perspective view of a gate operator of the present invention.

FIG. 2 is a front elevational view of the gate operator shown in FIG. 1.

FIG. 3 is a rear elevational view of the gate operator shown in FIG. 1.

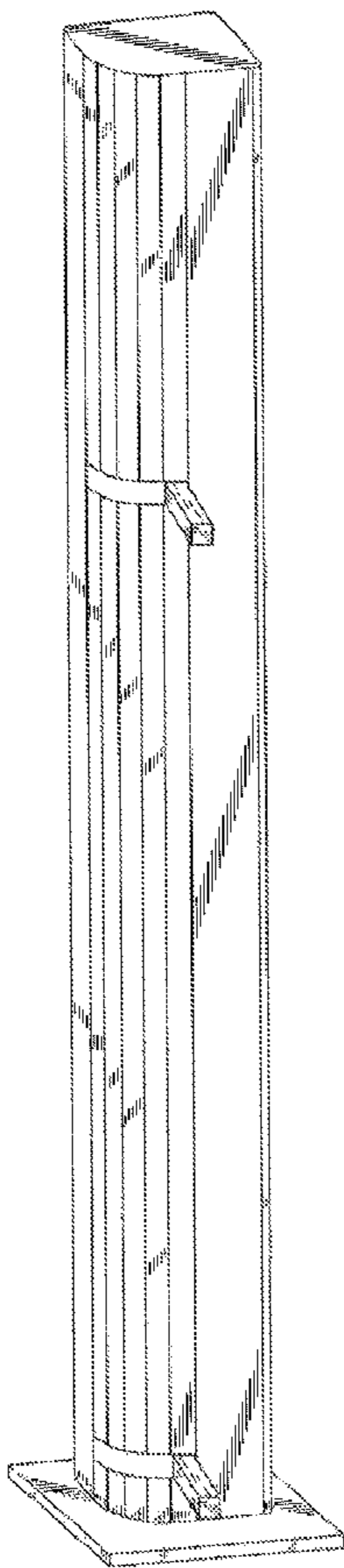
FIG. 4 is a left side elevational view of the gate operator shown in FIG. 1.

FIG. 5 is a right side elevational view of the gate operator shown in FIG. 1.

FIG. 6 is a top plan view of the gate operator shown in FIG. 1; and,

FIG. 7 is a bottom plan view of the gate operator shown in FIG. 1.

1 Claim, 3 Drawing Sheets



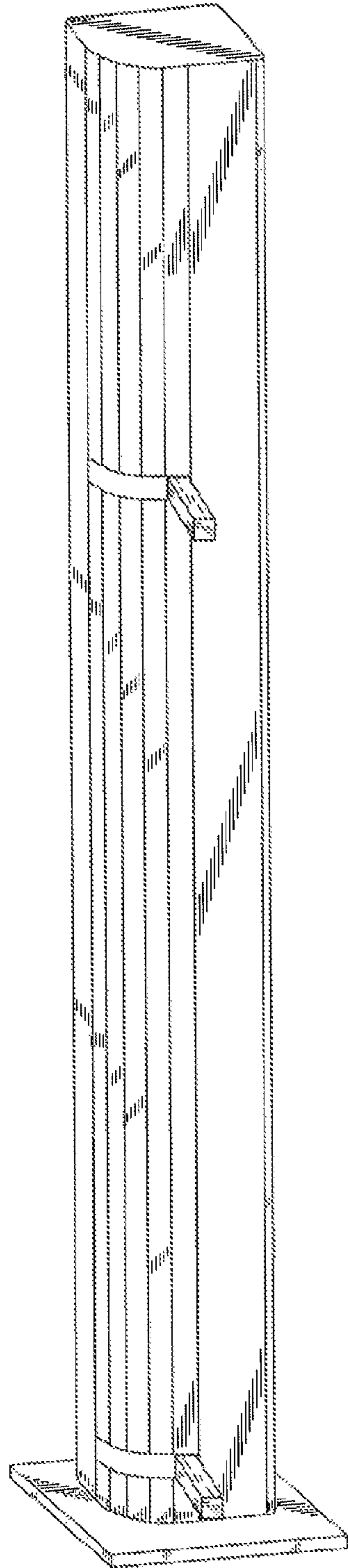


FIG. 1

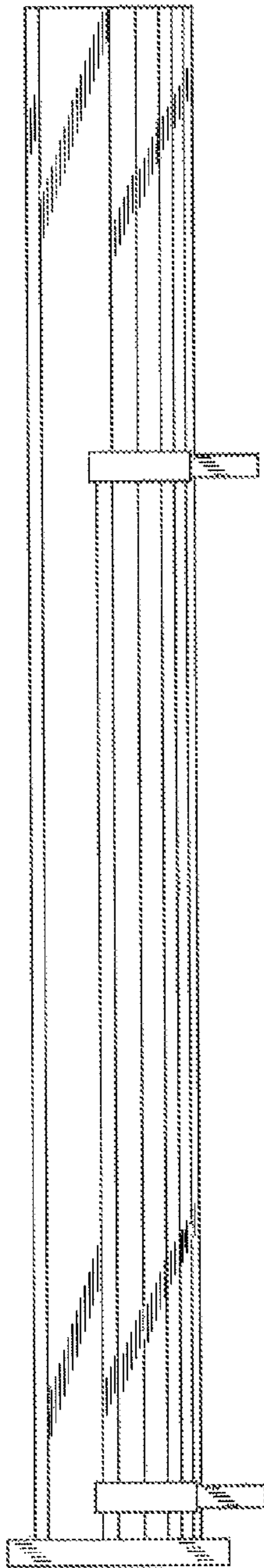


FIG. 2

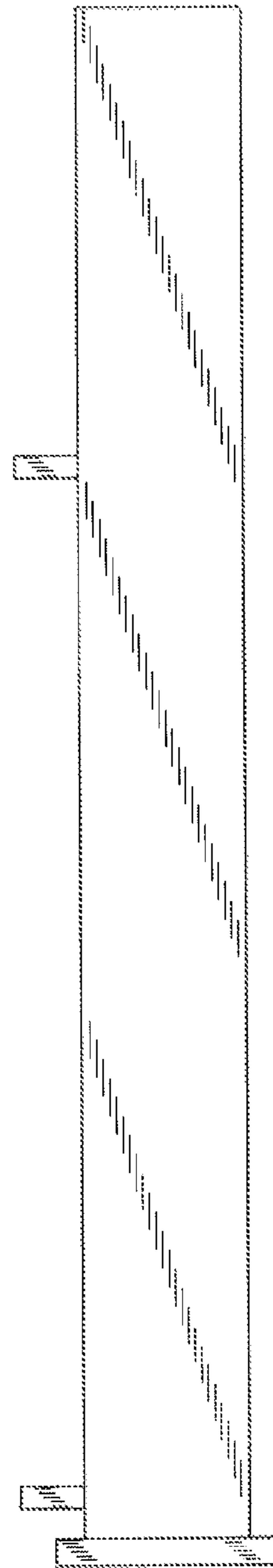


FIG. 3

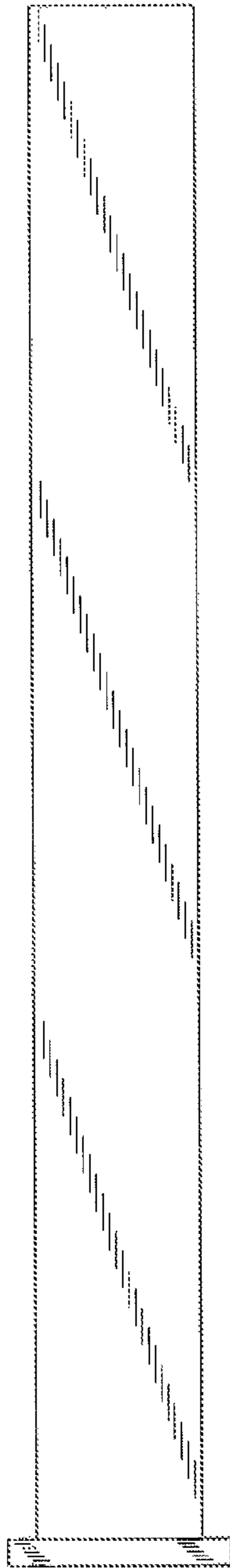


FIG. 4

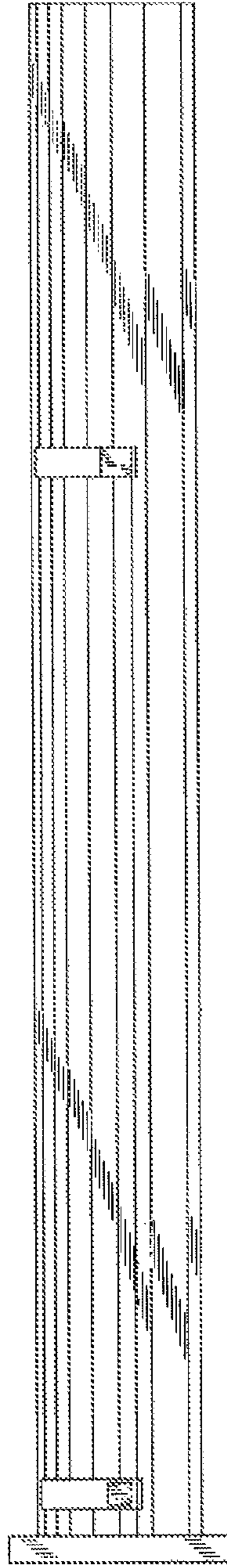


FIG. 5

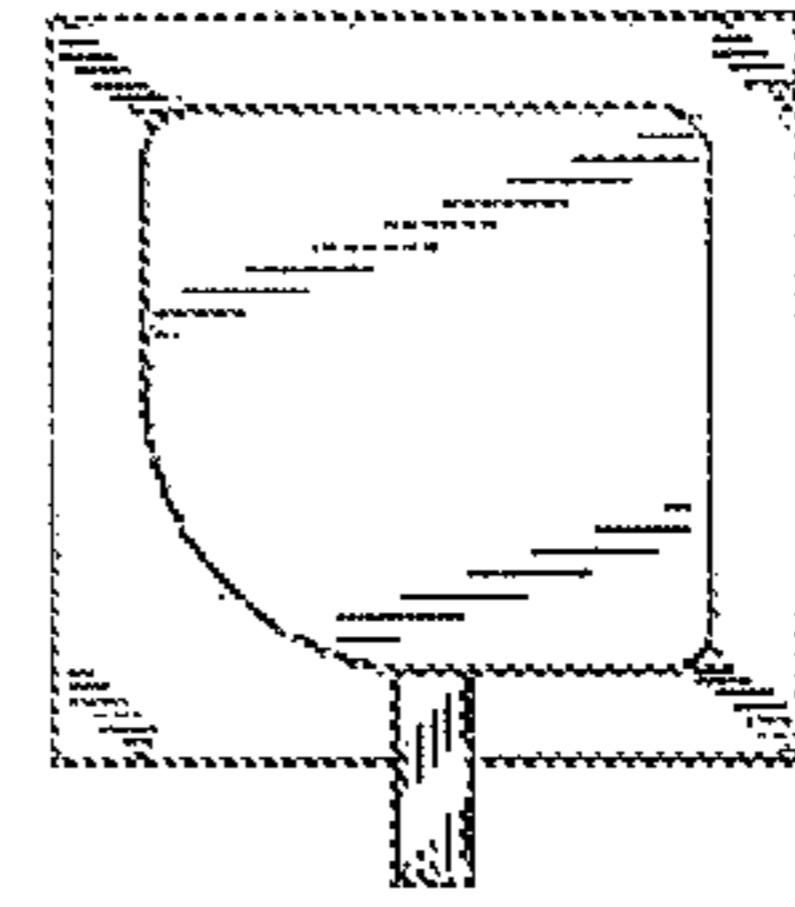


FIG. 6

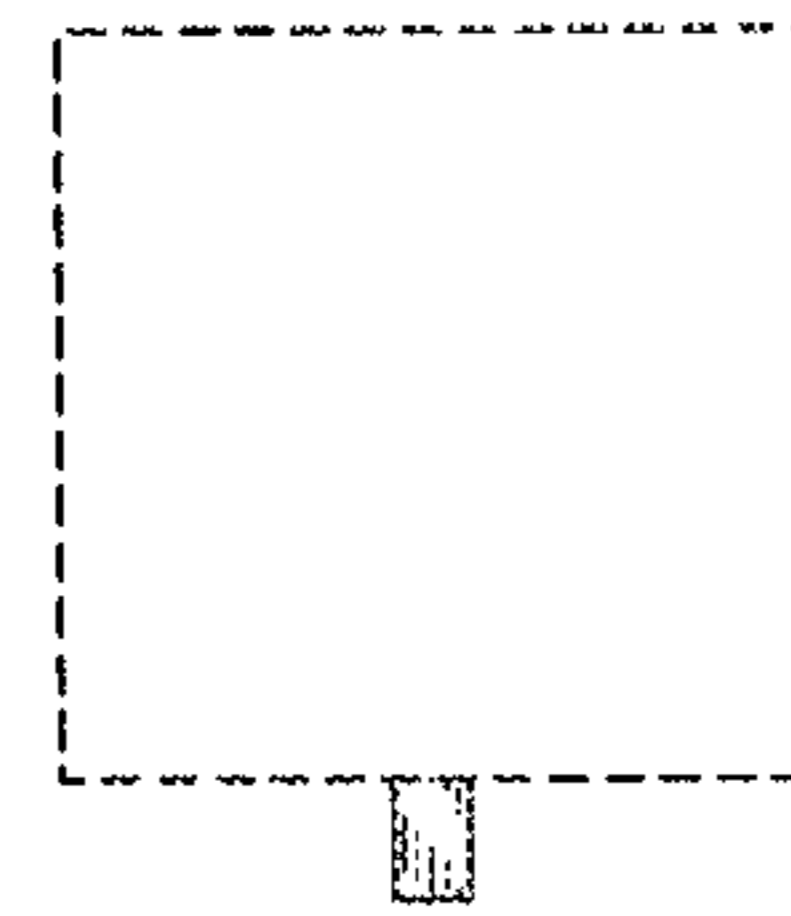


FIG. 7