



US00D665434S

(12) **United States Design Patent**
Mueller et al.

(10) **Patent No.:** **US D665,434 S**

(45) **Date of Patent:** **** Aug. 14, 2012**

(54) **TUBING WELDER**

(75) Inventors: **Alexander Mueller**, Fuerth (DE);
Sebastian Maier, Fuerth (DE)

(73) Assignee: **Sartorius Weighing Technology GmbH**
(DE)

(**) Term: **14 Years**

(21) Appl. No.: **29/412,932**

(22) Filed: **Feb. 9, 2012**

(30) **Foreign Application Priority Data**

Aug. 10, 2011 (EM) 001903048

(51) **LOC (9) Cl.** **15-09**

(52) **U.S. Cl.** **D15/144**

(58) **Field of Classification Search** D15/144,
D15/144.1, 144.2, 146; 156/304.2, 503,
156/583.9; 219/59.1, 60 A, 61, 61.1, 125.11,
219/158, 161, 494, 536, 764

See application file for complete search history.

(56) **References Cited**

U.S. PATENT DOCUMENTS

3,823,298 A * 7/1974 Rohrberg et al. 219/60 A
4,810,848 A * 3/1989 Kazlauskas 219/60 A
4,922,073 A * 5/1990 Weir 219/60 A
D328,750 S * 8/1992 Chou D15/146

5,196,664 A * 3/1993 McGushion 219/60 A
D411,554 S * 6/1999 Lee D15/146
D528,137 S * 9/2006 Huang D15/146
D542,315 S * 5/2007 Chang D15/146
7,326,897 B2 * 2/2008 Jensen 219/765
2002/0070206 A1 * 6/2002 Chou et al. 219/243
2005/0199339 A1 * 9/2005 Jensen 156/304.2
2006/0124636 A1 * 6/2006 Jensen 219/765
2006/0231211 A1 * 10/2006 Chou et al. 156/579

* cited by examiner

Primary Examiner — Patricia Palasik

(74) *Attorney, Agent, or Firm* — Gerald E. Hespos; Michael
J. Porco

(57) **CLAIM**

The ornamental design for a tubing welder, as shown and
described.

DESCRIPTION

FIG. 1 is a front perspective view of a tubing welder showing
the new design;

FIG. 2 is a rear perspective view thereof;

FIG. 3 is a top plan view thereof;

FIG. 4 is a front elevational view thereof;

FIG. 5 is a left side elevational view thereof;

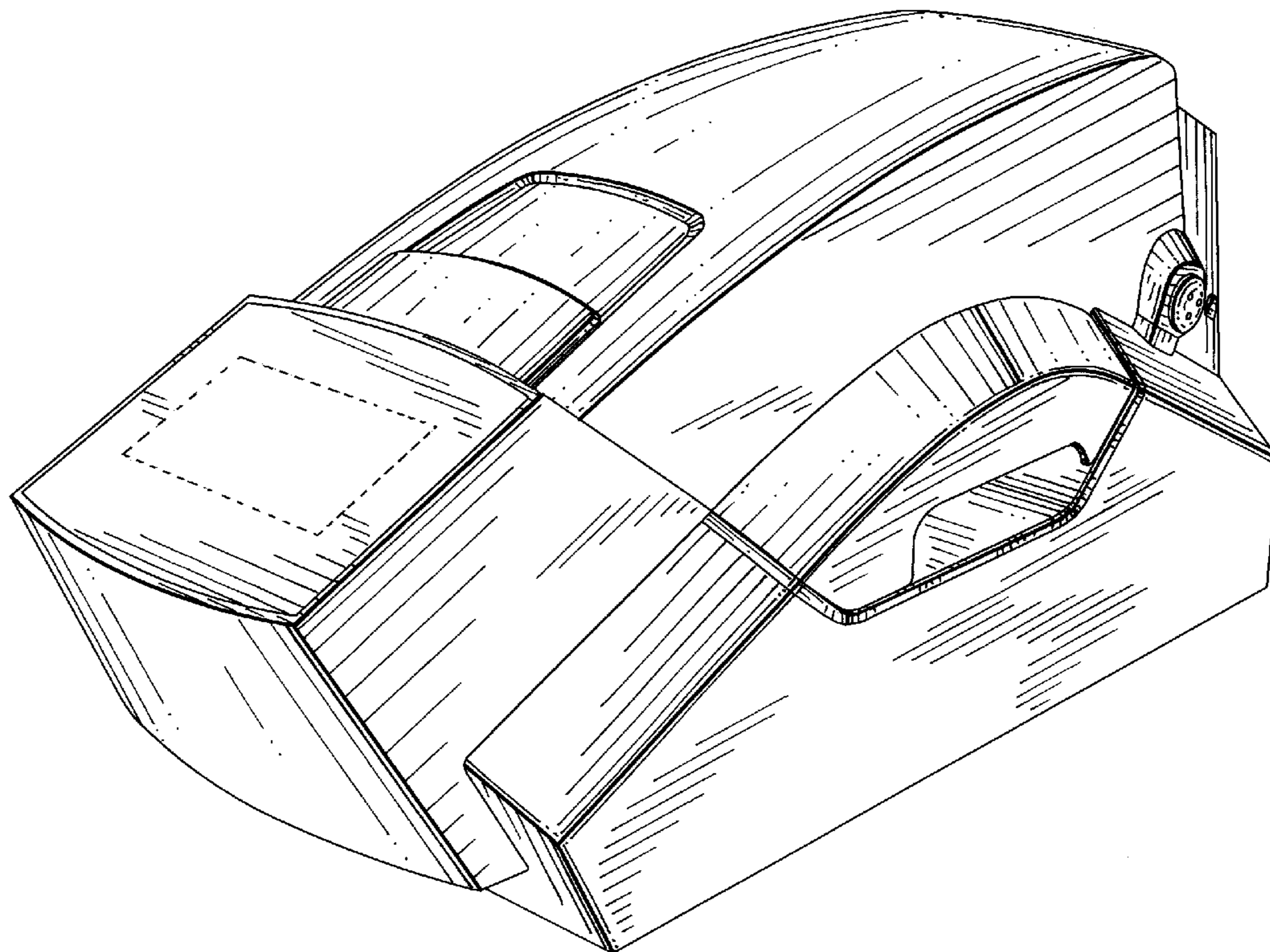
FIG. 6 is a right side elevational view thereof;

FIG. 7 is a rear elevational view thereof; and,

FIG. 8 is a bottom plan view thereof.

The broken lines in the drawings depict unclaimed environ-
mental subject matter.

1 Claim, 7 Drawing Sheets



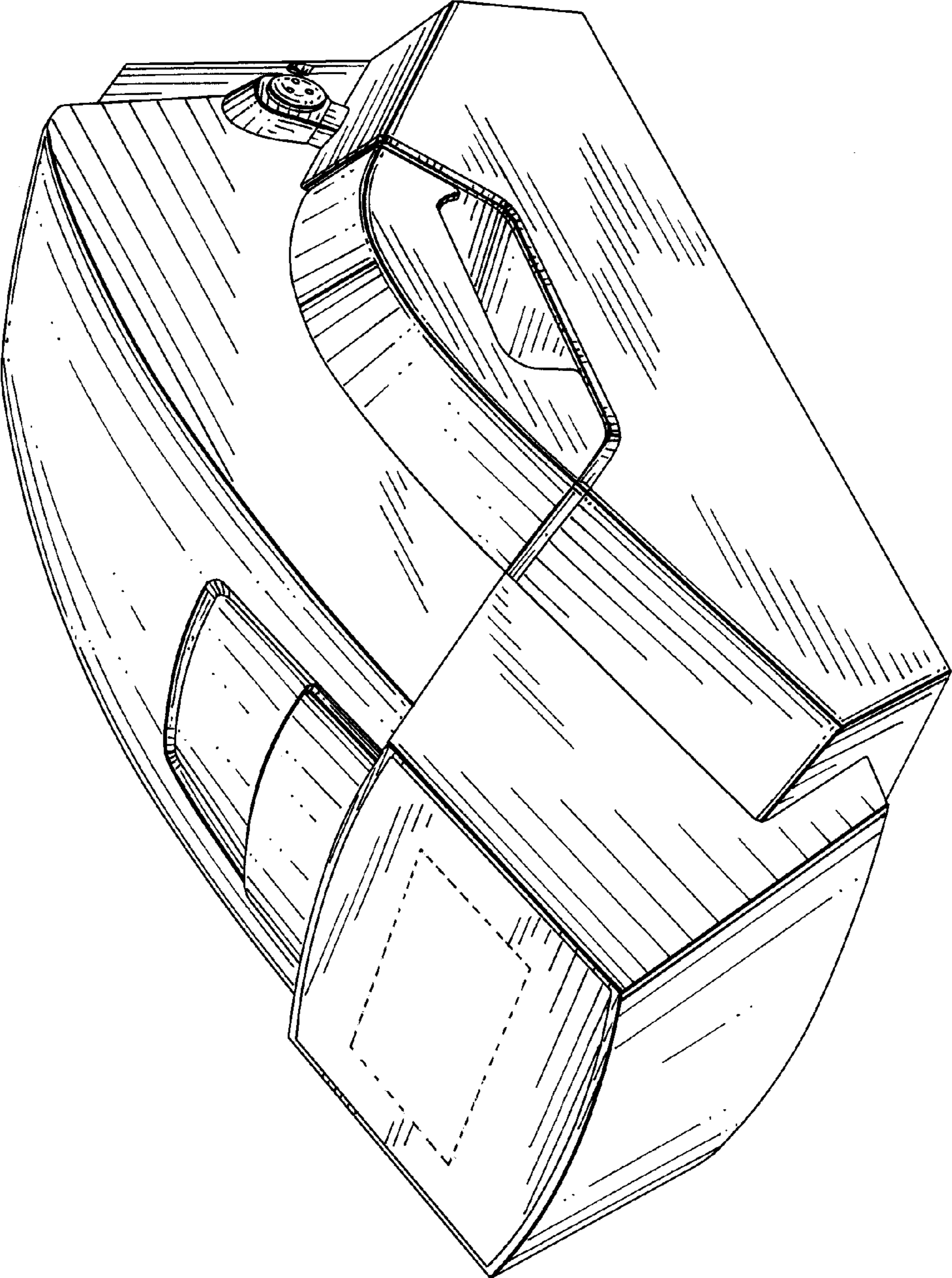


FIG.1

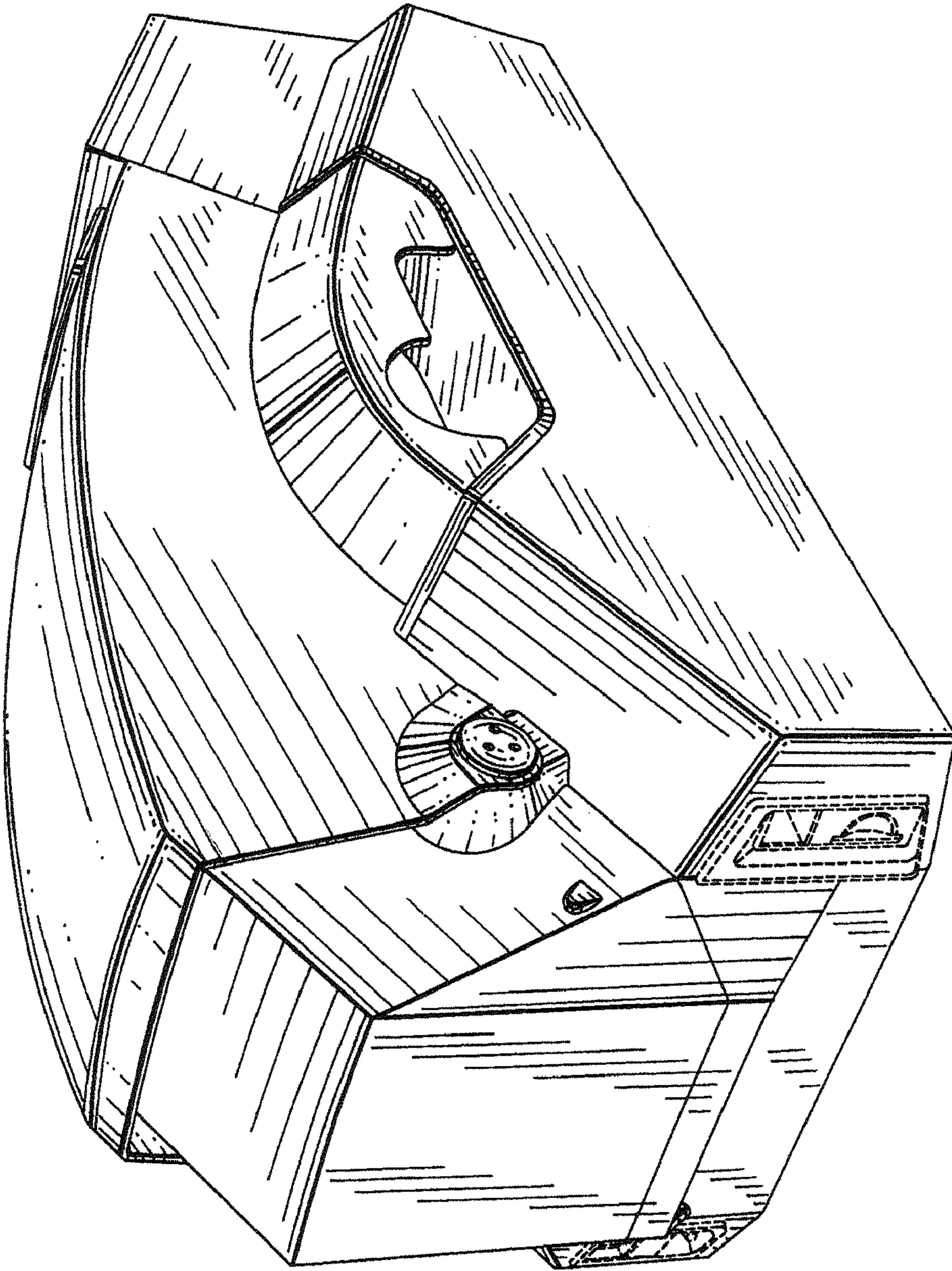


FIG.2

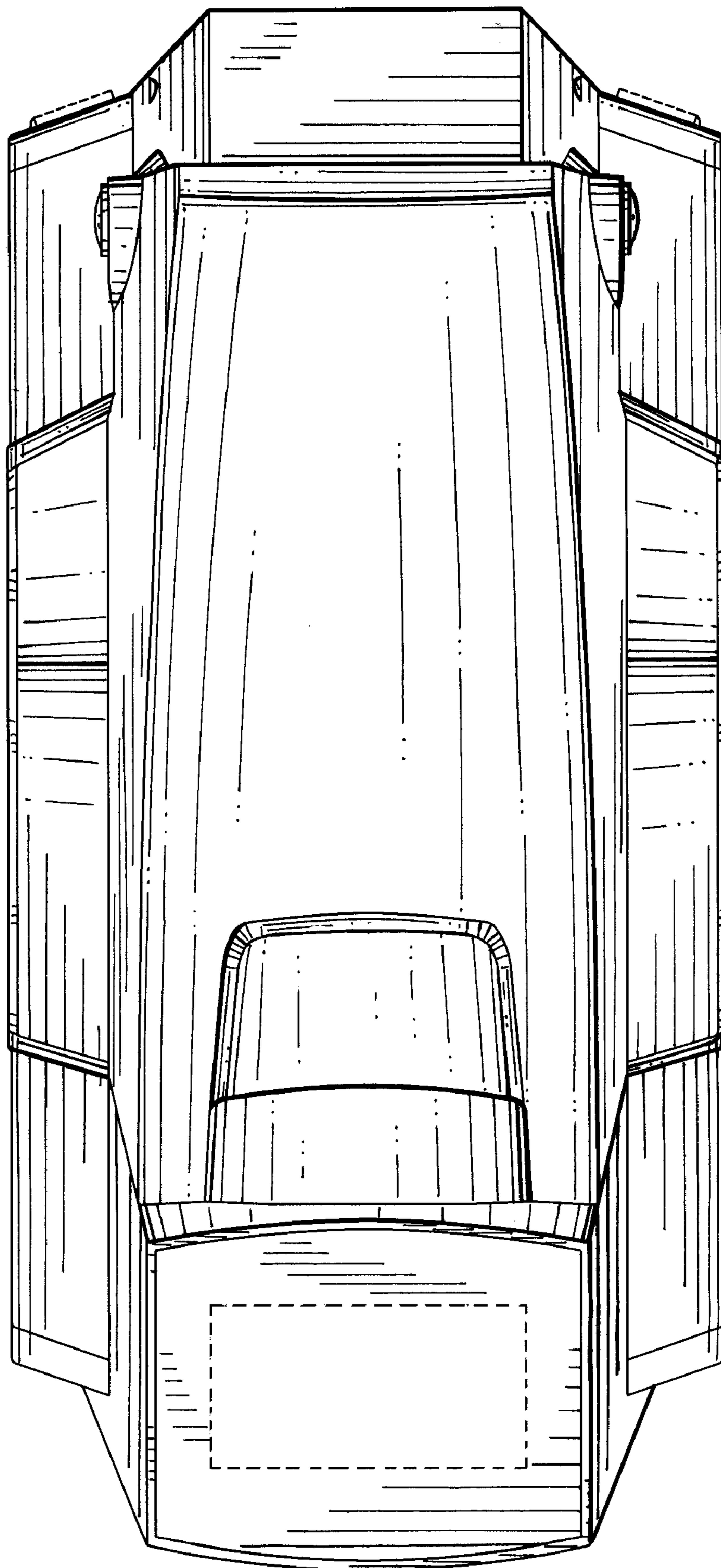


FIG. 3

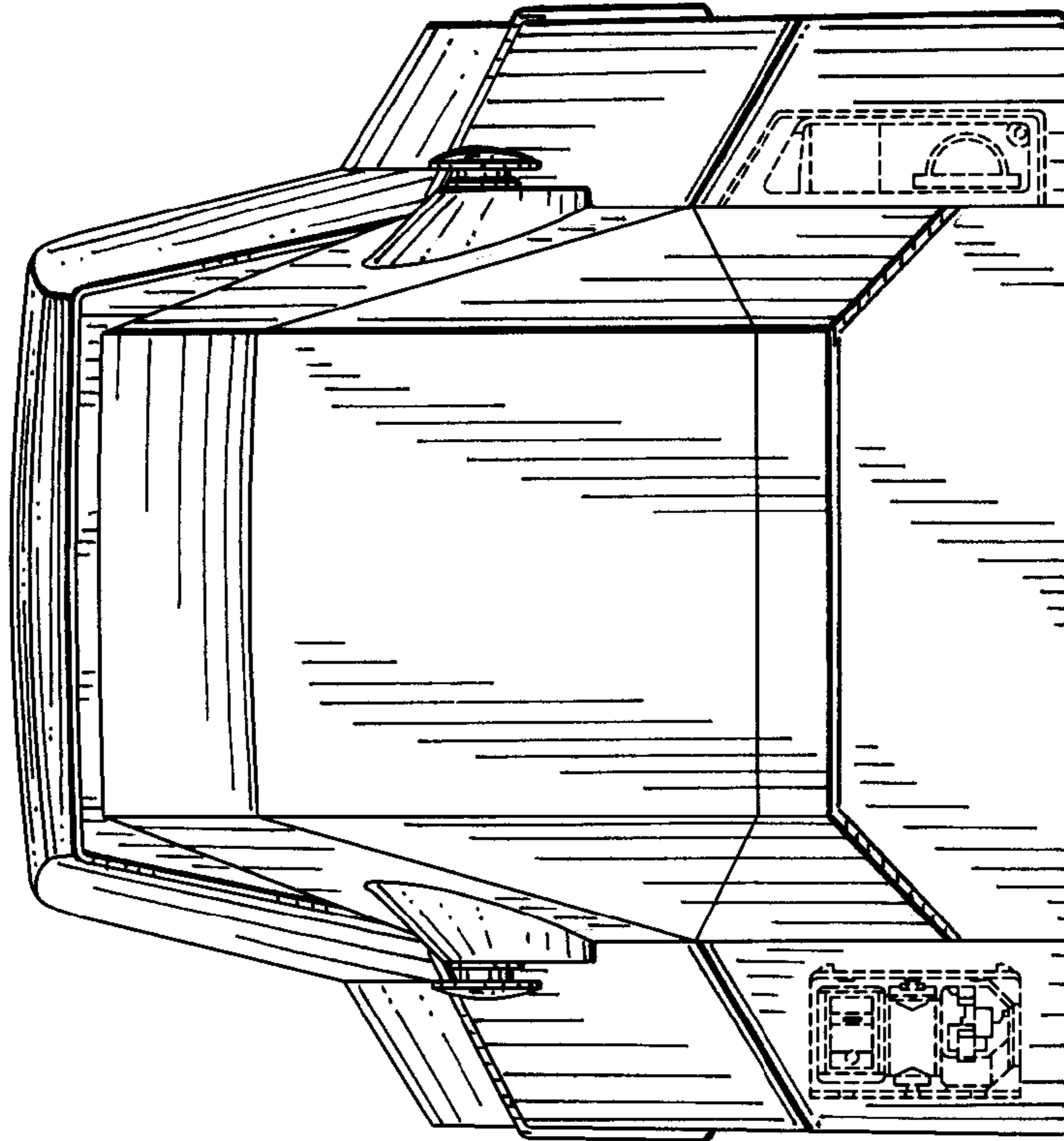


FIG. 7

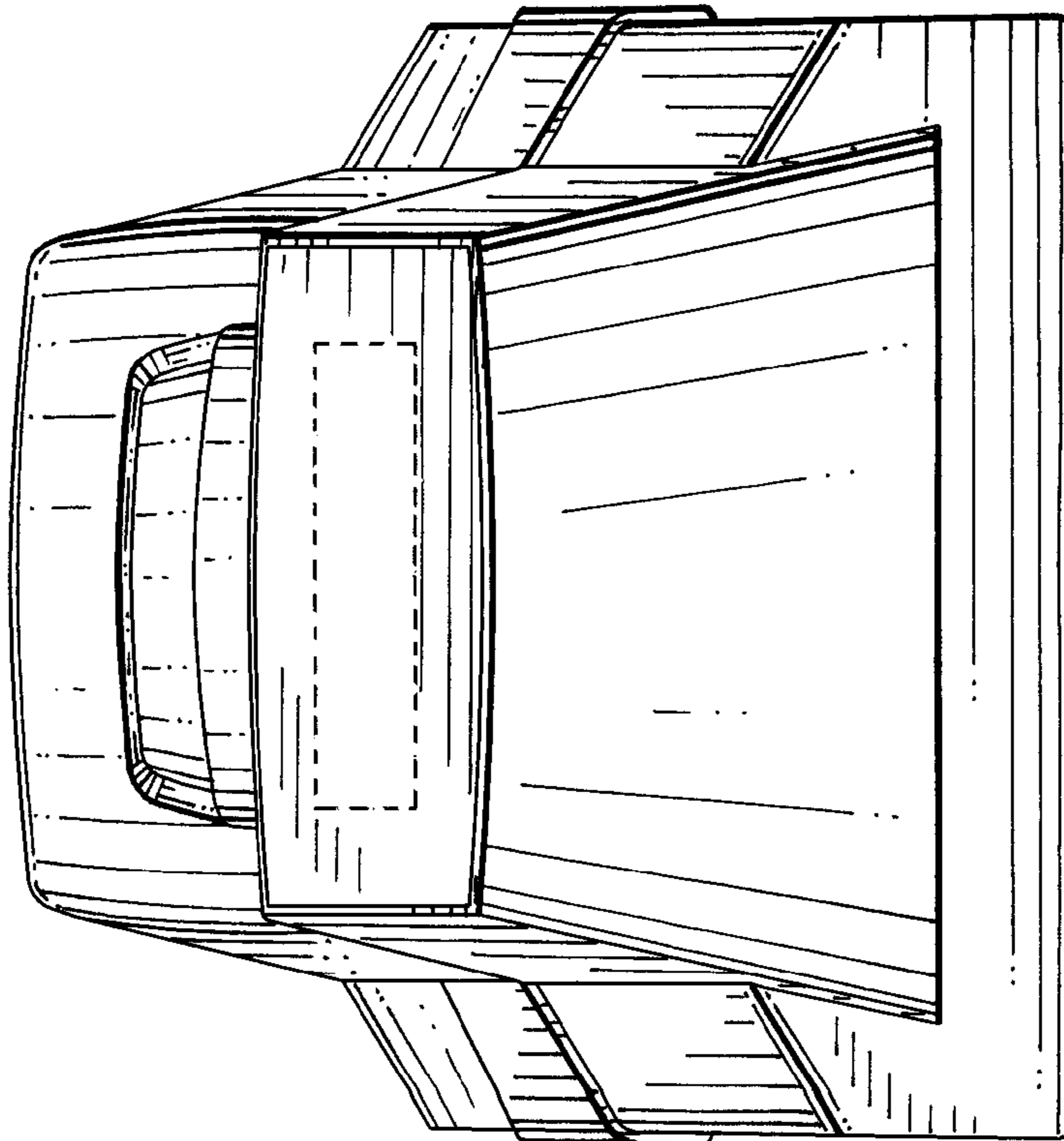


FIG. 4

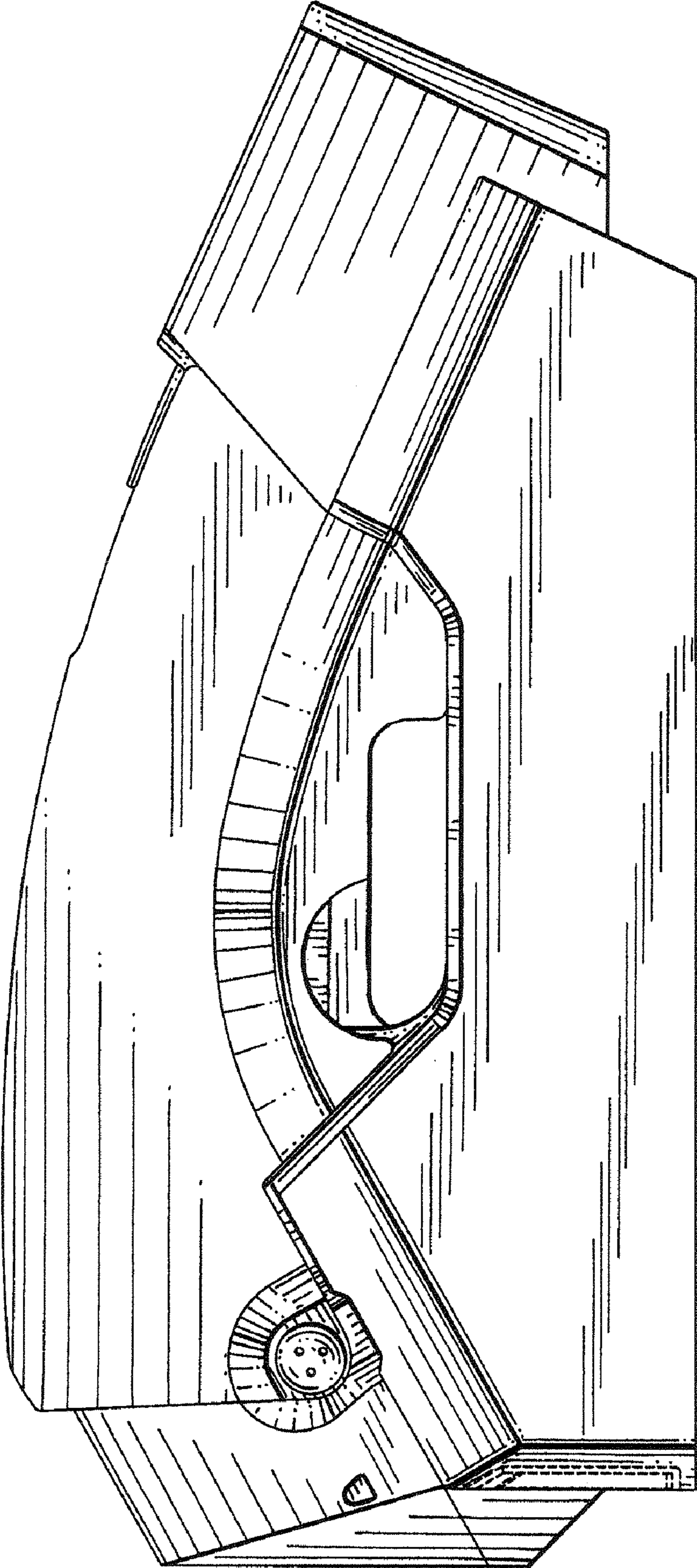


FIG. 5

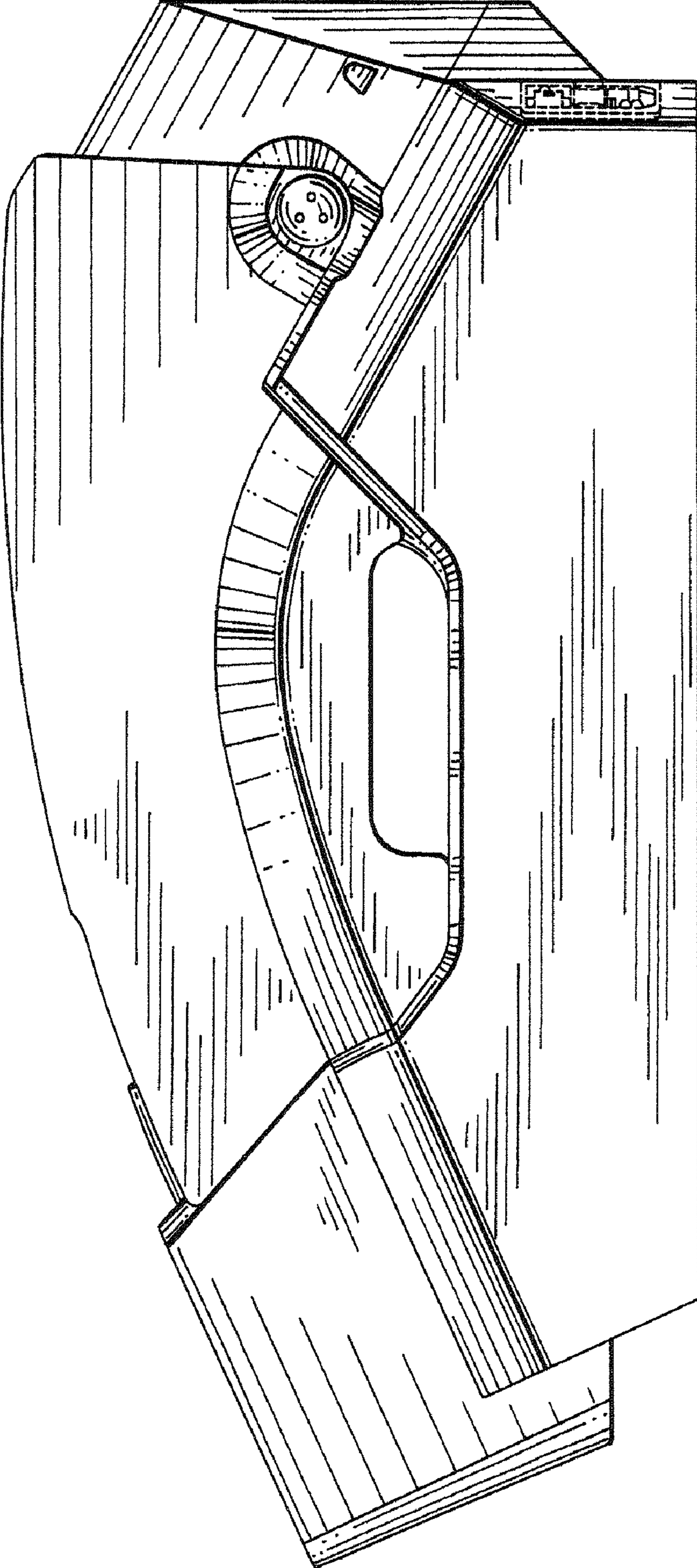


FIG. 6

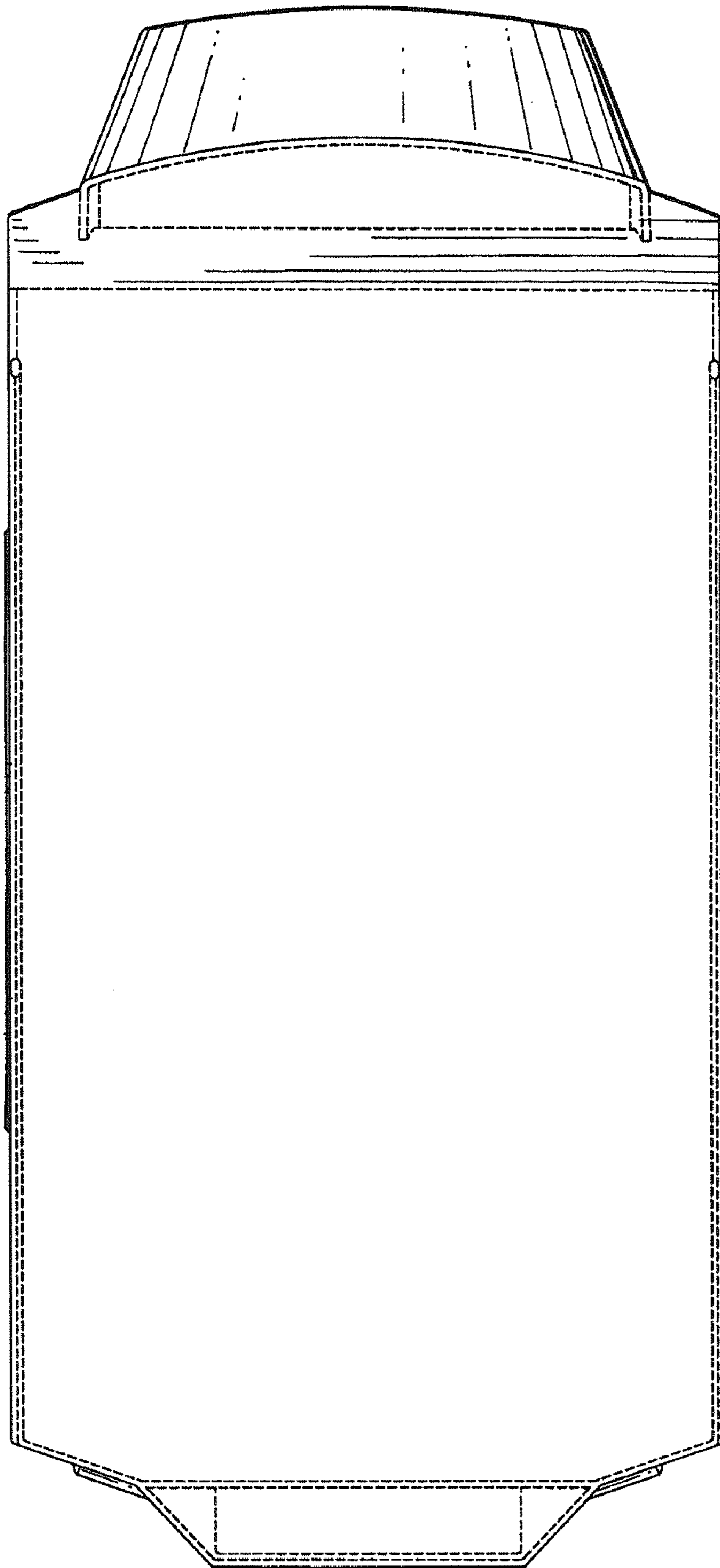


FIG. 8