

US00D665432S

(12) **United States Design Patent**
Jacob et al.

(10) **Patent No.:** **US D665,432 S**
(45) **Date of Patent:** **** Aug. 14, 2012**

(54) **BELT HOLDING TOOL**

(75) Inventors: **Hanson Jacob**, Owatonna, MN (US);
Jose Barrios, Owatonna, MN (US)

(73) Assignee: **SPX Corporation**, Charlotte, NC (US)

(**) Term: **14 Years**

(21) Appl. No.: **29/390,449**

(22) Filed: **Apr. 25, 2011**

(51) **LOC (9) Cl.** **15-09**

(52) **U.S. Cl.** **D15/140**

(58) **Field of Classification Search** D8/70,
D8/71; D15/132, 133, 138-140; 29/35.5,
29/39, 40, 41; 82/37; 83/574, 859; 144/286.1,
144/286.5, 329, 287; 269/157, 204, 901
See application file for complete search history.

(56) **References Cited**

U.S. PATENT DOCUMENTS

3,827,020	A *	7/1974	Okamoto	335/285
3,827,686	A *	8/1974	Storkh	269/315
D294,587	S *	3/1988	Smith et al.	D15/140
5,797,670	A *	8/1998	Snoke et al.	362/119
D463,465	S *	9/2002	Sommerville et al.	D15/140
6,606,767	B2 *	8/2003	Wong	24/303
D519,136	S *	4/2006	Folk et al.	D15/140
D534,934	S *	1/2007	Bernhardt	D15/140
D574,862	S *	8/2008	Reilly	D15/133

* cited by examiner

Primary Examiner — Patricia Palasik

(74) *Attorney, Agent, or Firm* — Baker & Hostetler LLP

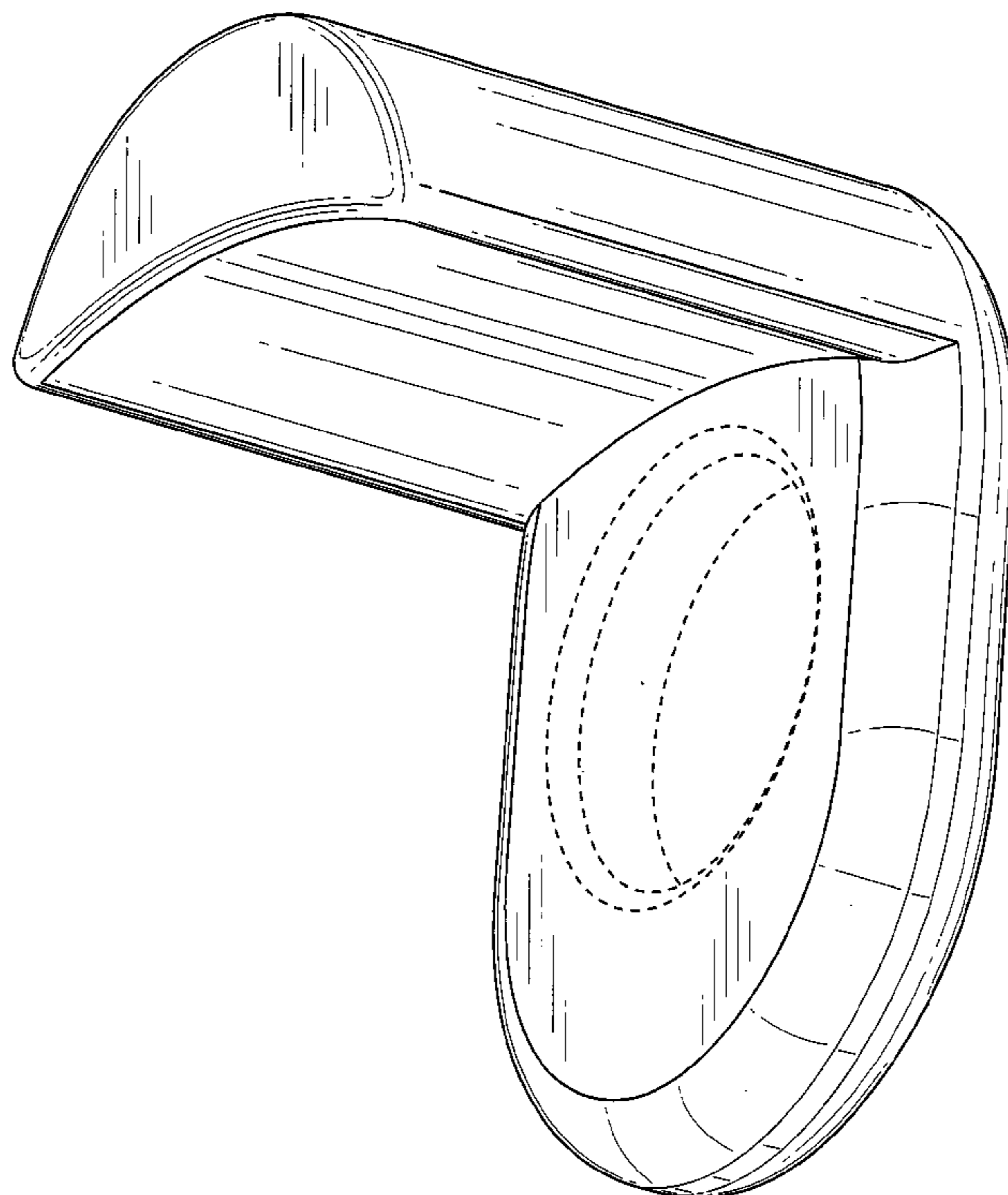
(57) **CLAIM**

The ornamental design for a belt holding tool, as shown and described.

DESCRIPTION

FIG. 1 is a bottom, front, and right side perspective view of a belt holding tool;
 FIG. 2 is a top, rear, and right side perspective view thereof;
 FIG. 3 is a front view thereof;
 FIG. 4 is a rear view thereof;
 FIG. 5 is a right side view thereof, the left side view being a mirror image of the side view shown;
 FIG. 6 is top view thereof;
 FIG. 7 is a bottom view thereof;
 FIG. 8 is a bottom, front, and right side perspective view of a belt holding tool;
 FIG. 9 is a top, rear, and right side perspective view thereof;
 FIG. 10 is a front view thereof;
 FIG. 11 is a rear view thereof;
 FIG. 12 is a right side view thereof, the left side view being a mirror image of the side view shown;
 FIG. 13 is top view thereof; and,
 FIG. 14 is a bottom view thereof.
 The broken lines are included for the purpose of illustrating portions of the belt holding tool that form no part of the claimed design.

1 Claim, 14 Drawing Sheets



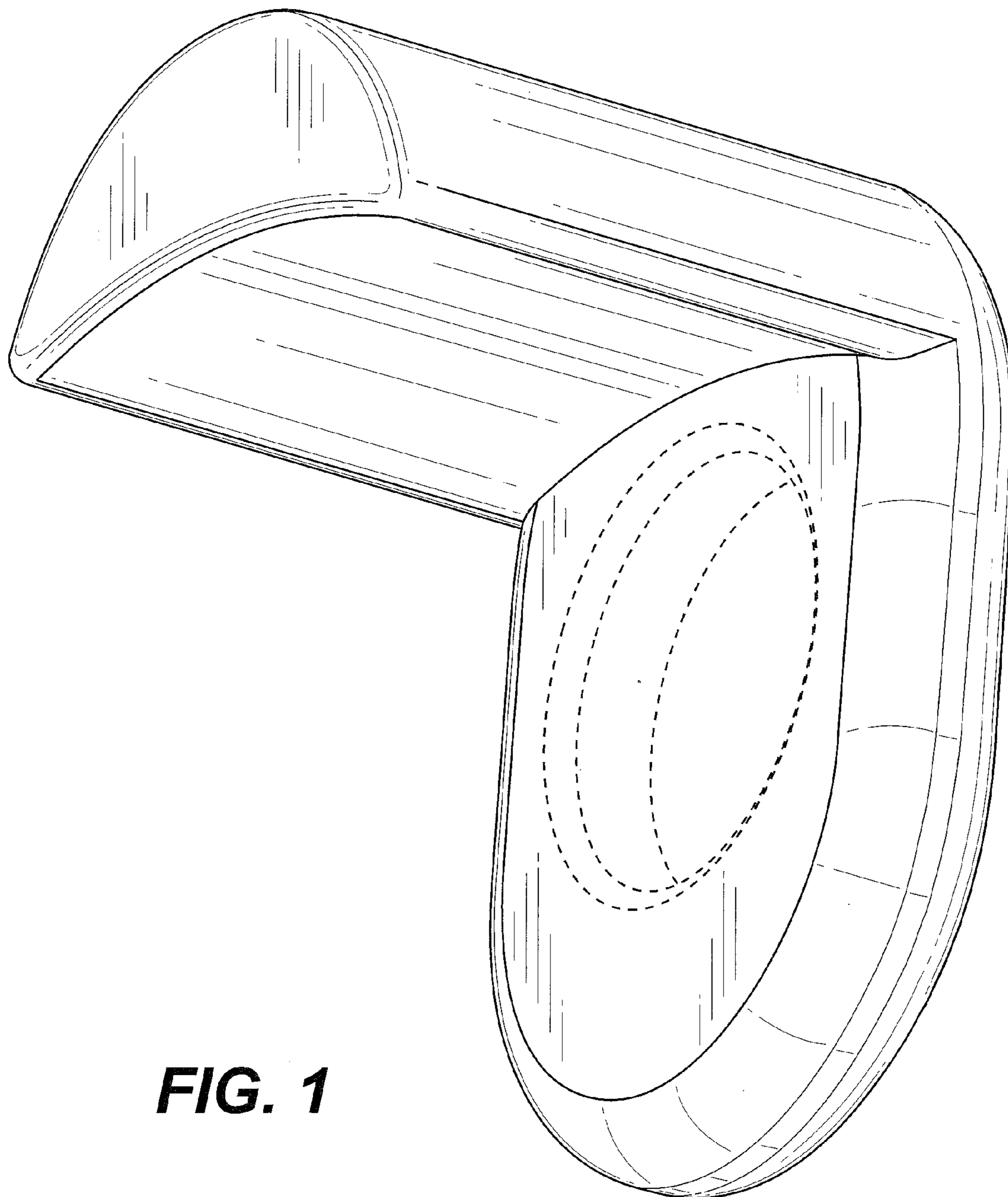


FIG. 1

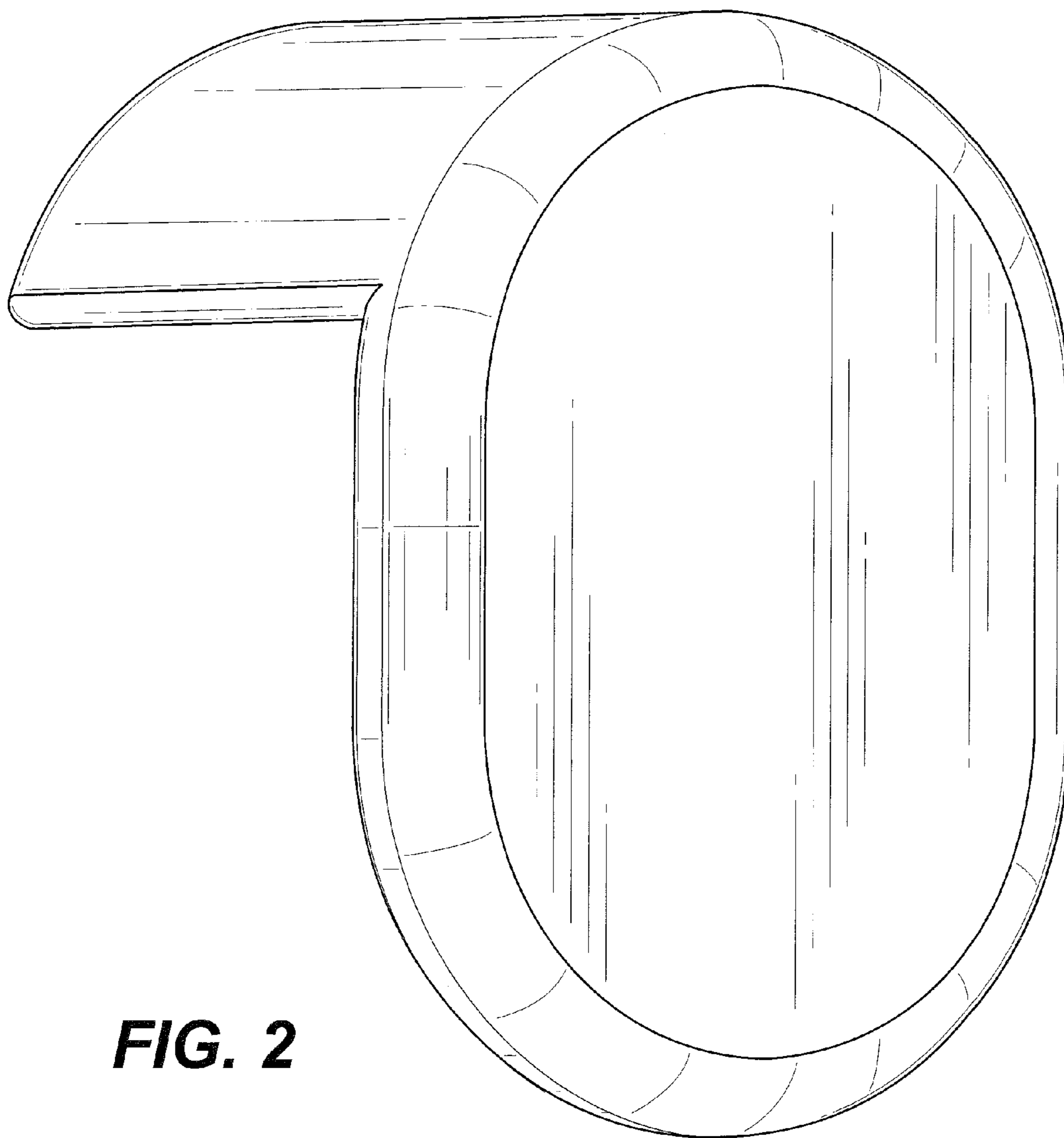


FIG. 2

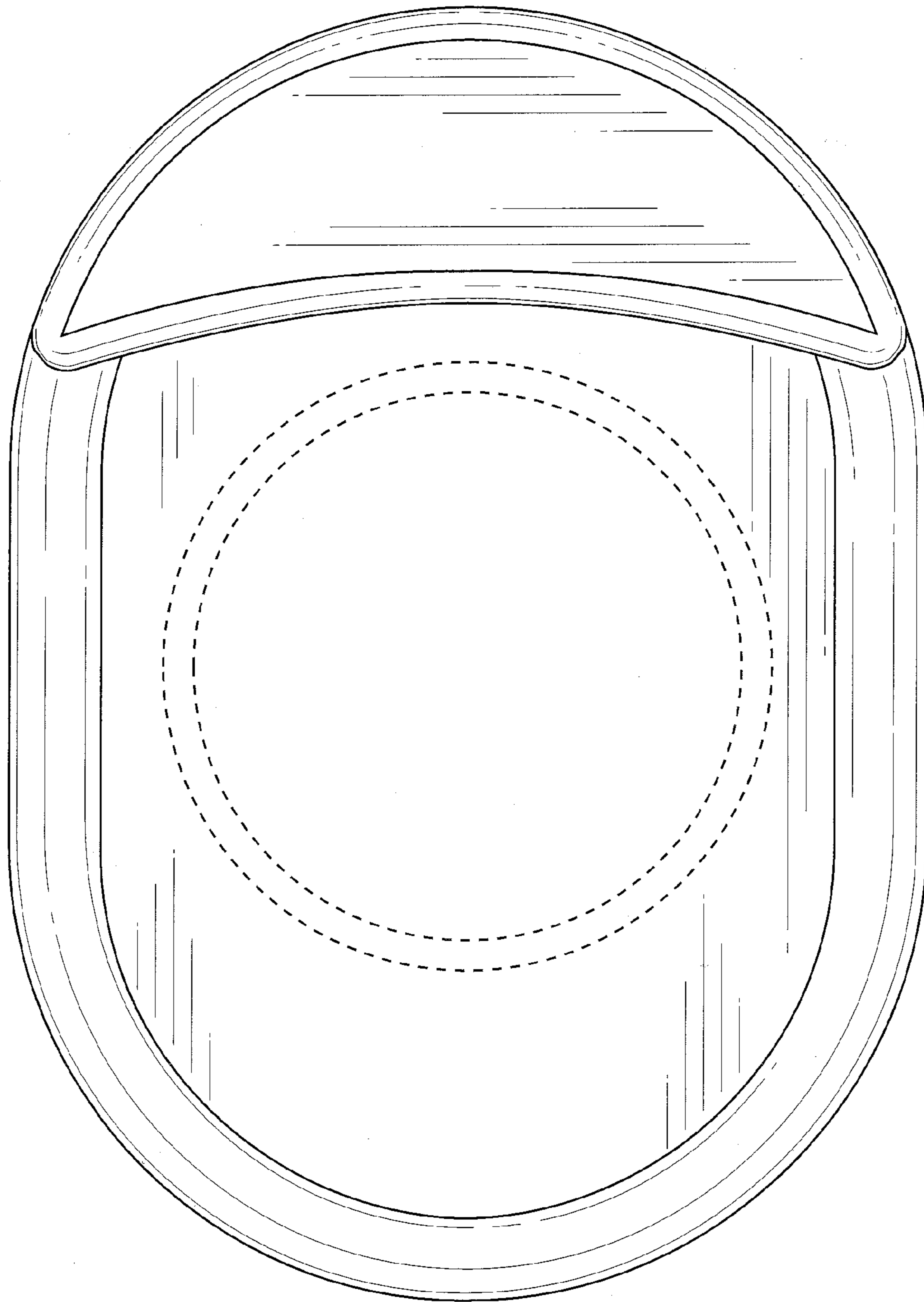


FIG. 3

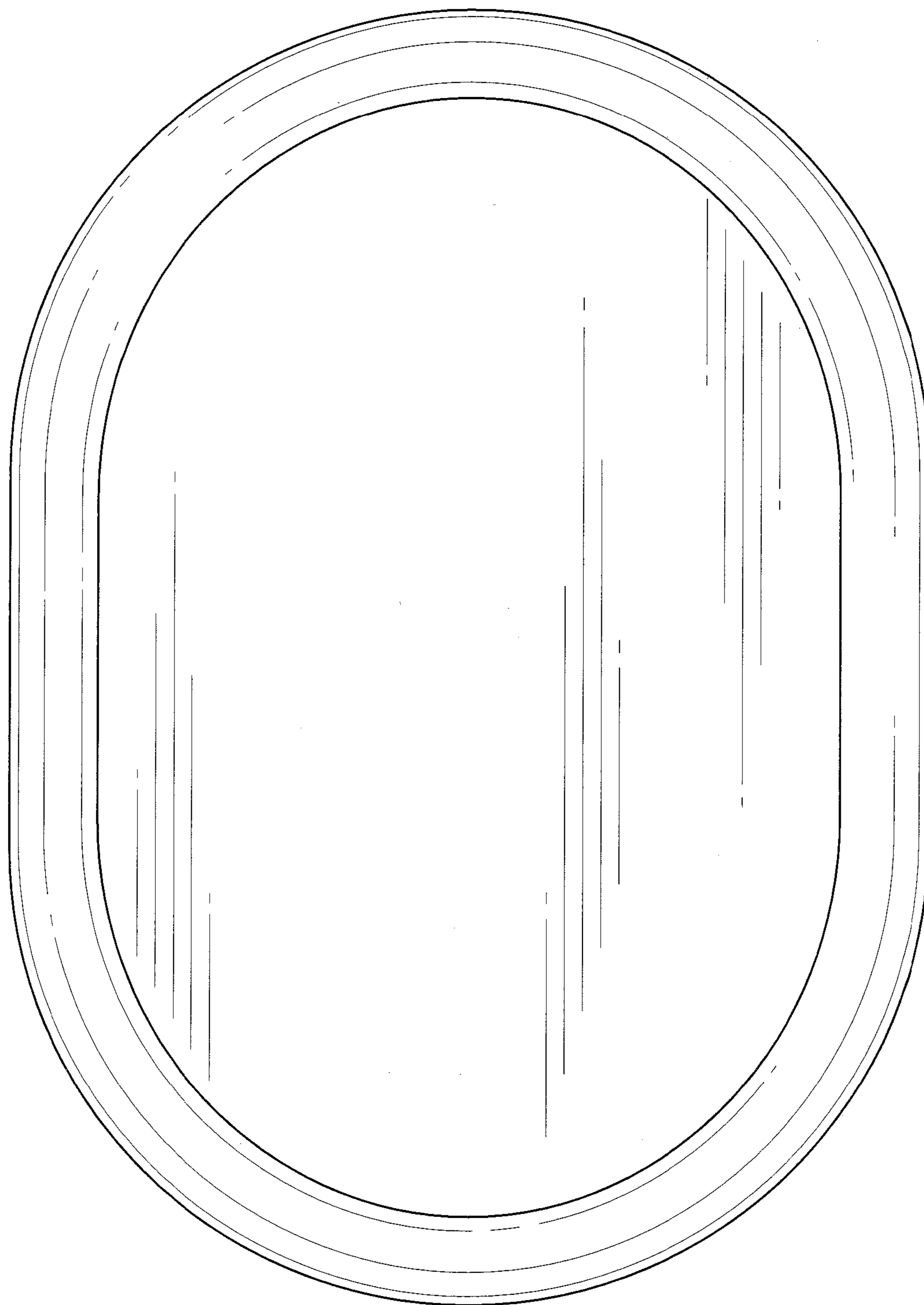


FIG. 4

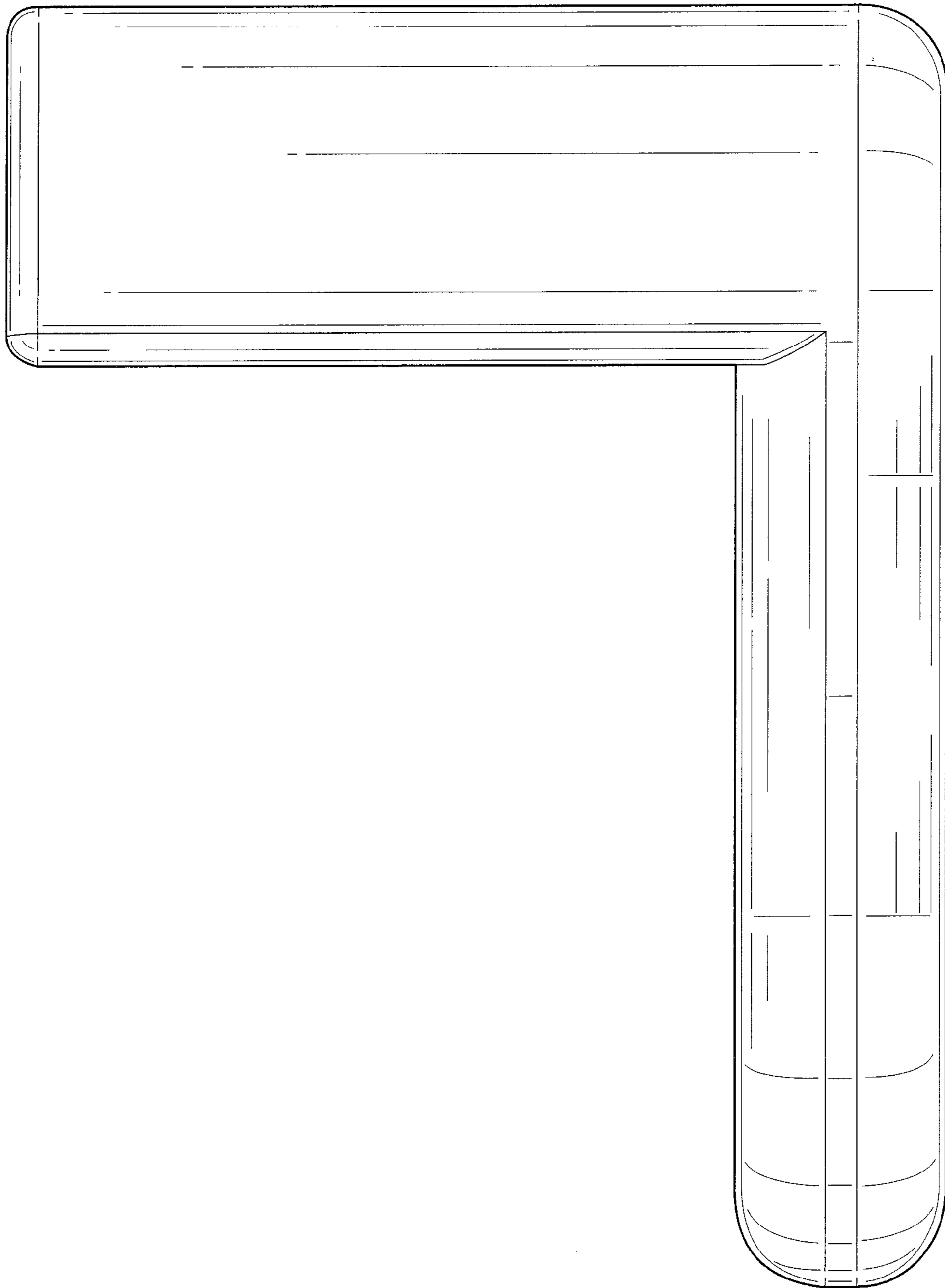


FIG. 5

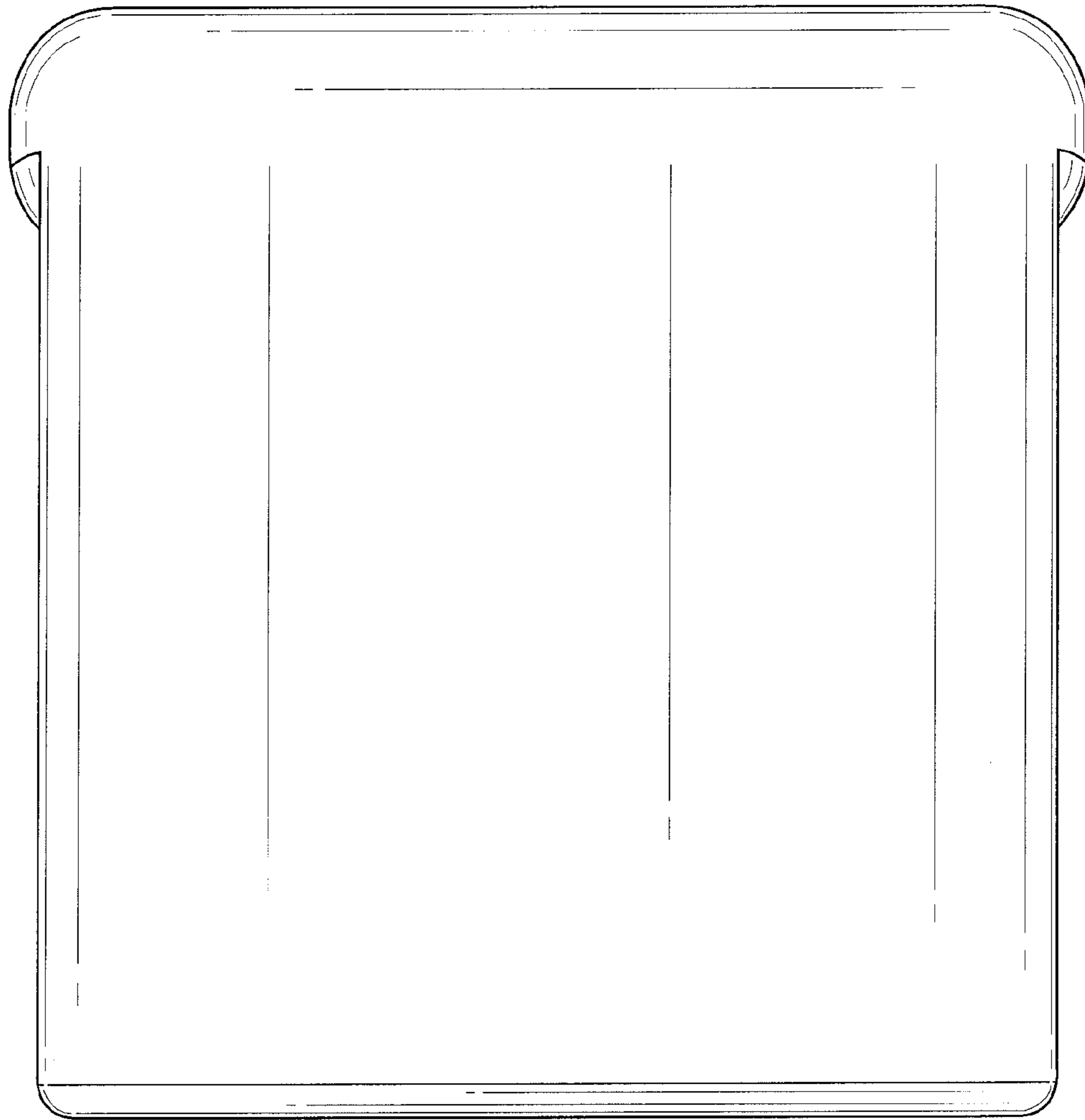


FIG. 6

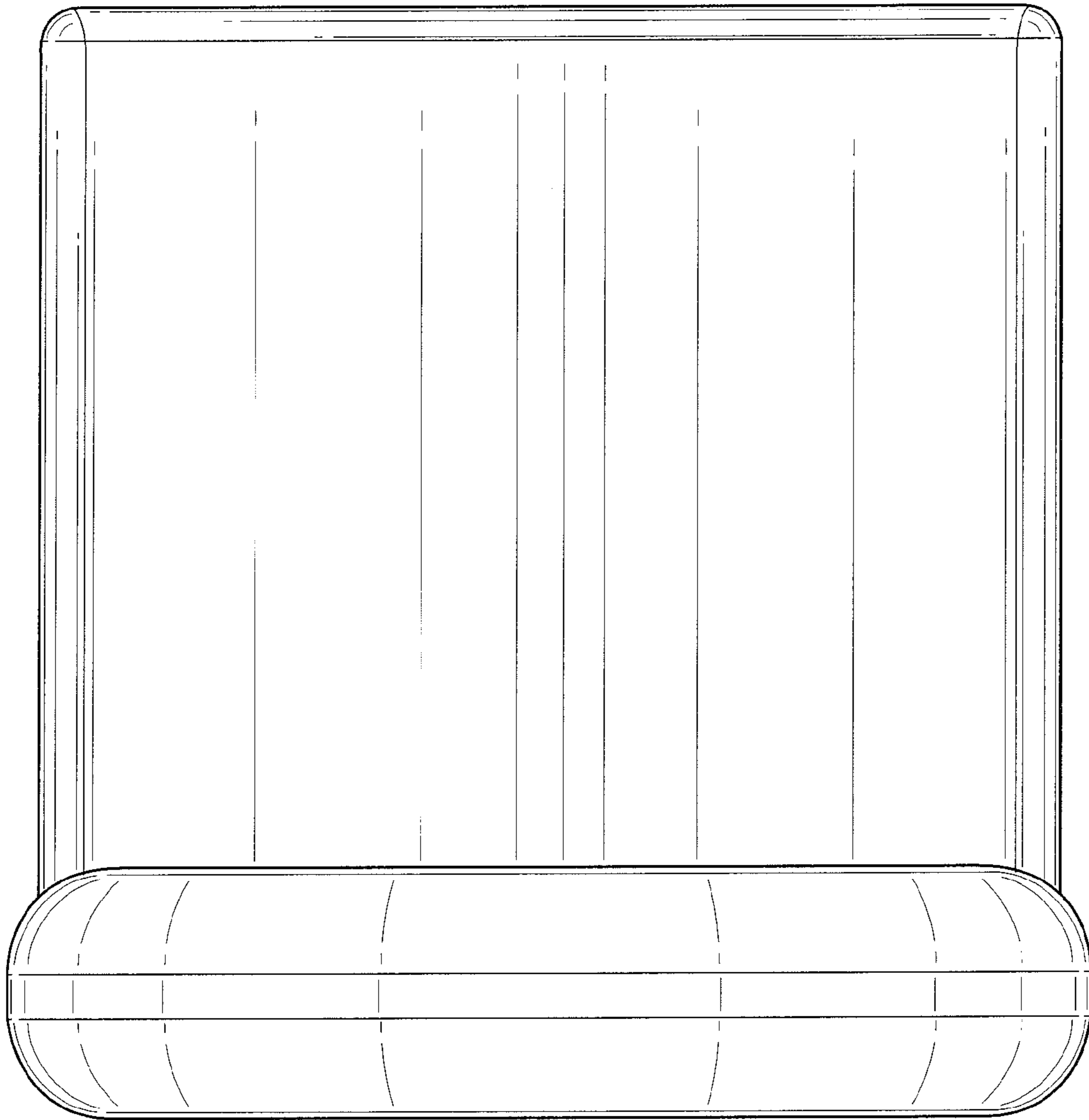


FIG. 7

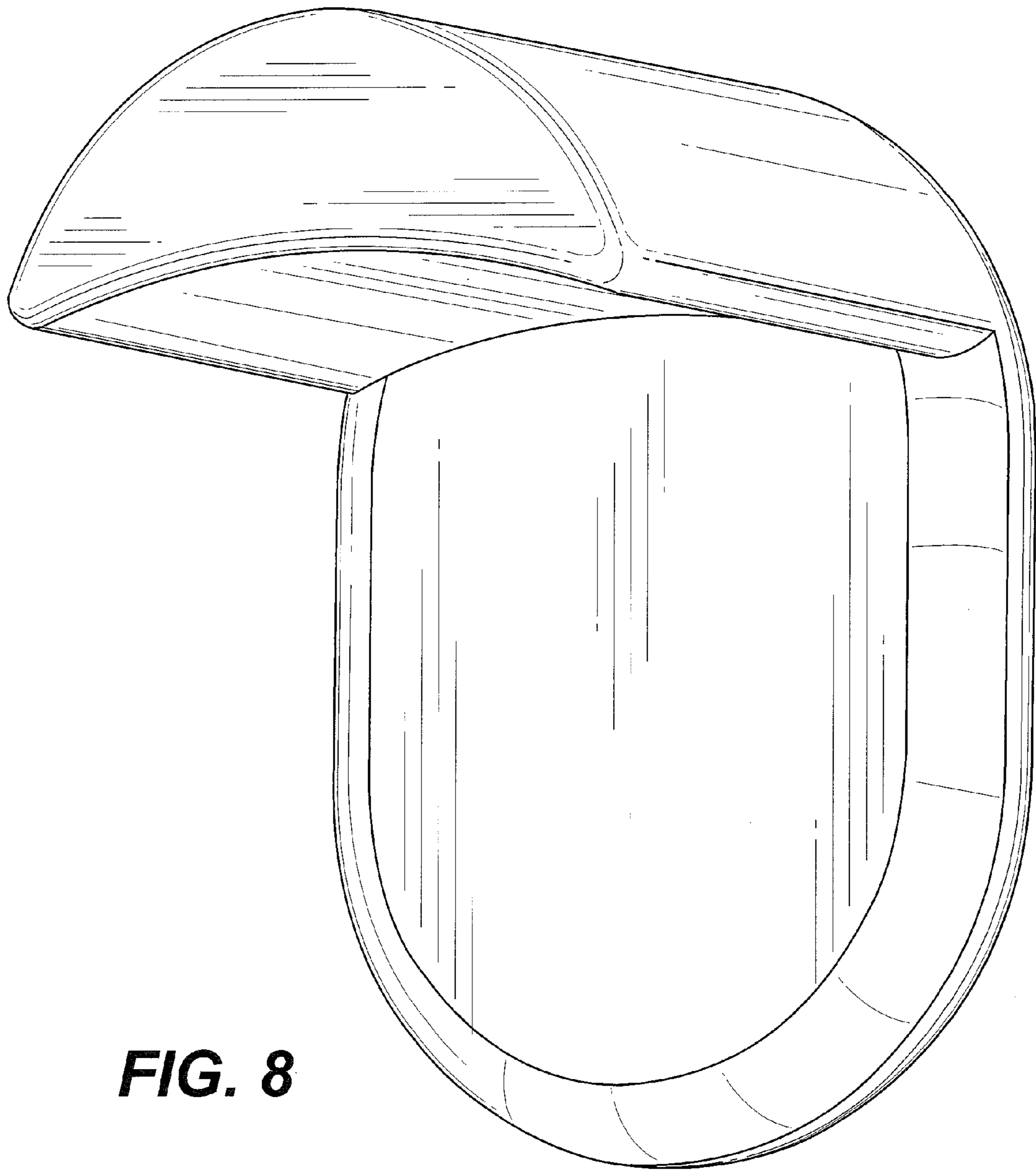


FIG. 8

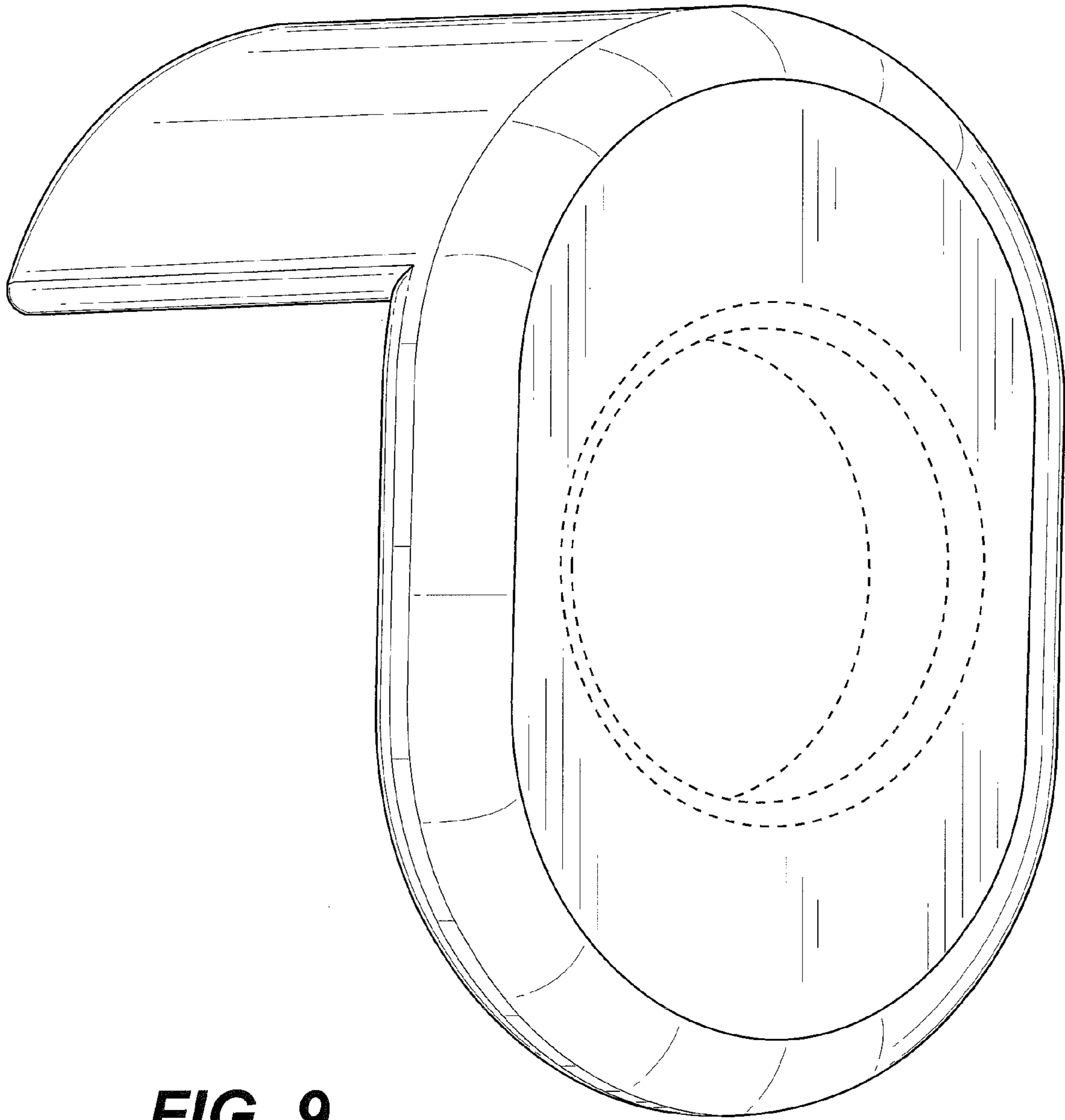


FIG. 9

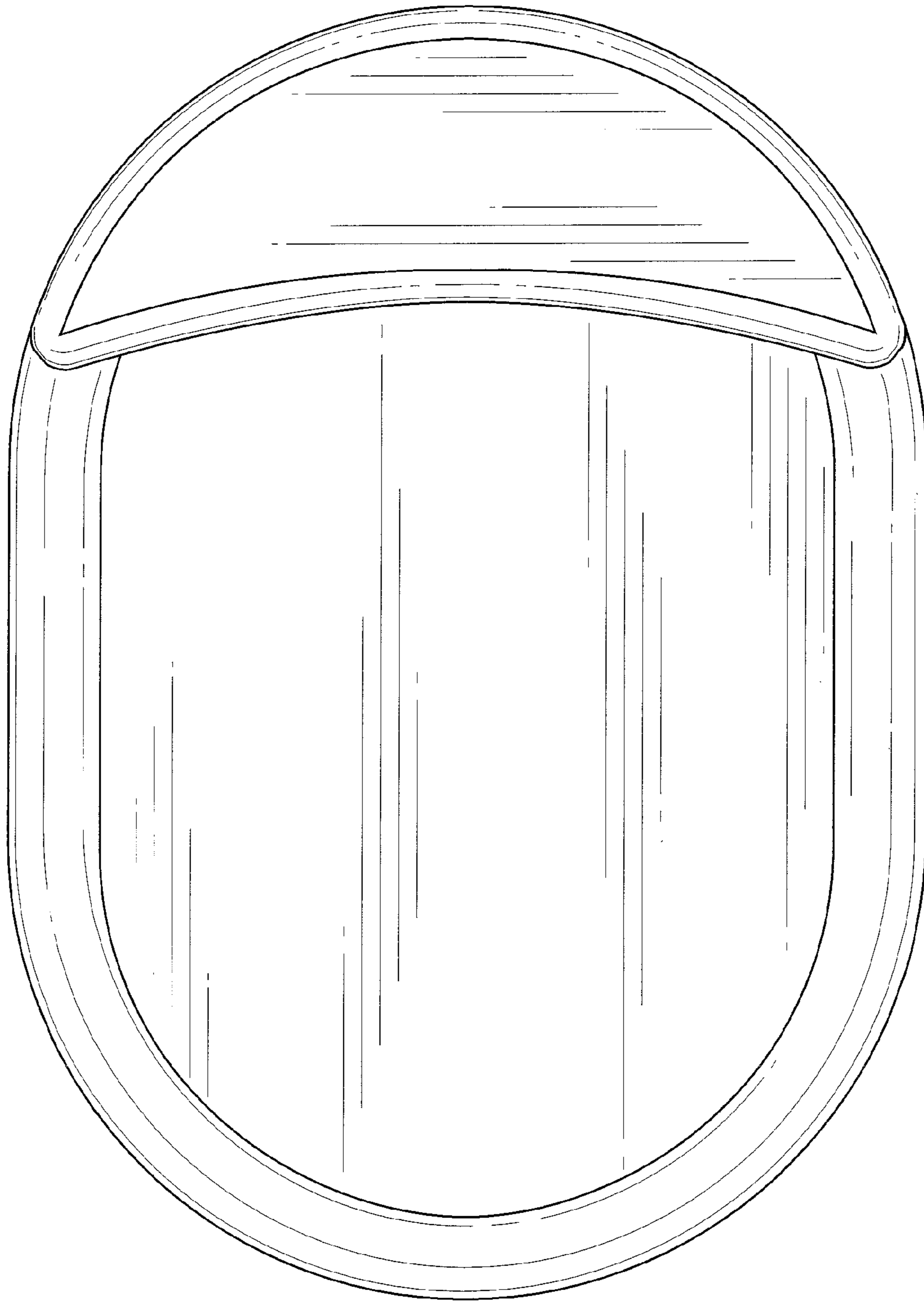


FIG. 10

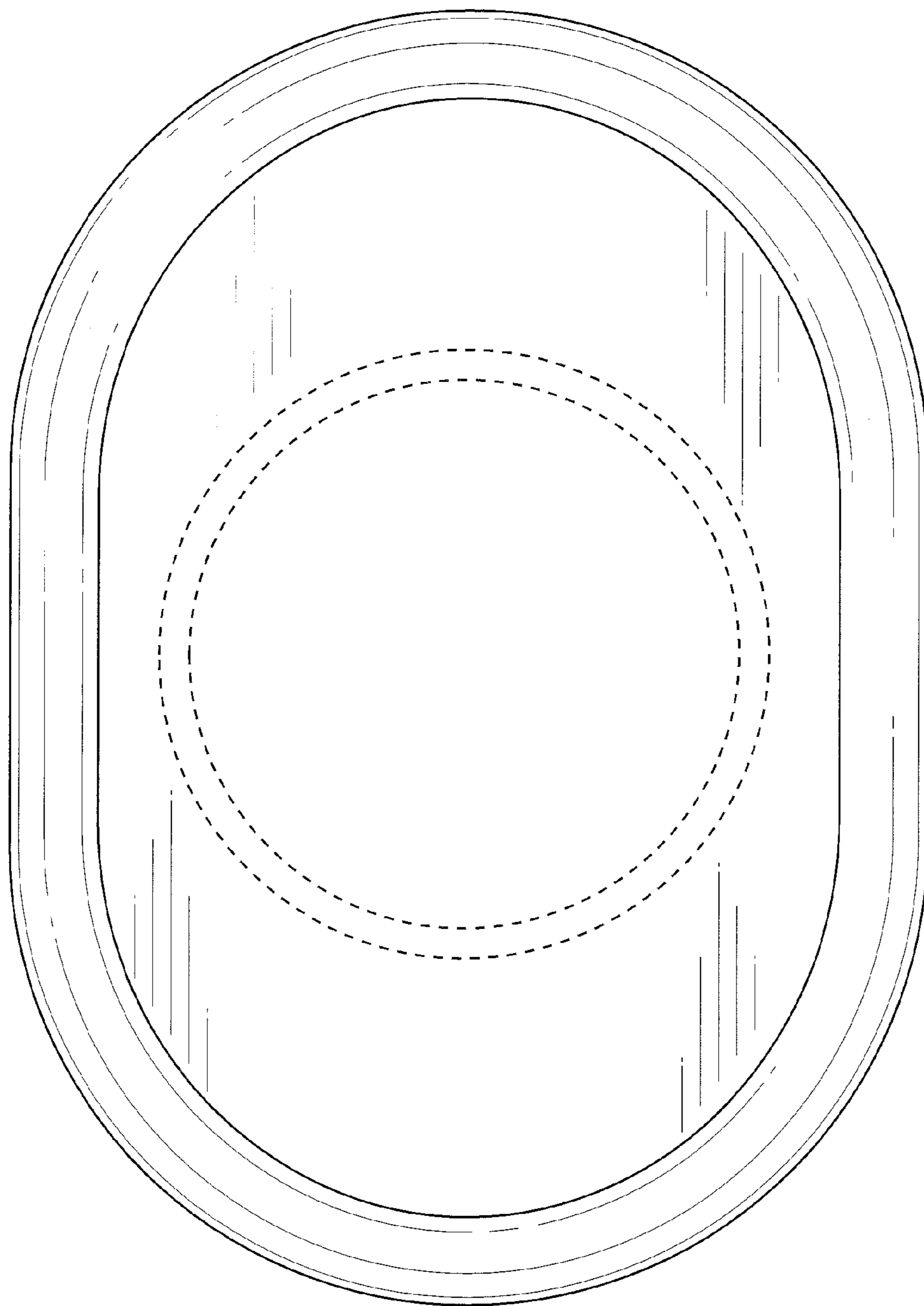


FIG. 11

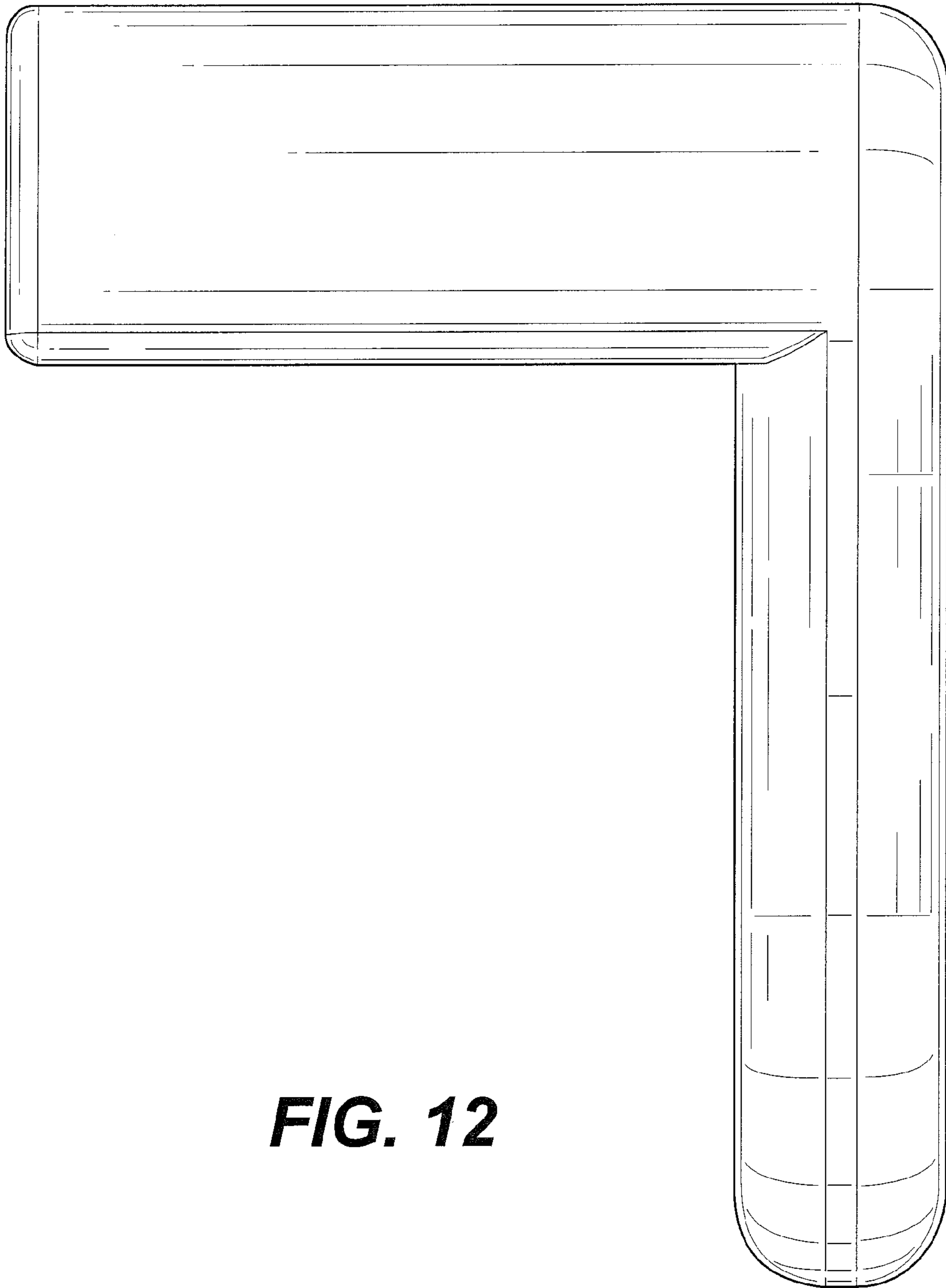


FIG. 12

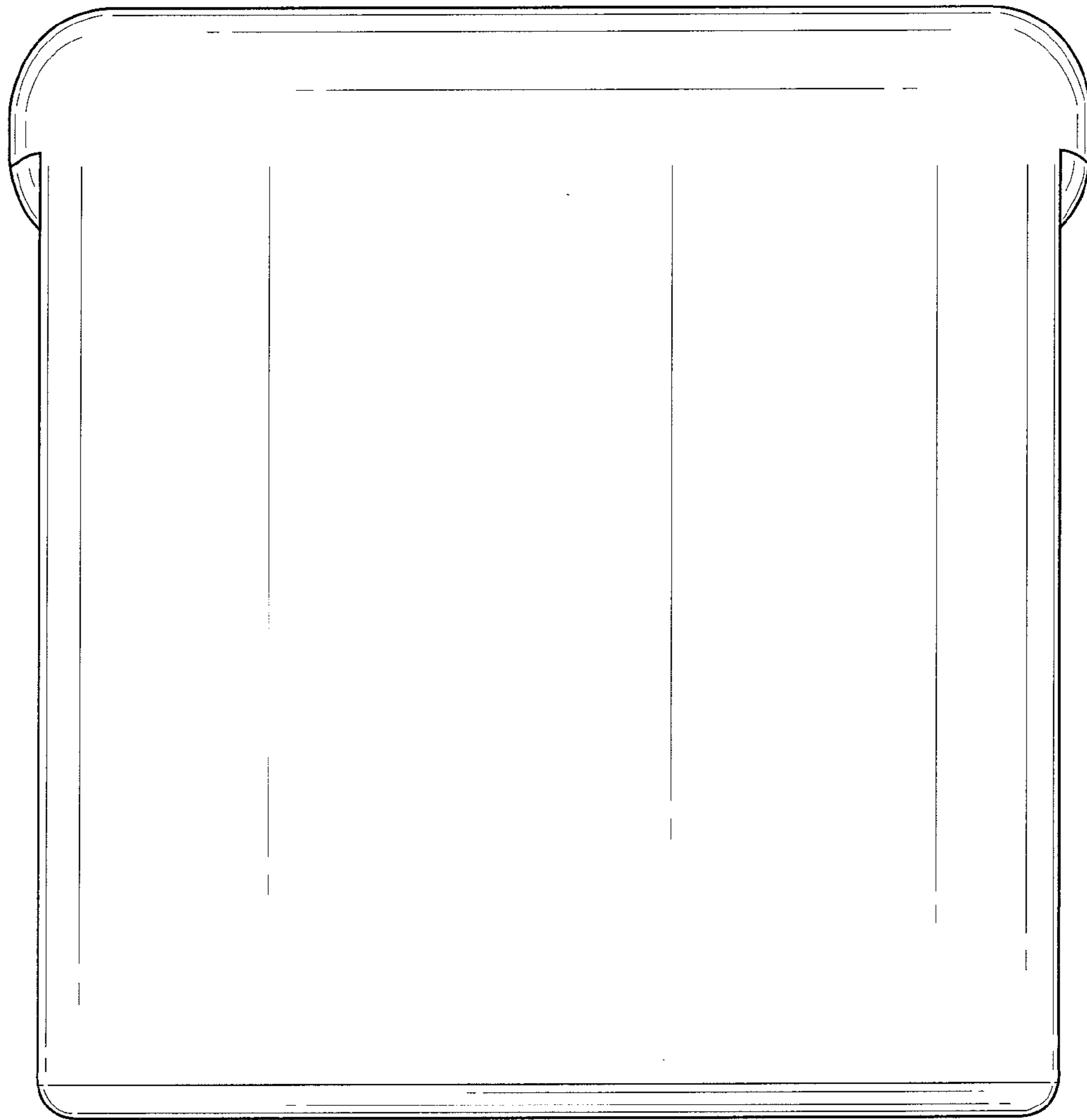


FIG. 13

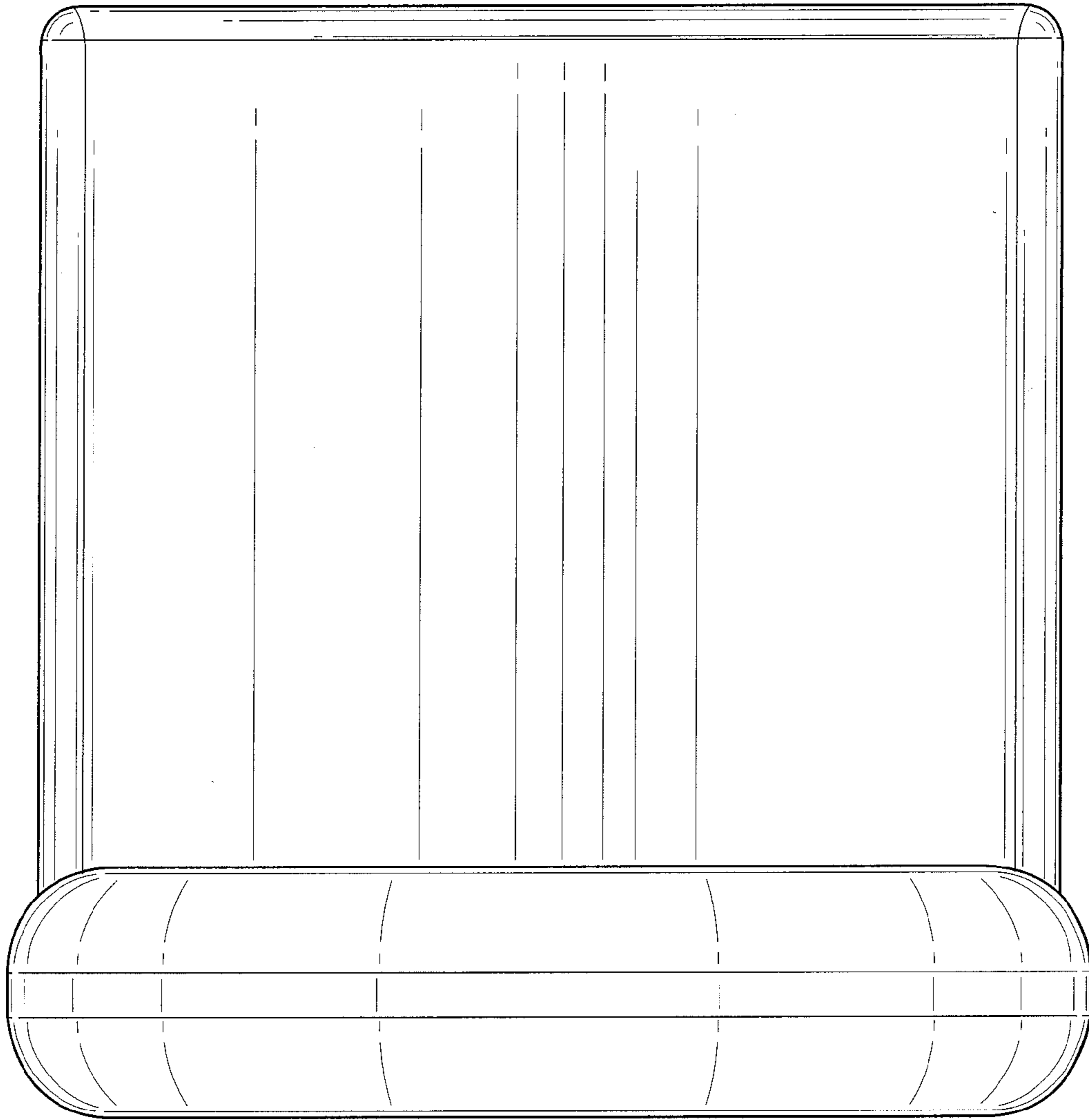


FIG. 14