



US00D665430S

(12) **United States Design Patent**
Sorensen

(10) **Patent No.:** **US D665,430 S**

(45) **Date of Patent:** **** *Aug. 14, 2012**

(54) **RE-FREEZABLE ICE GEL PACK**

(76) Inventor: **Casey Sorensen**, Sylvan Lake (CA)

(*) Notice: This patent is subject to a terminal disclaimer.

(**) Term: **14 Years**

(21) Appl. No.: **29/384,342**

(22) Filed: **Jan. 30, 2011**

(51) **LOC (9) Cl.** **15-07**

(52) **U.S. Cl.** **D15/90**

(58) **Field of Classification Search** D15/79,
D15/89, 90; 249/119, 127, 130, 70, 134;
62/3.6-3.64, 245-255; 312/116, 236, 400-408
See application file for complete search history.

(56) **References Cited**

U.S. PATENT DOCUMENTS

D88,226 S *	11/1932	Gold	D15/90
D107,317 S *	12/1937	Murguiondo	D15/90
2,756,567 A *	7/1956	Martin	D15/90
D179,060 S *	10/1956	Bliss	D15/90

D271,769 S *	12/1983	Daenen et al.	D15/90
D415,505 S *	10/1999	Myers	D15/90
D444,480 S *	7/2001	Shultz et al.	D15/90
D532,428 S *	11/2006	Chaudhary	D15/79
D636,412 S *	4/2011	Misse	D15/90

* cited by examiner

Primary Examiner — Mitchell Siegel

(74) *Attorney, Agent, or Firm* — Sander Gelsing

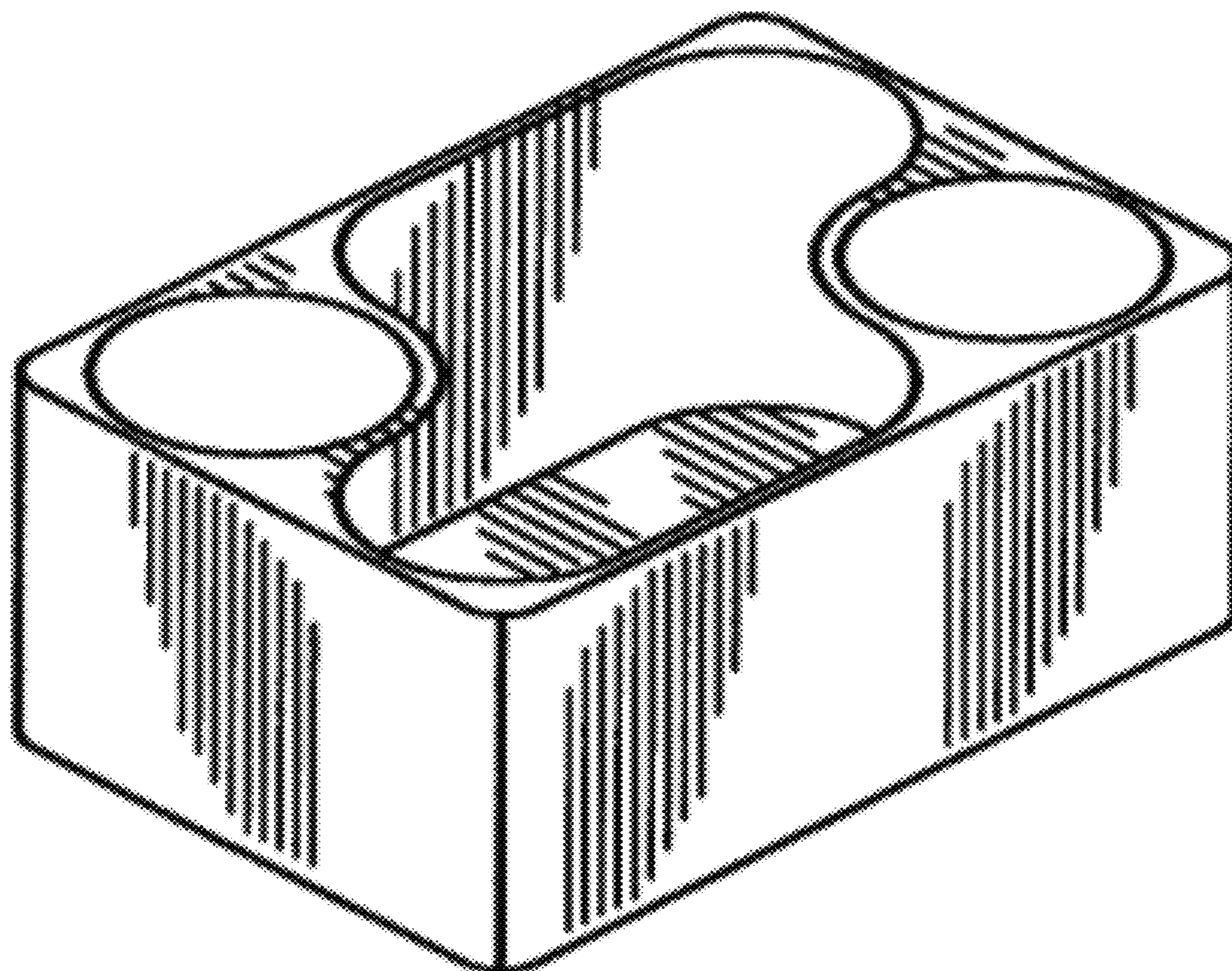
(57) **CLAIM**

The ornamental design for a re-freezable ice gel pack, as shown and described.

DESCRIPTION

FIG. 1 is a perspective view of the embodiment of the re-freezable ice gel pack;
FIG. 2 is a top view of the re-freezable ice gel pack;
FIG. 3 is a bottom view of the re-freezable ice gel pack;
FIG. 4 is a left side view of the re-freezable ice gel pack;
FIG. 5 is a right side view of the re-freezable ice gel pack;
FIG. 6 is a front view of the re-freezable ice gel pack; and,
FIG. 7 is a rear view of the re-freezable ice gel pack.

1 Claim, 2 Drawing Sheets



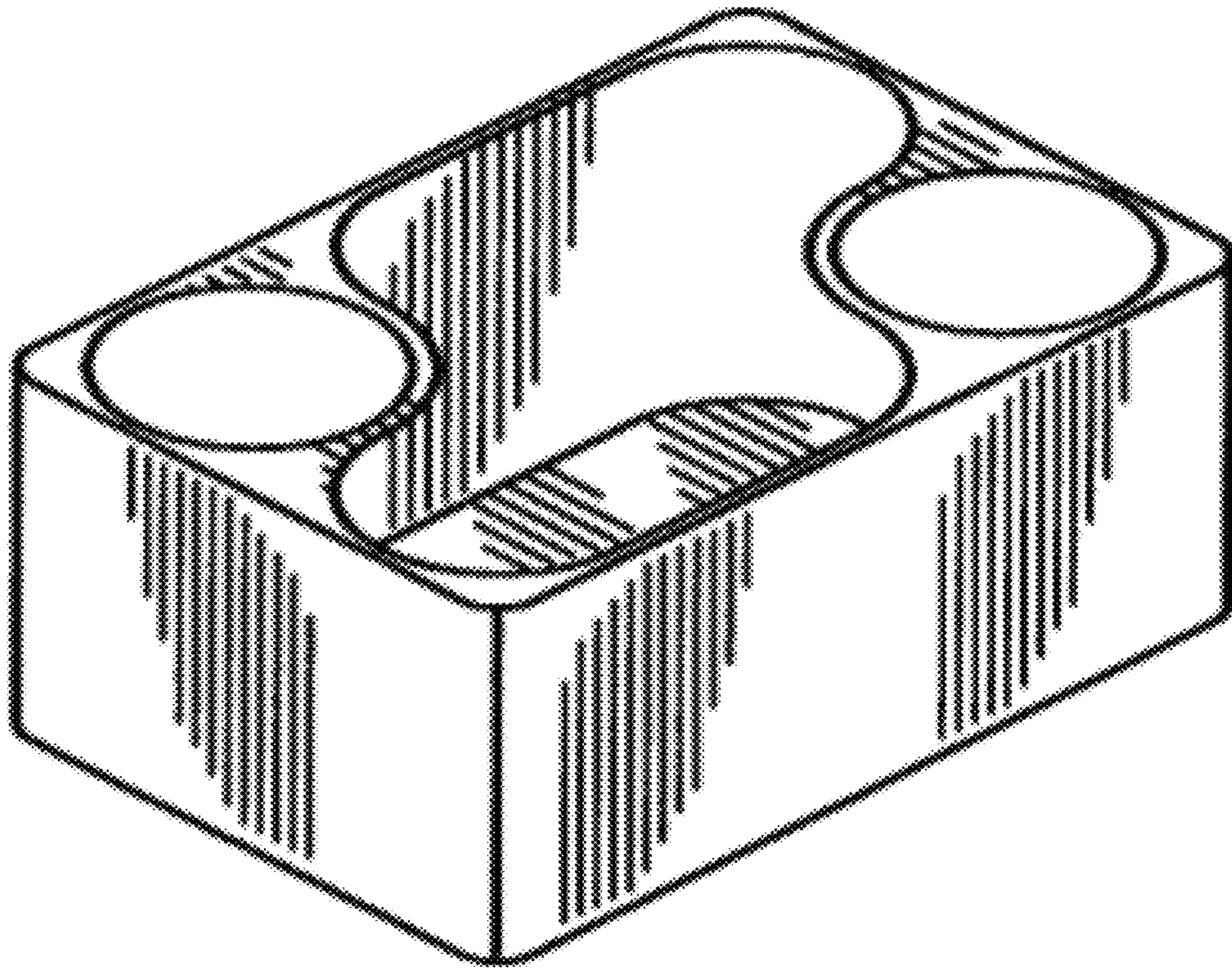


Fig. 1

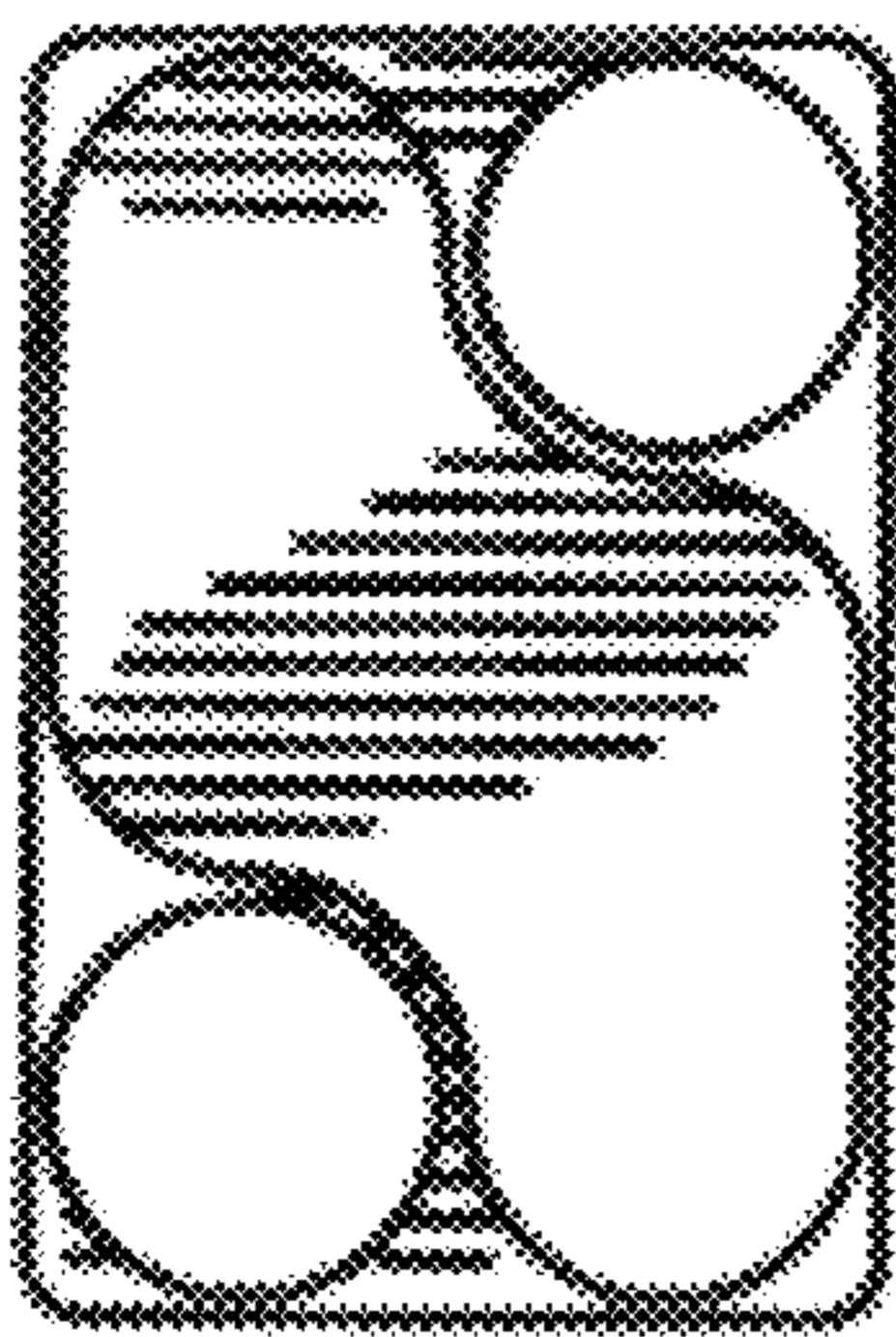


Fig. 2

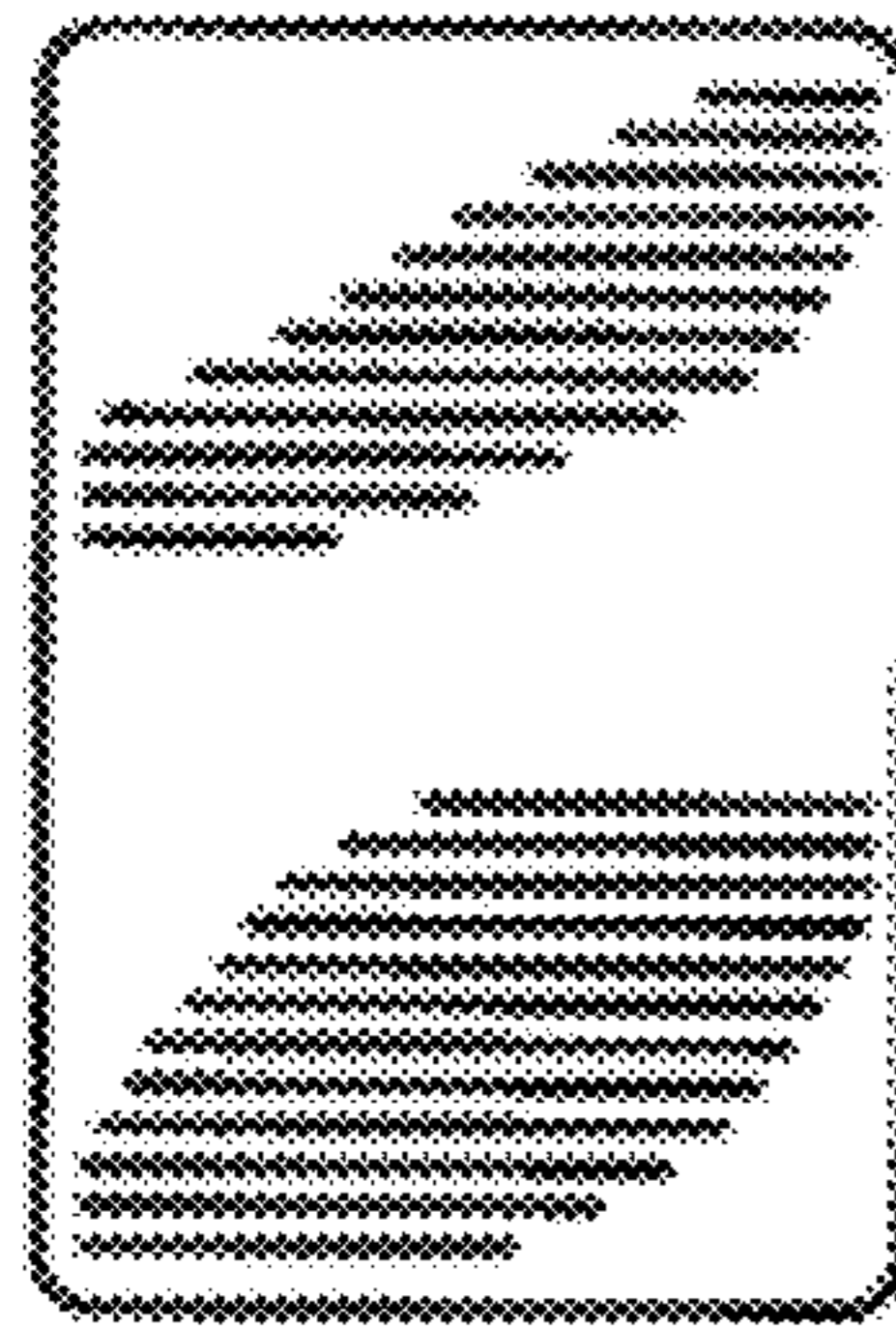


Fig. 3

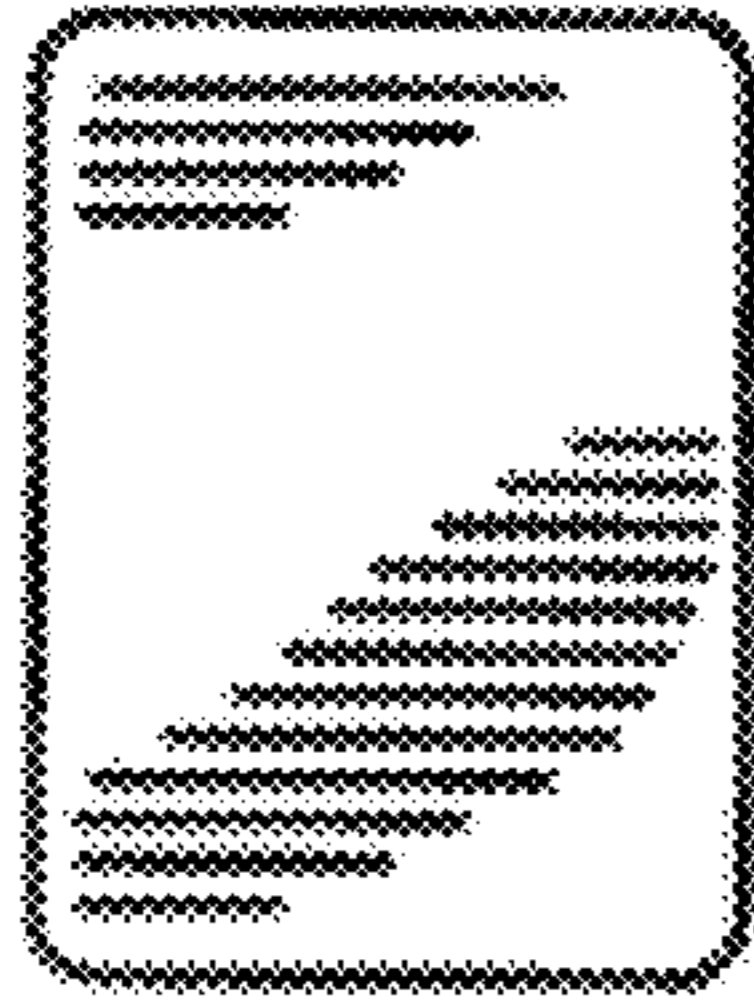


Fig. 4

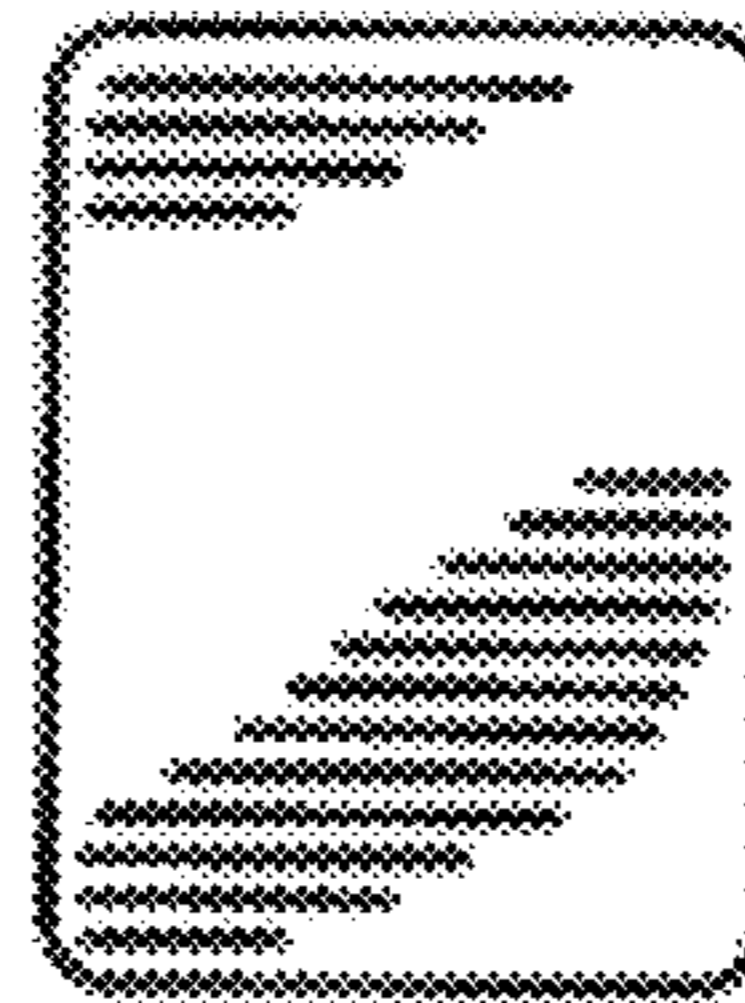


Fig. 5

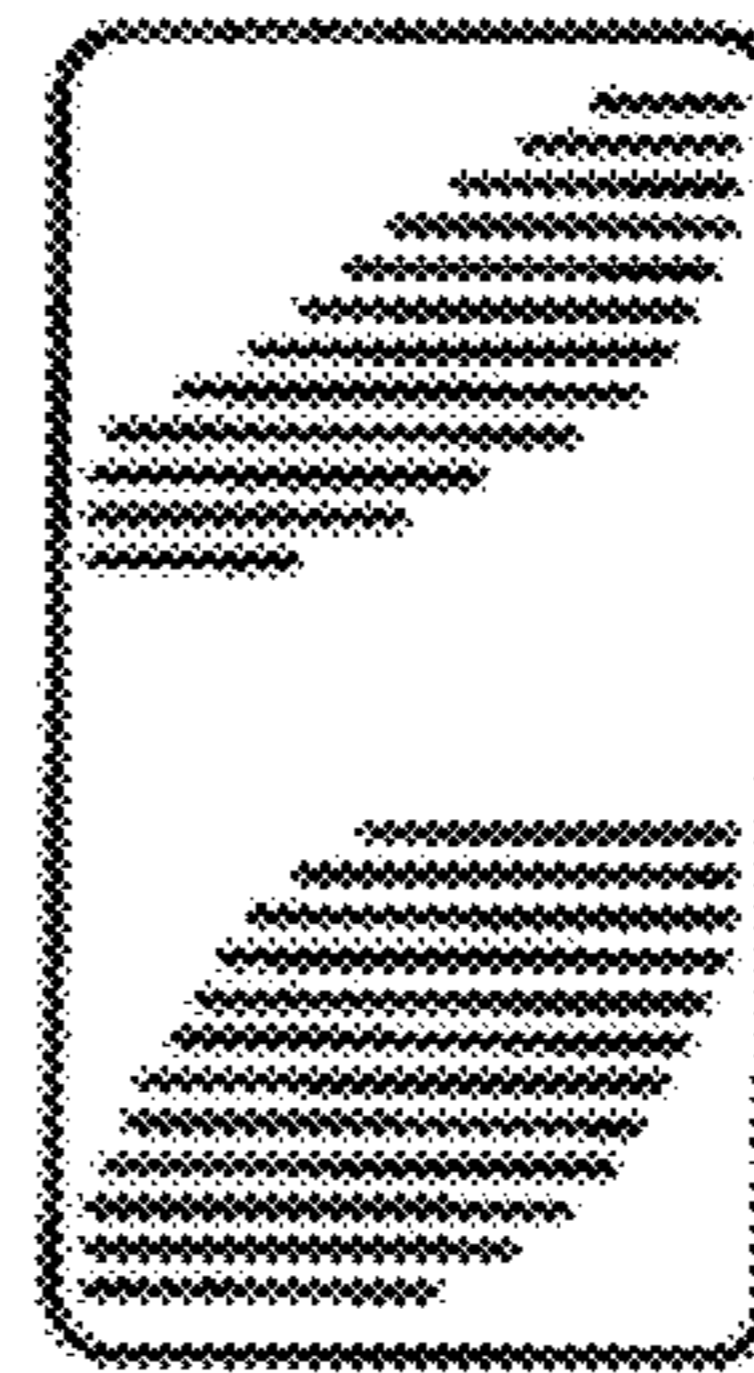


Fig. 6

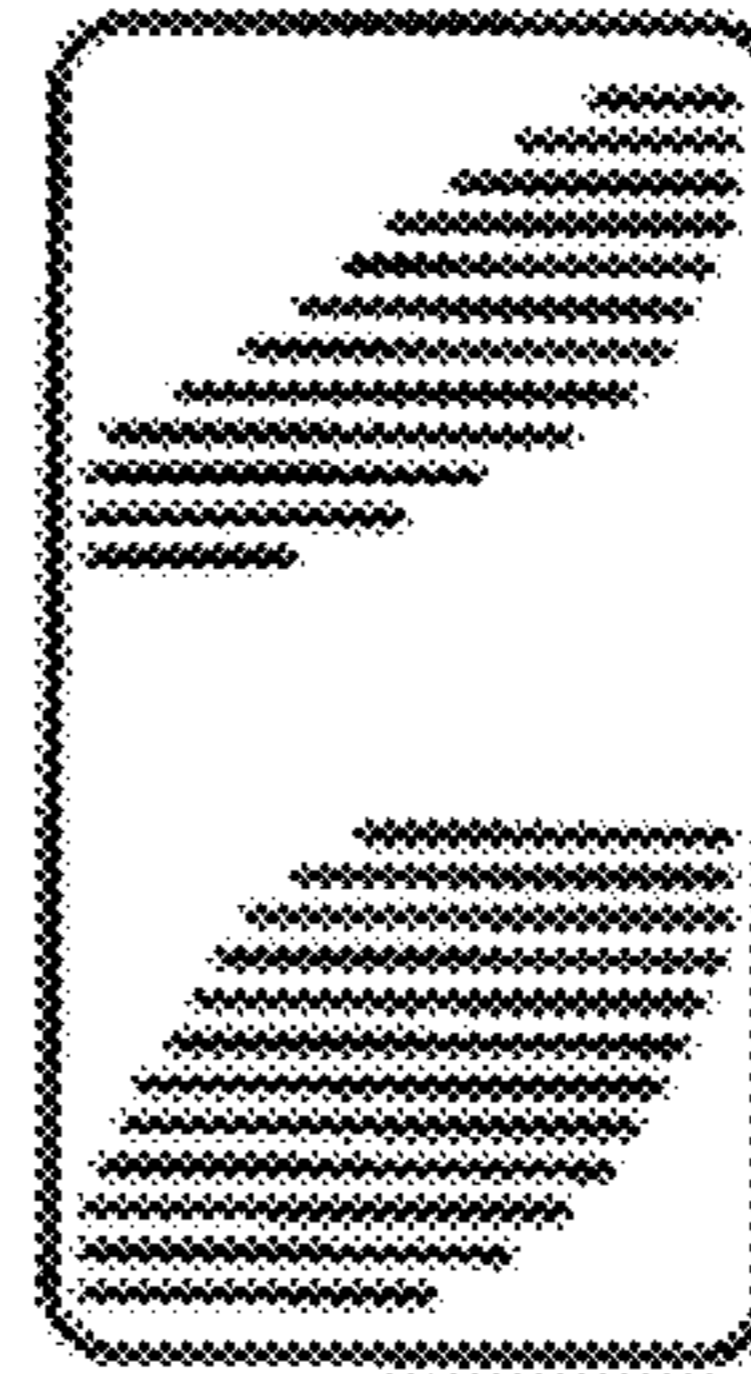


Fig. 7