



US00D665427S

(12) **United States Design Patent**
Inskeep

(10) **Patent No.:** **US D665,427 S**

(45) **Date of Patent:** **** Aug. 14, 2012**

(54) **INFLATOR**

(76) Inventor: **Mathew Inskeep**, Boca Raton, FL (US)

(**) Term: **14 Years**

(21) Appl. No.: **29/408,379**

(22) Filed: **Jan. 13, 2012**

(51) **LOC (9) Cl.** **15-02**

(52) **U.S. Cl.** **D15/9**

(58) **Field of Classification Search** D15/7-9;
D23/231, 232, 225; 417/60, 235, 265, 321,
417/355, 358, 363, 359, 410.1, 415-416,
417/405, 900; 60/408, 412; 184/26-37;
415/140-147; 123/495, 509

See application file for complete search history.

(56) **References Cited**

U.S. PATENT DOCUMENTS

D642,594 S * 8/2011 Mattson et al. D15/7
D644,252 S * 8/2011 Kojima D15/9

D648,353 S * 11/2011 Mattson et al. D15/7
D654,095 S * 2/2012 Mattson et al. D15/7
D656,962 S * 4/2012 Boldsen D15/7

* cited by examiner

Primary Examiner — Ralf Seifert

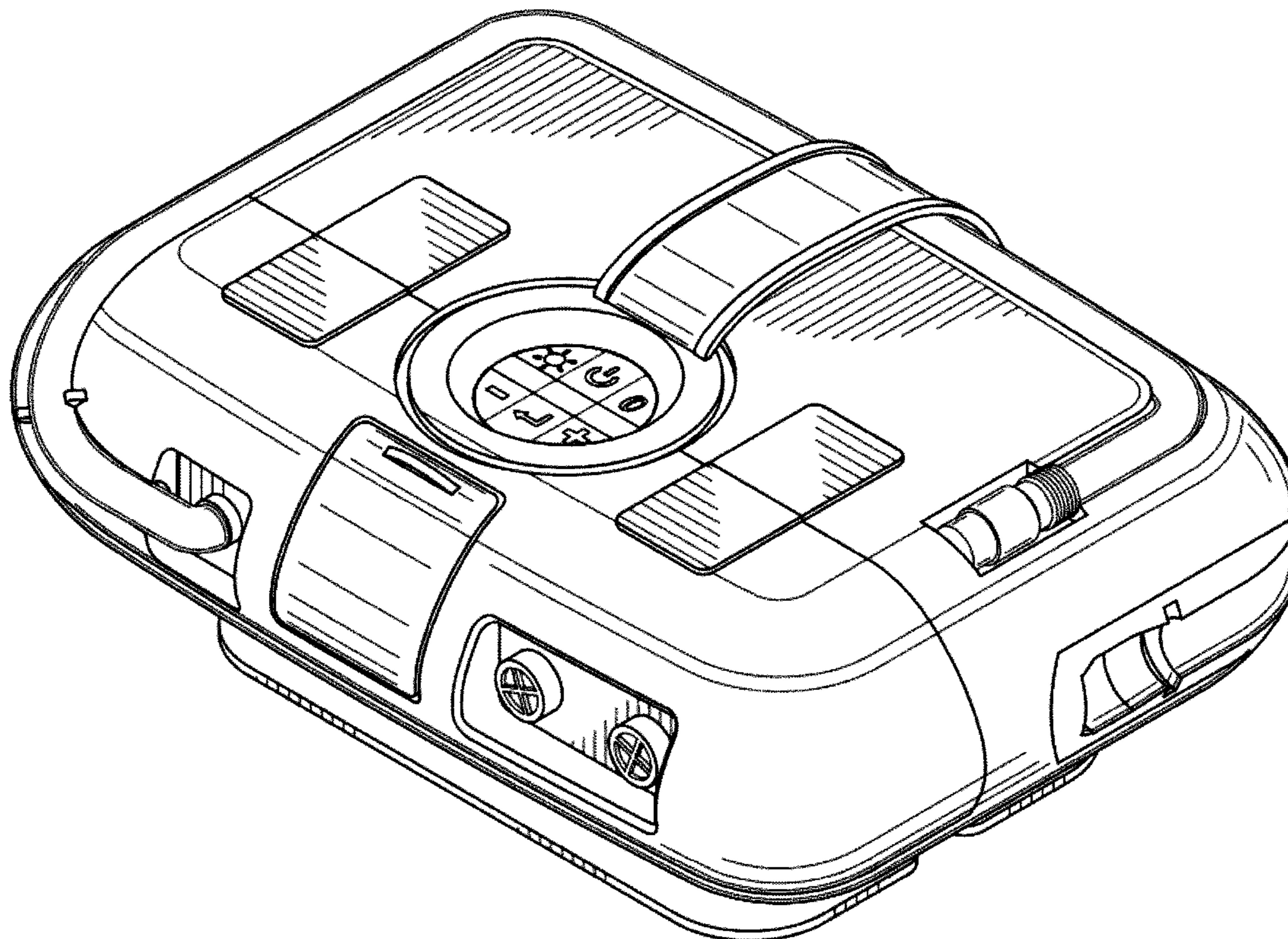
(57) **CLAIM**

I, Mathew Inskeep, claim the ornamental design for an inflator, as shown and described.

DESCRIPTION

FIG. 1 is a top perspective view of the inflator showing my new design.
FIG. 2 is a bottom perspective view.
FIG. 3 is a top view.
FIG. 4 is a bottom view.
FIG. 5 is right side view thereof.
FIG. 6 is a left side view thereof.
FIG. 7 is a front view thereof; and,
FIG. 8 is a back view thereof.

1 Claim, 8 Drawing Sheets



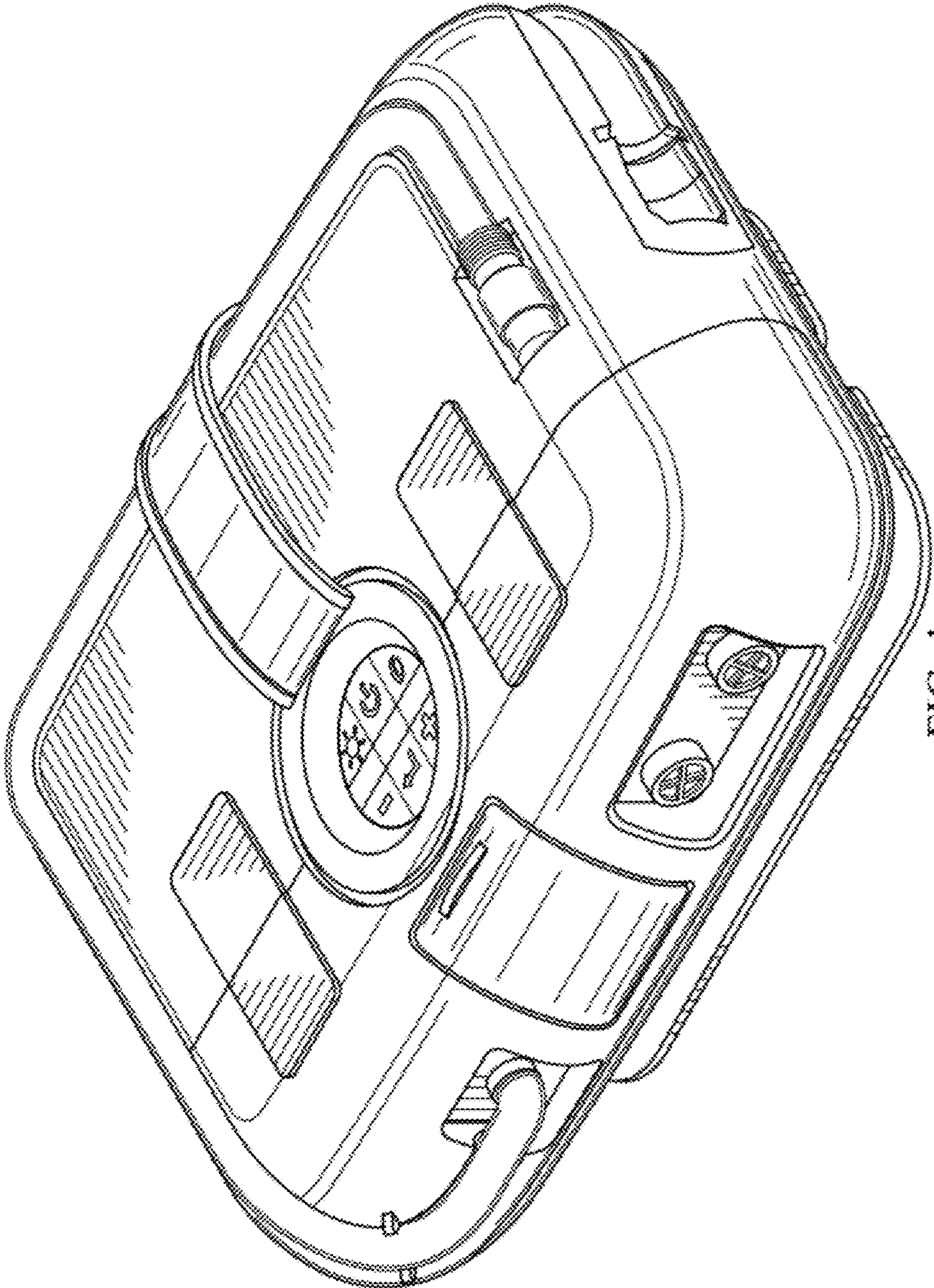


FIG. 1

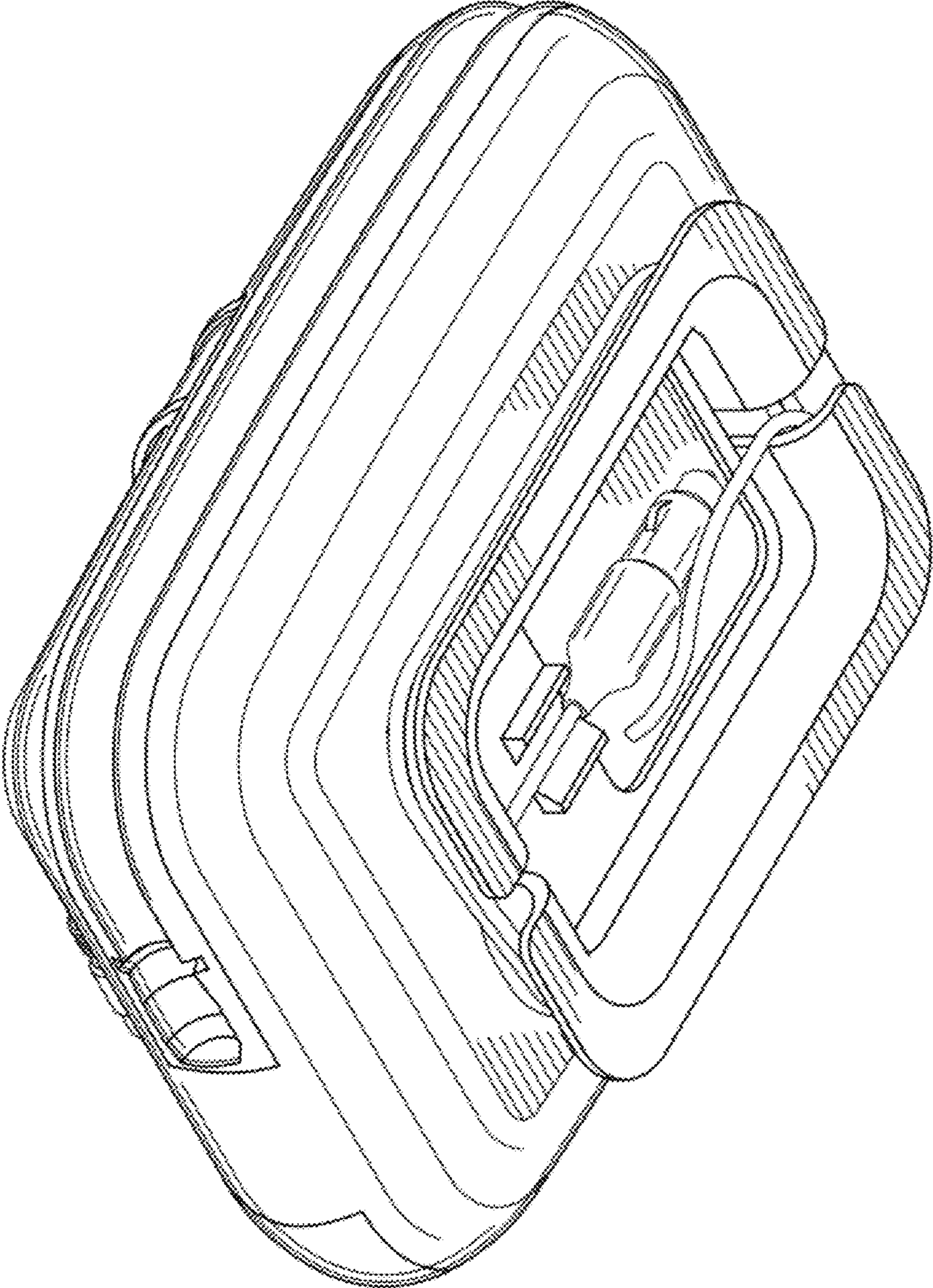


FIG. 2

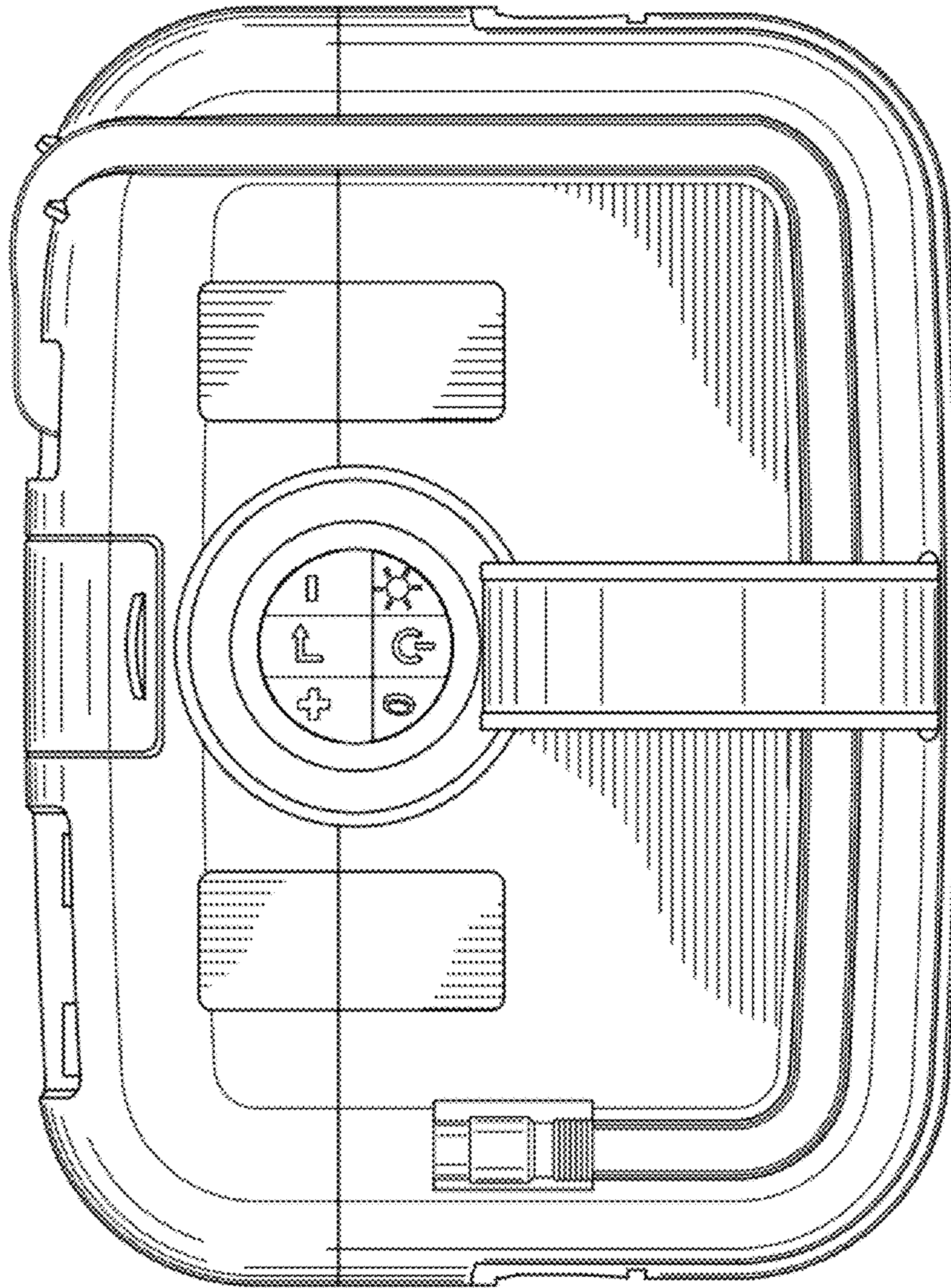


FIG. 3

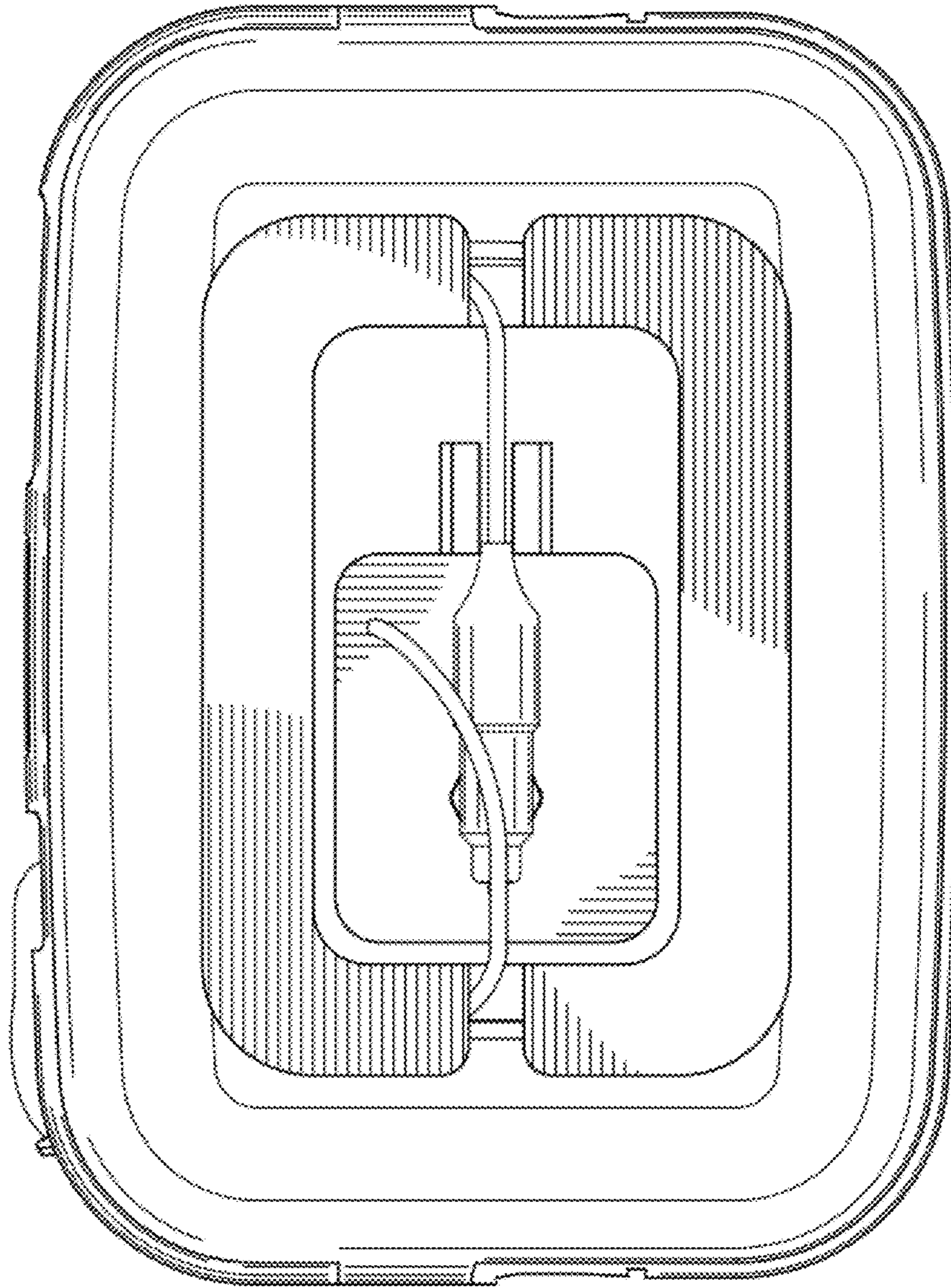


FIG. 4

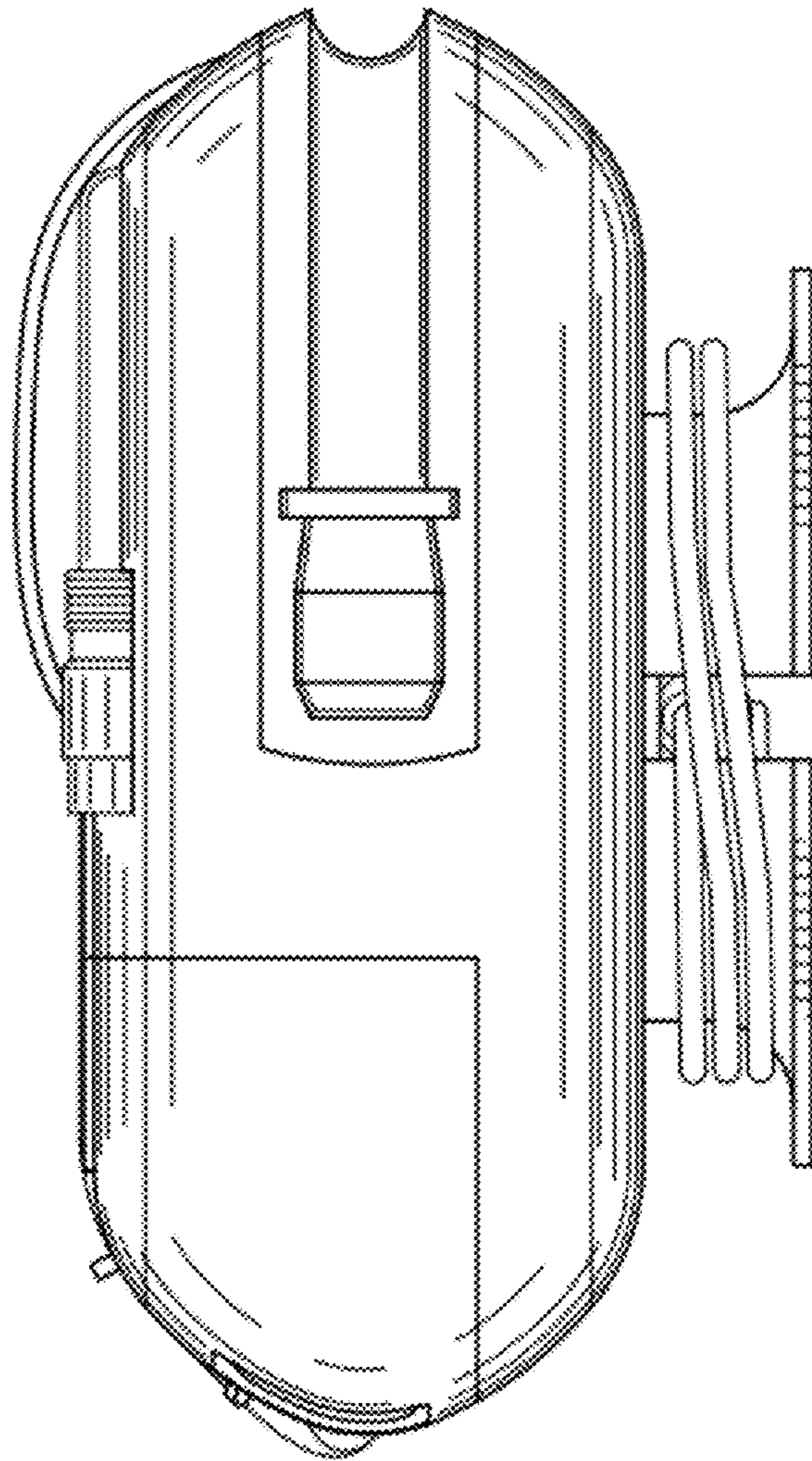


FIG. 5

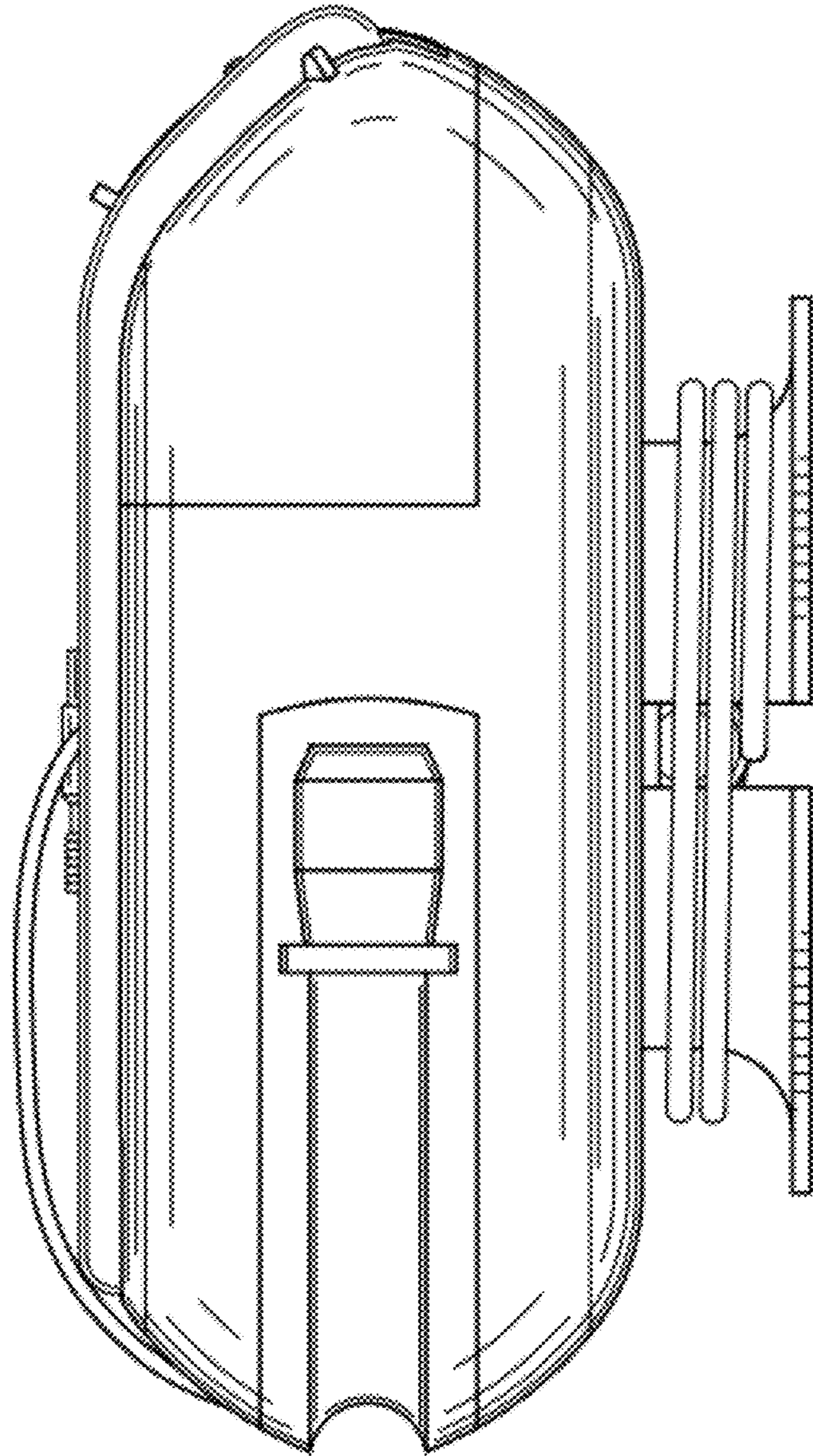


FIG. 6

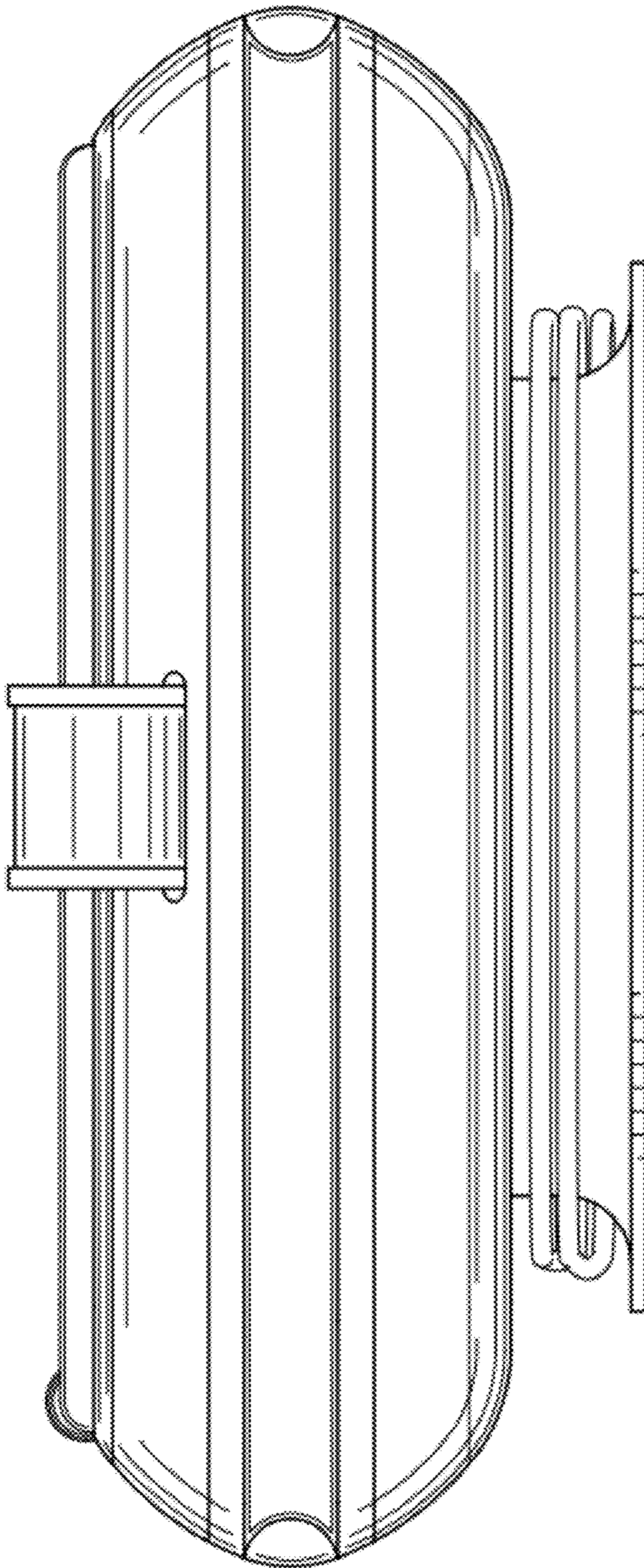


FIG. 7

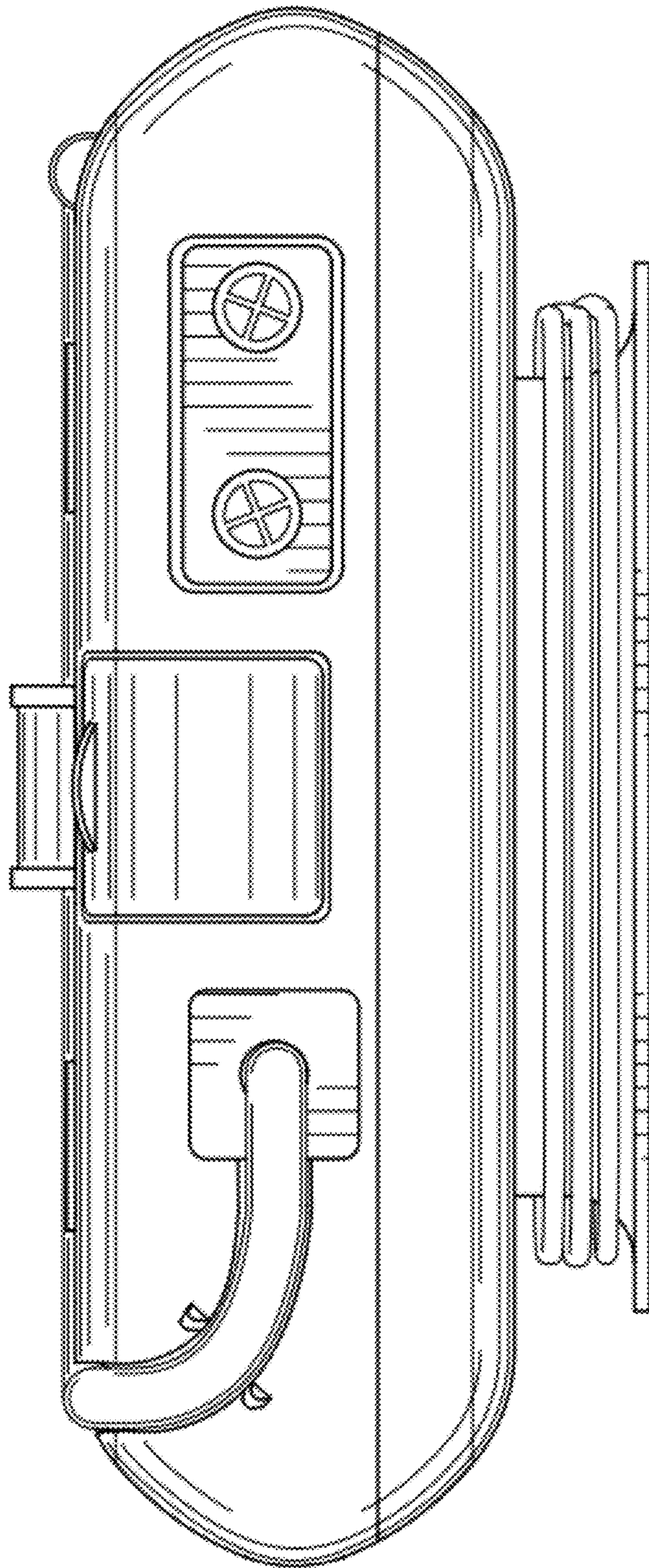


FIG. 8