



US00D665425S

(12) **United States Design Patent**  
**Genter et al.**

(10) **Patent No.:** **US D665,425 S**

(45) **Date of Patent:** **\*\* Aug. 14, 2012**

(54) **ENGINE**

(75) Inventors: **David Paul Genter**, Columbus, IN (US);  
**Ryan Nelson Knight**, Hope, IN (US);  
**Keith Edward Barber**, Columbus, IN  
(US); **Jason Robert Griffin**,  
Greenwood, IN (US); **Adrian**  
**Constantin Ciobota**, Columbus, IN  
(US); **Timothy Andrew Solzak**,  
Indianapolis, IN (US); **Gregory Scott**  
**Franks**, Edinburgh, IN (US); **John**  
**Mathias Winter, II**, Indianapolis, IN  
(US); **Ryan Vincent Larcom**,  
Indianapolis, IN (US); **Edwin B.**  
**Hopkins, III**, Columbus, IN (US);  
**Michael Todd Stanley**, Columbus, IN  
(US); **Alex Edward Priestley**,  
Warwickshire (GB); **Benjamin**  
**Dodman**, Northamptonshire (GB);  
**Stephen Sunadh Gidla**, Greenwood, IN  
(US); **Keith Adrian Gunter**,  
Northamptonshire (GB); **Lucy Anne**  
**Baker**, Columbus, IN (US); **Rodney Lee**  
**Steele**, Columbus, IN (US)

(73) Assignee: **Cummins Intellectual Property, Inc.**,  
Minneapolis, MN (US)

(\*\*) Term: **14 Years**

(21) Appl. No.: **29/405,118**

(22) Filed: **Oct. 28, 2011**

(51) **LOC (9) Cl.** ..... **15-01**

(52) **U.S. Cl.** ..... **D15/3**

(58) **Field of Classification Search** ..... D15/1,  
D15/2, 3, 5, 6, 14, 17, 149; 123/22, 41.34,  
123/51 A, 606 R, 50 A, 52.1, 50 B, 54.1,  
123/54.2, 54.4, 54.5, 65 R, 195 R, 195 HC,  
123/657, 311

See application file for complete search history.

(56) **References Cited**

U.S. PATENT DOCUMENTS

D224,169 S \* 7/1972 Rudd ..... D15/1  
D610,164 S \* 2/2010 Takahata et al. .... D15/1

\* cited by examiner

*Primary Examiner* — T. Chase Nelson

*Assistant Examiner* — Ania Aman

(74) *Attorney, Agent, or Firm* — Studebaker & Brackett PC;  
Tim L. Brackett, Jr.

(57) **CLAIM**

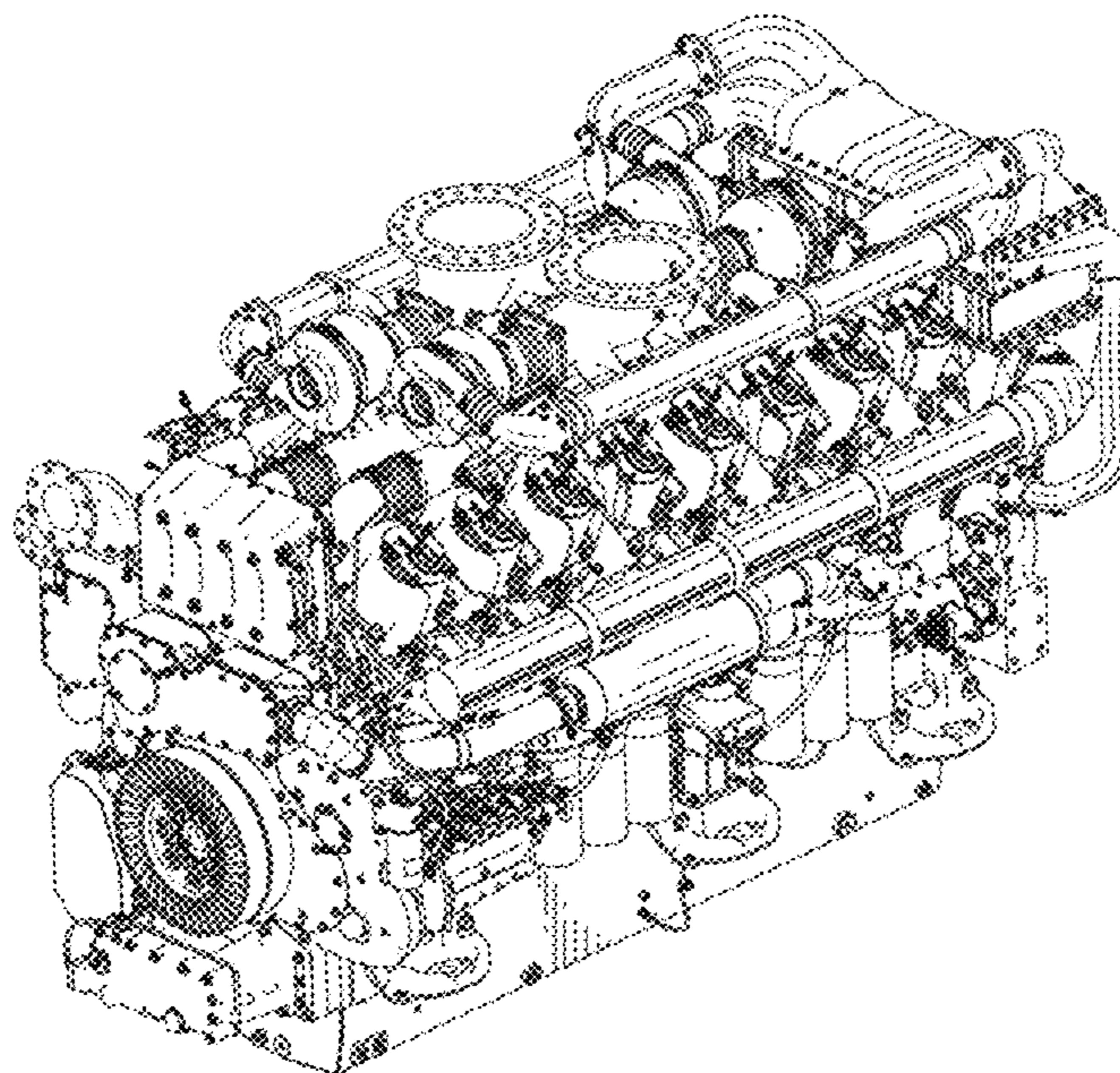
The ornamental design for an engine, as shown and described.

**DESCRIPTION**

FIG. 1 is a right side frontal perspective view of the engine;  
FIG. 2 is a left side frontal perspective view of the engine;  
FIG. 3 is a right side rear perspective view of the engine;  
FIG. 4 is a left side rear perspective view of the engine;  
FIG. 5 is a front view of the engine;  
FIG. 6 is a rear view of the engine;  
FIG. 7 is a right side view of the engine;  
FIG. 8 is a left side view of the engine;  
FIG. 9 is a top view of the engine; and,  
FIG. 10 is a bottom view of the engine.

In the drawings, the broken lines depict unclaimed subject  
matter only and form no part of the claimed design.

**1 Claim, 10 Drawing Sheets**



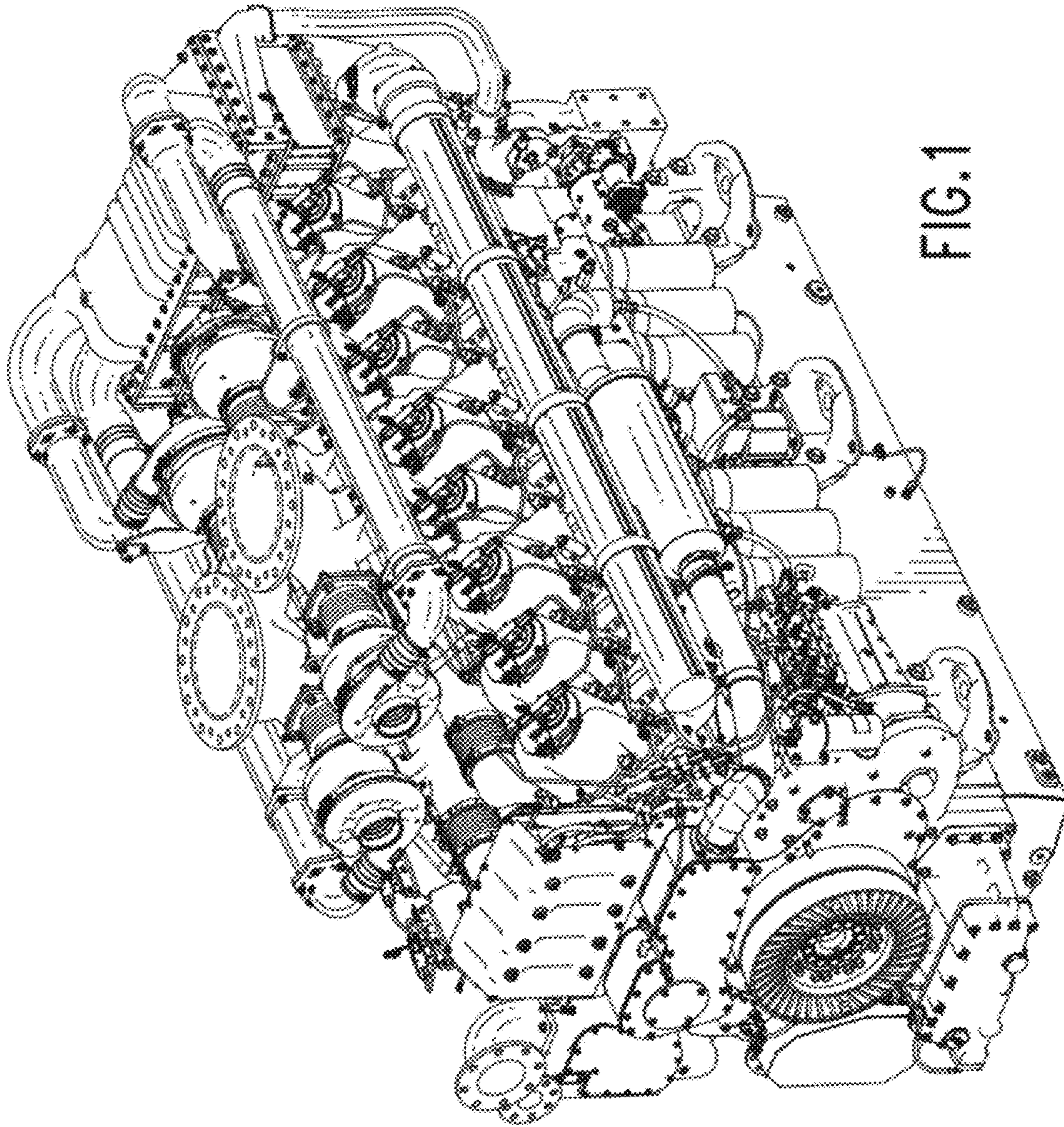


FIG.1

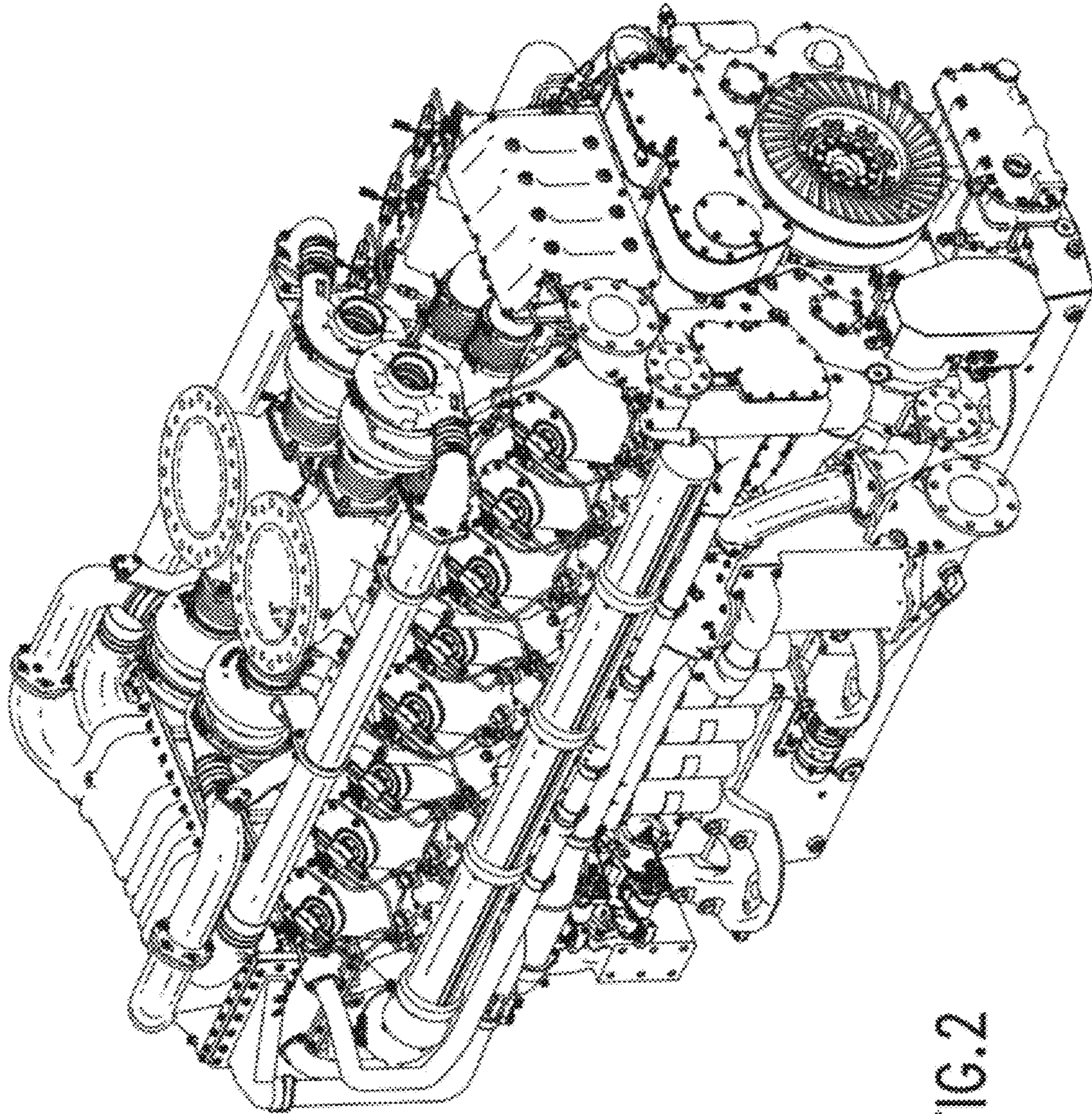


FIG.2

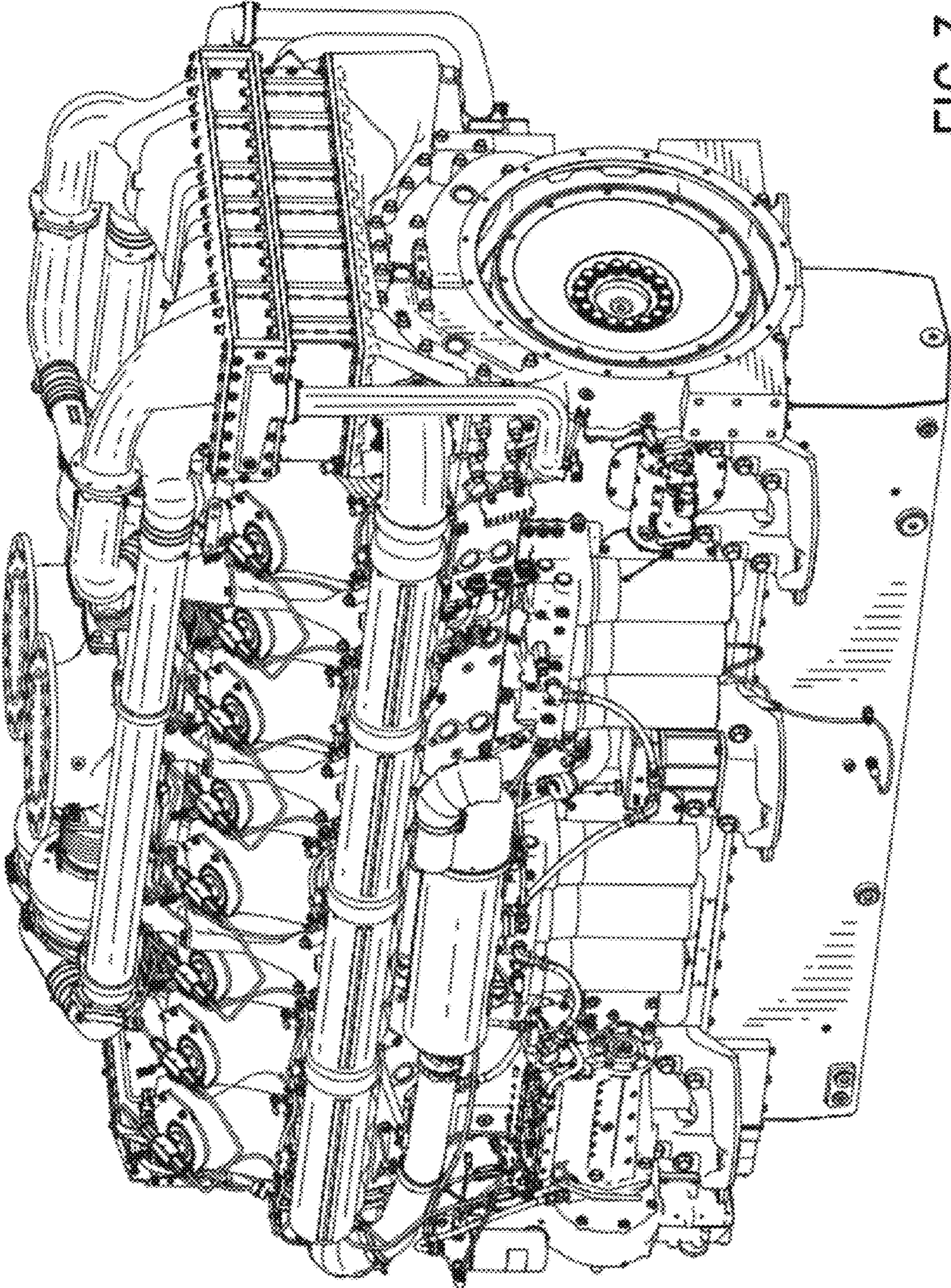


FIG. 3

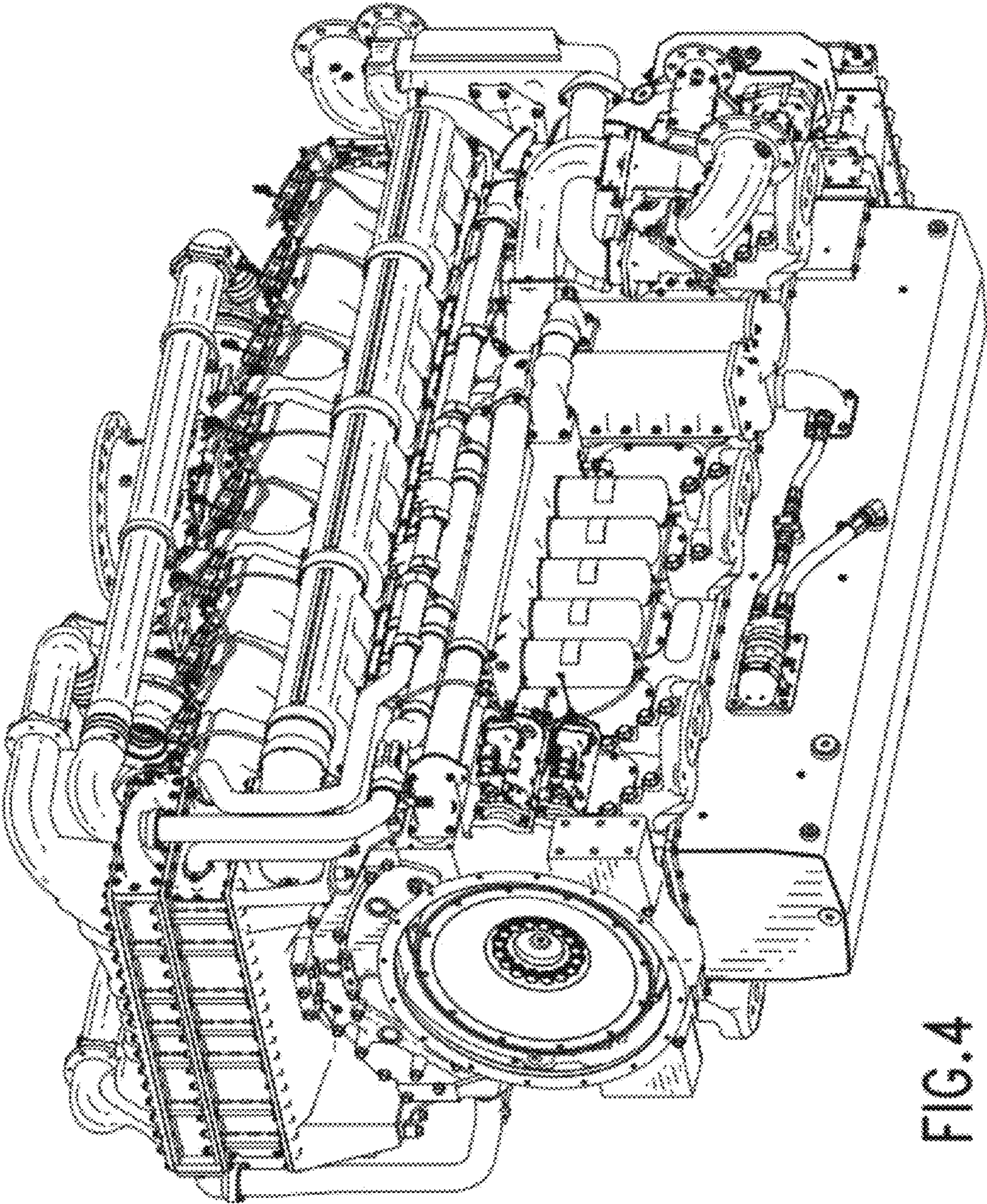


FIG.4

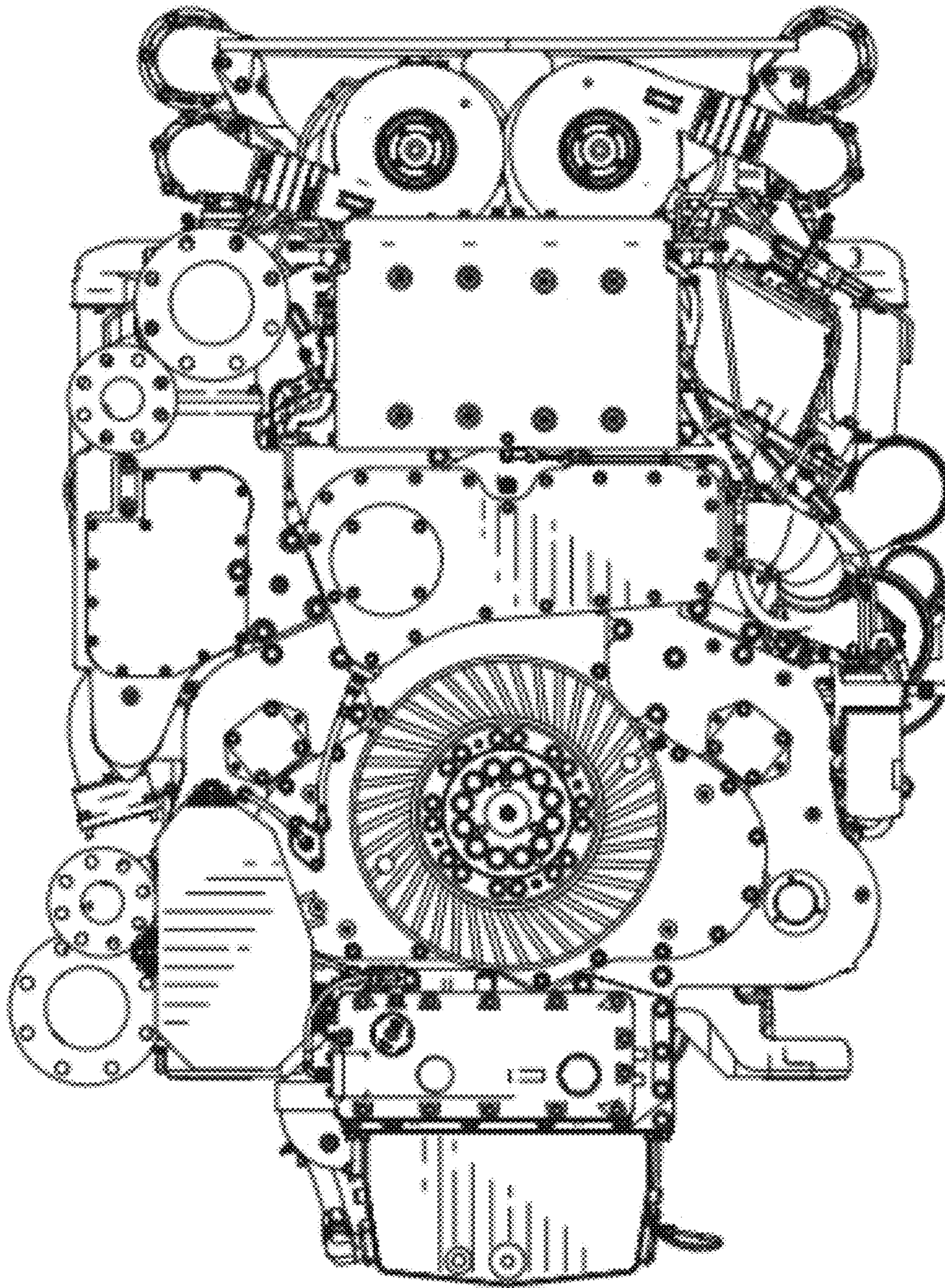


FIG. 5

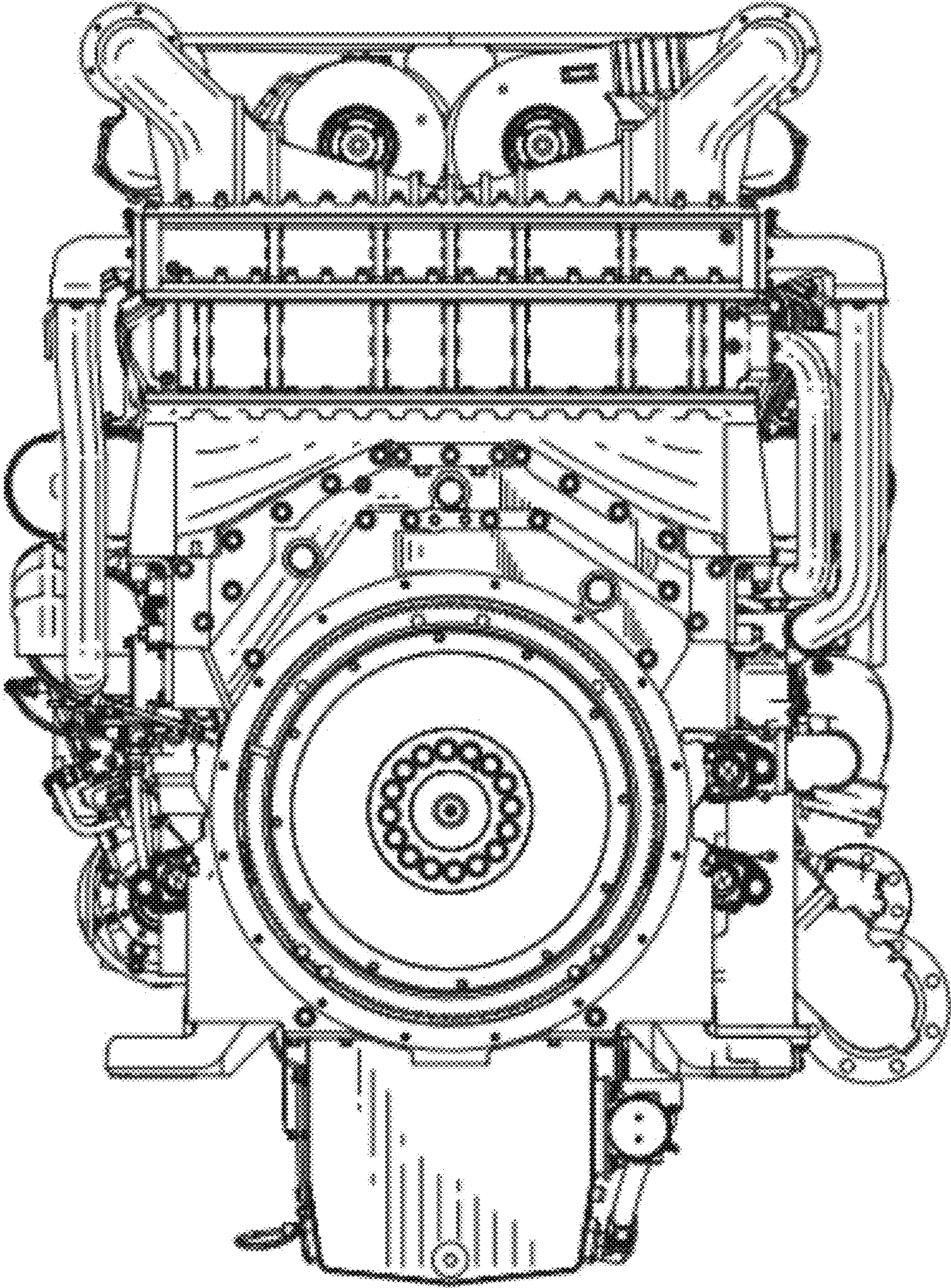


FIG. 6

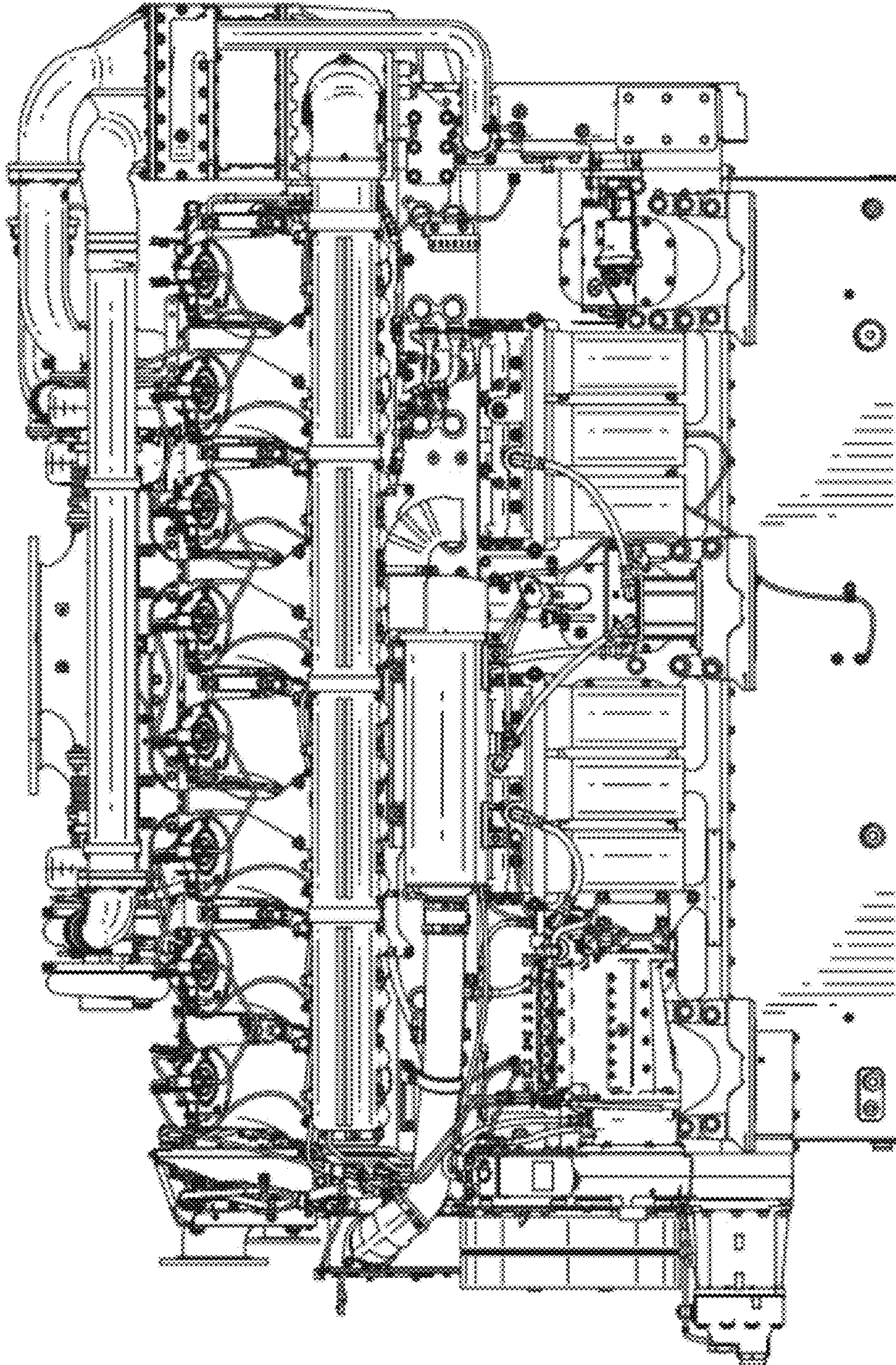


FIG. 7



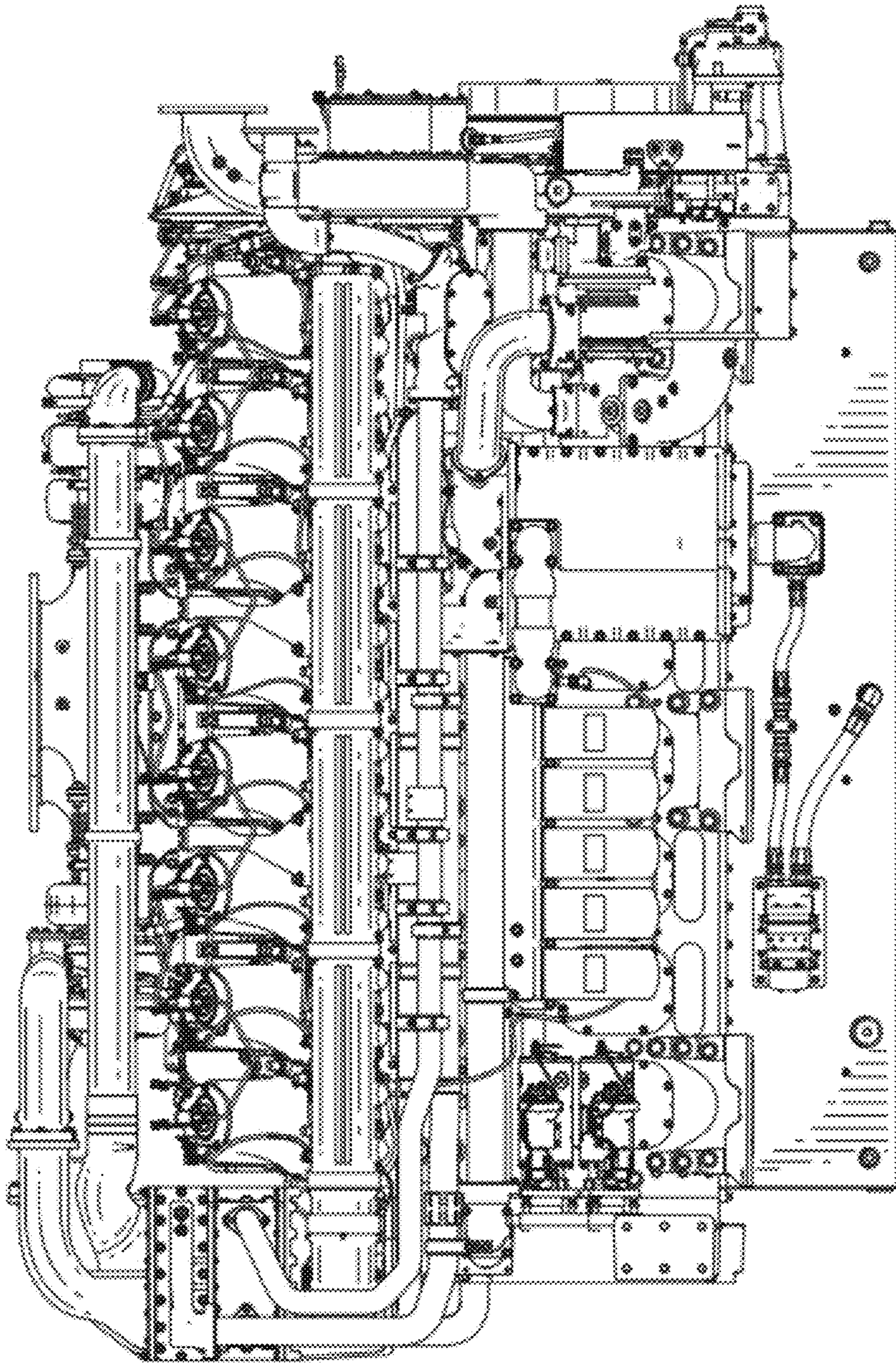


FIG.8

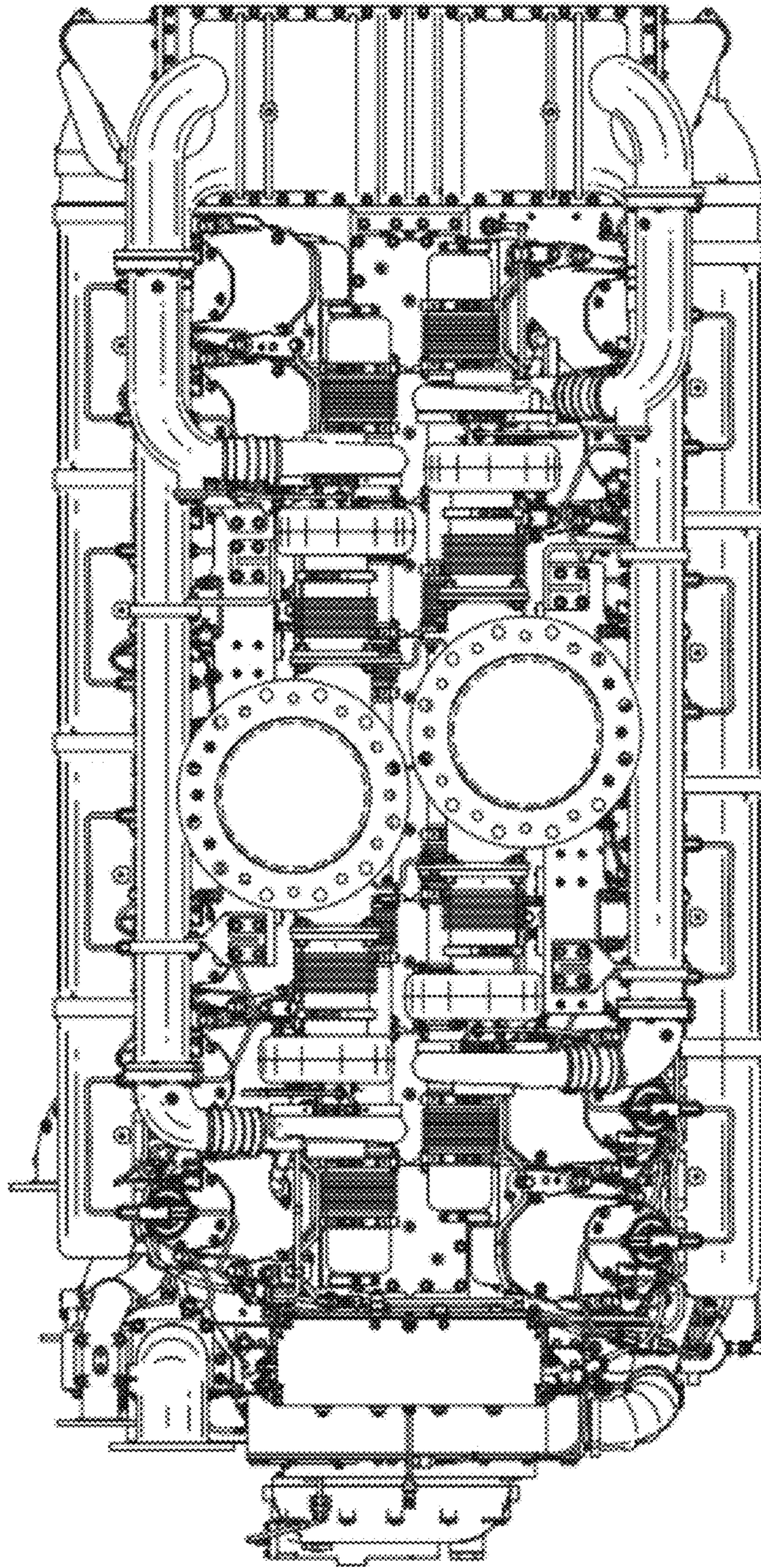


FIG. 9

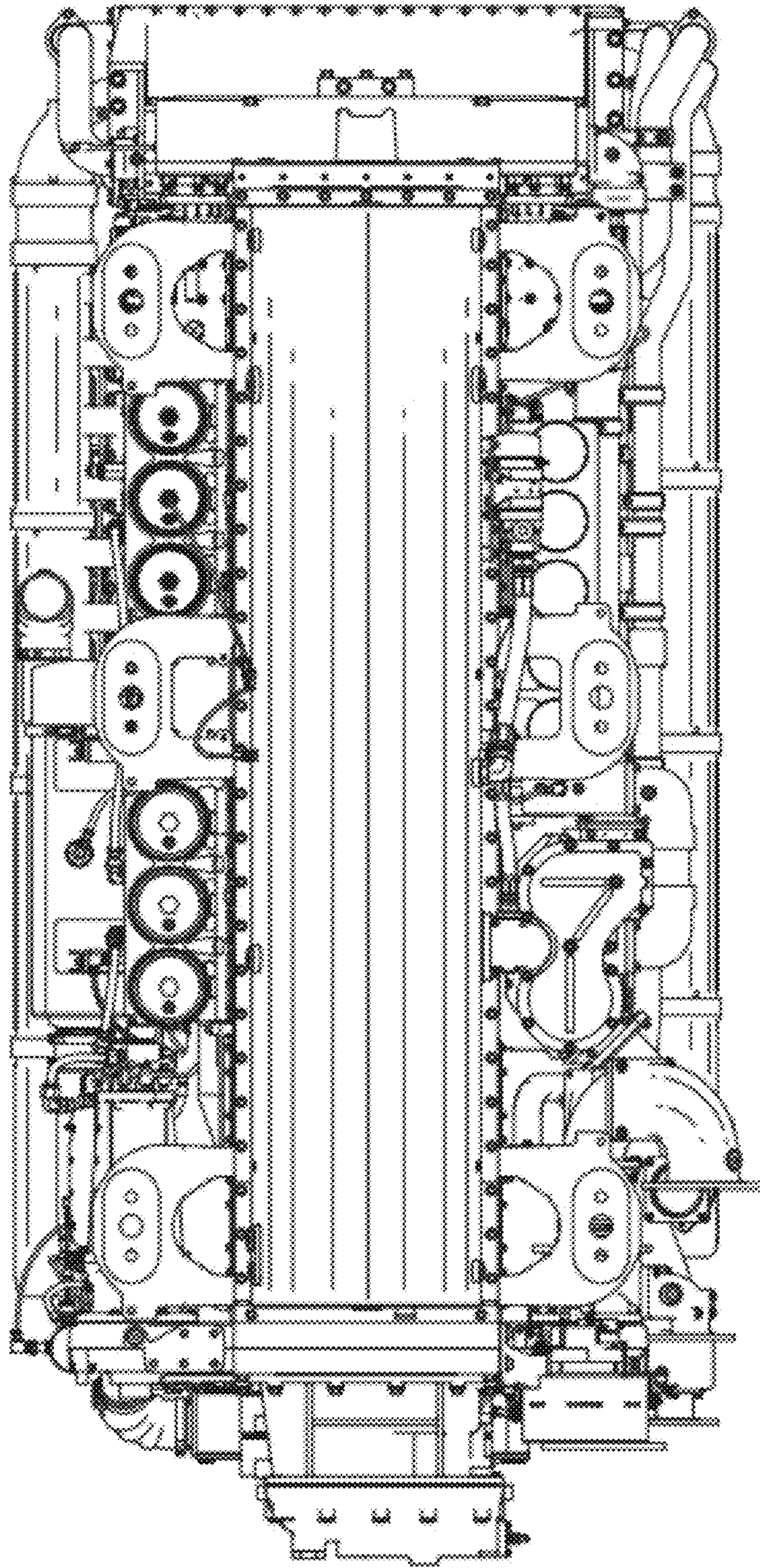


FIG. 10