



US00D665393S

(12) **United States Design Patent**
Kwon et al.

(10) **Patent No.:** **US D665,393 S**
(45) **Date of Patent:** **** Aug. 14, 2012**

(54) **LAPTOP DOCK**

DESCRIPTION

(75) Inventors: **Kitae Kwon**, San Jose, CA (US); **Phil Baker**, Solana Beach, CA (US); **Mike Nuttall**, Portola Valley, CA (US); **David Peschel**, San Carlos, CA (US)

(73) Assignee: **infiniWing, Inc.**, Cupertino, CA (US)

(**) Term: **14 Years**

(21) Appl. No.: **29/404,106**

(22) Filed: **Oct. 15, 2011**

(51) **LOC (9) Cl.** **14-02**

(52) **U.S. Cl.** **D14/434**

(58) **Field of Classification Search** D14/204,
D14/217, 314, 358, 420, 421, 447, 432-434;
D13/107, 108, 146; D8/373; 248/176.1,
248/34.03; 361/679.4, 679.31-679.33, 679.41,
361/679.43, 679.55; 320/109, 112-115;
710/15, 303; 455/557

See application file for complete search history.

(56) **References Cited**

U.S. PATENT DOCUMENTS

5,186,646 A 2/1993 Pederson
(Continued)

OTHER PUBLICATIONS

BookEndz model BE-MBA13 Facebook product announcement dated Oct. 21, 2010 and undated manual for same found at http://www.bookendzdocks.com/be-mba13_manual.pdf.

(Continued)

Primary Examiner — Freda S Nunn

(74) *Attorney, Agent, or Firm* — Peters Verny, LLP

(57) **CLAIM**

We claim the ornamental design for a laptop dock, as shown and described.

FIG. 1 is a perspective view of the laptop dock, as viewed from the front, side, and top thereof, in the open configuration.

FIG. 2 is the same perspective view of the laptop dock as in FIG. 1, but in the closed configuration.

FIG. 3 is a top view of the laptop dock in the open configuration.

FIG. 4 is a top view of the laptop dock in the closed configuration.

FIG. 5 is a bottom view of the laptop dock in the open configuration.

FIG. 6 is a top view of the laptop dock in the closed configuration.

FIG. 7 is a front view of the laptop dock in the open configuration.

FIG. 8 is a front view of the laptop dock in the closed configuration.

FIG. 9 is a back view of the laptop dock in the open configuration.

FIG. 10 is a back view of the laptop dock in the closed configuration.

FIG. 11 is a right side view of the laptop dock in the open configuration.

FIG. 12 is a right side view of the laptop dock in the closed configuration.

FIG. 13 is a left side view of the laptop dock in the open configuration.

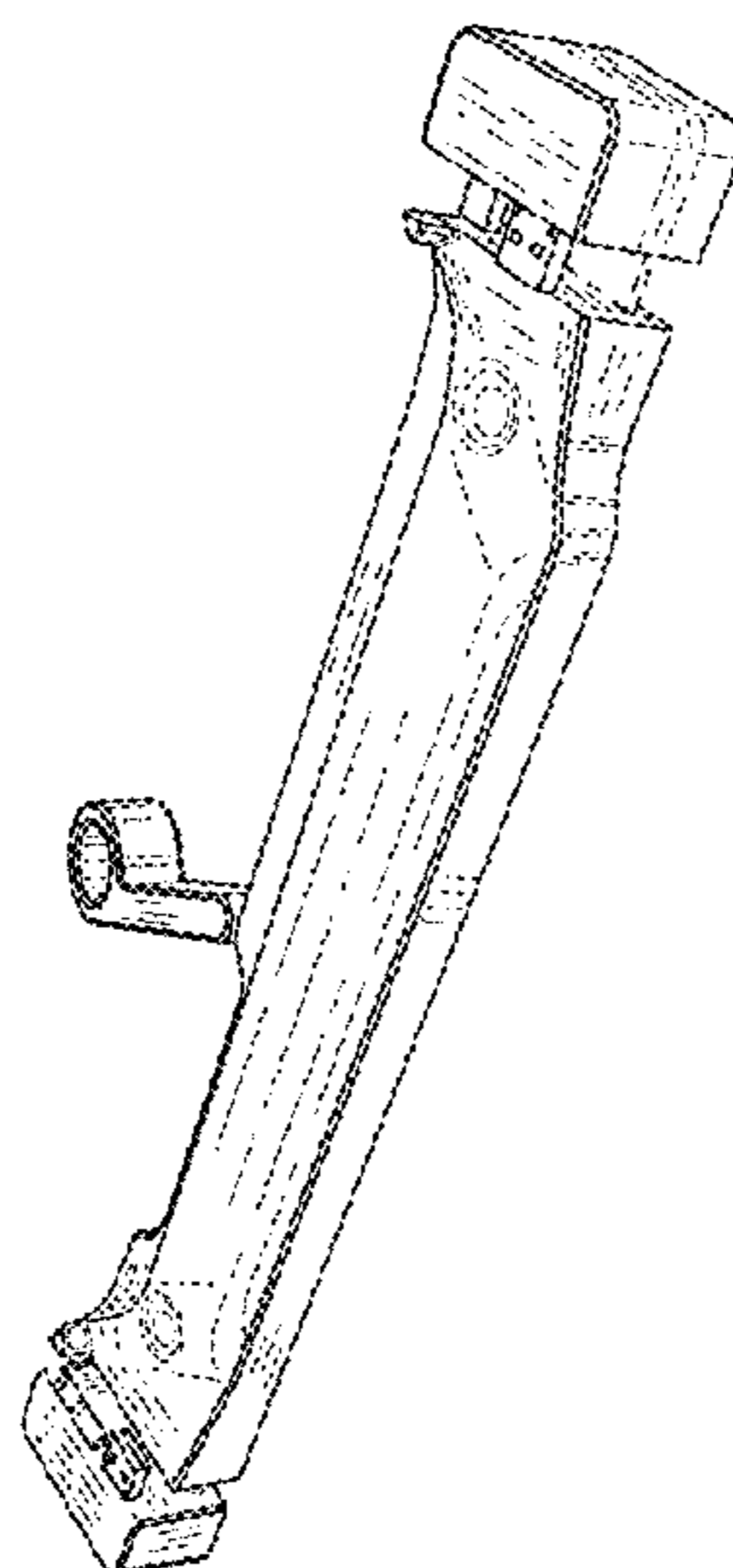
FIG. 14 is a left side view of the laptop dock in the closed configuration.

FIG. 15 is a perspective view of the laptop dock, as viewed from the back, side, and top thereof, in the closed configuration and securing a laptop computer with the laptop lid closed; and,

FIG. 16 is the same perspective view of the laptop dock in the closed configuration securing the laptop computer, as in FIG. 15, but with the laptop lid raised.

The purpose of broken lines in the drawings is to show environmental structure and features that form no part of the design to be patented. The laptop dock includes an open configuration for receiving a laptop computer and a closed configuration for securing the laptop computer. Both configurations are illustrated.

1 Claim, 14 Drawing Sheets



US D665,393 S

Page 2

U.S. PATENT DOCUMENTS

5,580,182 A * 12/1996 Lin 403/325
D396,705 S * 8/1998 Iino D14/434
D400,515 S * 11/1998 Shima D14/433
D413,312 S * 8/1999 Suzuki D14/434
D505,958 S * 6/2005 Cheng D14/434
D583,820 S 12/2008 O'Shea
7,503,808 B1 3/2009 O'Shea
D604,737 S * 11/2009 Symons D14/434
2005/0116685 A1 * 6/2005 Liu et al. 320/116

2011/0065314 A1 3/2011 Vroom et al.

OTHER PUBLICATIONS

U.S. Appl. No. 13/302,686, Kitae Kwon, Systems and Methods for Securing Mobile Computing Devices, filed Nov. 22, 2011.

U.S. Appl. No. 13/356,429, Kitae Kwon, Wireless Audio/Video Transmitter using World Wide Web Stan, filed Jan. 23, 2012.

* cited by examiner

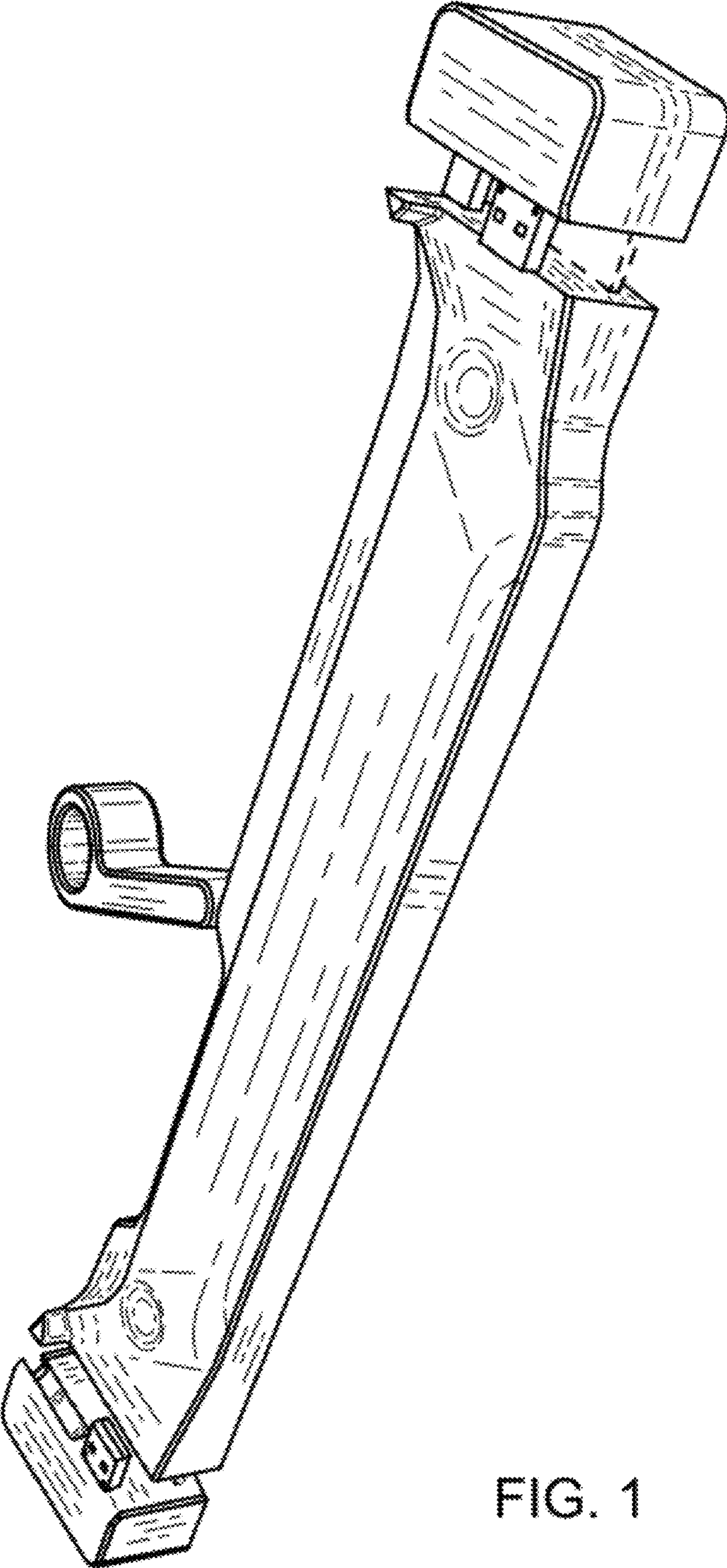


FIG. 1

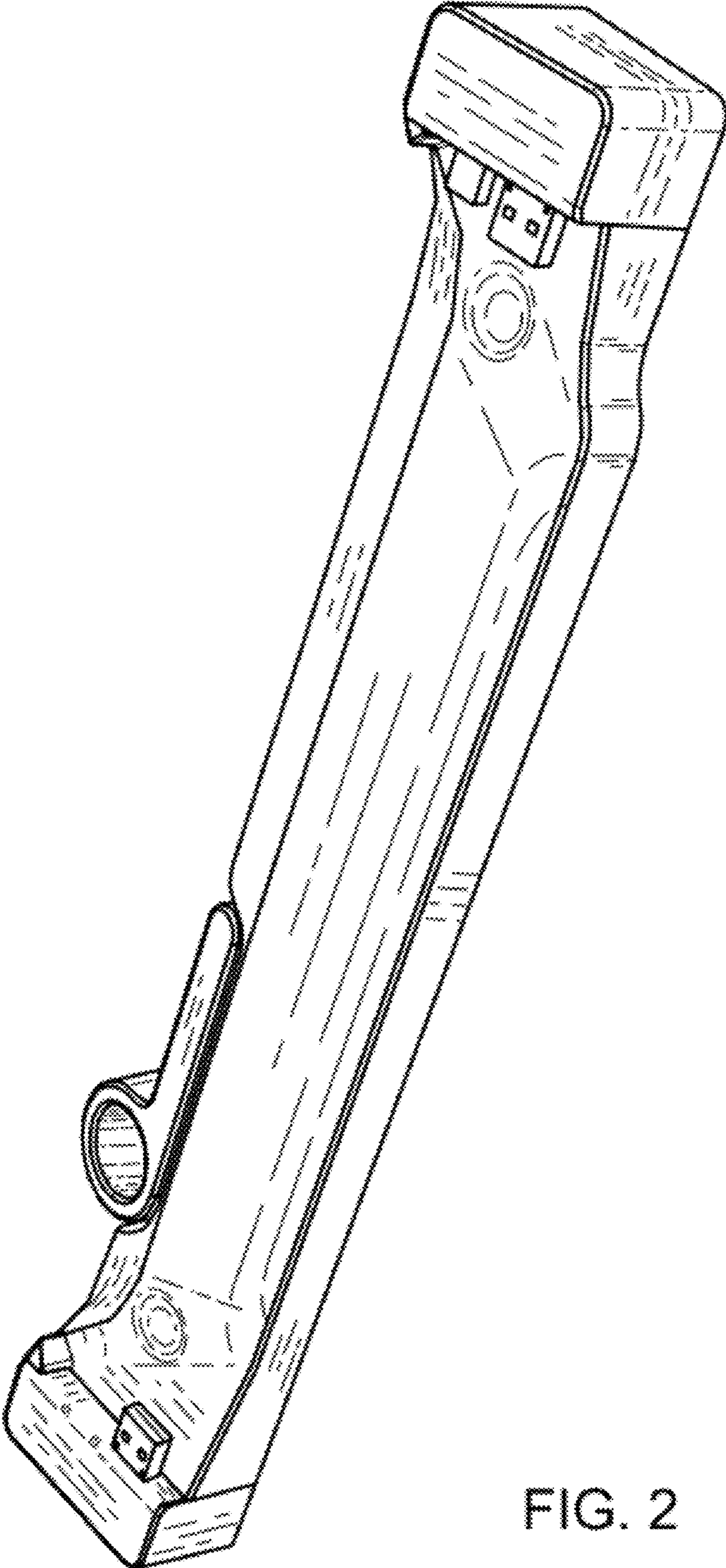


FIG. 2

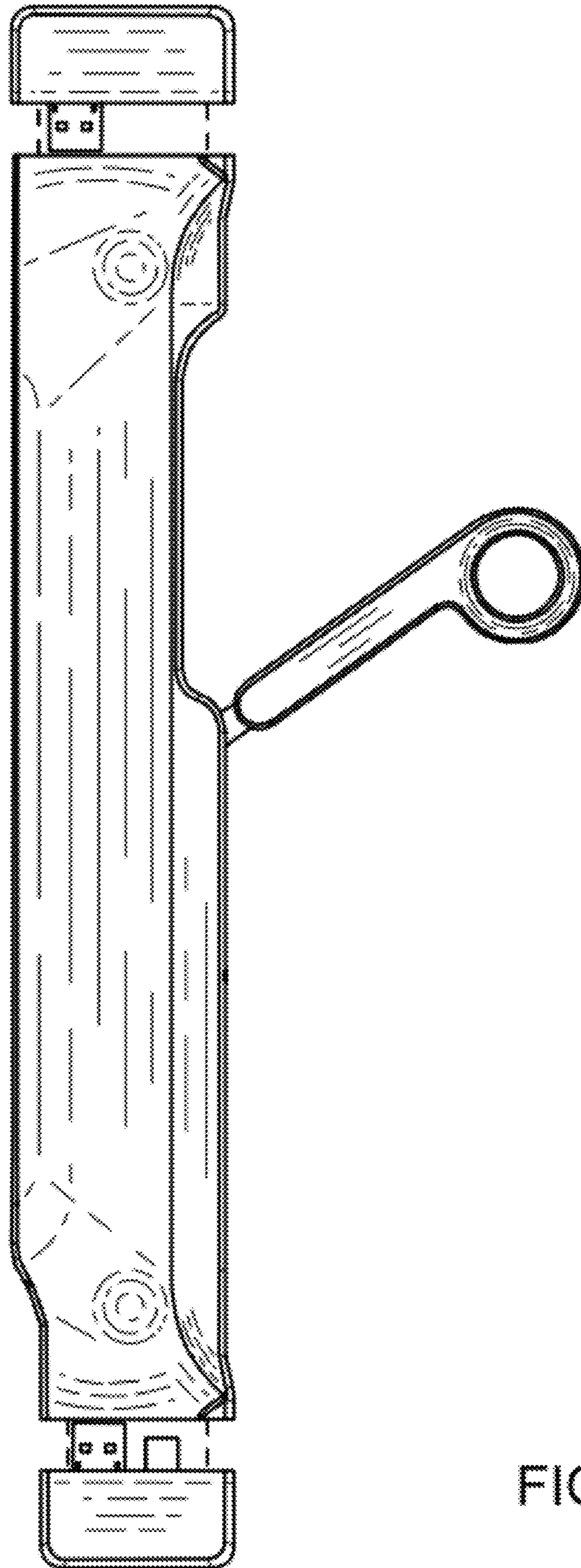


FIG. 3

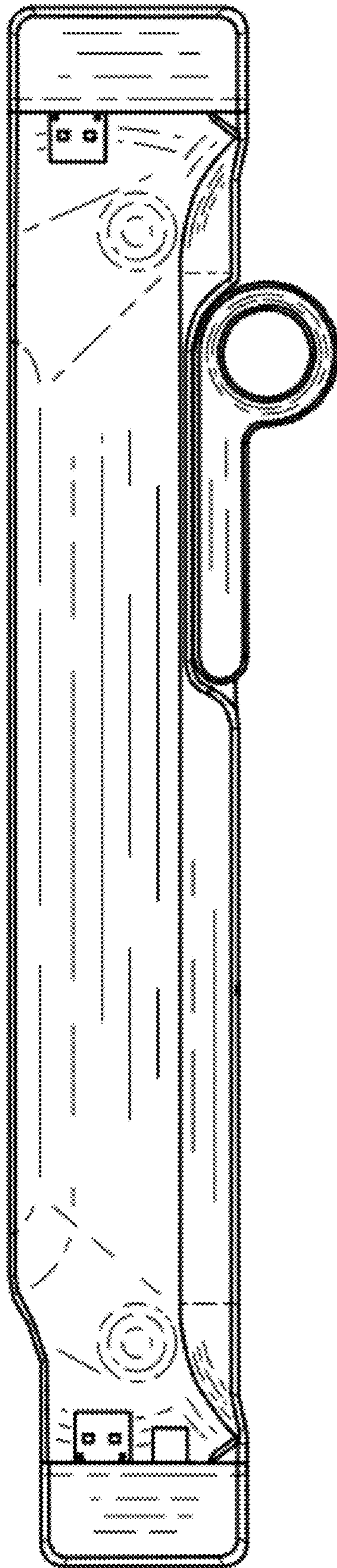


FIG. 4

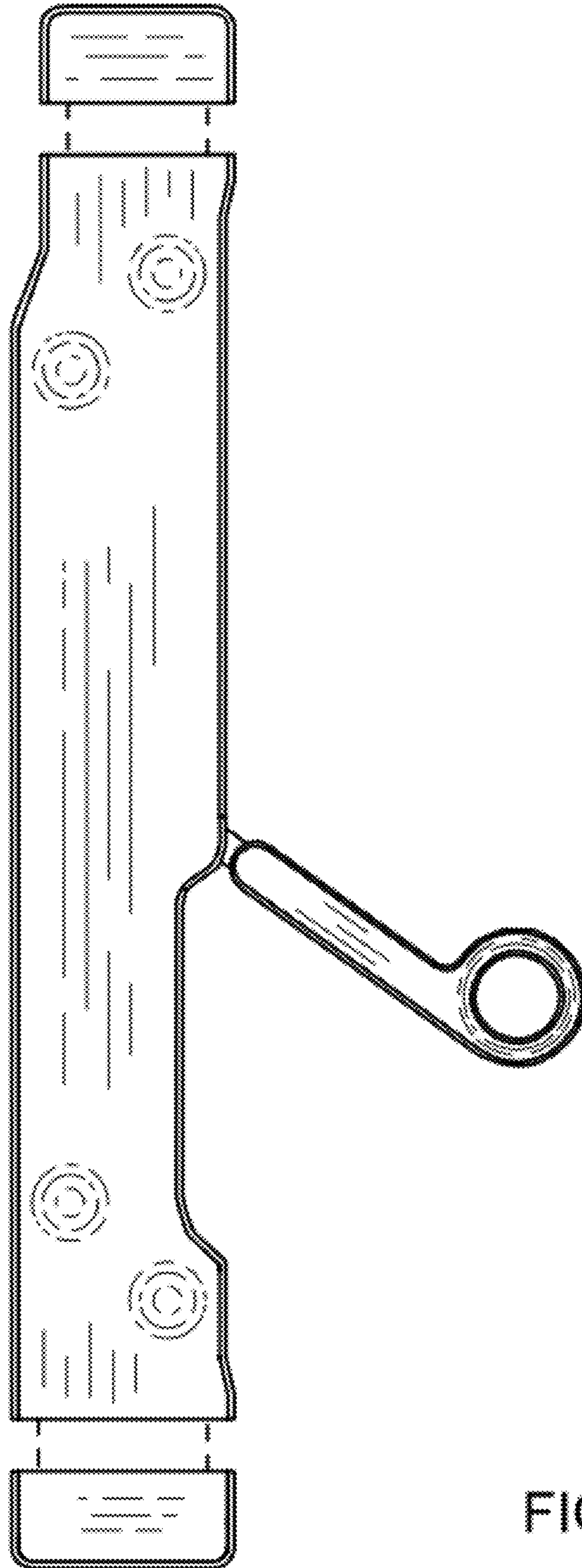


FIG. 5

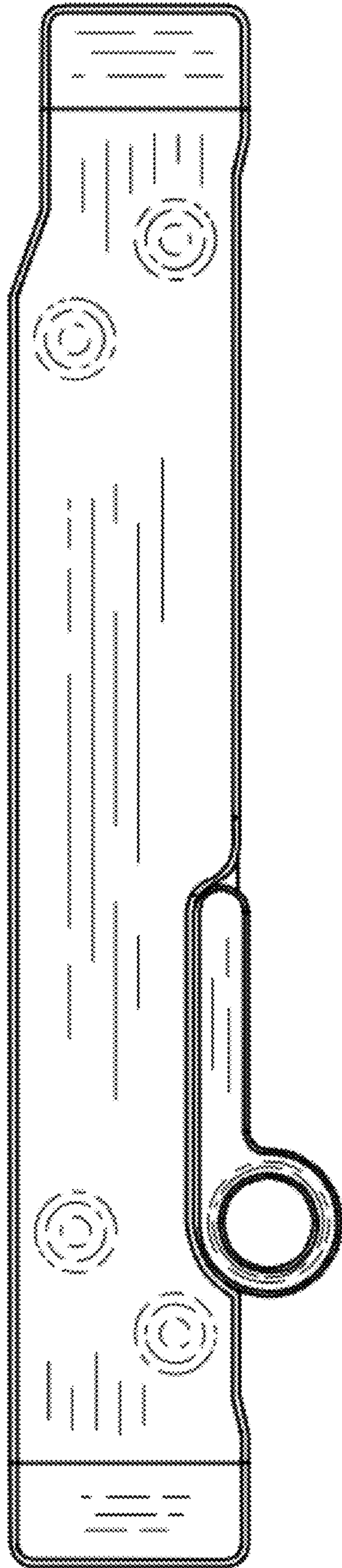


FIG. 6

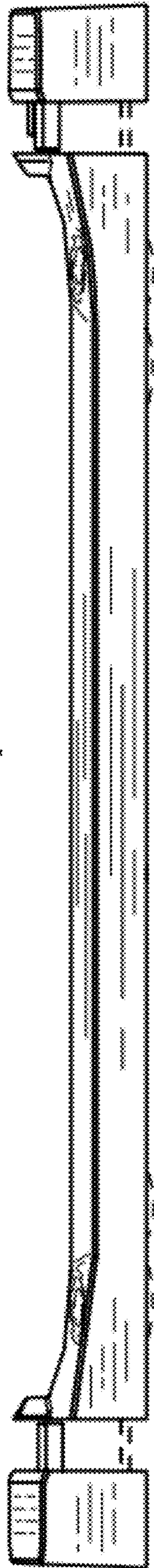


FIG. 7



FIG. 8

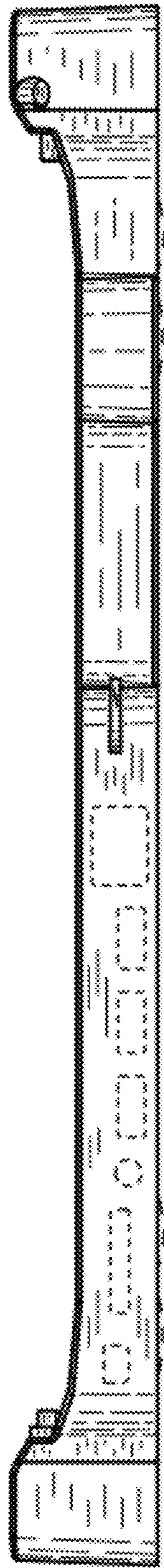


FIG. 9

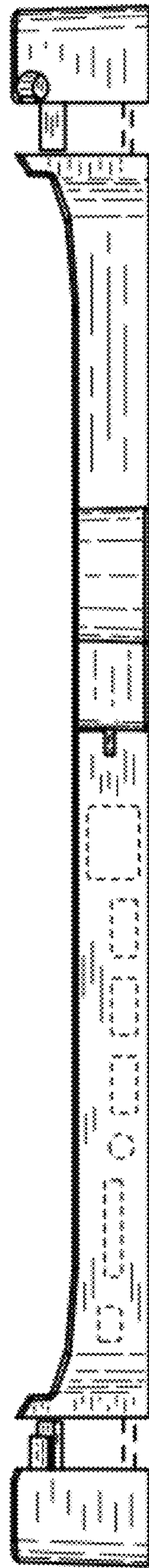
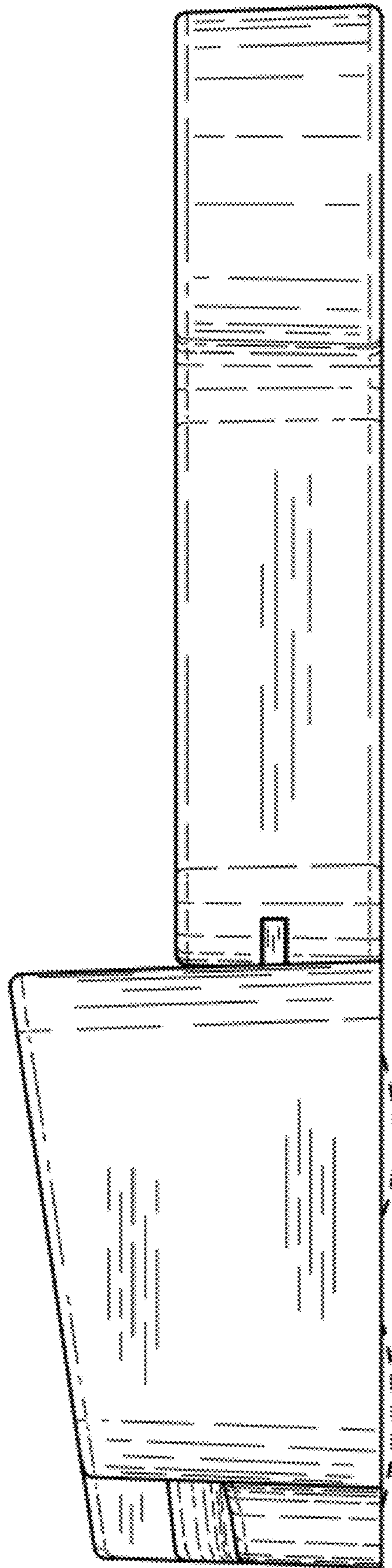


FIG. 10

FIG. 11



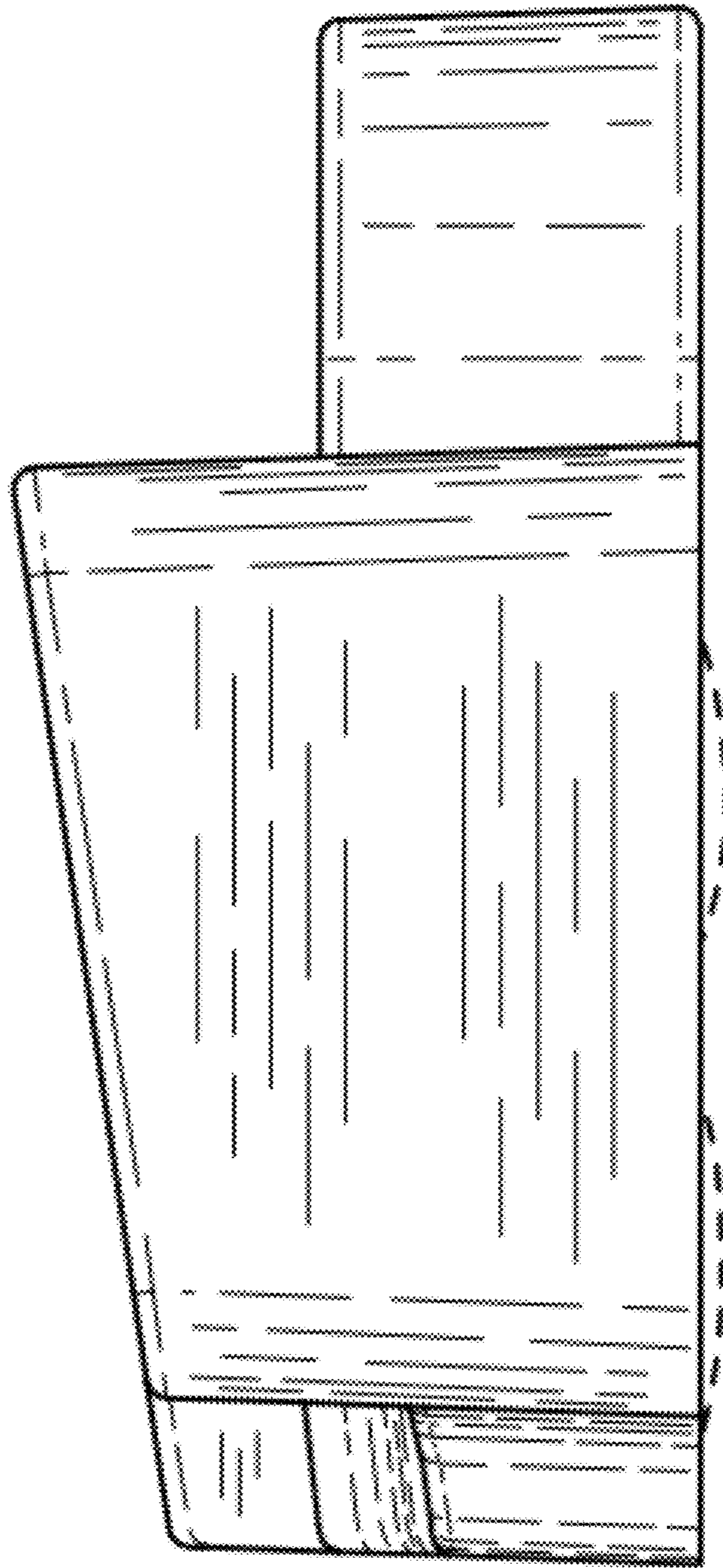


FIG. 12

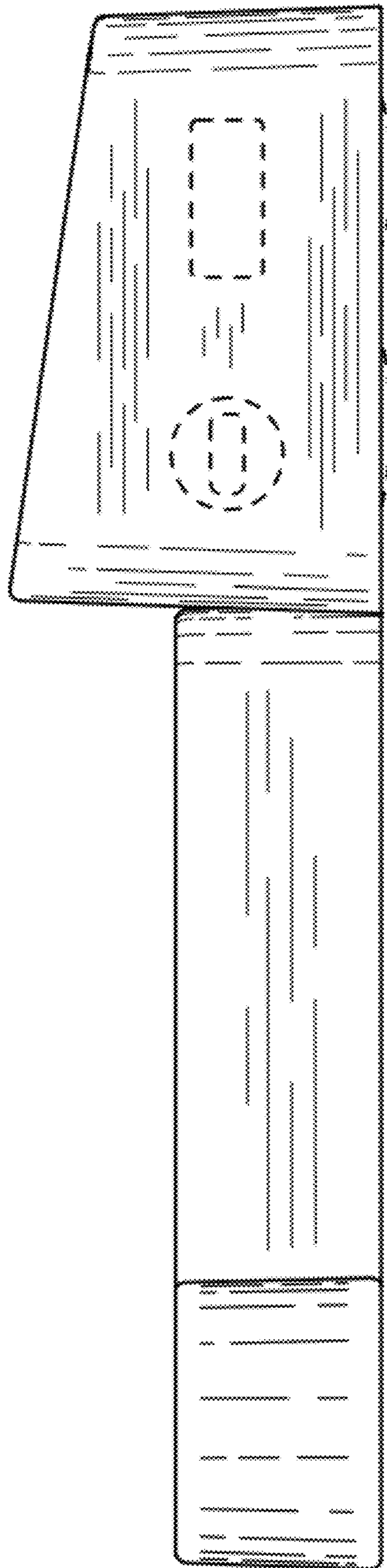


FIG. 13

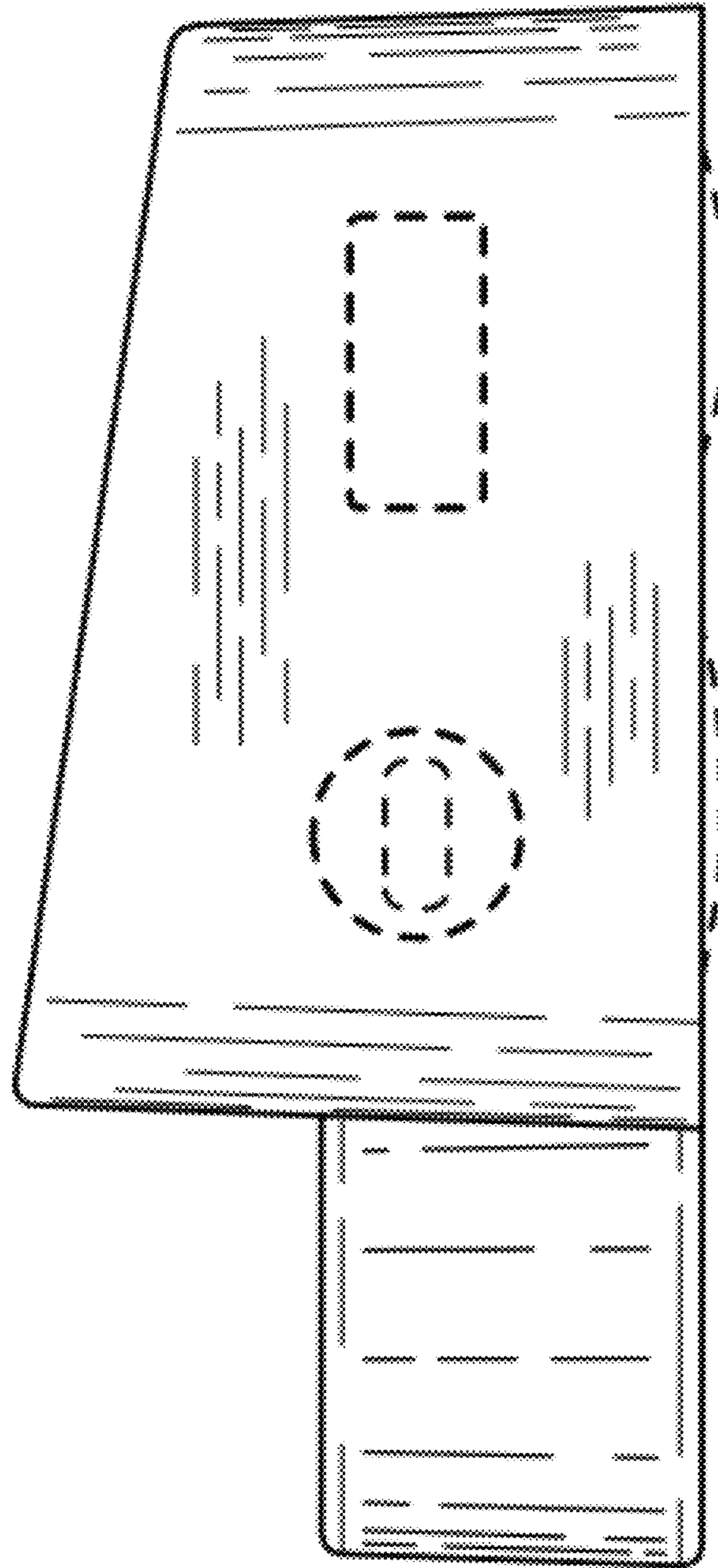


FIG. 14

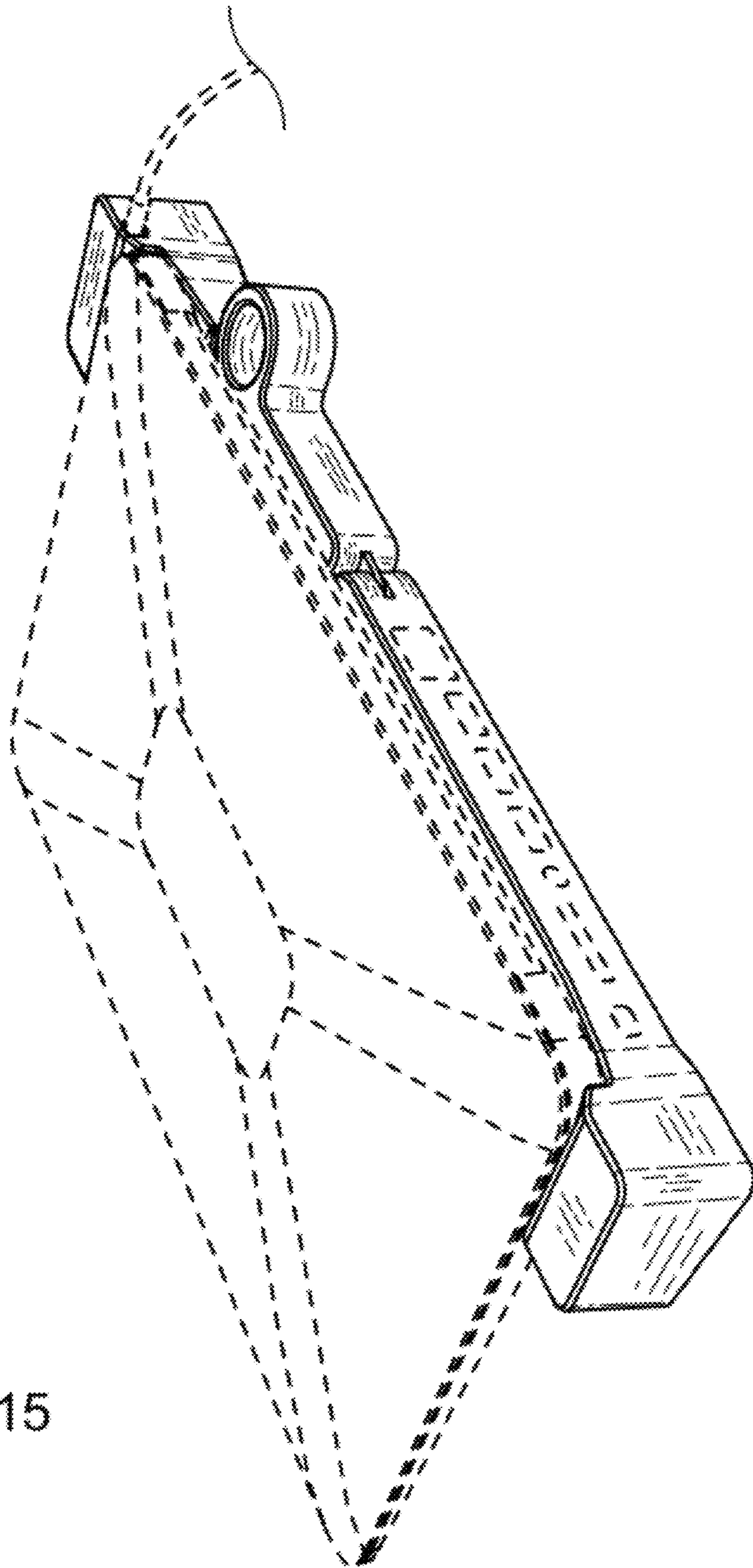


FIG. 15

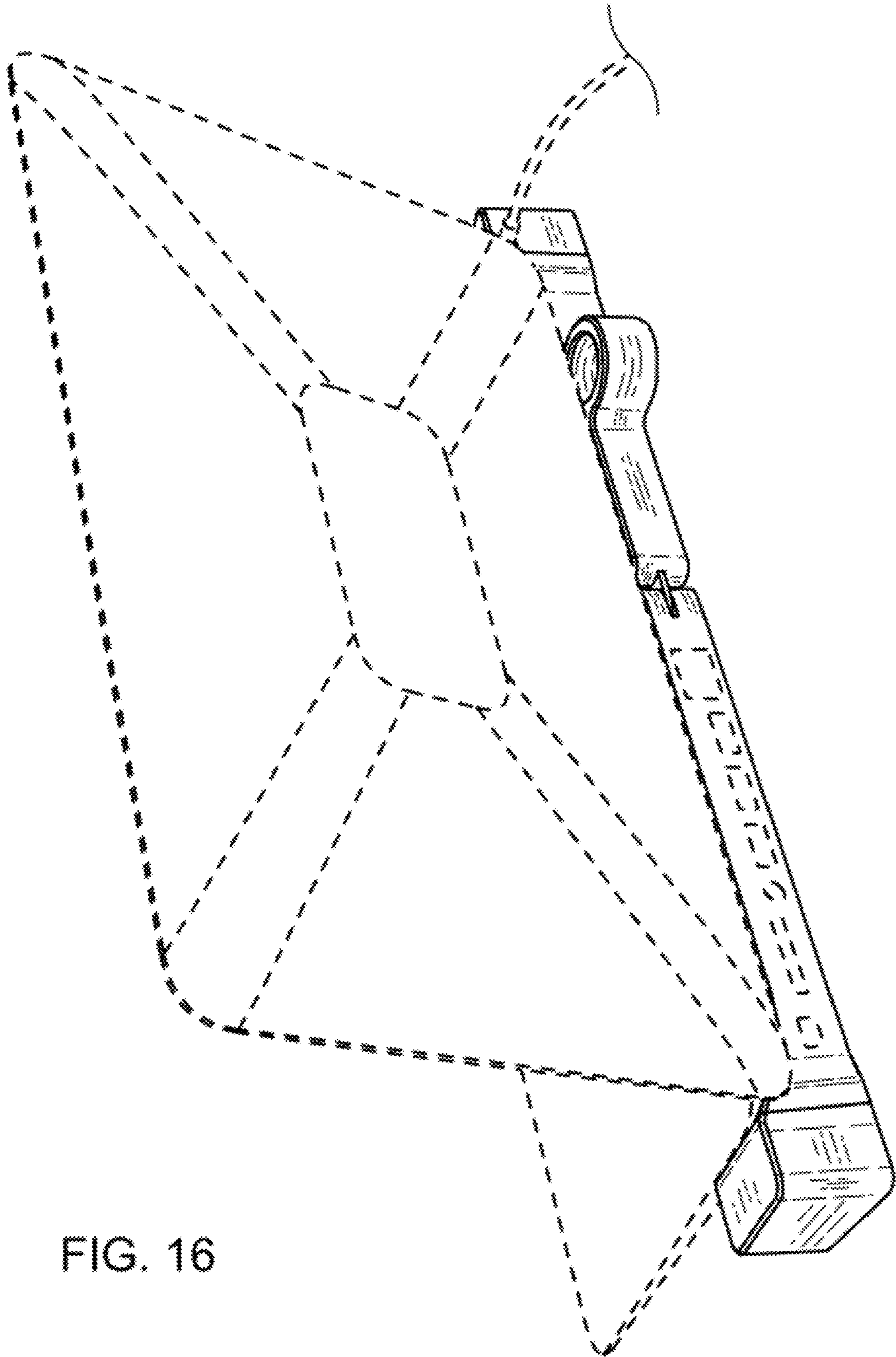


FIG. 16