

US00D665392S

(12) **United States Design Patent**
Jost

(10) **Patent No.:** **US D665,392 S**

(45) **Date of Patent:** **** Aug. 14, 2012**

(54) **COMPUTER MOUSE**

(75) Inventor: **Andreas Jost**, Hamburg (DE)

(73) Assignee: **Roccat GmbH**, Hamburg (DE)

(**) Term: **14 Years**

(21) Appl. No.: **29/414,862**

(22) Filed: **Mar. 5, 2012**

(51) **LOC (9) Cl.** **14-02**

(52) **U.S. Cl.** **D14/409**

(58) **Field of Classification Search** D14/402-411,
D14/356, 388, 389, 383-385, 417, 426;
345/156-167; 463/36-38; 358/471, 473;
273/148 B

See application file for complete search history.

(56) **References Cited**

U.S. PATENT DOCUMENTS

D375,087 S *	10/1996	Cordes et al.	D14/404
D401,919 S *	12/1998	Chiang	D14/409
D416,012 S *	11/1999	Neifer	D14/406
D418,501 S *	1/2000	Neifer	D14/409
D514,572 S *	2/2006	Chang	D14/409
D540,325 S *	4/2007	Chang	D14/409
D540,326 S *	4/2007	Chang	D14/410

D540,801 S *	4/2007	Chatterjee et al.	D14/409
D544,863 S *	6/2007	Chatterjee et al.	D14/409
D562,822 S *	2/2008	Canavan et al.	D14/409
D566,711 S *	4/2008	Lo	D14/409
D591,294 S *	4/2009	Manalo	D14/402
D593,099 S *	5/2009	Kujawski et al.	D14/409
D597,546 S *	8/2009	Kujawski et al.	D14/409
D607,452 S *	1/2010	Manalo et al.	D14/402
D620,009 S *	7/2010	Lin et al.	D14/409
D624,918 S *	10/2010	Kujawski et al.	D14/409
D638,428 S *	5/2011	Kujawski et al.	D14/409

* cited by examiner

Primary Examiner — Austin Murphy

(74) *Attorney, Agent, or Firm* — McGlew and Tuttle, P.C.

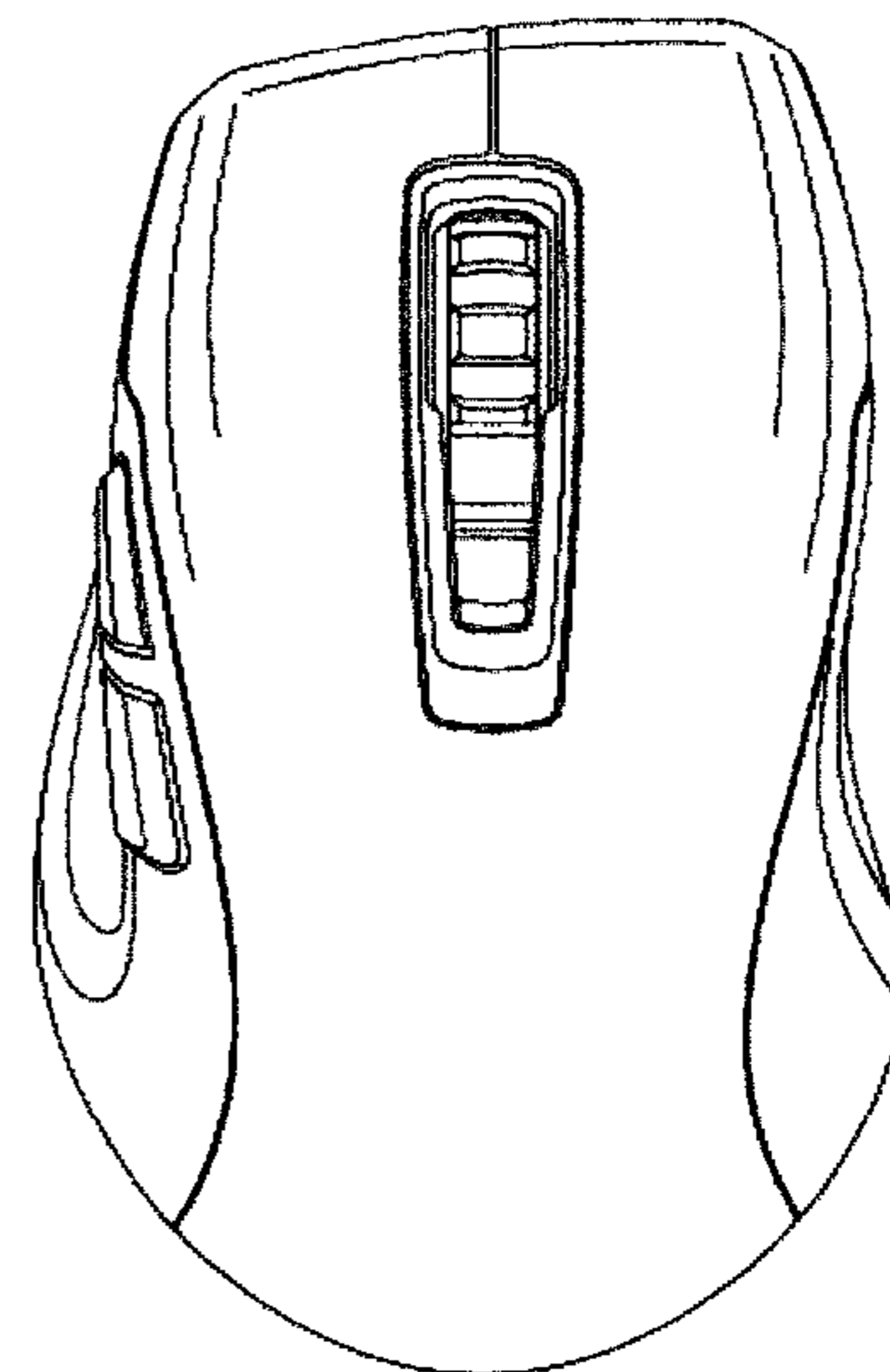
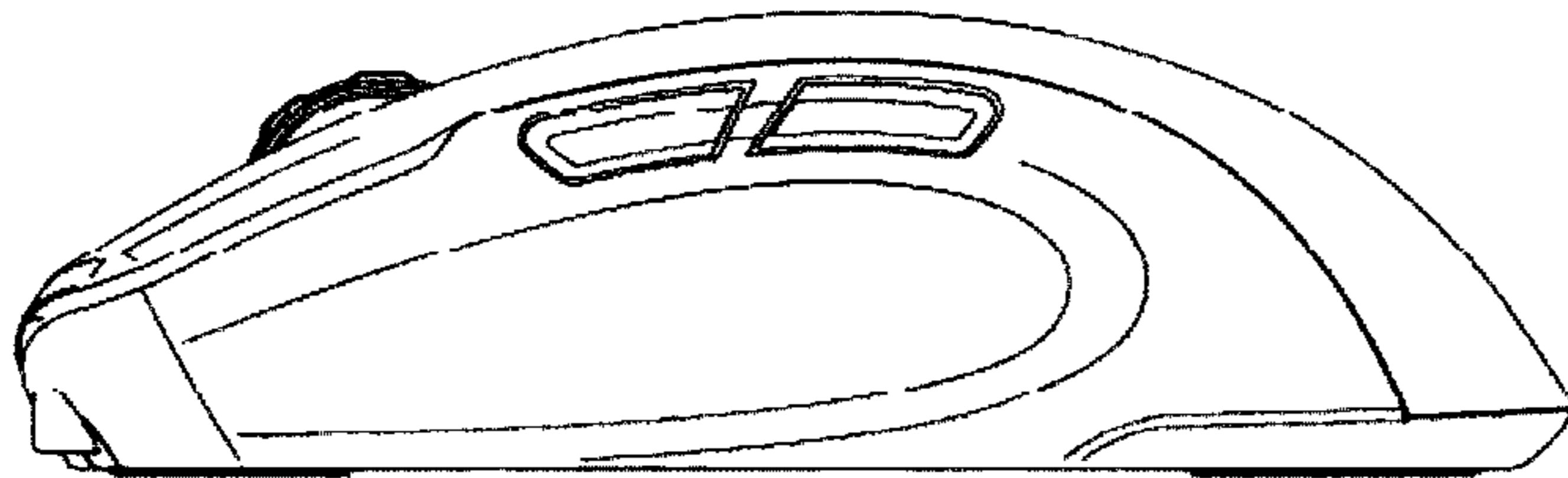
(57) **CLAIM**

The ornamental design for a computer mouse, as shown and described.

DESCRIPTION

FIG. 1 is a front end view of my new computer mouse design; FIG. 2 is a rear end view thereof; FIG. 3 is a right side view thereof; FIG. 4 is is a left side view thereof; FIG. 5 is a top view thereof; FIG. 6 is top right perspective view thereof; and, FIG. 7 is a top rear perspective view thereof.

1 Claim, 7 Drawing Sheets



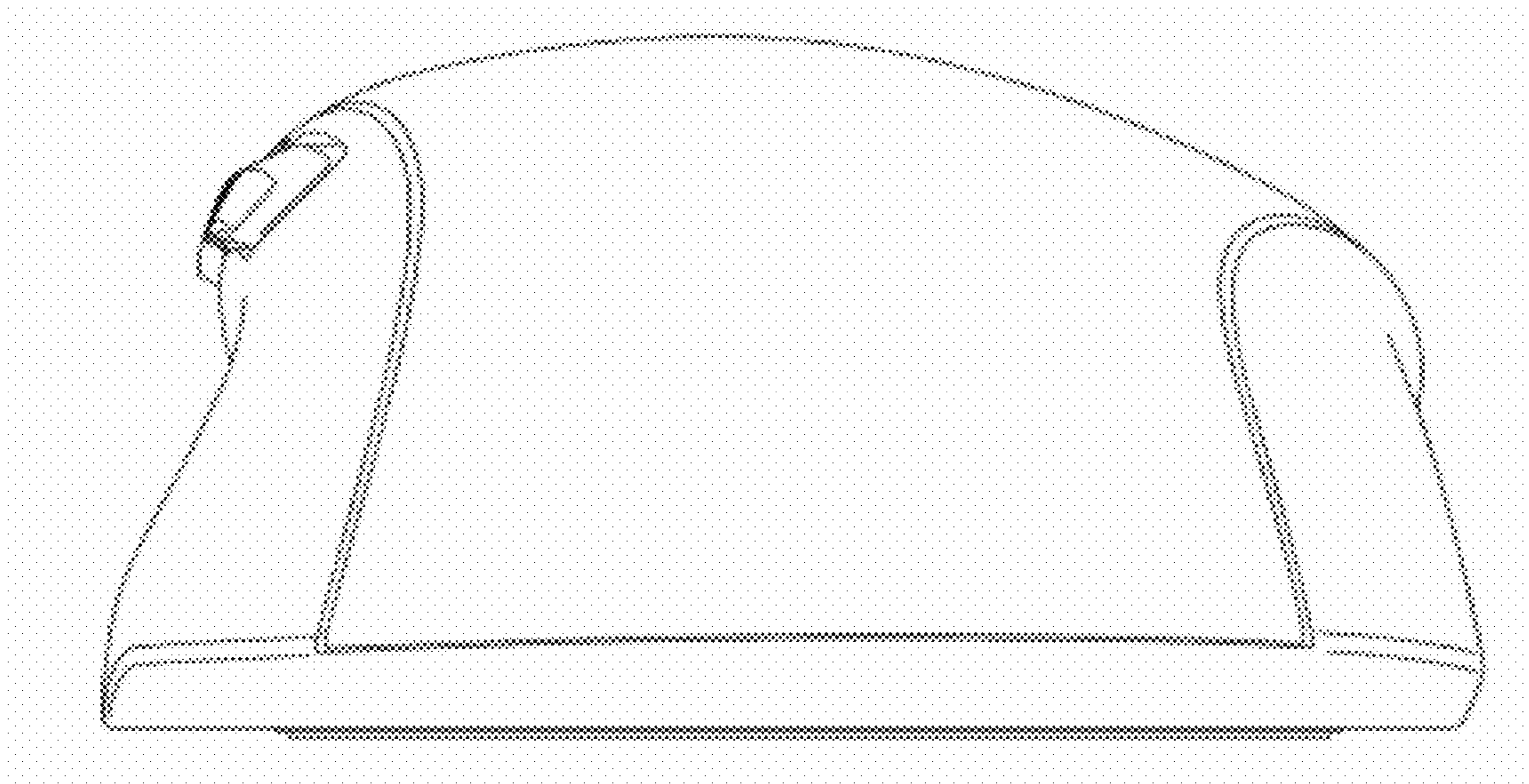


Fig. 1

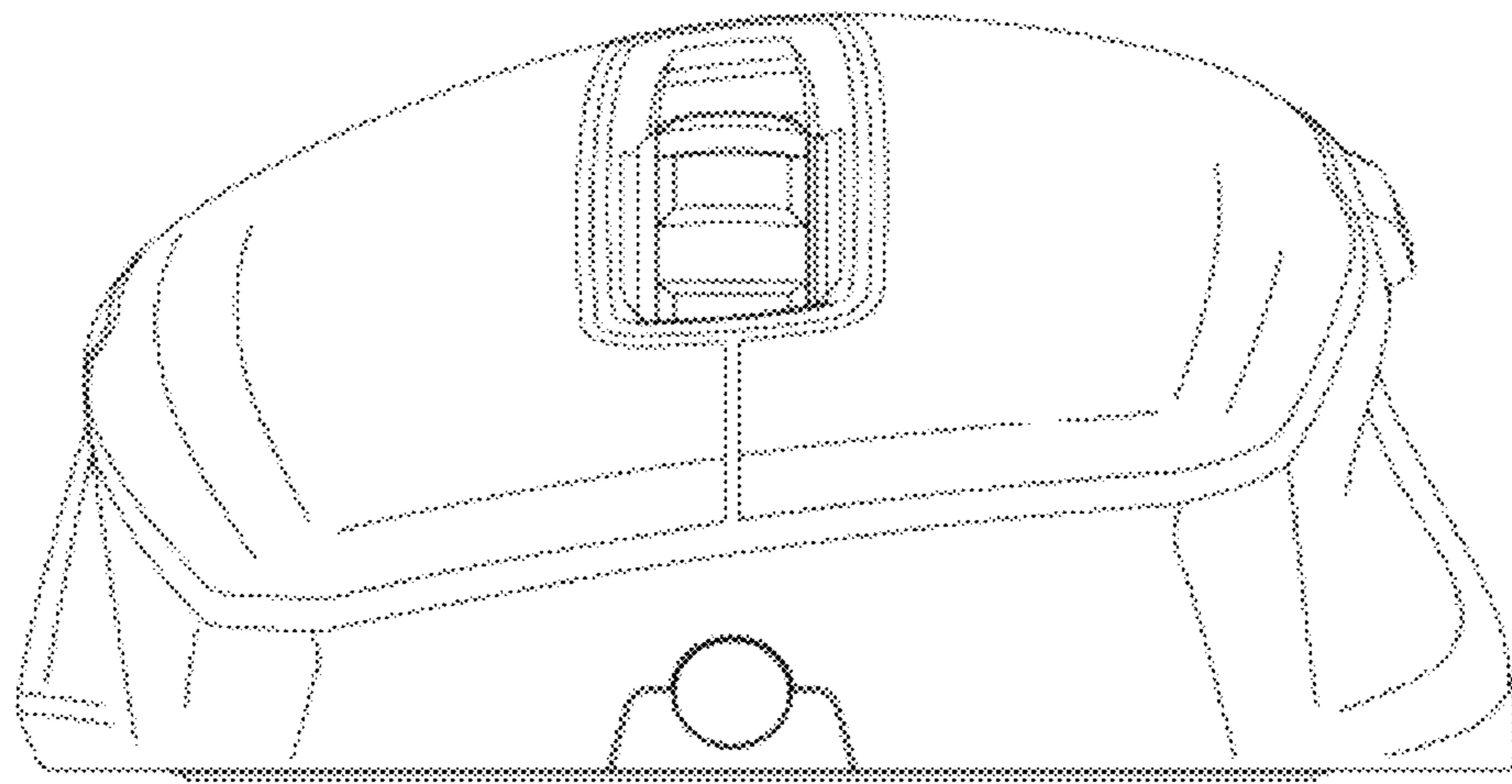


Fig. 2

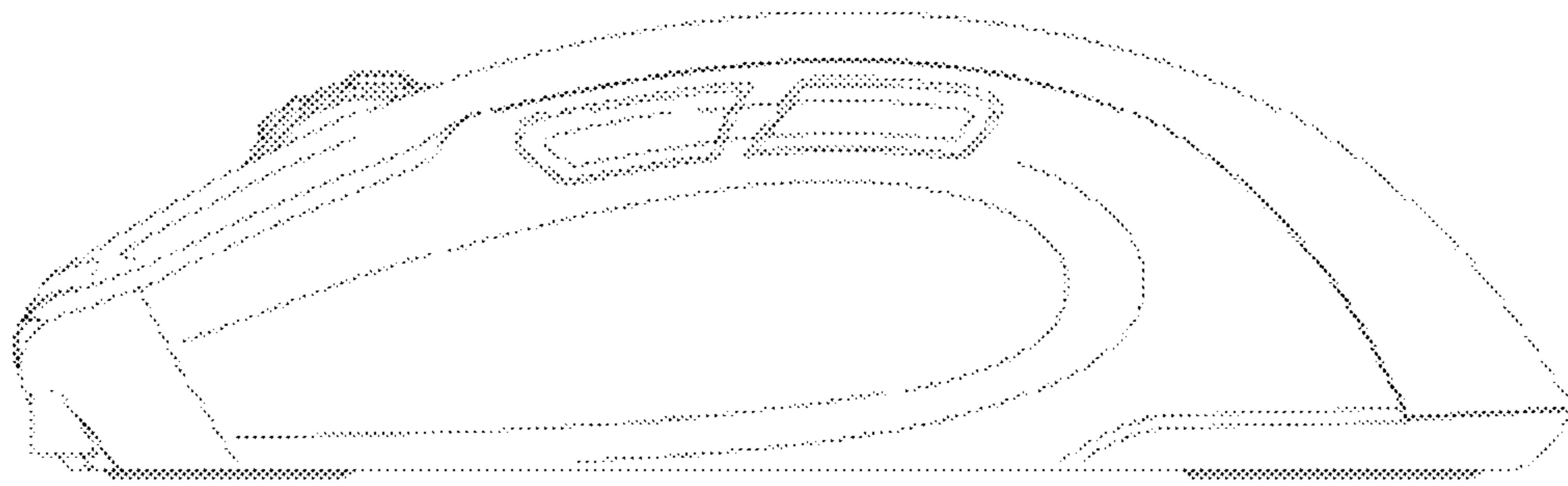


Fig. 3

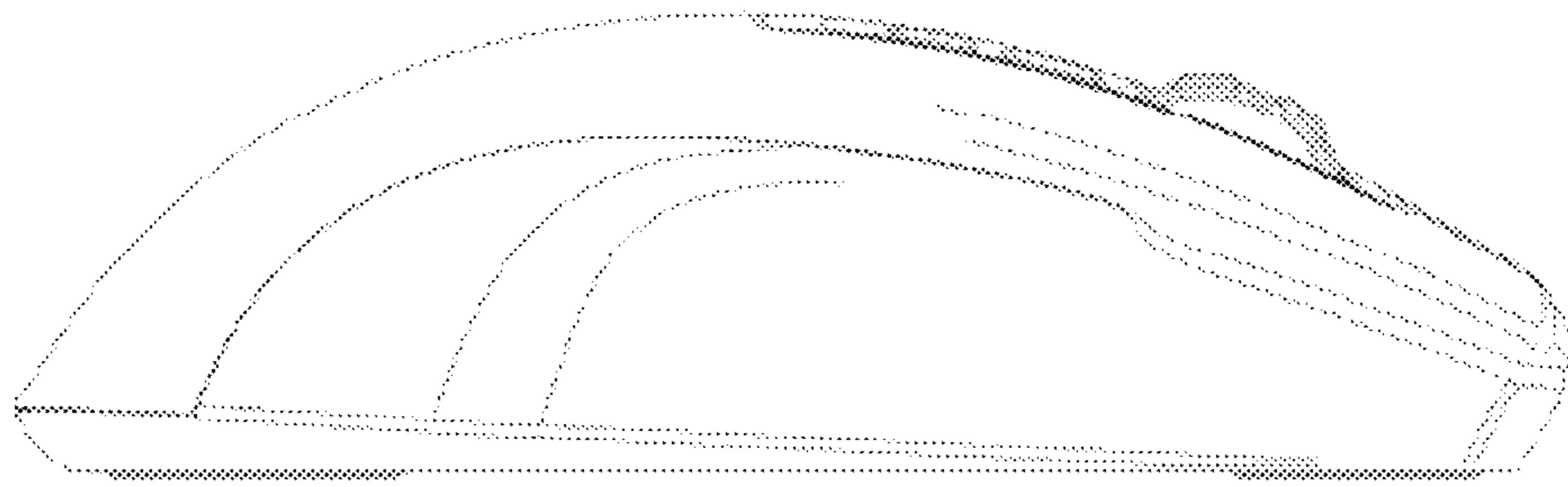


Fig. 4

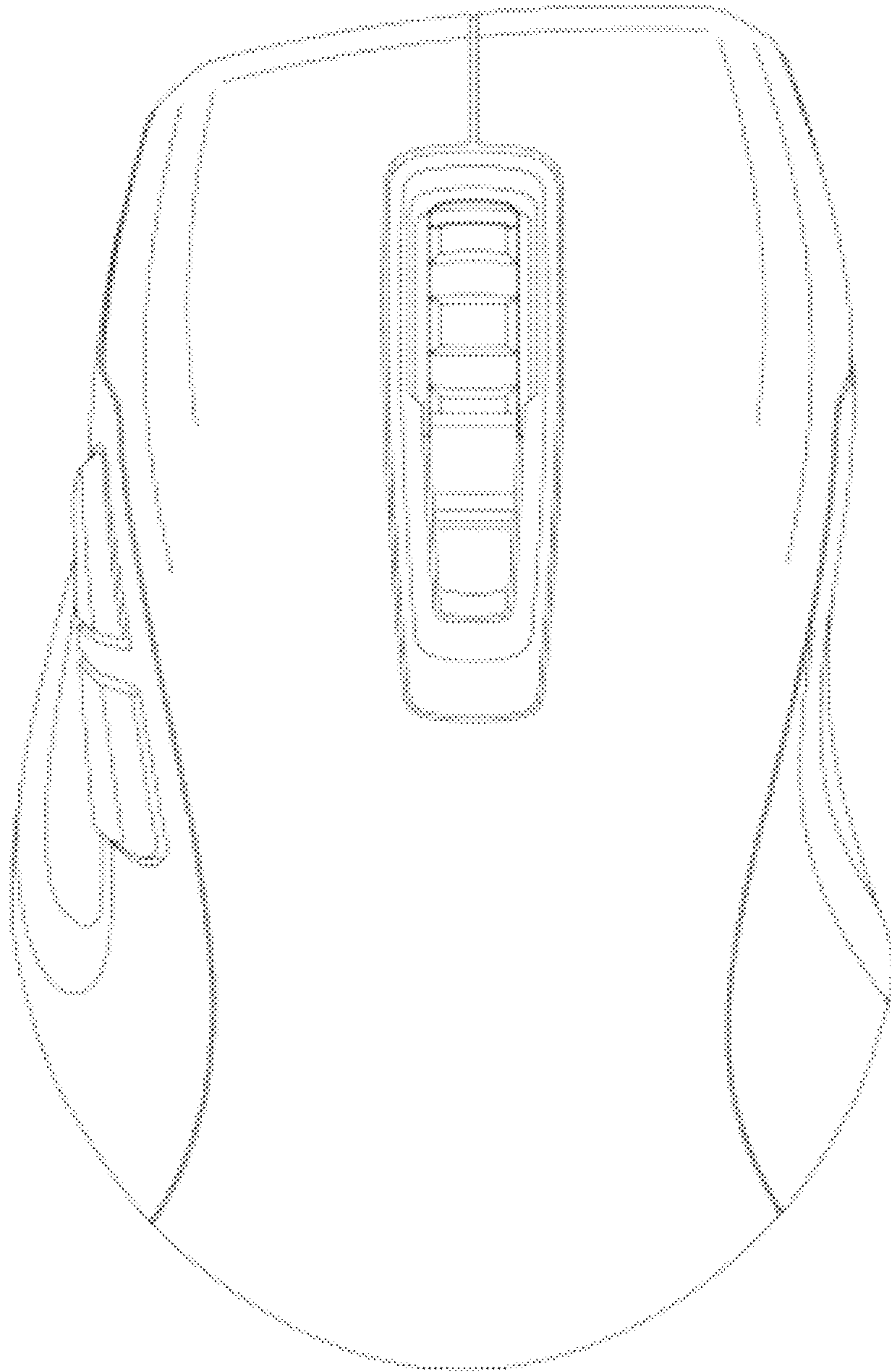


Fig. 5

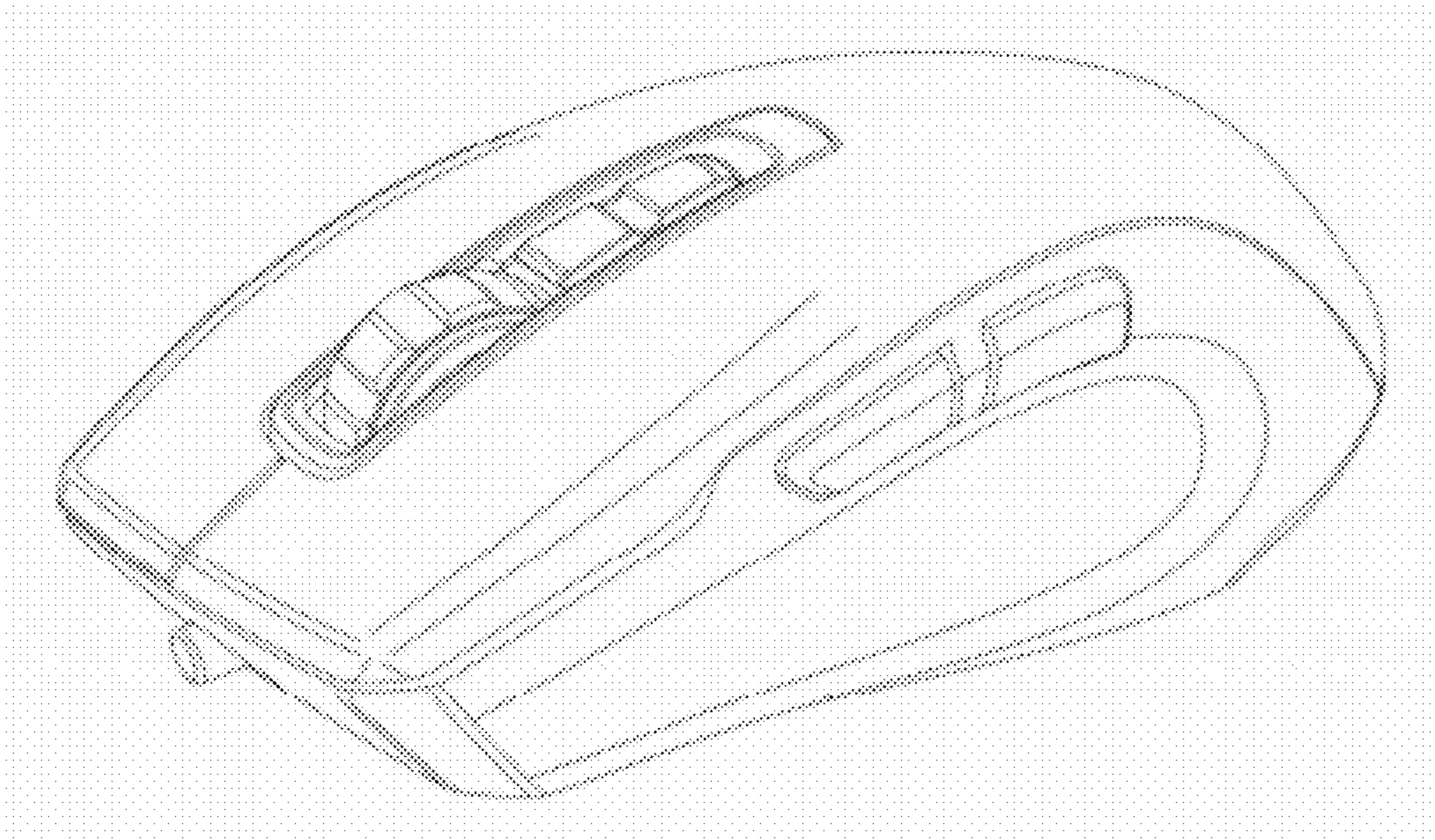


Fig. 6

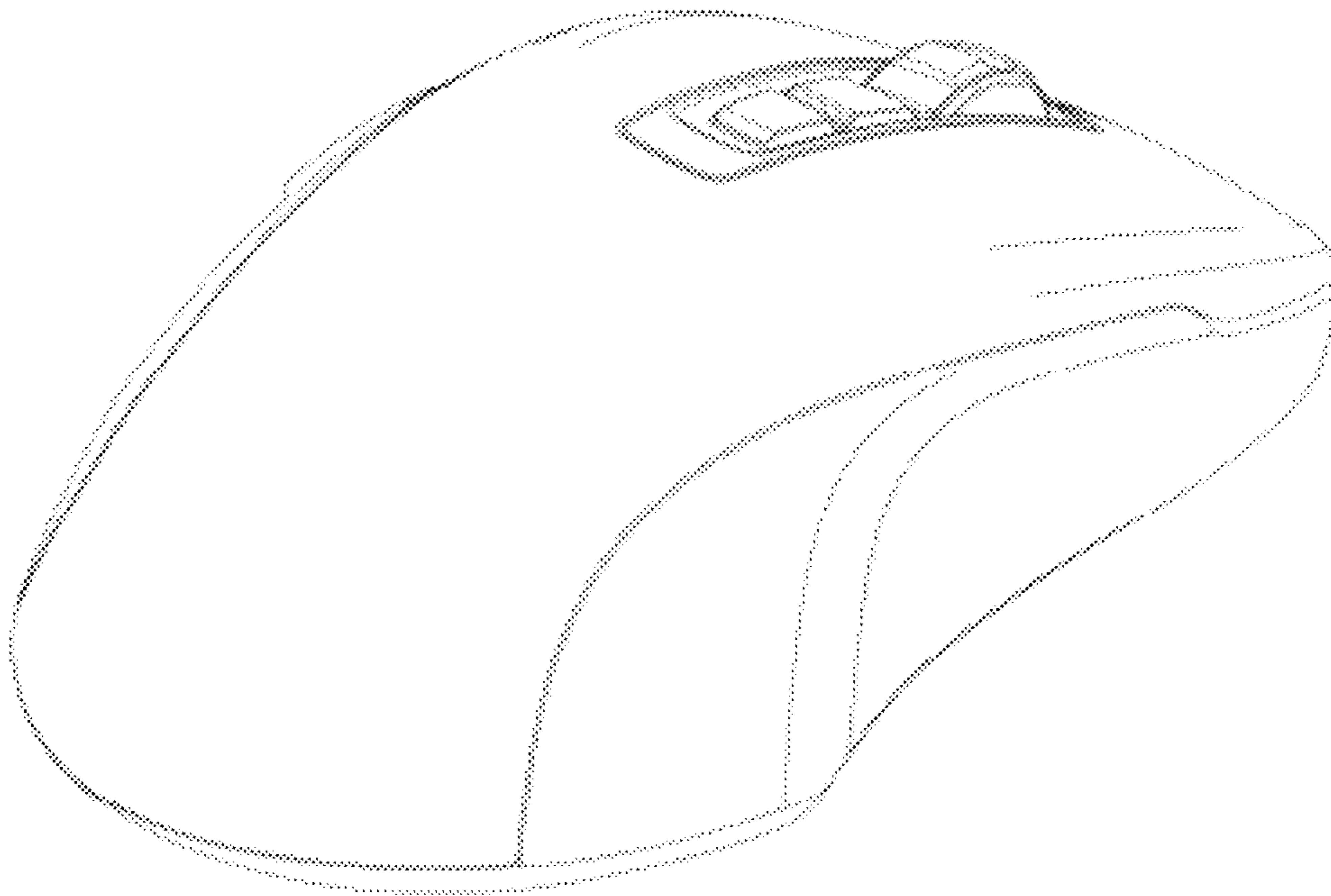


Fig. 7