



US00D665389S

(12) **United States Design Patent**
Lu et al.

(10) **Patent No.:** **US D665,389 S**
(45) **Date of Patent:** **** Aug. 14, 2012**

(54) **FLAT PANEL DISPLAY**

(75) Inventors: **Yen-Wen Lu**, Taipei (TW);
Chun-Hsiang Feng, Taipei (TW)

(73) Assignee: **Compal Electronics, Inc.**, Taipei (TW)

(**) Term: **14 Years**

(21) Appl. No.: **29/396,694**

(22) Filed: **Jul. 6, 2011**

(51) **LOC (9) Cl.** **14-02**

(52) **U.S. Cl.** **D14/374**

(58) **Field of Classification Search** D14/371–376,
D14/125–129, 336, 337, 306; D6/308, 311;
345/104, 156, 173, 174, 901–905; 348/180,
348/184, 325, 739; 361/679.08, 679.23;
349/1, 2, 11, 58; 248/917–924, 371; 341/12
See application file for complete search history.

(56) **References Cited**

U.S. PATENT DOCUMENTS

D464,049 S * 10/2002 Goto D14/374
D490,428 S * 5/2004 Chou D14/375
D591,287 S * 4/2009 Hwang D14/337

D597,978 S * 8/2009 Won et al. D14/126
D598,404 S * 8/2009 Arie et al. D14/126
D615,513 S * 5/2010 Yamaguchi et al. D14/126

* cited by examiner

Primary Examiner — Freda S Nunn

(74) *Attorney, Agent, or Firm* — Jianq Chyun IP Office

(57) **CLAIM**

The ornamental design for a flat panel display, as shown and described.

DESCRIPTION

FIG. 1 is a perspective view of a flat panel display showing our new design.

FIG. 2 is another perspective view thereof.

FIG. 3 is a front view thereof.

FIG. 4 is a rear view thereof.

FIG. 5 is a left side view thereof, the right side view being a mirror image of the left side view.

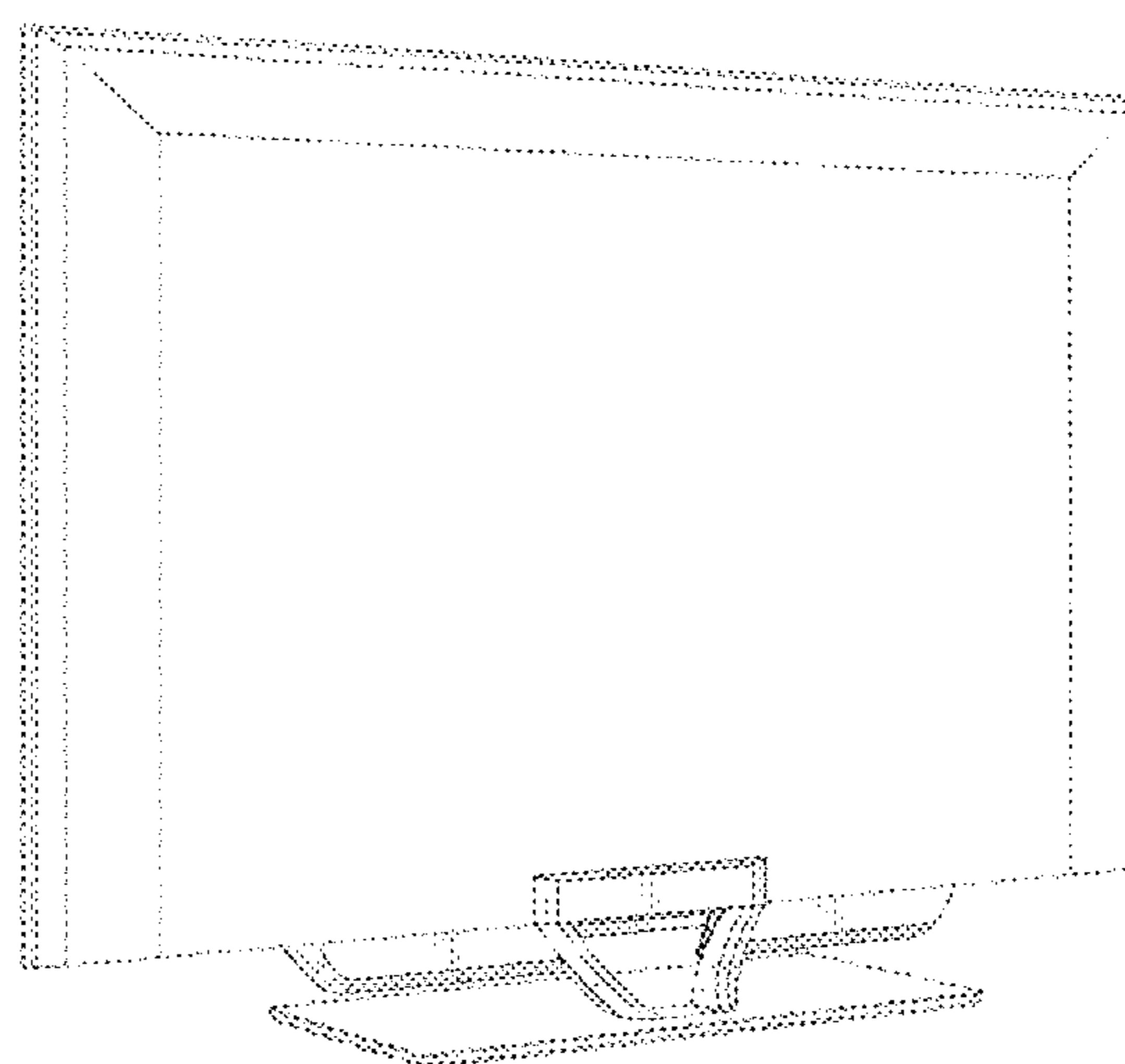
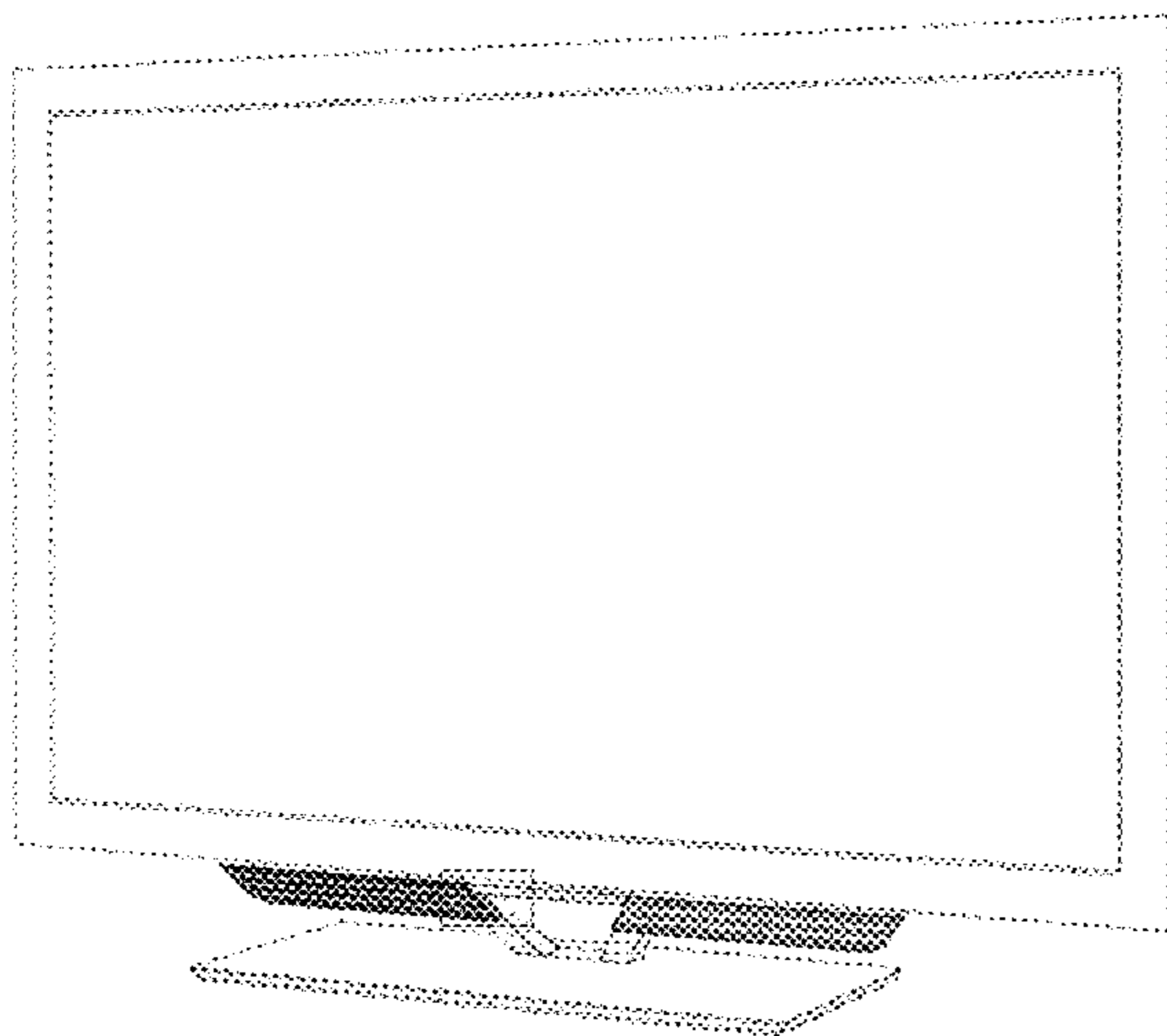
FIG. 6 is a top view thereof.

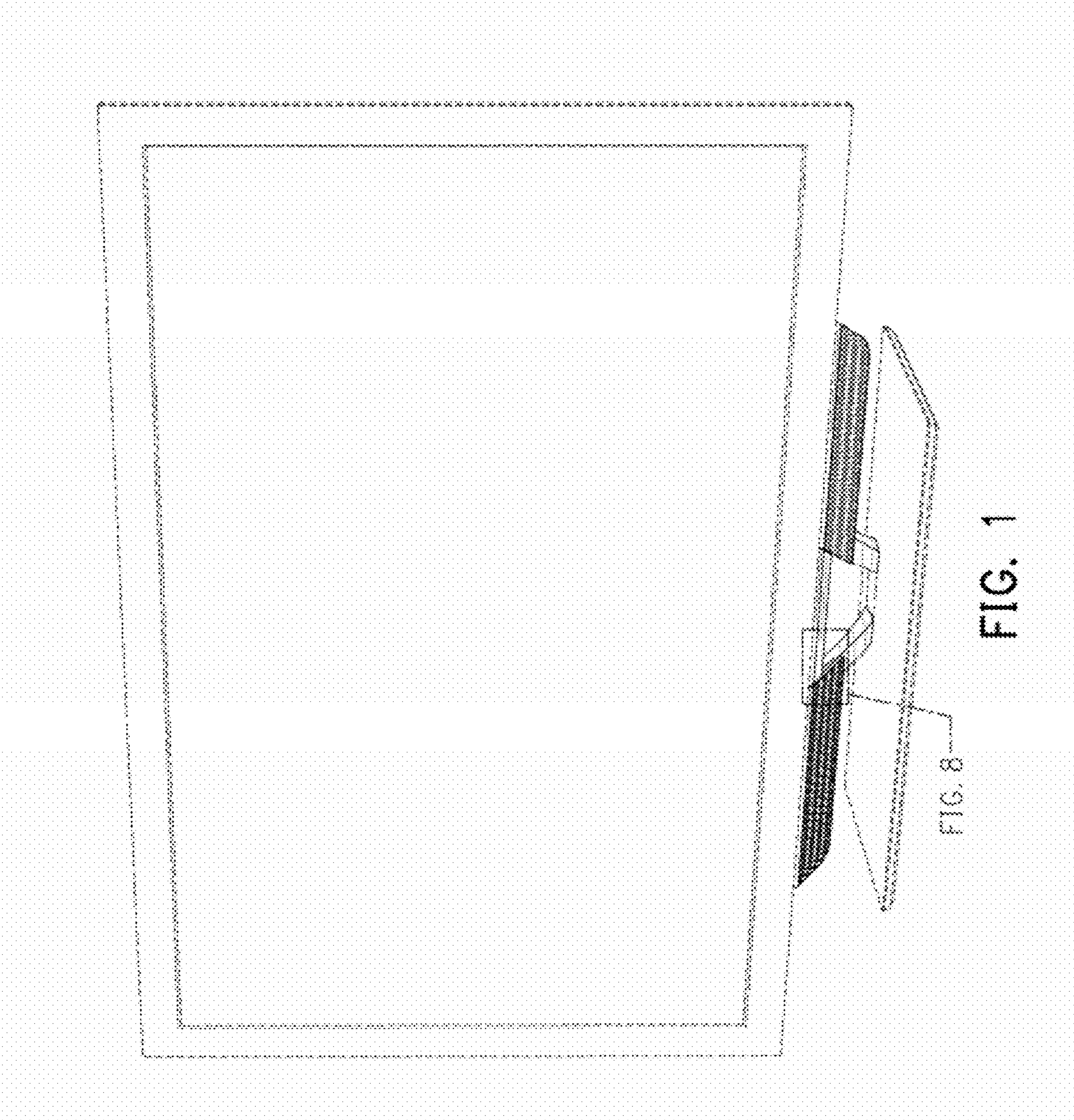
FIG. 7 is a bottom view thereof; and,

FIG. 8 is an enlarged view of another indicated portion of FIG. 1.

The broken lines shown in the drawings are for illustrative purposes only and form no part of the claimed design.

1 Claim, 7 Drawing Sheets





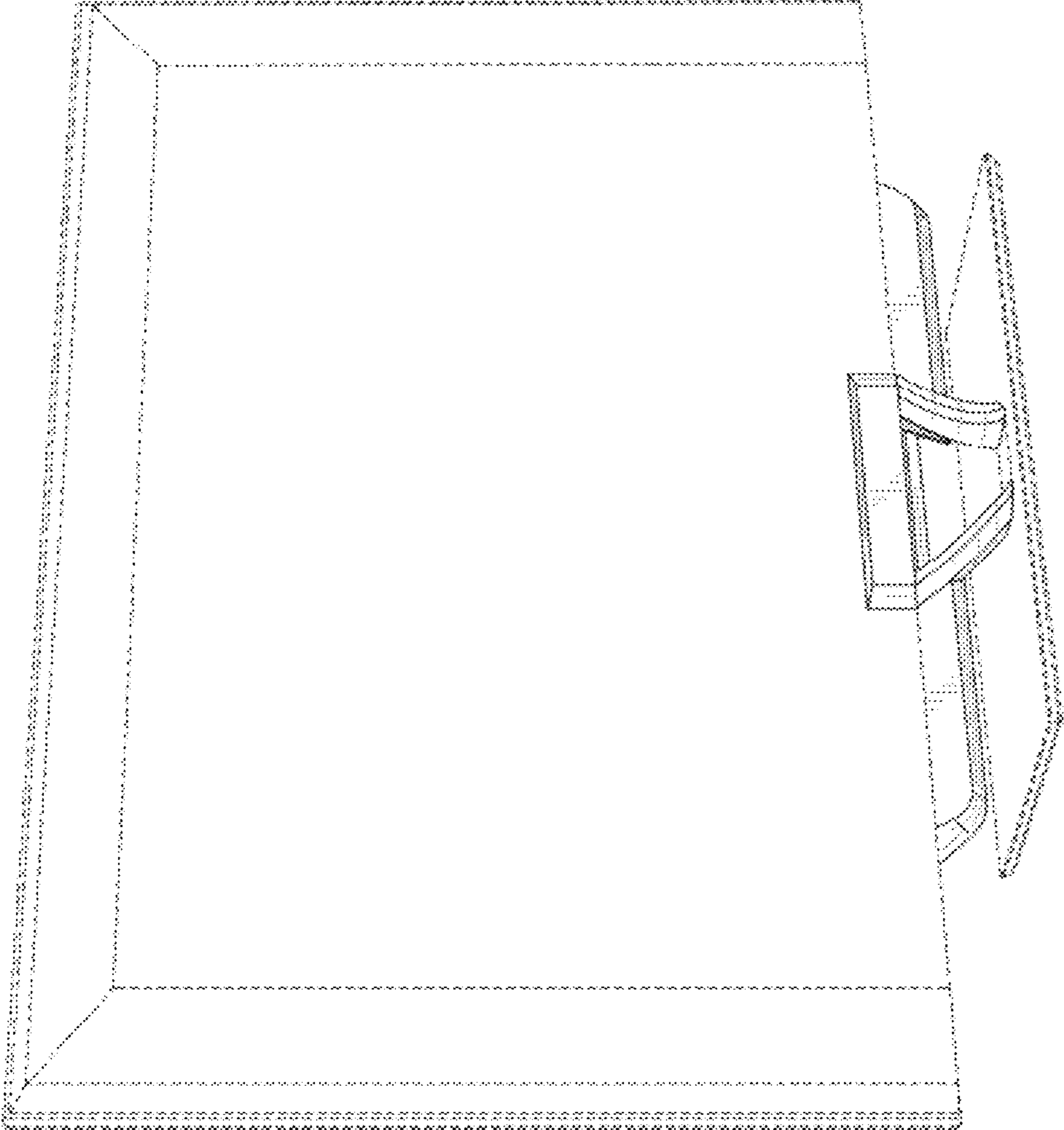


FIG. 2

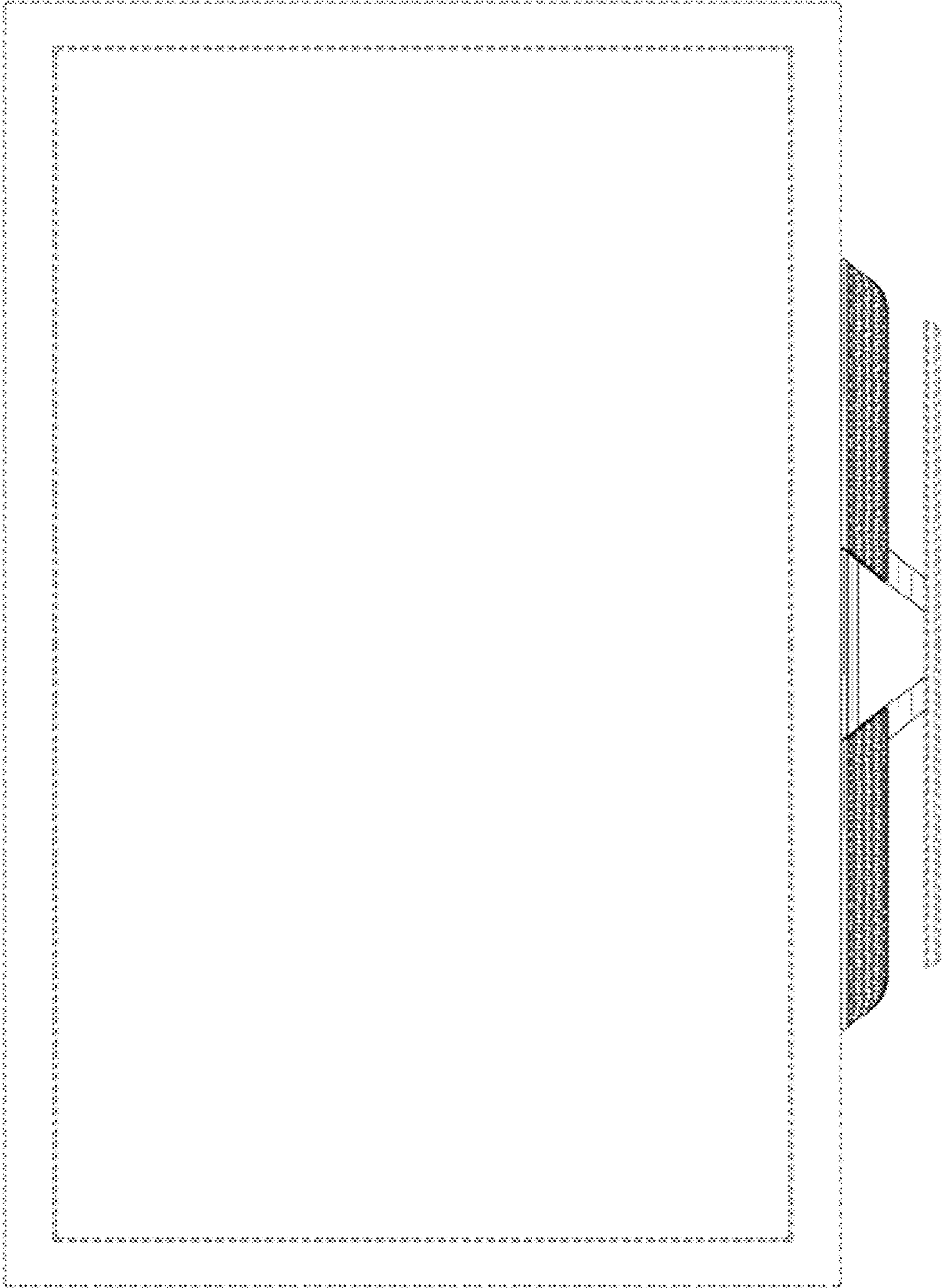


FIG. 3

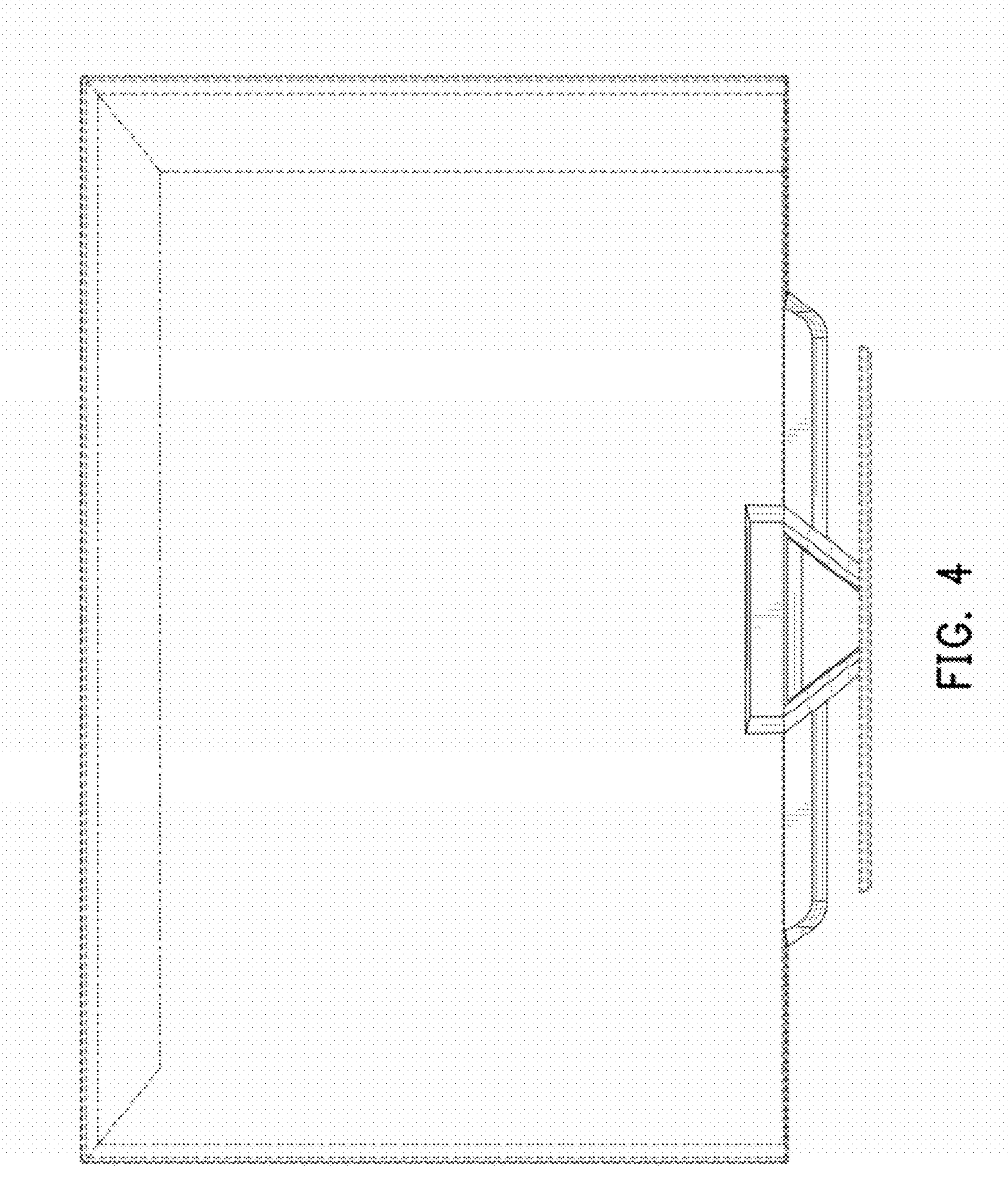


FIG. 4

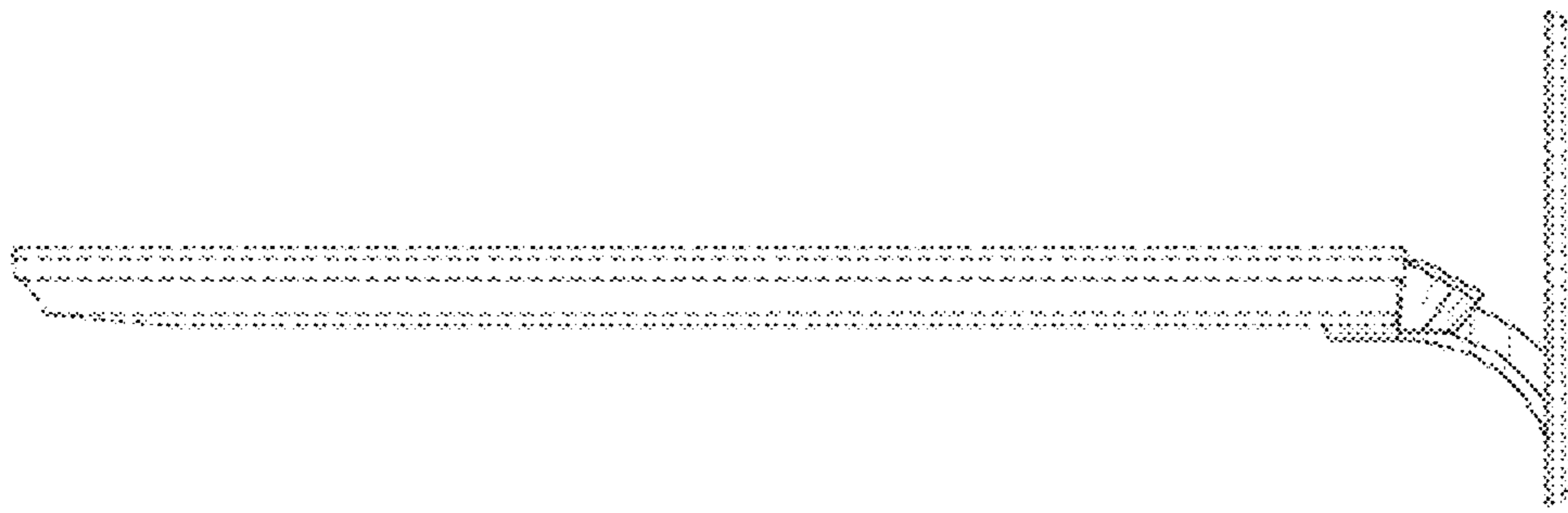


FIG. 5

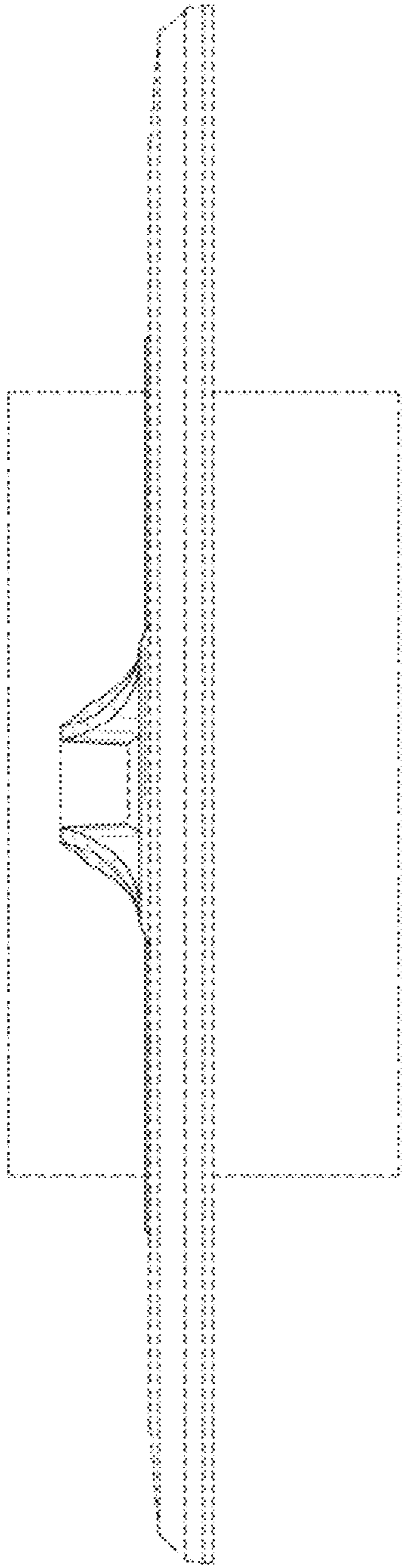


FIG. 6



FIG. 7

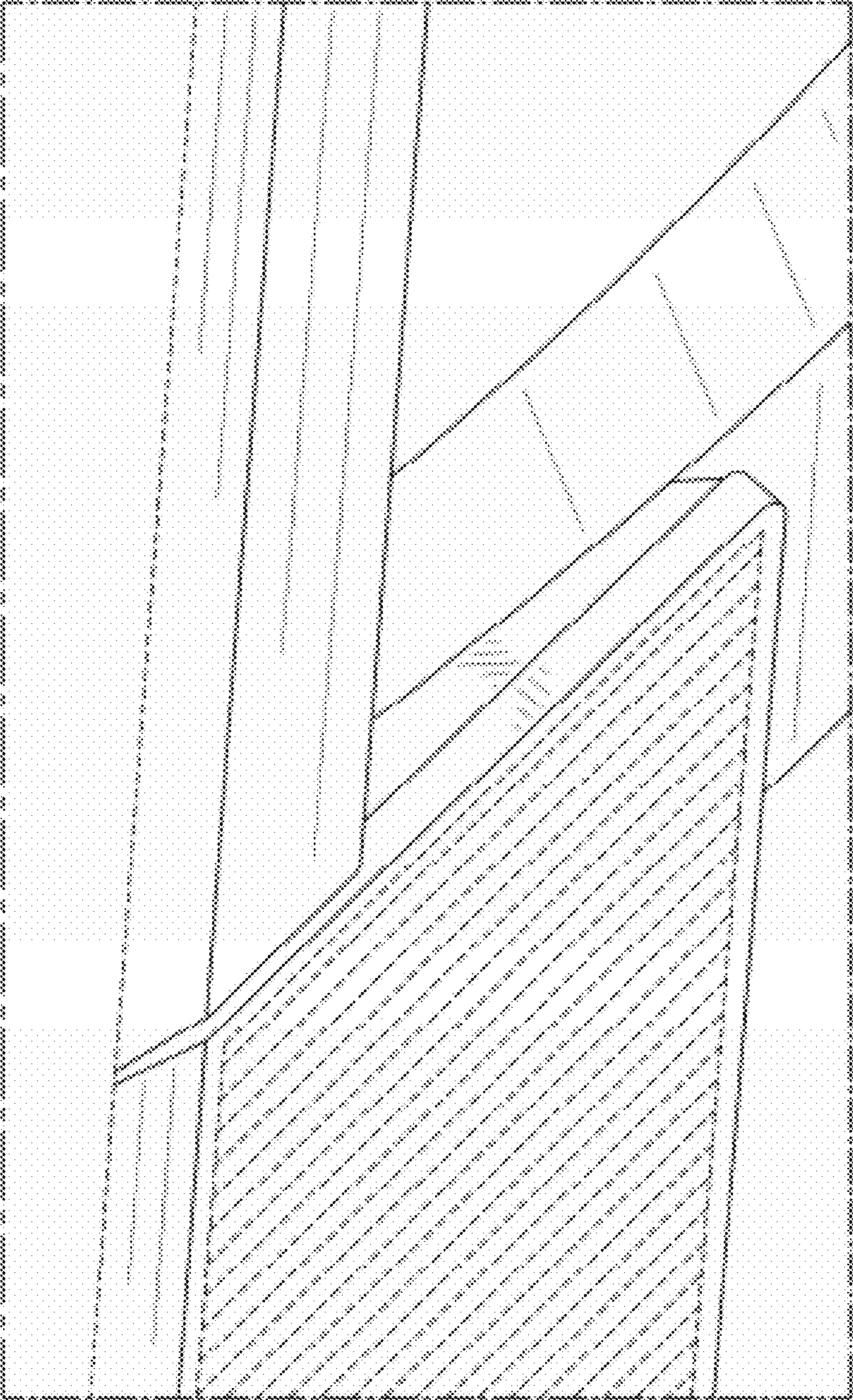


FIG. 8