



US00D665388S

(12) **United States Design Patent**
Li et al.

(10) **Patent No.:** **US D665,388 S**

(45) **Date of Patent:** **** Aug. 14, 2012**

(54) **NOTEBOOK COMPUTER**

(75) Inventors: **Jian Li**, Shenzhen (CN); **Jin-Xin Wang**,
Shenzhen (CN); **Tang Li**, Shenzhen
(CN)

(73) Assignee: **Hon Hai Precision Industry Co., Ltd.**,
Tu-Cheng, New Taipei (TW)

(**) Term: **14 Years**

(21) Appl. No.: **29/398,242**

(22) Filed: **Jul. 28, 2011**

(51) **LOC (9) Cl.** **14-02**

(52) **U.S. Cl.** **D14/327**

(58) **Field of Classification Search** D14/315-328;
D18/1, 2, 7, 11; 235/145 A, 145 R; 341/22,
341/23; 345/104, 156, 168, 169, 173, 87,
345/901-905; 361/679.08-679.18, 679.27;
400/486, 489; D19/26

See application file for complete search history.

(56) **References Cited**

U.S. PATENT DOCUMENTS

6,714,403 B2 * 3/2004 Furuki et al. 361/679.09
D519,500 S * 4/2006 Maskatia et al. D14/318
D519,559 S * 4/2006 Mehta D19/26
D621,827 S * 8/2010 Cheng et al. D14/327
D626,124 S * 10/2010 Chyan et al. D14/341

D626,547 S * 11/2010 Li et al. D14/316
D638,833 S * 5/2011 Chuang D14/315
2010/0149104 A1 * 6/2010 Sim et al. 345/169

* cited by examiner

Primary Examiner — Freda S Nunn

(74) *Attorney, Agent, or Firm* — Altis Law Group, Inc.

(57) **CLAIM**

The ornamental design for a notebook computer, as shown and described.

DESCRIPTION

FIG. 1 is a perspective view of a notebook computer showing our design.

FIG. 2 is a front elevational view thereof.

FIG. 3 is a rear elevational view thereof

FIG. 4 is a left-side elevational view thereof.

FIG. 5 is a right-side elevational view thereof.

FIG. 6 is a top plan view thereof.

FIG. 7 is a bottom plan view thereof.

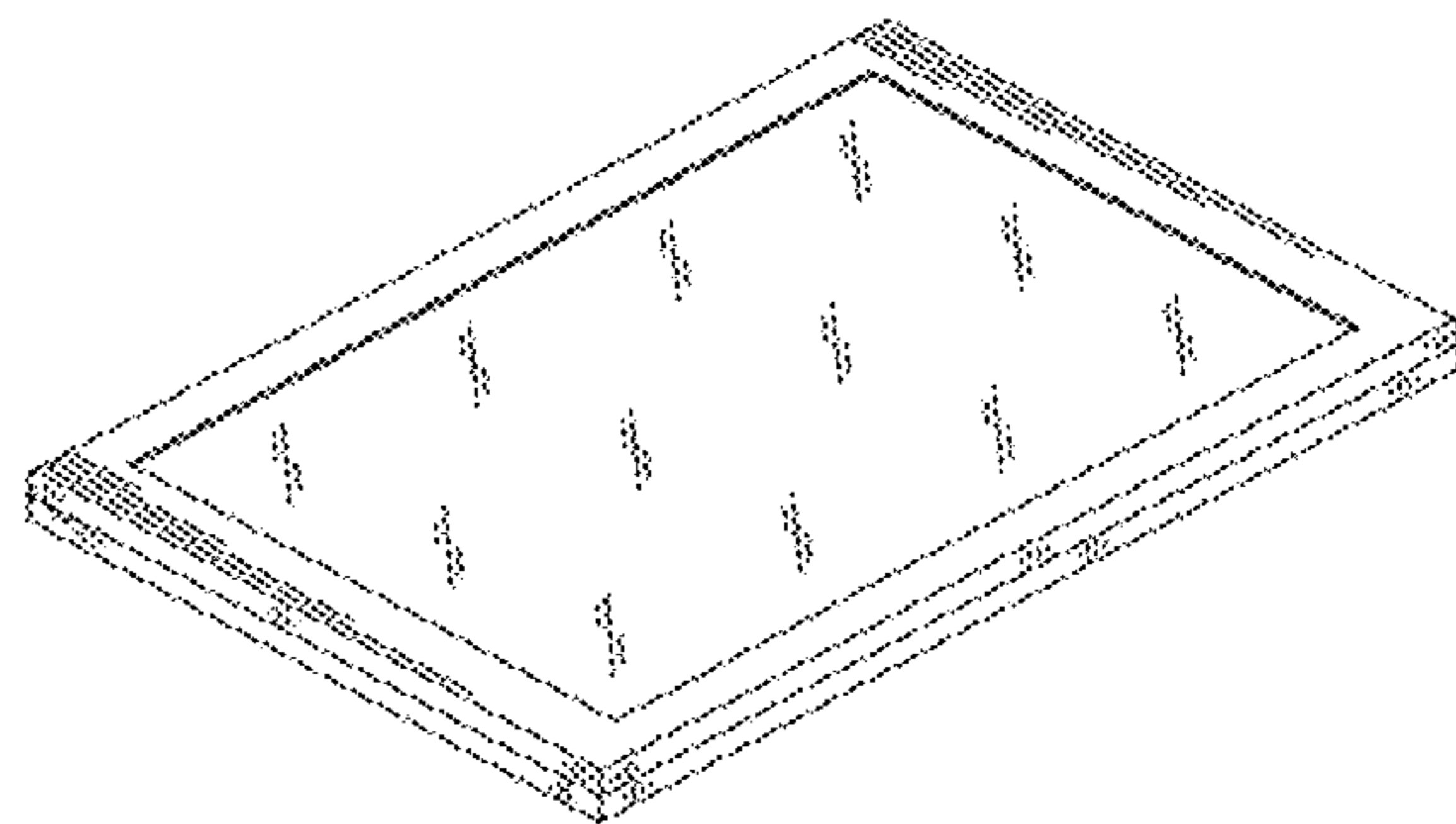
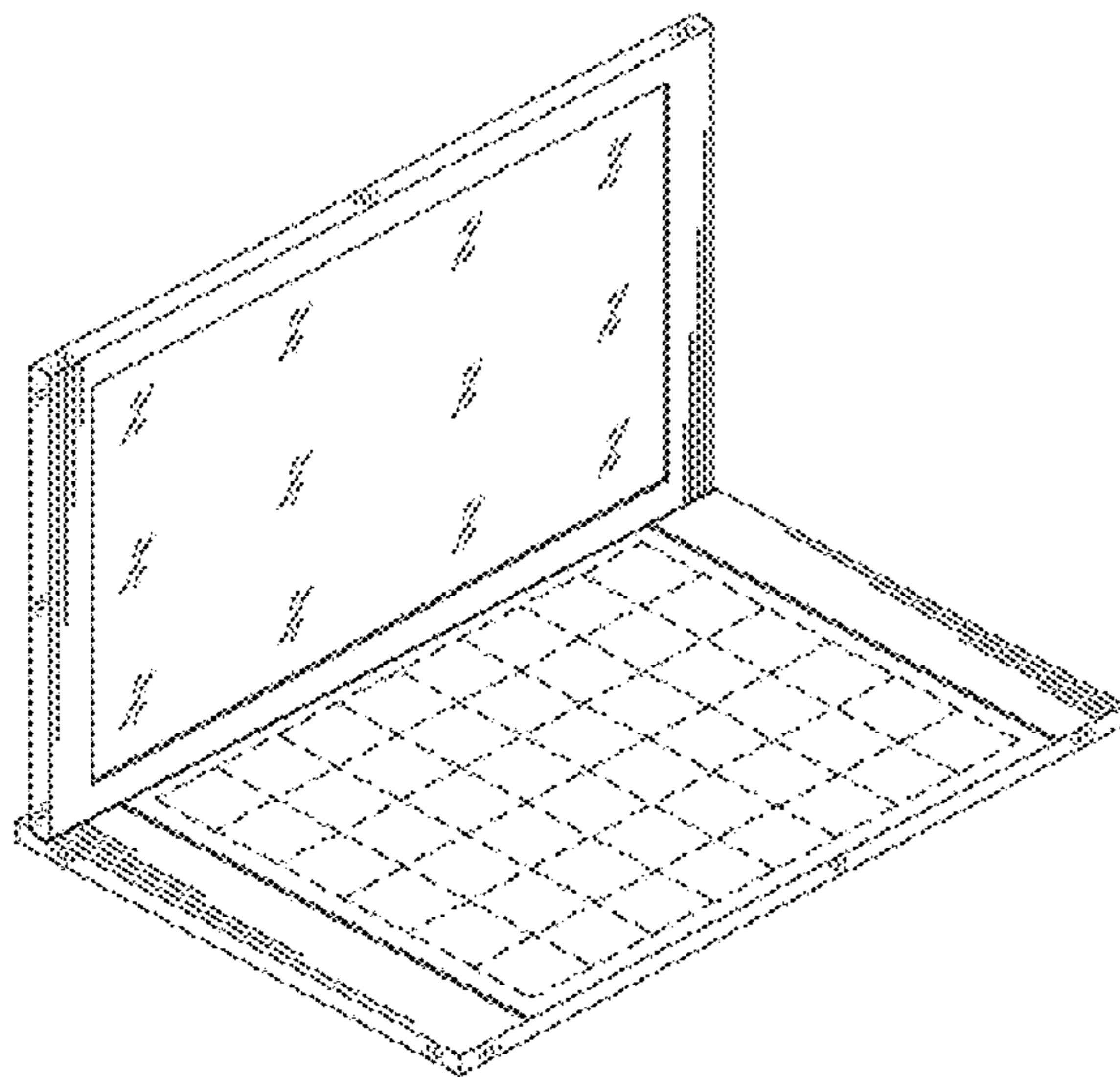
FIG. 8 shows a first operating state of the notebook computer of FIG. 1.

FIG. 9 shows a second operating state of the notebook computer of FIG. 1; and,

FIG. 10 shows a third operating state of the notebook computer of FIG. 1.

Broken lines shown in the drawings illustrate portions of the notebook computer, and form no part of the claimed design.

1 Claim, 10 Drawing Sheets



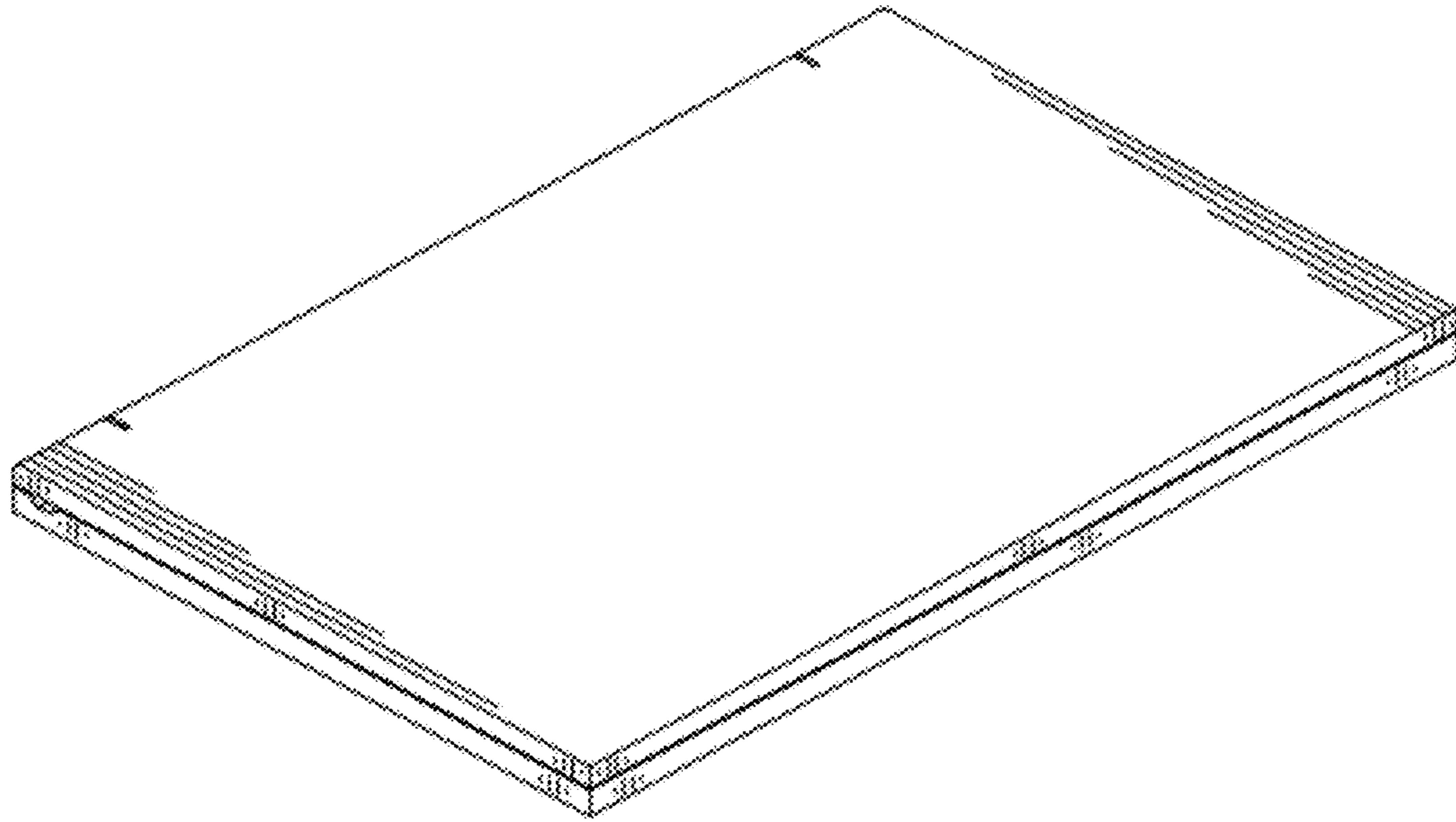


FIG. 1

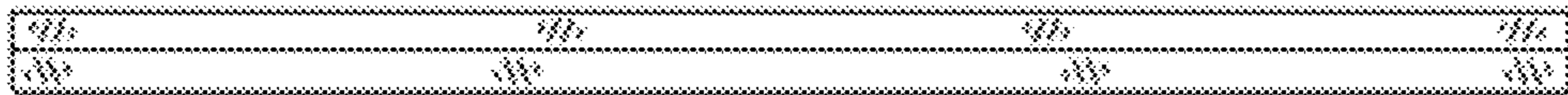


FIG. 2



FIG. 3



FIG. 4



FIG. 5



FIG. 6



FIG. 7

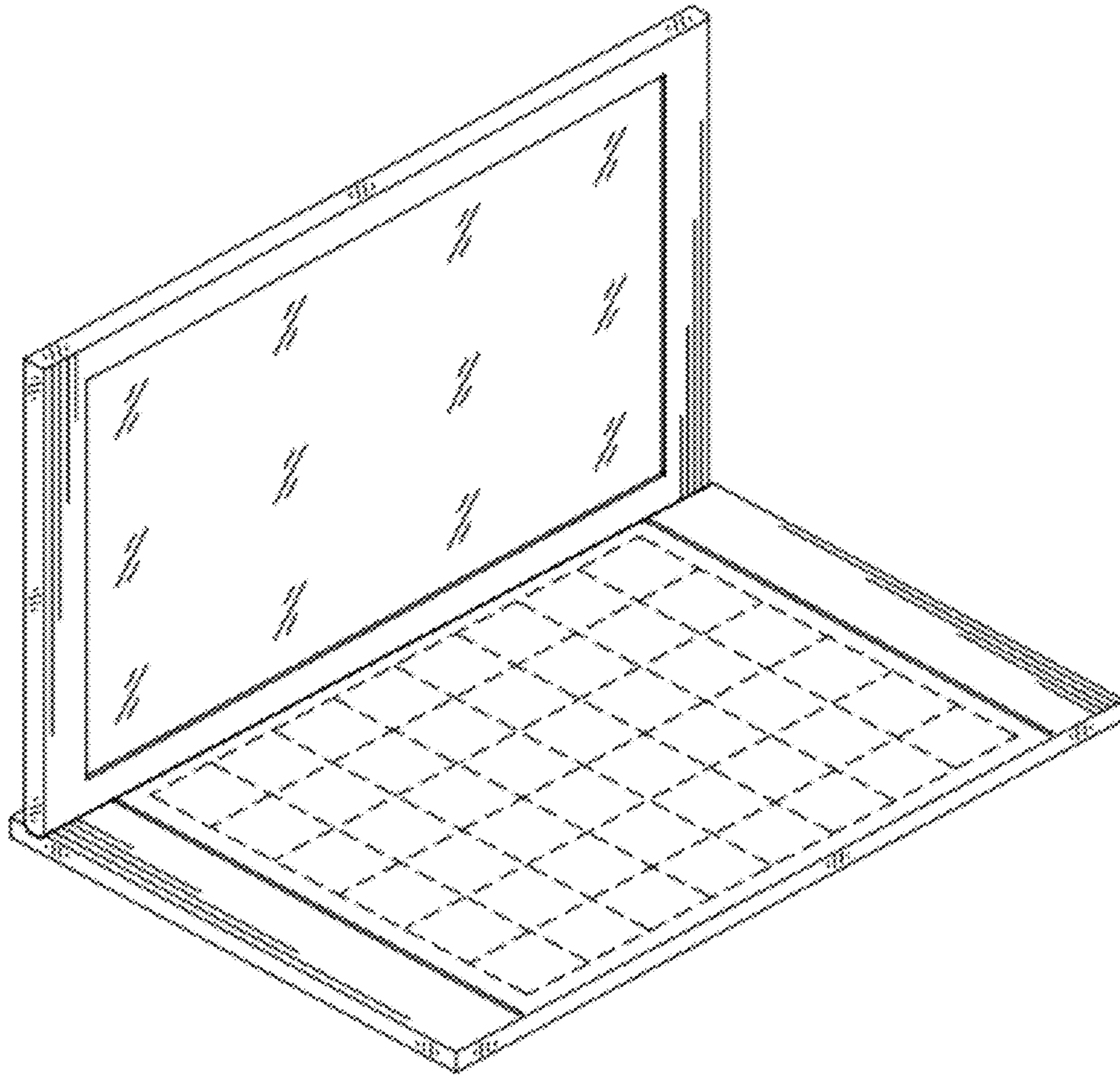


FIG. 8

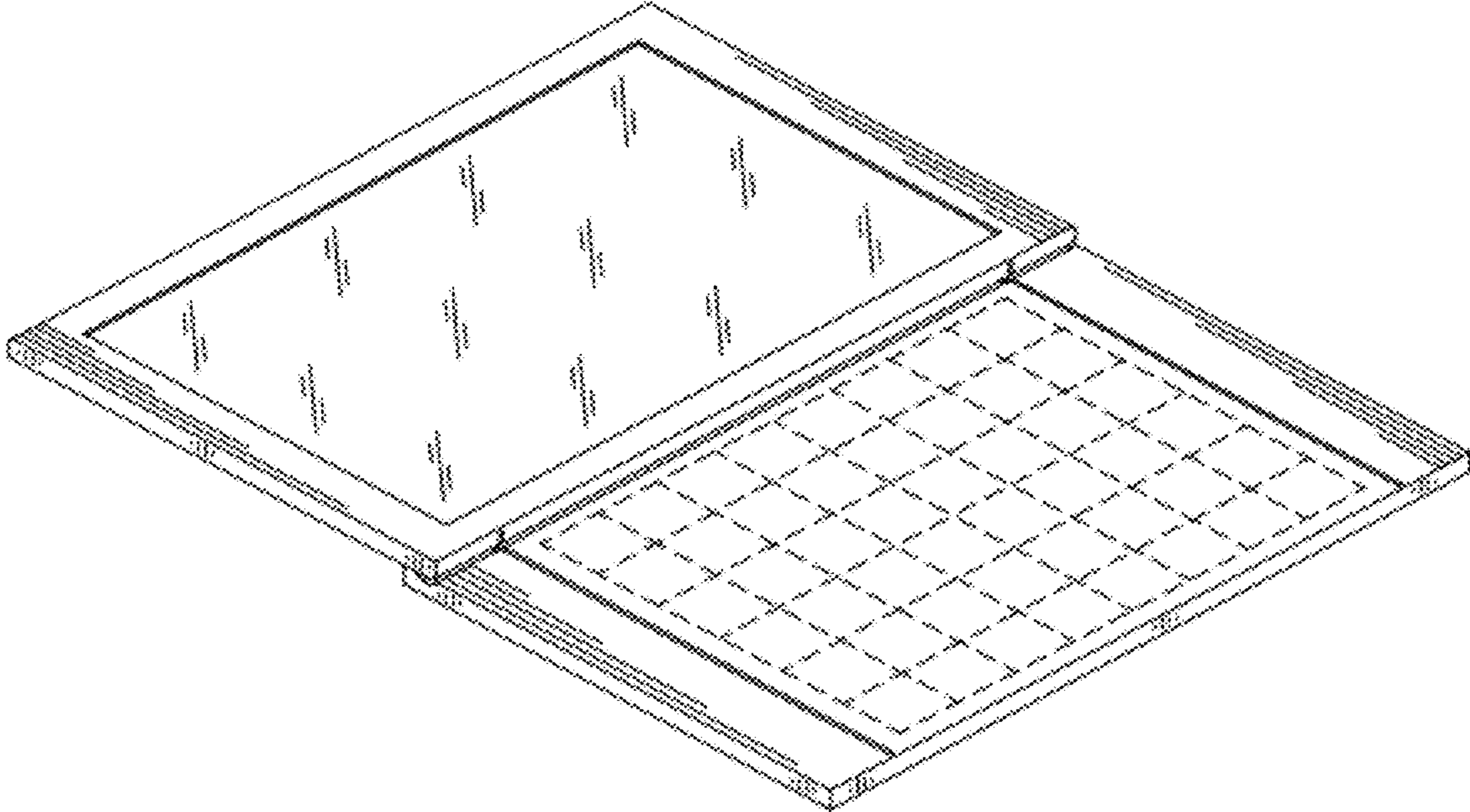


FIG. 9

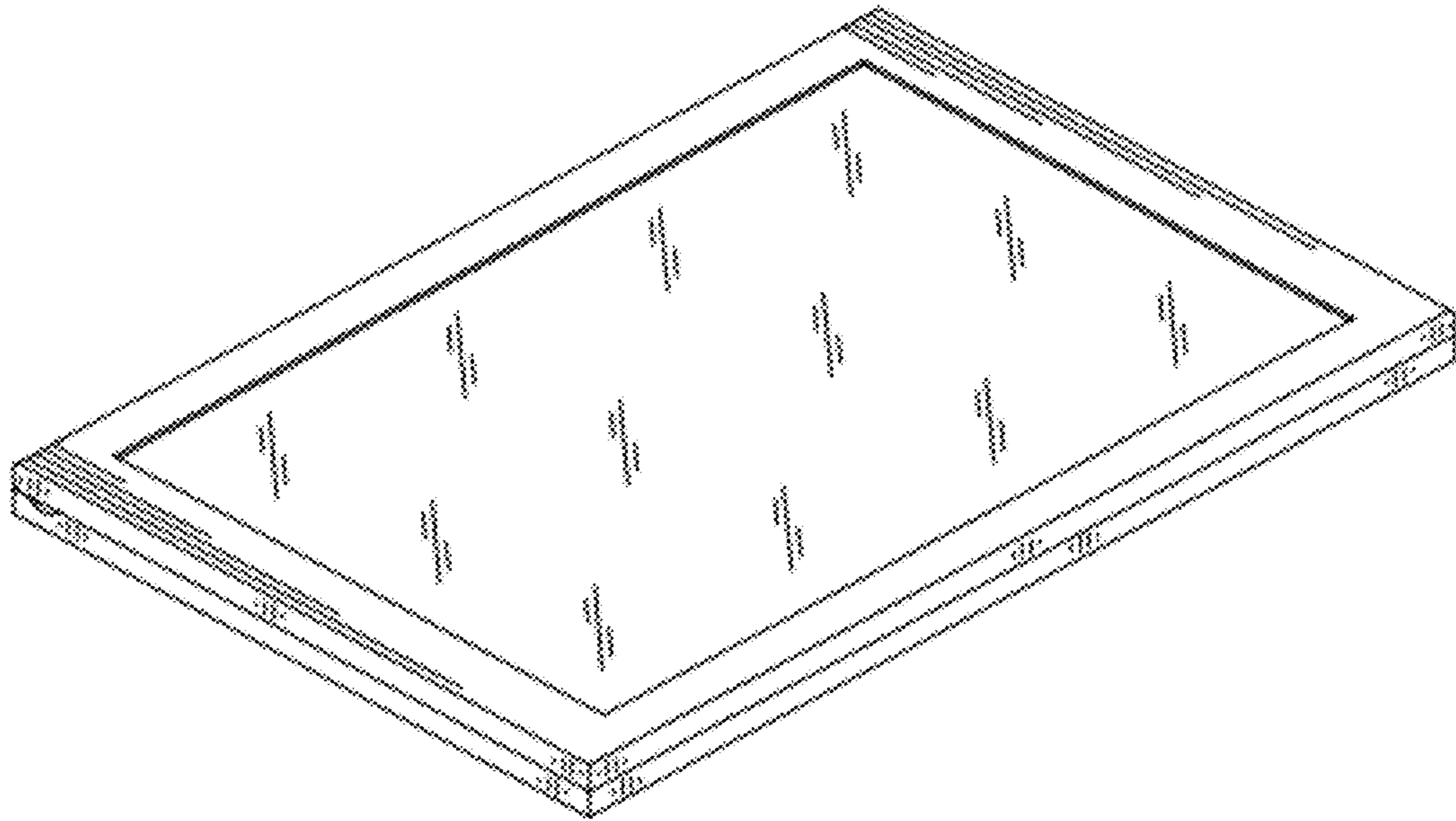


FIG. 10