

US00D665385S

(12) **United States Design Patent**
Conrad et al.

(10) **Patent No.:** **US D665,385 S**
(45) **Date of Patent:** **** Aug. 14, 2012**

(54) **DIGITAL TELEVISION ANTENNA**
(75) Inventors: **Timothy John Conrad**, Mt. Pleasant, IA (US); **Joshua Richard Gallerick**, Mt. Pleasant, IA (US)

D558,189 S * 12/2007 Inoue D14/230
7,486,249 B2 * 2/2009 Fujita et al. 343/795
D590,816 S * 4/2009 Chao D14/230
D612,370 S 3/2010 Suleiman
D612,371 S 3/2010 Suleiman
D623,175 S 9/2010 Suleiman et al.
2005/0040994 A1 * 2/2005 Mazoki et al. 343/809

(73) Assignee: **Winegard Company**, Burlington, IA (US)

* cited by examiner

(**) Term: **14 Years**

Primary Examiner — Celia Murphy

Assistant Examiner — John Windmuller

(21) Appl. No.: **29/405,149**

(74) *Attorney, Agent, or Firm* — W. Scott Carson

(22) Filed: **Oct. 28, 2011**

(51) **LOC (9) Cl.** **14-03**

(52) **U.S. Cl.** **D14/230**

(58) **Field of Classification Search** D14/138,
D14/230-238, 299, 358; D12/42, 43; 343/700 MS,
343/700 R-705, 711-713, 735, 736, 741,
343/748, 767, 795, 819, 840, 846, 866, 871-908;
455/90.2, 90.3, 91, 128, 269, 344, 347, 562.1;
333/193, 195

See application file for complete search history.

(56) **References Cited**

U.S. PATENT DOCUMENTS

D211,179 S * 5/1968 Rosenbery et al. D14/234
6,323,821 B1 * 11/2001 McLean 343/795
D468,302 S * 1/2003 Sato D14/235

(57) **CLAIM**

The ornamental design for a digital television antenna, as shown and described.

DESCRIPTION

FIG. 1 is a front elevational view of a digital television antenna showing our new design wherein the shaded surfaces are coplanar with their immediate borders.

FIG. 2 is a right side view thereof;

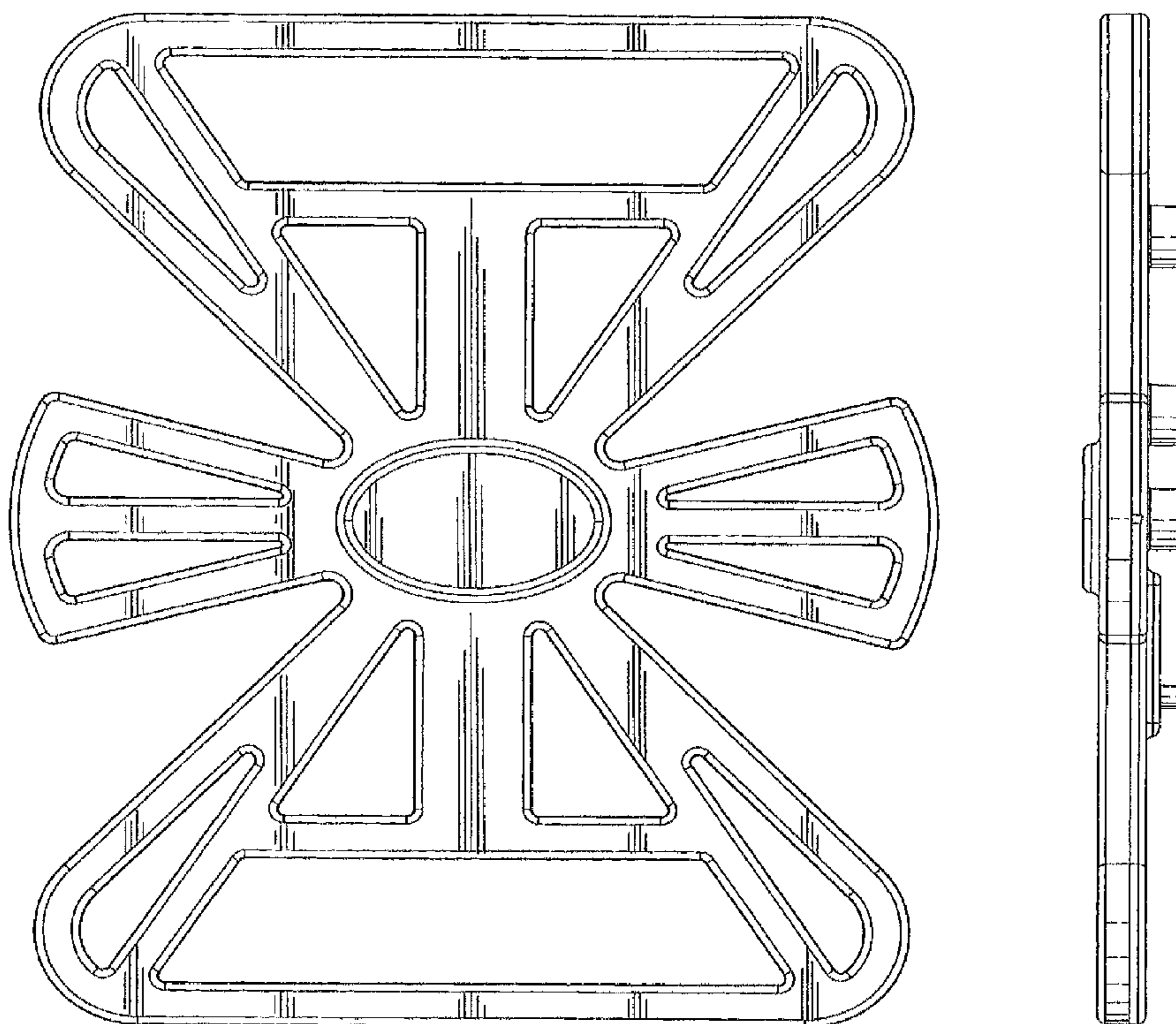
FIG. 3 is a left side view thereof;

FIG. 4 is a top plan view thereof;

FIG. 5 is a bottom plan view thereof; and,

FIG. 6 is a rear elevational view thereof wherein the shaded surfaces are coplanar with their immediate borders. The broken line showing is of attachment points and forms no part of the claimed design.

1 Claim, 4 Drawing Sheets



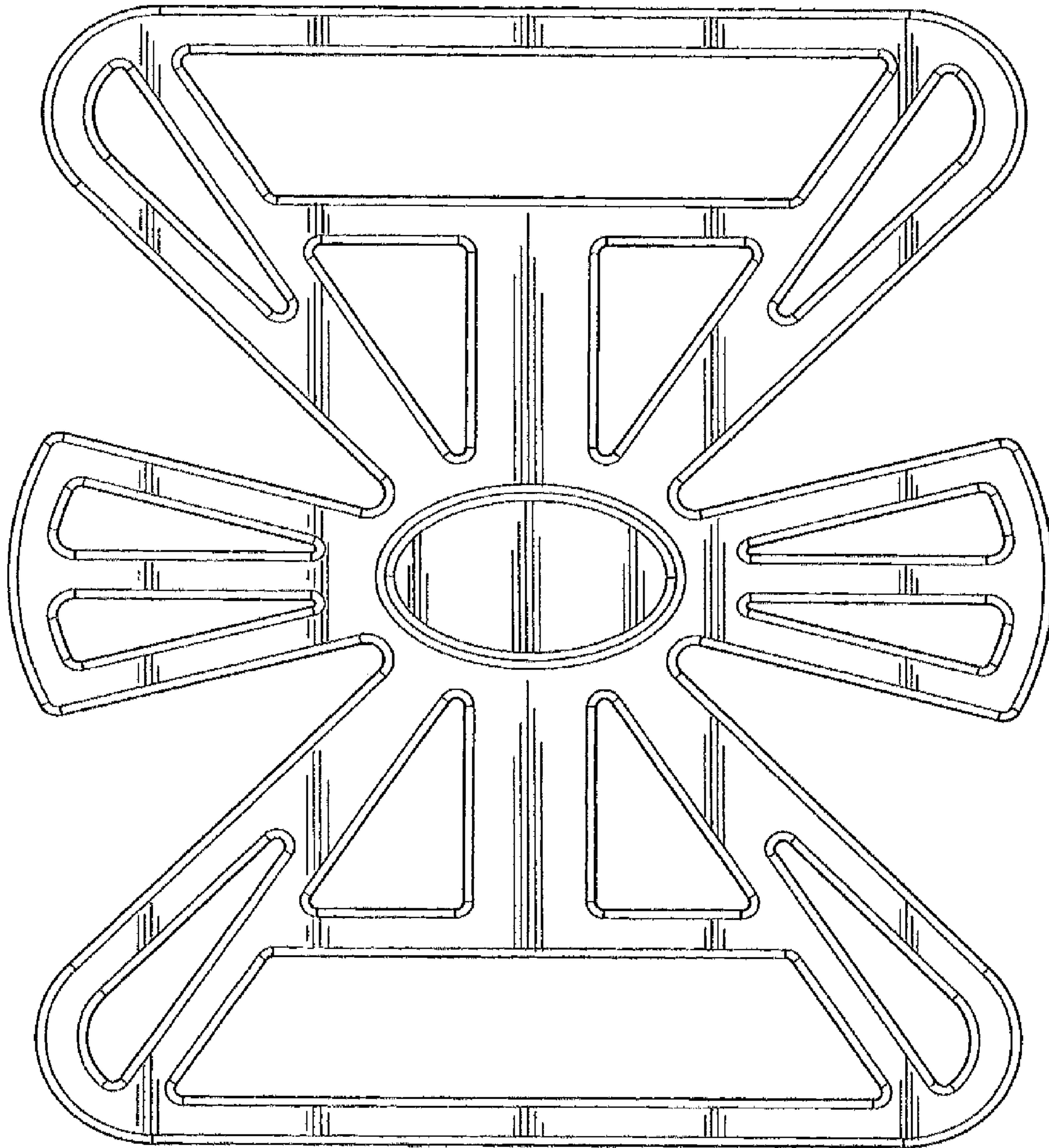


Fig. 1

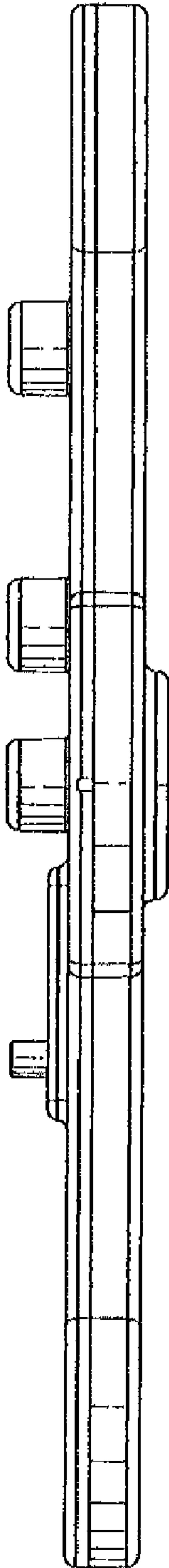


Fig. 2

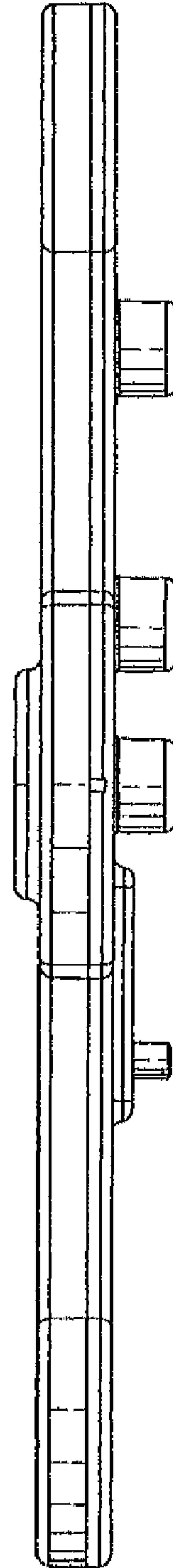


Fig. 3

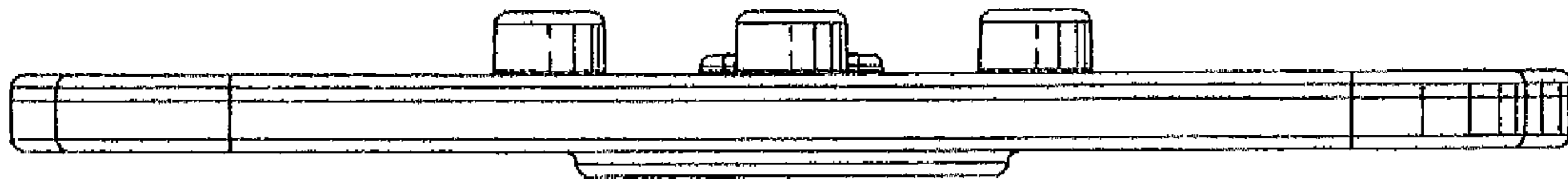


Fig. 4

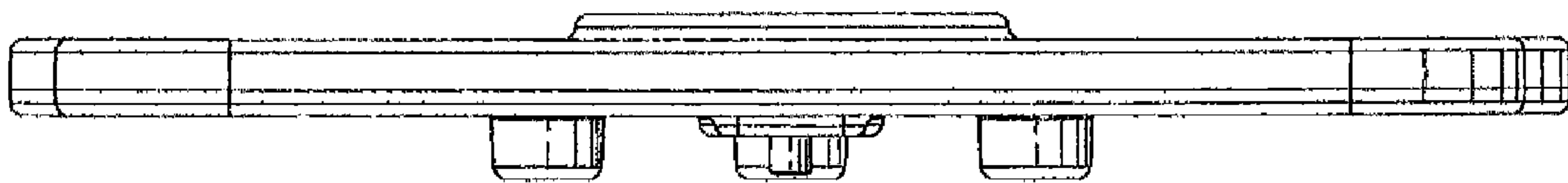


Fig. 5

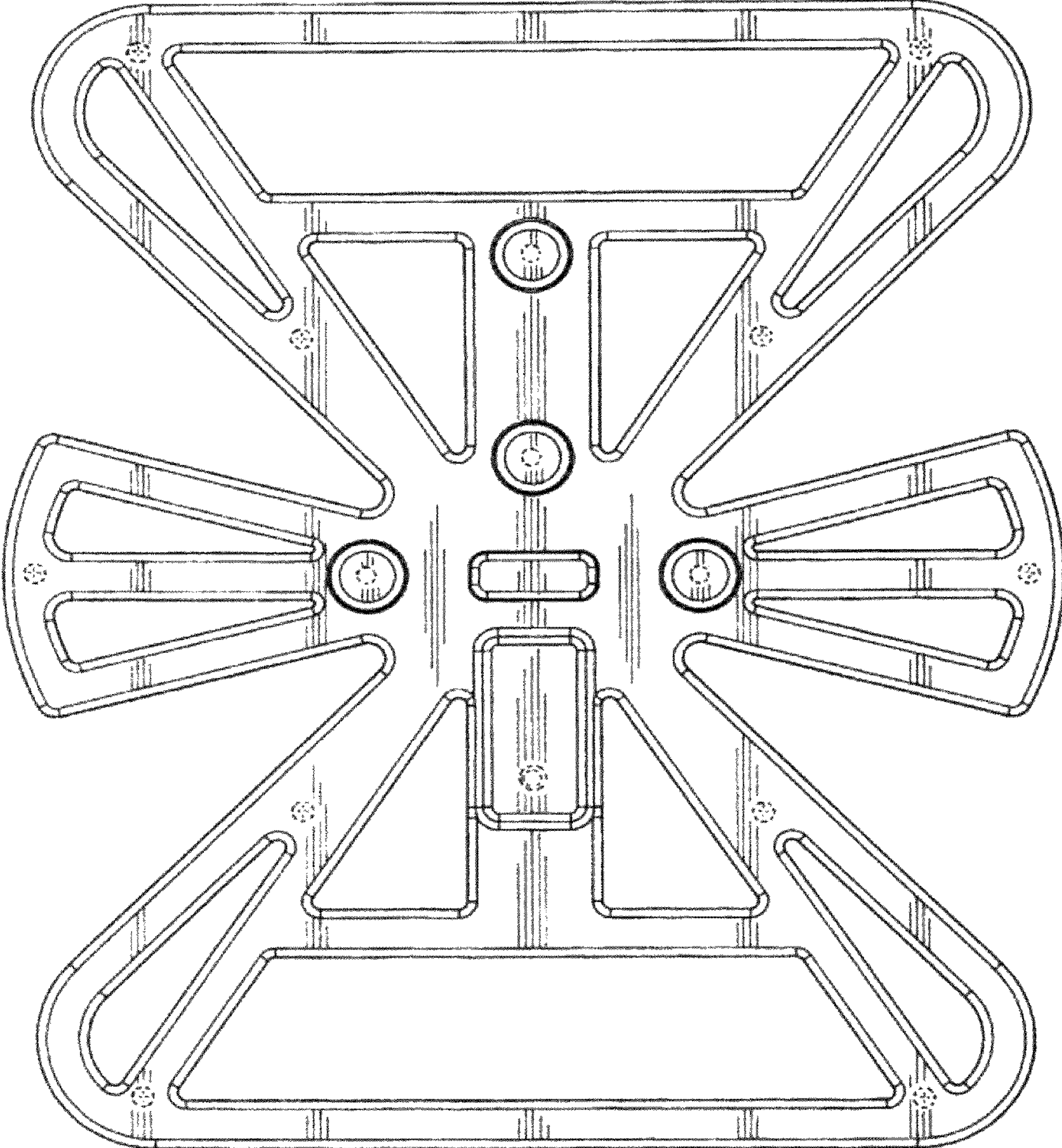


Fig 6