



US00D665381S

(12) **United States Design Patent**
Akana et al.

(10) **Patent No.:** **US D665,381 S**
(45) **Date of Patent:** **** Aug. 14, 2012**

(54) **DOCK INSERT**

(75) Inventors: **Jody Akana**, San Francisco, CA (US);
Bartley K. Andre, Menlo Park, CA (US);
Jeremy Bataillou, San Francisco, CA (US);
Daniel J. Coster, San Francisco, CA (US);
Daniele De Iuliis, San Francisco, CA (US);
Evans Hankey, San Francisco, CA (US);
Richard P. Howarth, San Francisco, CA (US);
Jonathan P. Ive, San Francisco, CA (US);
Duncan Robert Kerr, San Francisco, CA (US);
Shin Nishibori, Portola Valley, CA (US);
Matthew Dean Rohrbach, San Francisco, CA (US);
Peter Russell-Clarke, San Francisco, CA (US);
Christopher J. Stringer, Woodside, CA (US);
Eugene Antony Whang, San Francisco, CA (US);
Rico Zorkendorfer, San Francisco, CA (US)

(73) Assignee: **Apple Inc.**, Cupertino, CA (US)

(**) Term: **14 Years**

(21) Appl. No.: **29/400,318**

(22) Filed: **Aug. 26, 2011**

Related U.S. Application Data

(63) Continuation of application No. 29/363,273, filed on Jun. 7, 2010, now Pat. No. Des. 644,208.

(51) **LOC (9) Cl.** **14-03**

(52) **U.S. Cl.** **D14/217**

(58) **Field of Classification Search** D14/140, D14/142, 149, 155, 157, 188, 191-193, 203.1-203.8, D14/217, 240, 243, 251-253, 432-435.1, D14/447, 451, 496, 474, 480.1-480.7; D13/107, D13/108, 118; D3/218; 248/221.11, 309.1; 320/107, 110, 113-115; 361/600; 439/529, 439/534; 455/556.1-556.2, 557; D8/349, D8/355, 373, 380

See application file for complete search history.

(56) **References Cited**

U.S. PATENT DOCUMENTS

D551,212	S	*	9/2007	Andre et al.	D14/217
D552,085	S	*	10/2007	Andre et al.	D14/217
D595,265	S	*	6/2009	Andre et al.	D14/217
D597,079	S	*	7/2009	Andre et al.	D14/217
D605,174	S	*	12/2009	Andre et al.	D14/217
D606,518	S	*	12/2009	Andre et al.	D14/217
D608,352	S	*	1/2010	Andre et al.	D14/217
D644,208	S	*	8/2011	Akana et al.	D14/217

FOREIGN PATENT DOCUMENTS

TW D134538 S1 4/1999

OTHER PUBLICATIONS

Search Report for Patent Application No. 099306279, ROC (Taiwan) Patent Office, completed on Aug. 26, 2011, 1 page.

* cited by examiner

Primary Examiner — Stella Reid

Assistant Examiner — Keli L Hill

(74) *Attorney, Agent, or Firm* — Sterne, Kessler, Goldstein & Fox P.L.L.C.

(57) **CLAIM**

The ornamental design for a dock insert, as shown and described.

DESCRIPTION

FIG. 1 is a top front perspective view of a dock insert showing our new design;

FIG. 2 is a bottom rear perspective view thereof;

FIG. 3 is a top plan view thereof;

FIG. 4 is a bottom plan view thereof;

FIG. 5 is a rear view thereof;

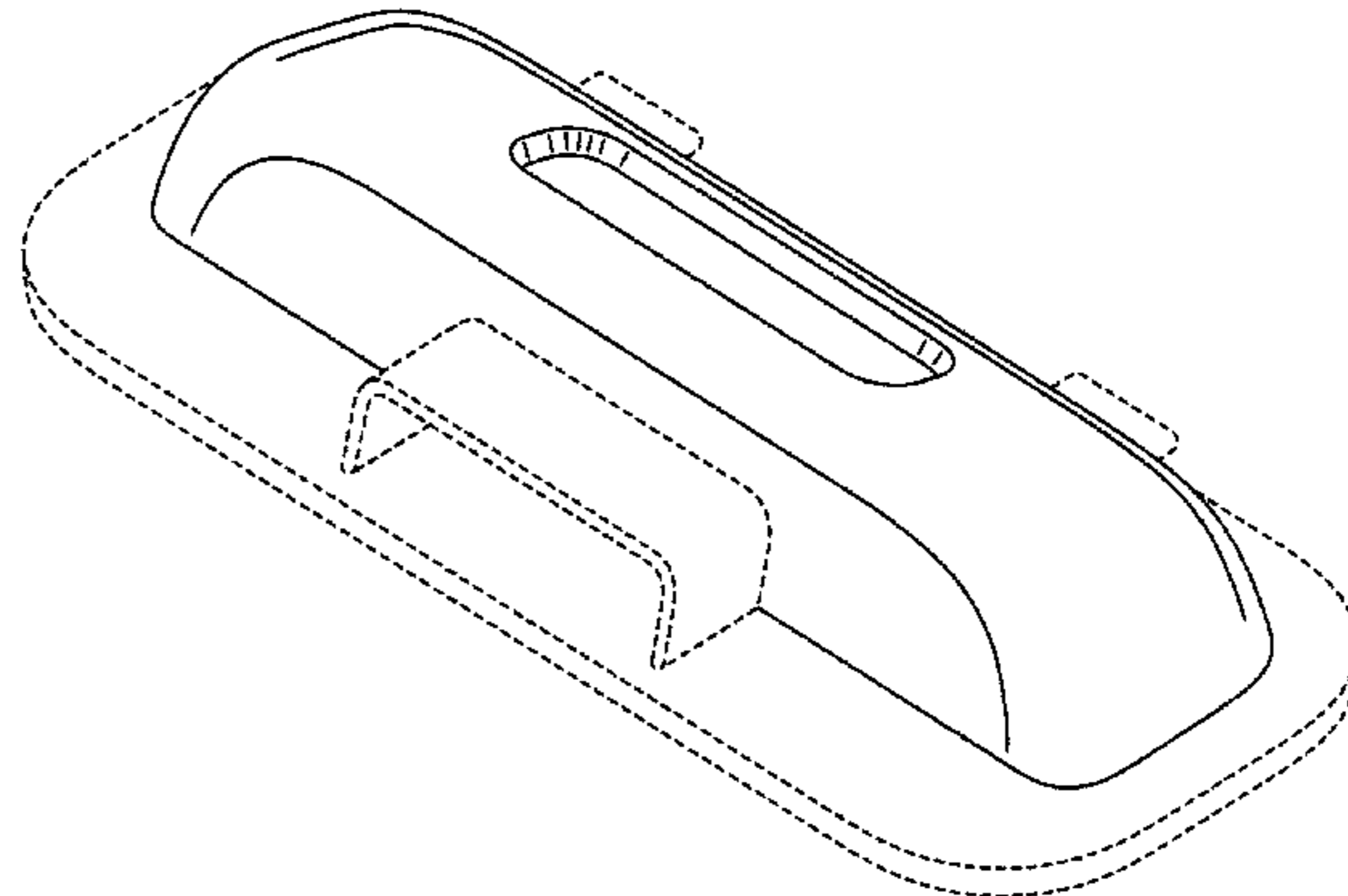
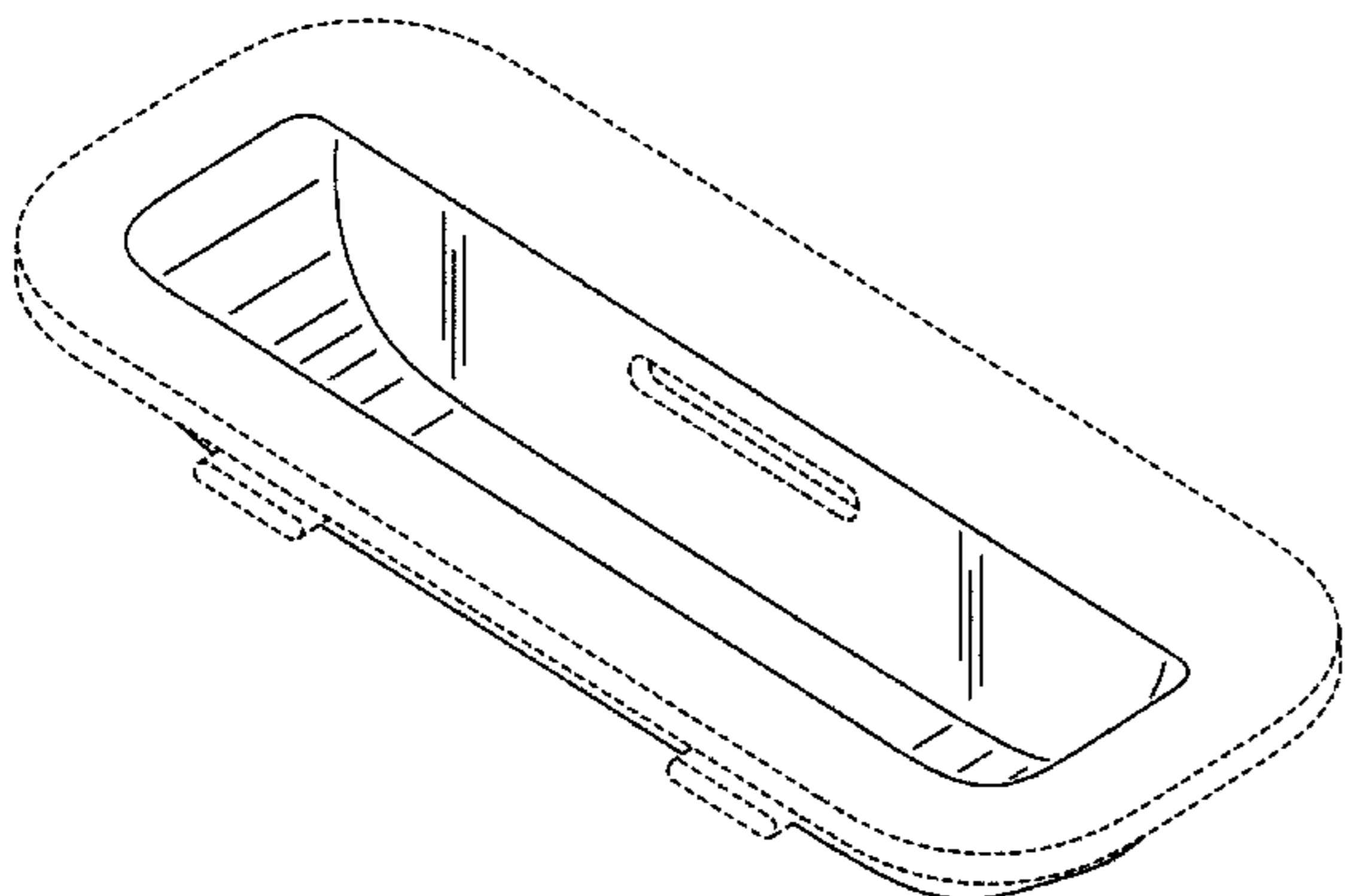
FIG. 6 is a front view thereof;

FIG. 7 is a right side view thereof; and,

FIG. 8 is a left side view thereof.

The broken lines in the Figures show portions of the dock insert which form no part of the claimed design.

1 Claim, 6 Drawing Sheets



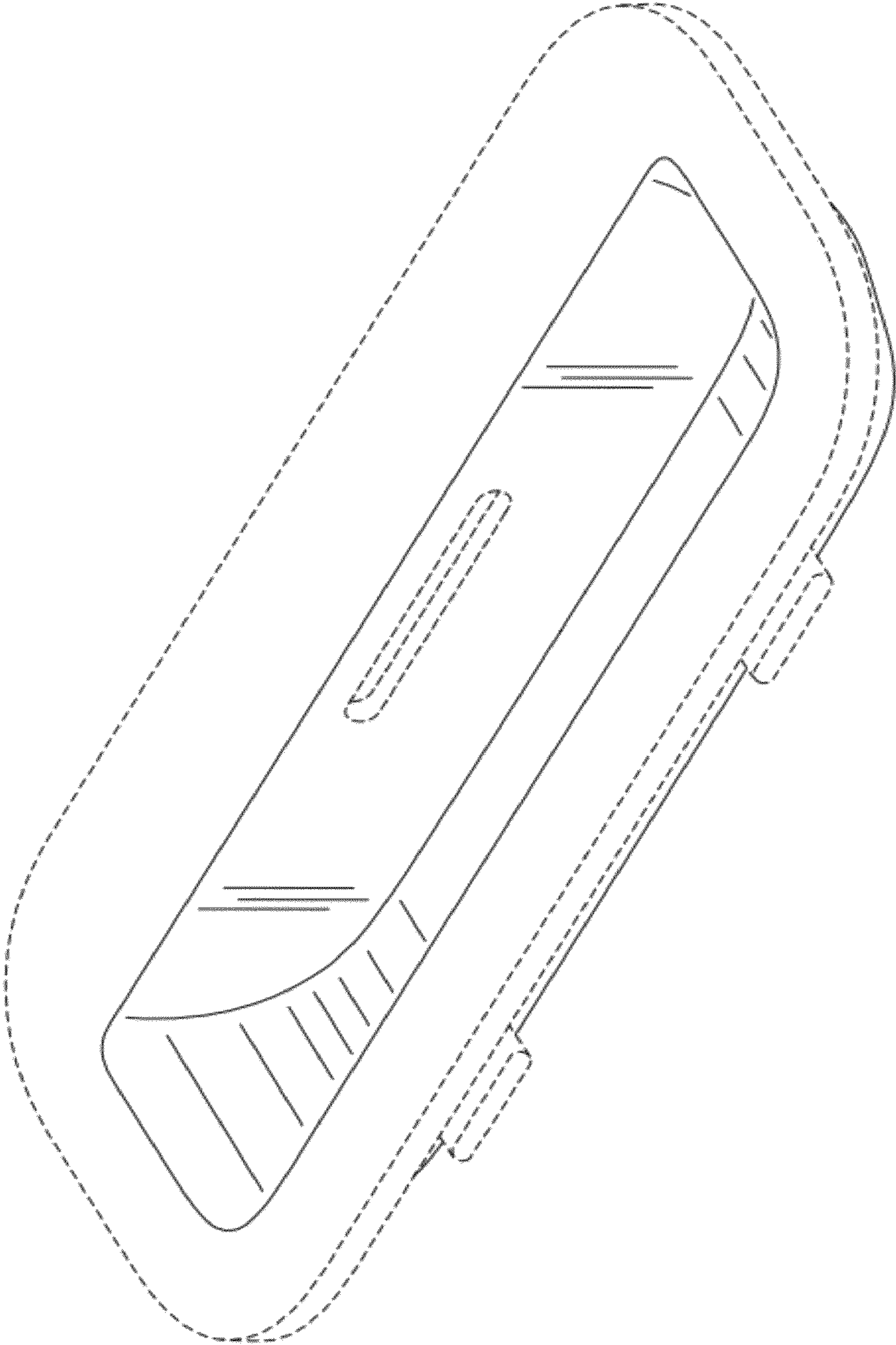


FIG. 1

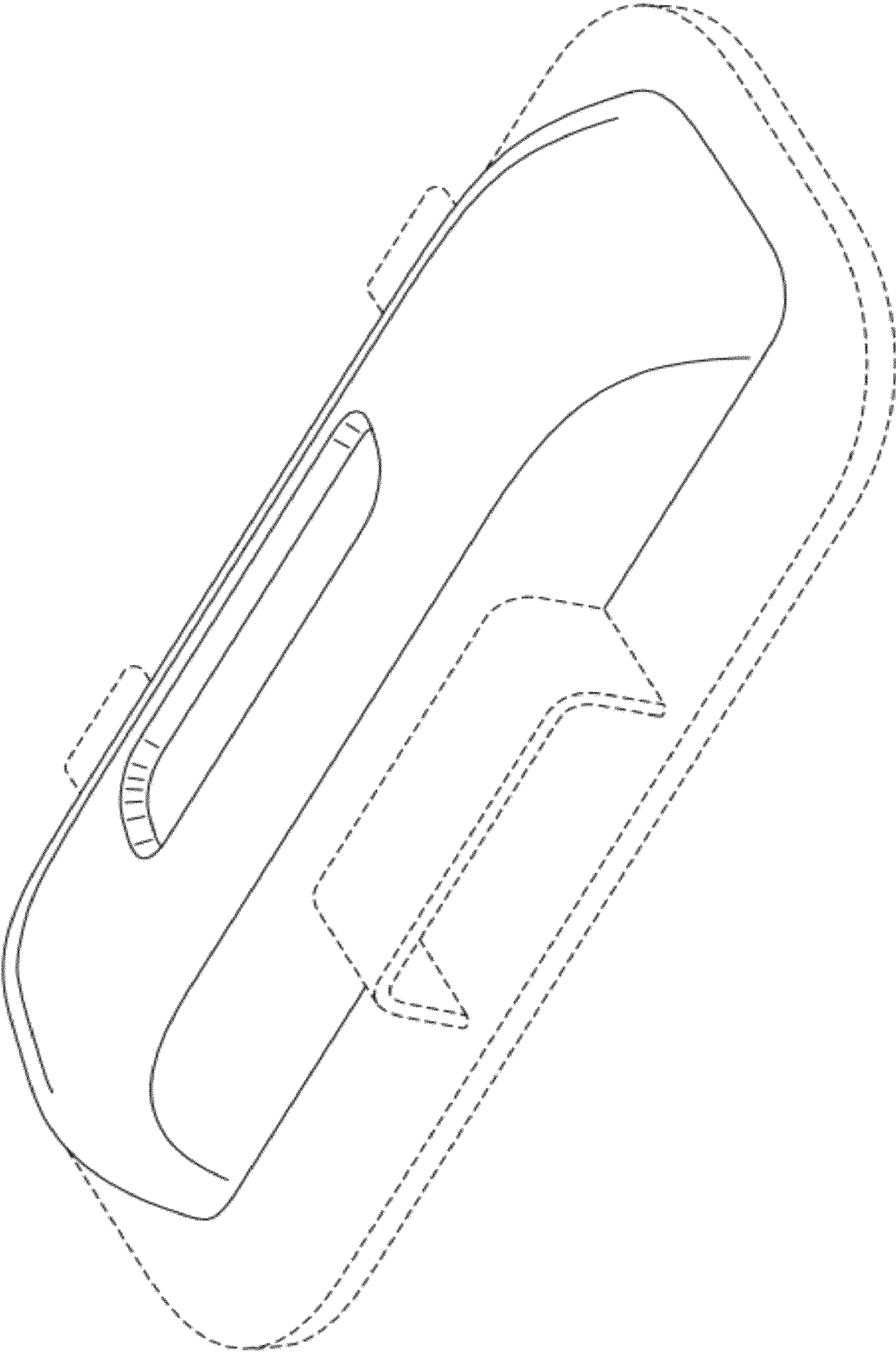


FIG. 2

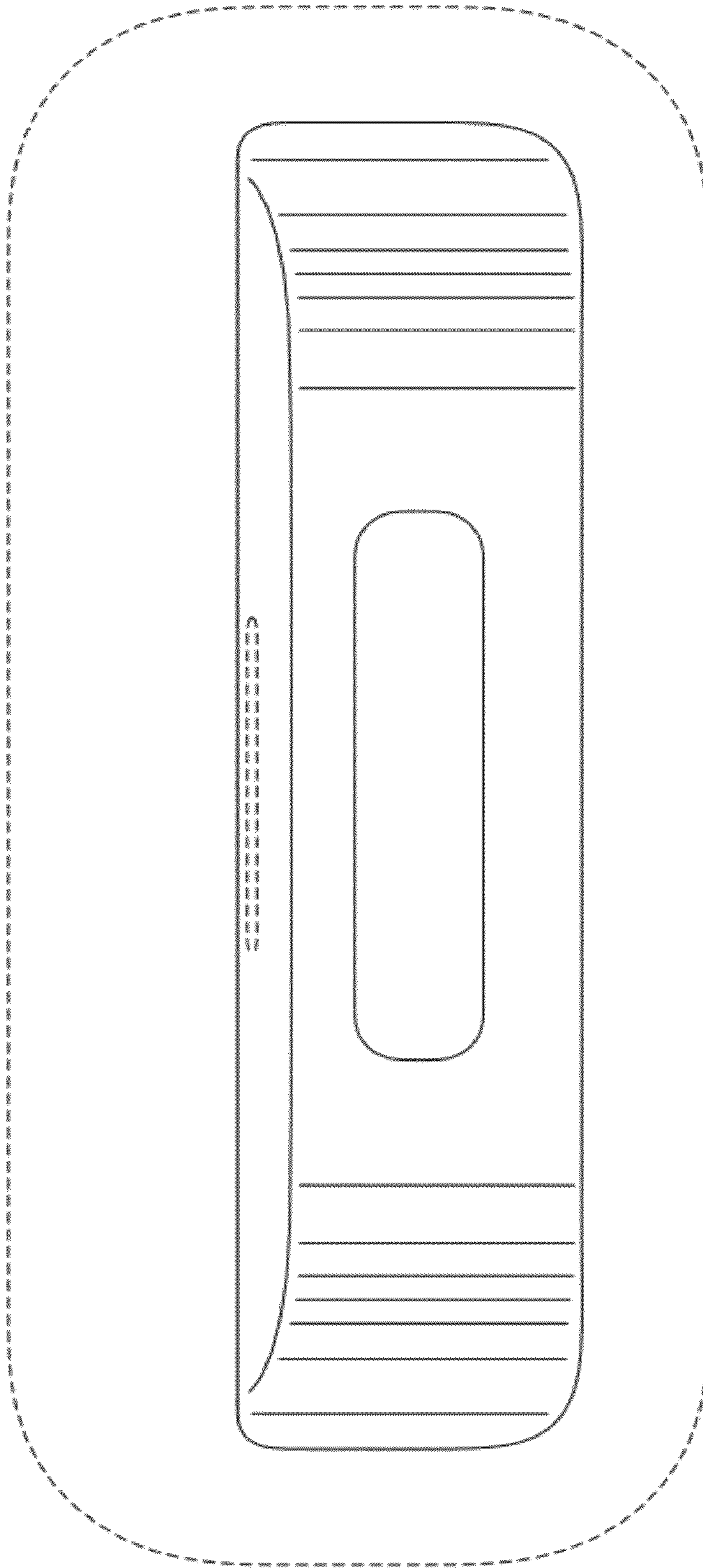


FIG. 3

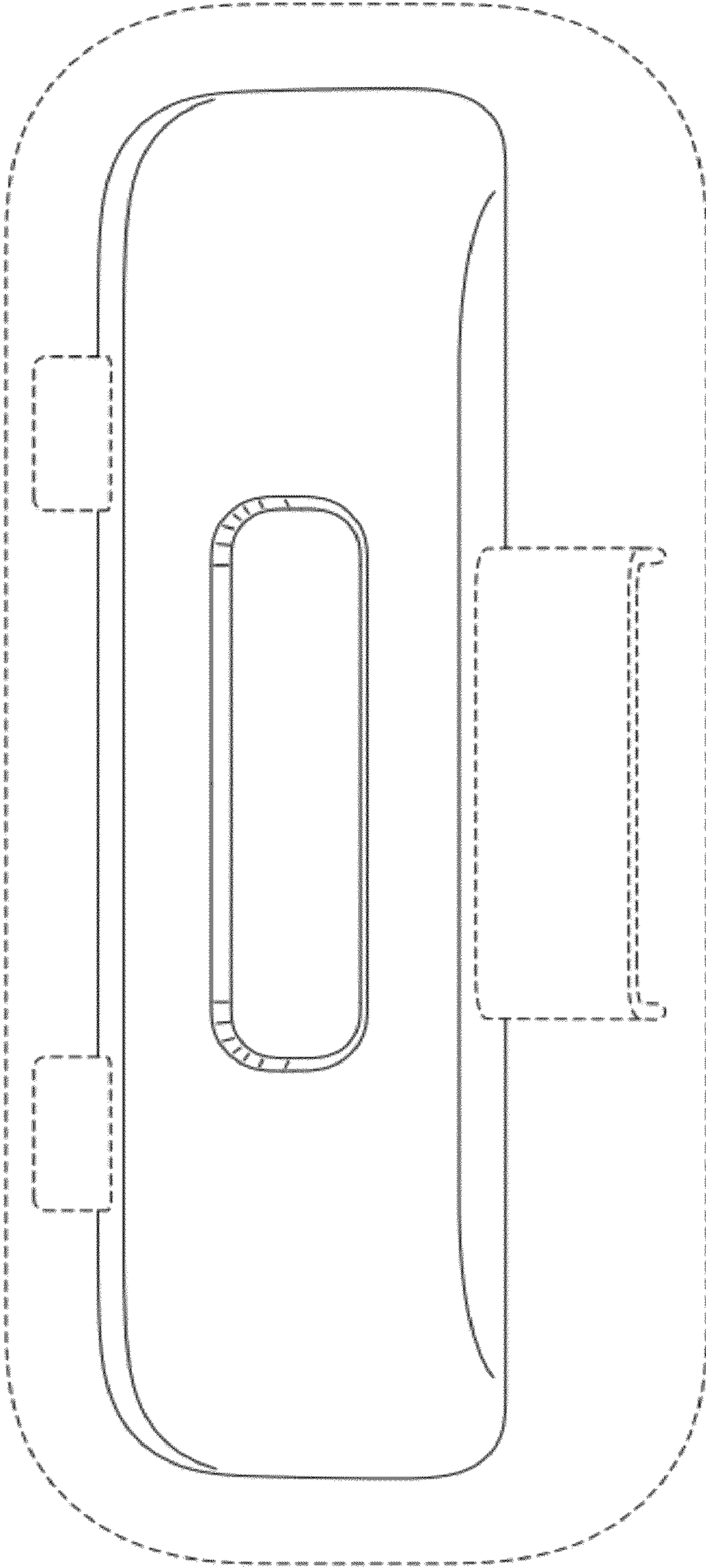


FIG. 4

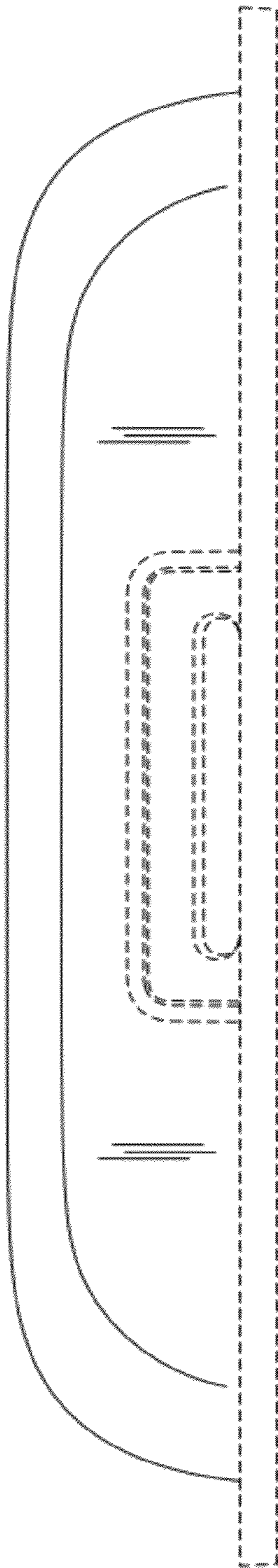


FIG. 5

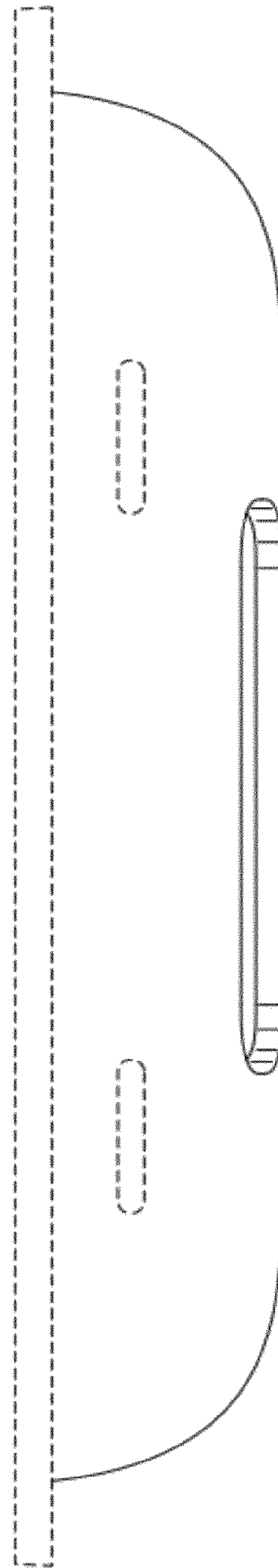


FIG. 6

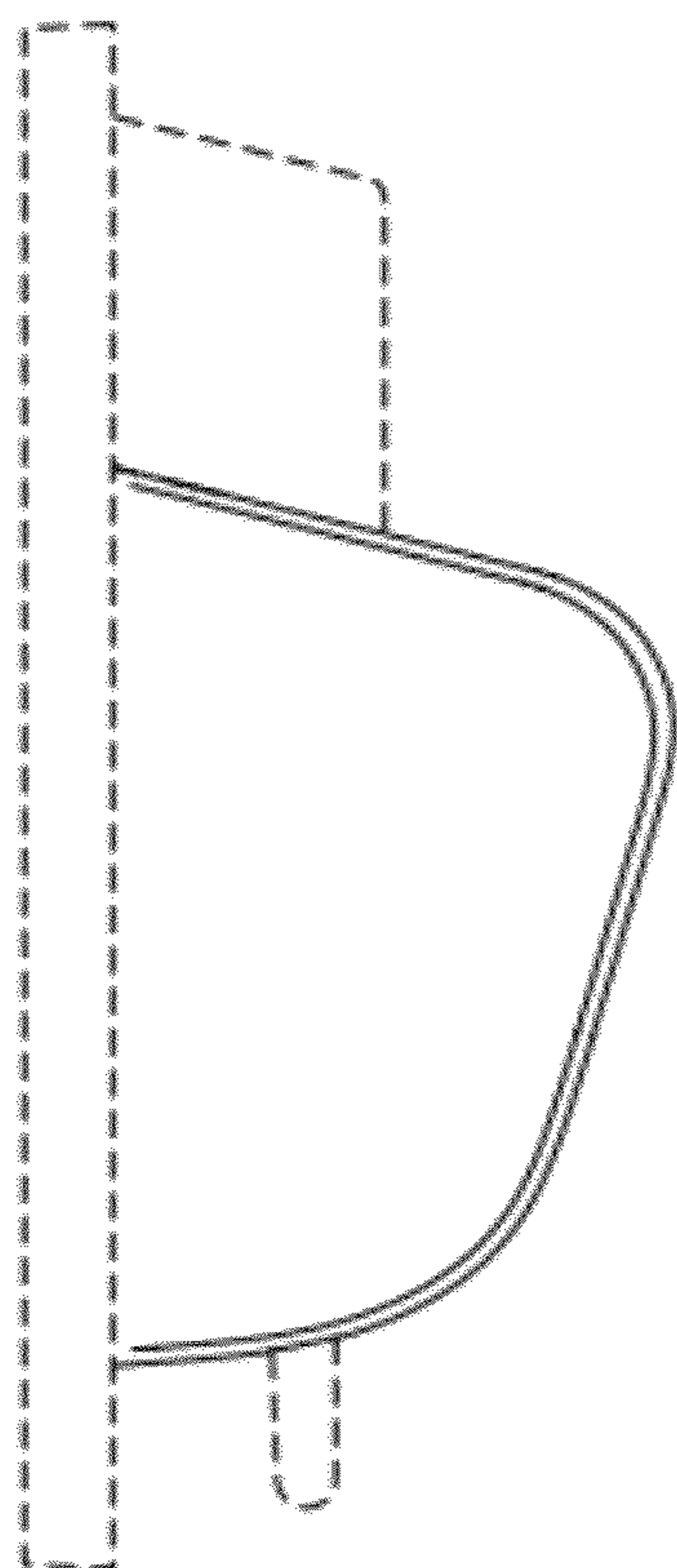


FIG. 7

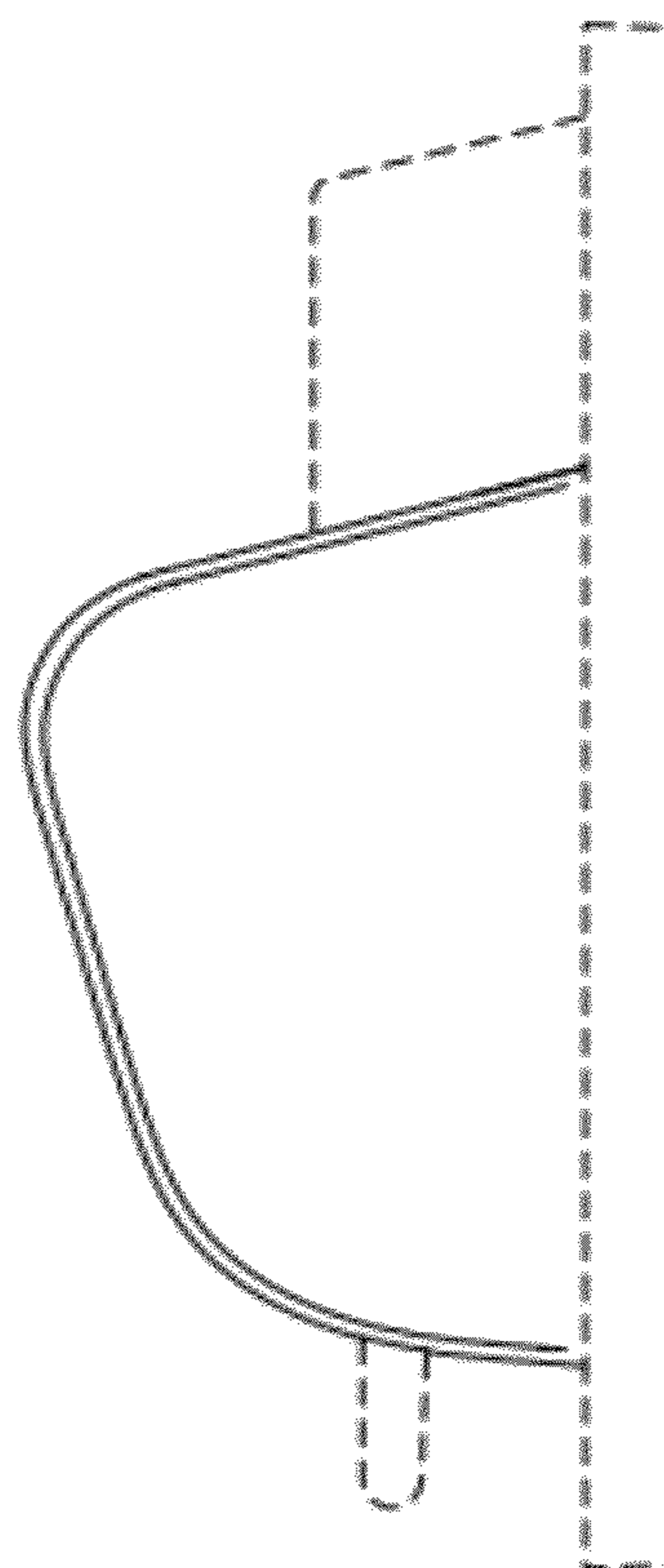


FIG. 8