



US00D665379S

(12) **United States Design Patent**
Behringer et al.

(10) **Patent No.:** **US D665,379 S**
(45) **Date of Patent:** **** *Aug. 14, 2012**

(54) **RACK-MOUNT AUDIO COMPONENT WITH
REMOVABLE EARS AND ILLUMINATED
ON/OFF SWITCH**

(75) Inventors: **Ulrich Behringer**, Makati (PH); **Costa
Lakoumentas**, Surrey (CA); **David
Czarnecki**, Seattle, WA (US)

(73) Assignee: **Red Chip Company Ltd.**, Tortola (VG)

(*) Notice: This patent is subject to a terminal disclaimer.

(**) Term: **14 Years**

(21) Appl. No.: **29/363,154**

(22) Filed: **Jun. 4, 2010**

(51) **LOC (9) Cl.** **14-03**

(52) **U.S. Cl.** **D14/198; D14/193**

(58) **Field of Classification Search** D14/137,
D14/155, 162, 167-171, 188, 189, 193-198,
D14/203.1-203.8, 204, 208, 209.1, 210, 212,
D14/214, 215, 217, 257, 258, 265, 299, 496;
369/6-12; 455/90.1-90.3, 344-355

See application file for complete search history.

(56) **References Cited**

U.S. PATENT DOCUMENTS

D467,227 S * 12/2002 Lee D13/123

(Continued)

Primary Examiner — Prabhakar Deshmukh

Assistant Examiner — Keli L Hill

(74) *Attorney, Agent, or Firm* — Seed IP Law Group PLLC

(57) **CLAIM**

The ornamental design for the rack-mount audio component with removable ears and illuminated on/off switch, as shown and described.

DESCRIPTION

FIG. 1 is a perspective view of the rack-mount audio component with removable ears and illuminated on/off switch showing the new design, and with a front panel door in the open position.

FIG. 2 is a perspective view of the rack-mount audio component with removable ears and illuminated on/off switch of FIG. 1 with the front panel door in a closed position.

FIG. 3 is a top plan view of the rack-mount audio component with removable ears and illuminated on/off switch of FIG. 1 with the front panel door in a closed position.

FIG. 4 is a front elevational view of the rack-mount audio component with removable ears and illuminated on/off switch of FIG. 1 with the front panel door in a closed position.

FIG. 5 is a bottom plan view of the rack-mount audio component with removable ears and illuminated on/off switch of FIG. 1 with the front panel door in a closed position.

FIG. 6 is a back elevational view of the rack-mount audio component with removable ears and illuminated on/off switch of FIG. 1 with the front panel door in a closed position.

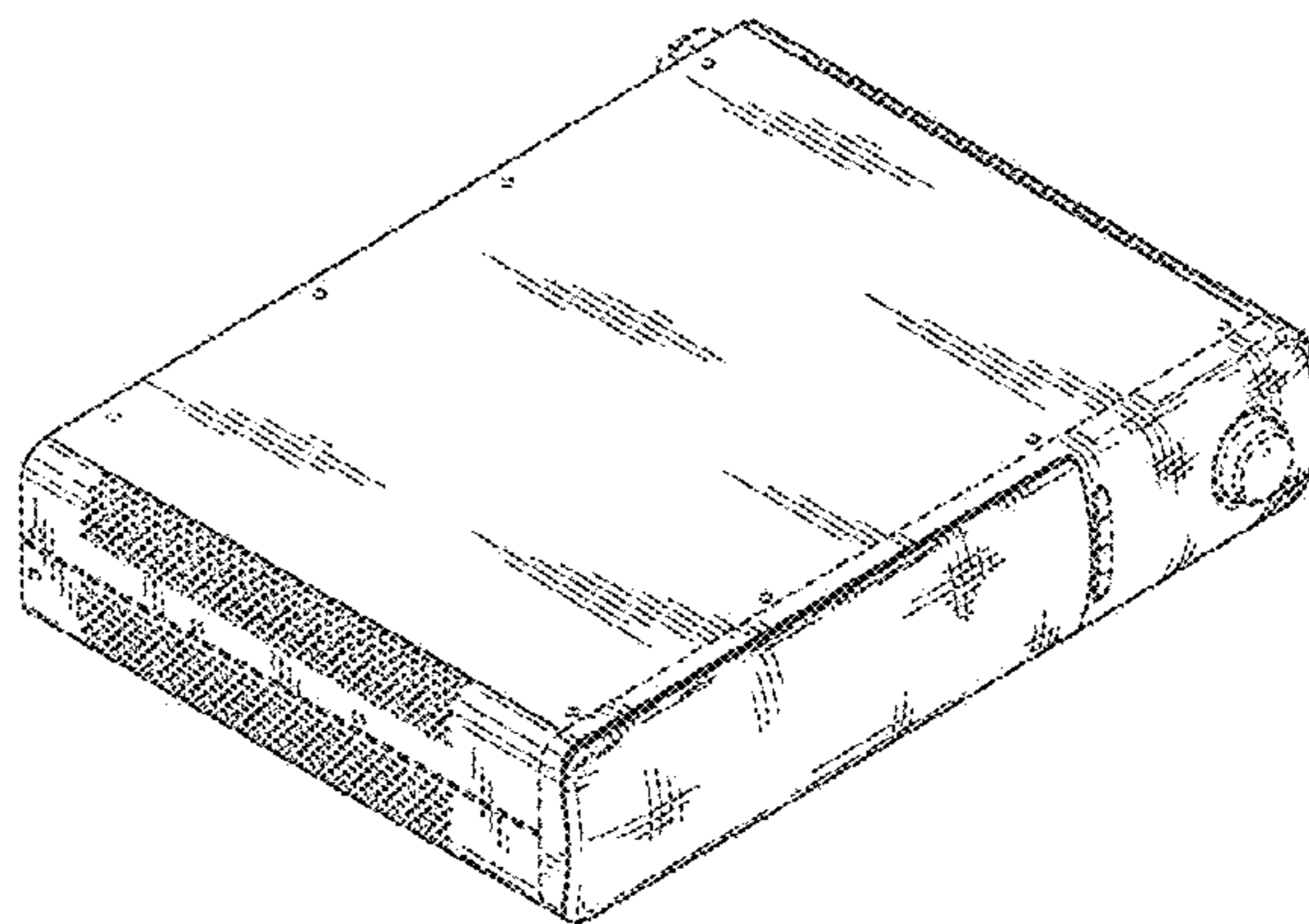
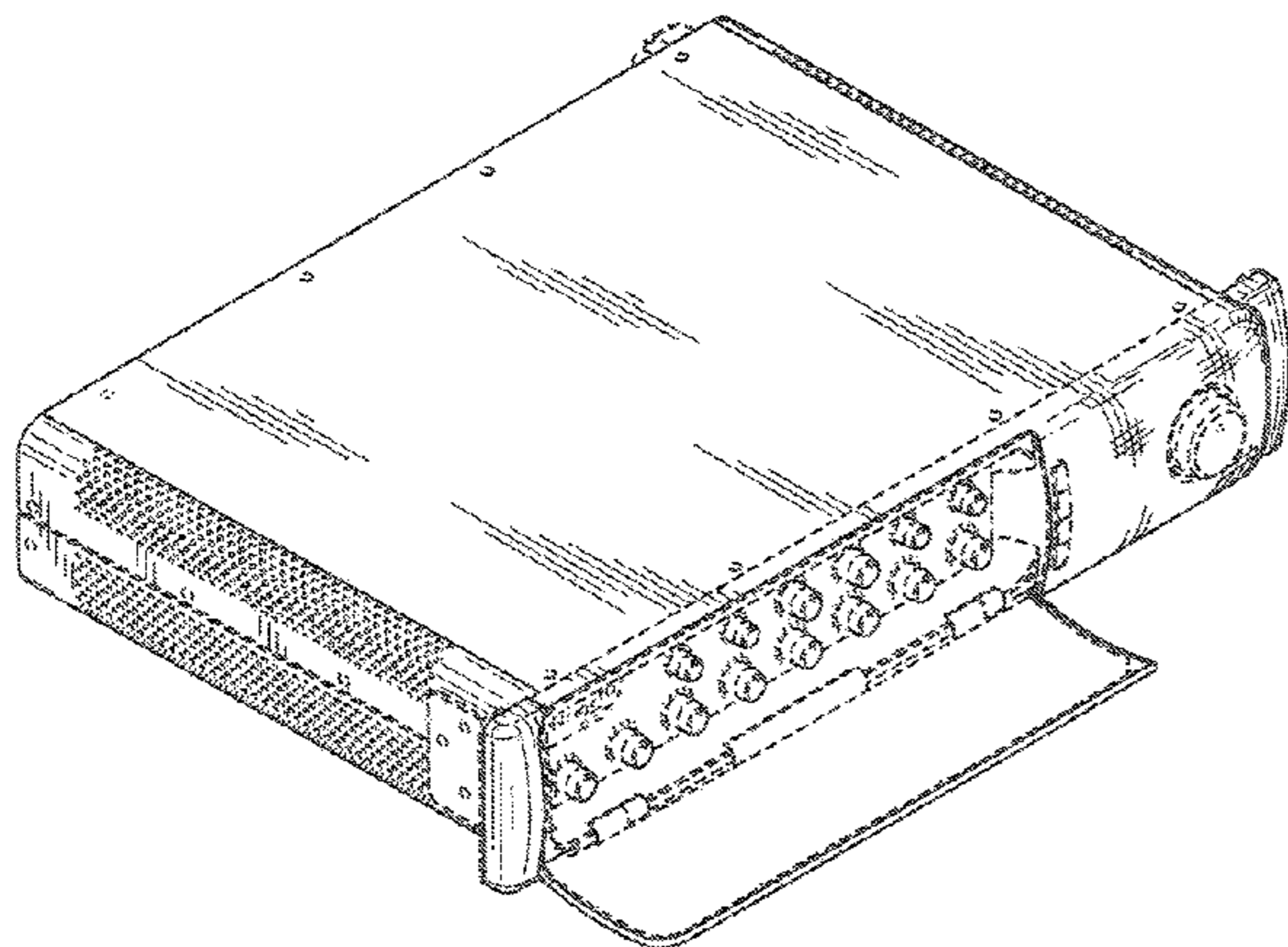
FIG. 7 is a right-side elevational view of the rack-mount audio component with removable ears and illuminated on/off switch of FIG. 1 with the front panel door in a closed position.

FIG. 8 is a left-side elevational view of the rack-mount audio component with removable ears and illuminated on/off switch of FIG. 1 with the front panel door in a closed position; and,

FIG. 9 is a front elevational view of the rack-mount audio component with removable ears and illuminated on/off switch of FIG. 1, with the front panel door in a closed position and the ears removed. The rack ear connections on each side of the rack-mount audio component with removable ears and illuminated on/off switch are symmetrical.

The broken lines shown are included for purpose of illustrating the unclaimed portions of the article and form no part of the claim.

1 Claim, 6 Drawing Sheets



US D665,379 S

Page 2

U.S. PATENT DOCUMENTS

D473,536 S *	4/2003	Powell et al.	D14/188	D578,505 S *	10/2008	Tejima et al.	D14/188
D560,689 S *	1/2008	Cho	D14/496	D590,809 S *	4/2009	Thusbass	D14/188
D561,140 S *	2/2008	Hatori	D14/505	D594,846 S *	6/2009	Teulie	D14/188
D569,840 S *	5/2008	Tejima	D14/188	D599,773 S *	9/2009	Shimizu	D14/157
D570,330 S *	6/2008	Tejima	D14/188	D639,824 S *	6/2011	Usami et al.	D14/505
D571,741 S *	6/2008	Cha et al.	D14/125	D644,623 S *	9/2011	Behringer et al.	D14/188

* cited by examiner

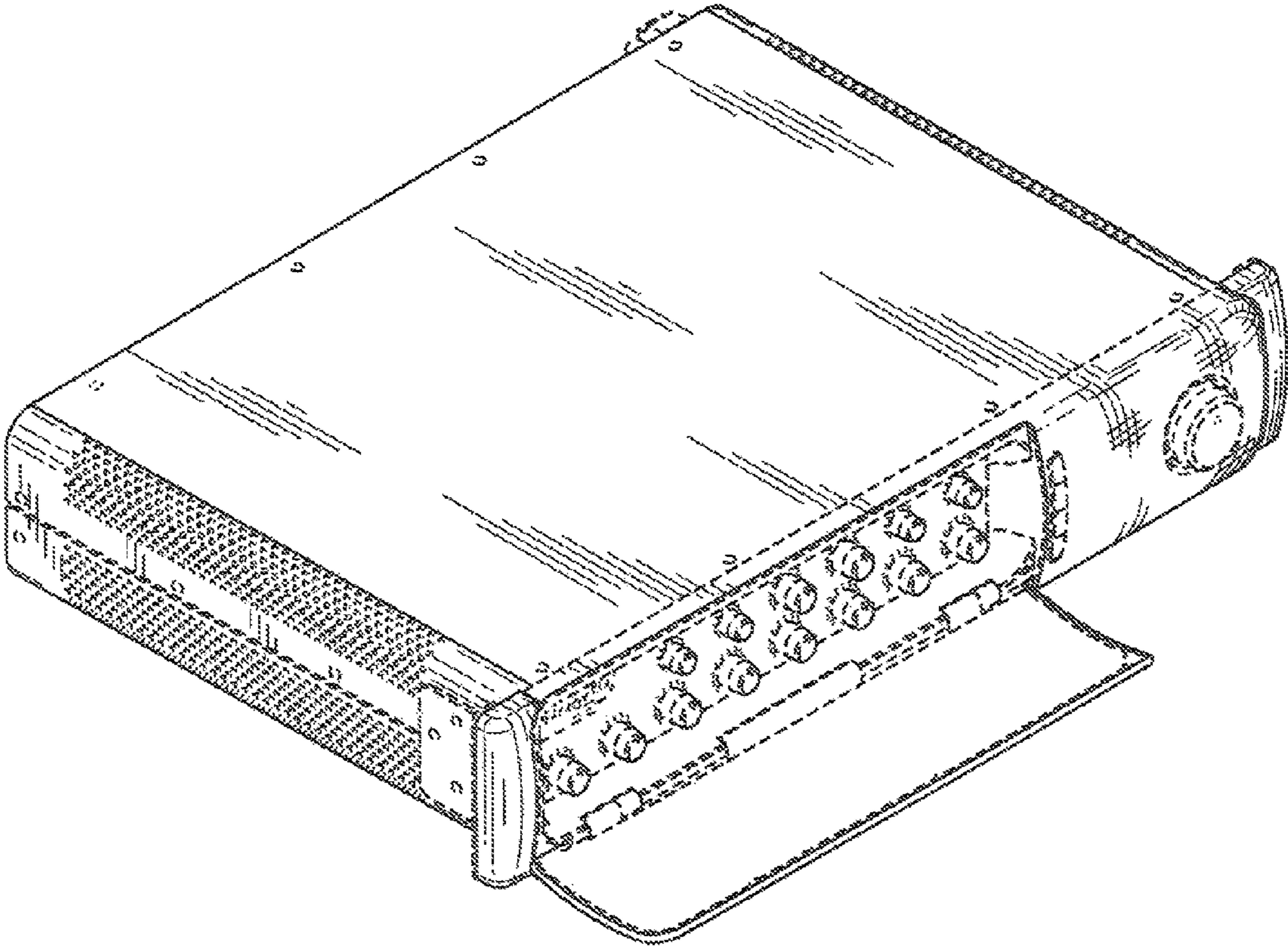


FIG. 1

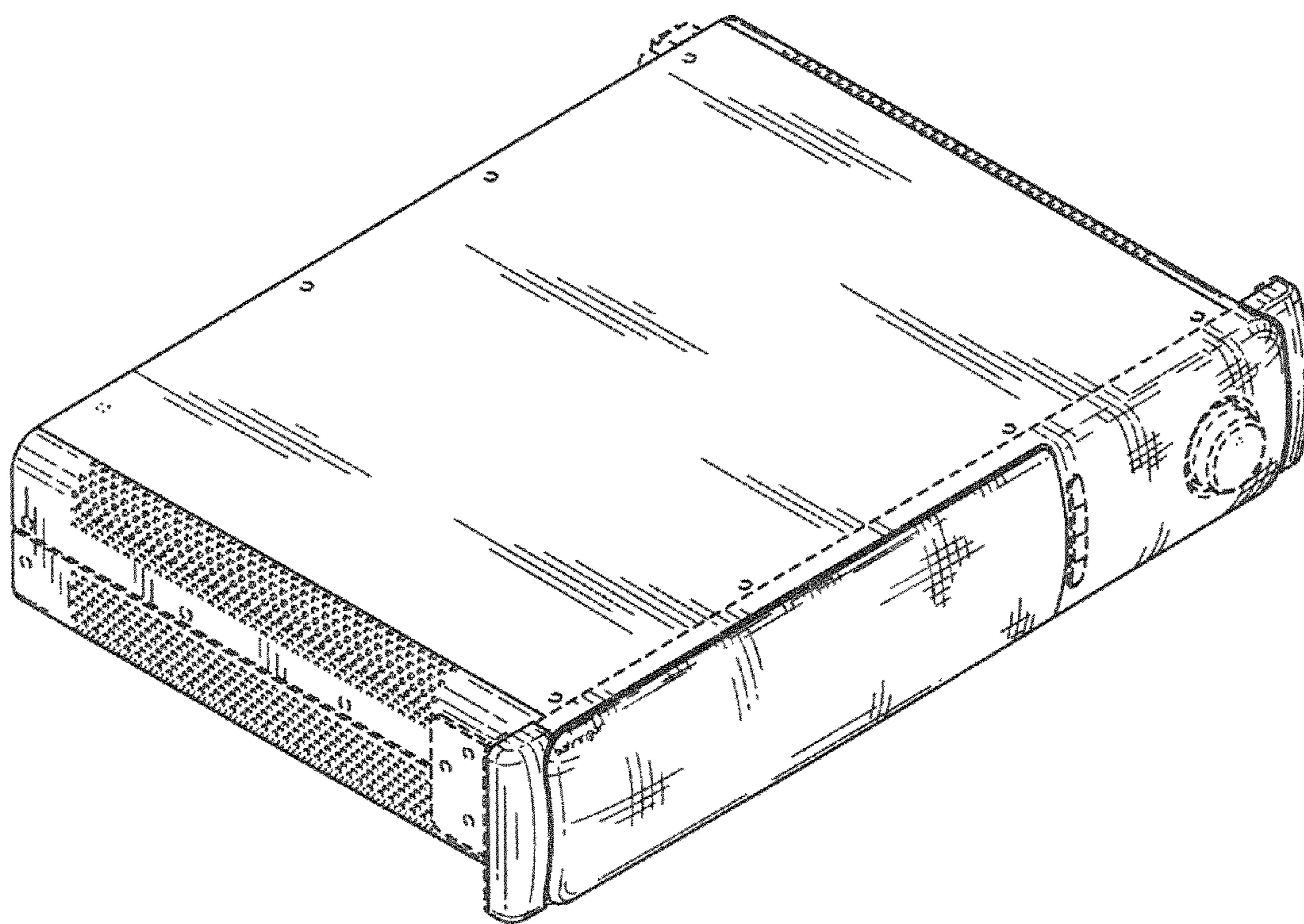


FIG. 2

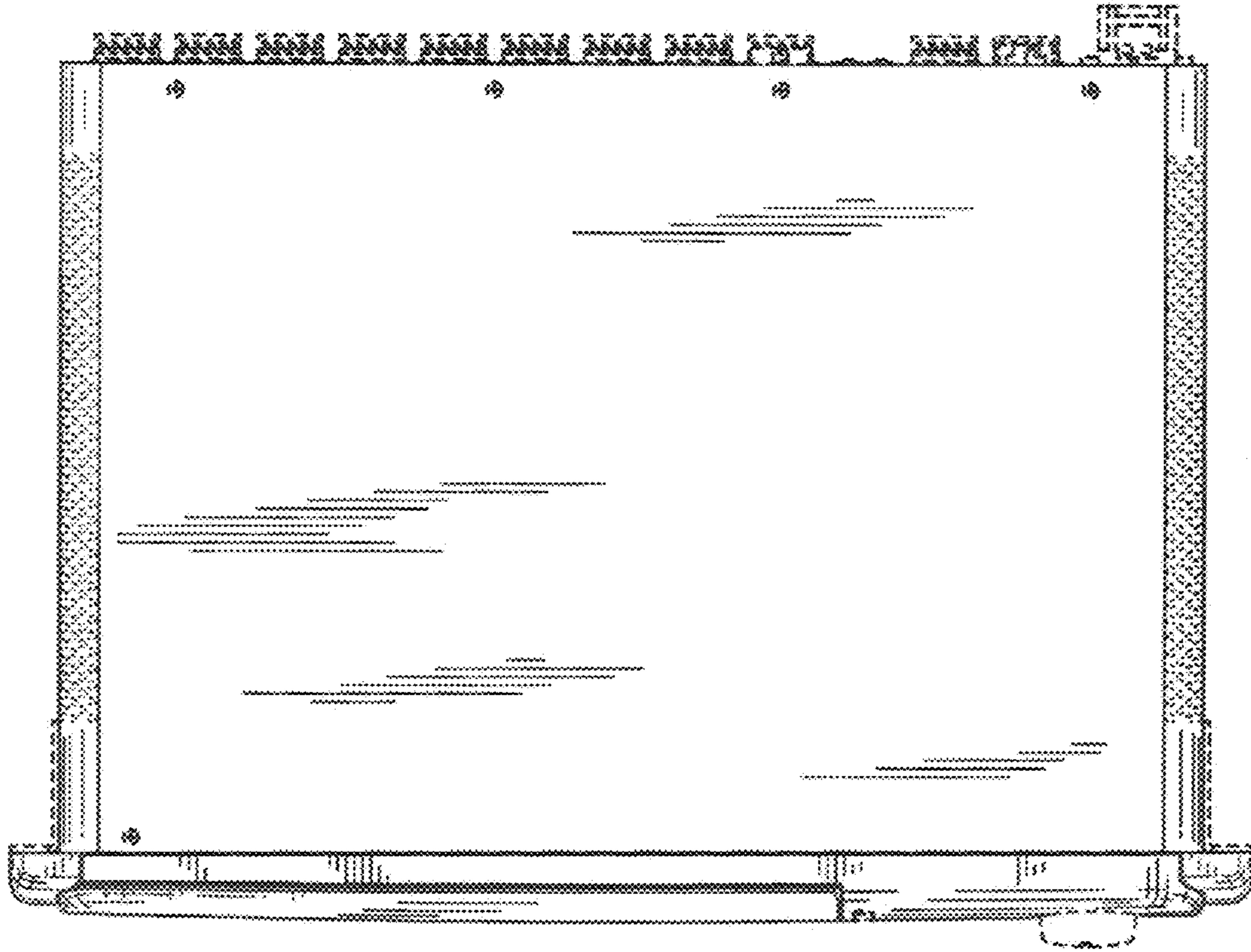


FIG. 3

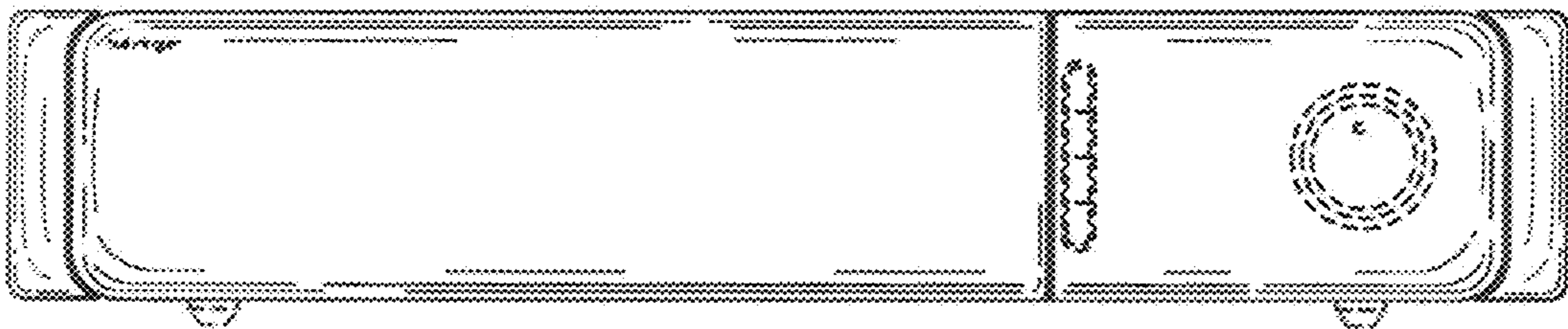


FIG. 4

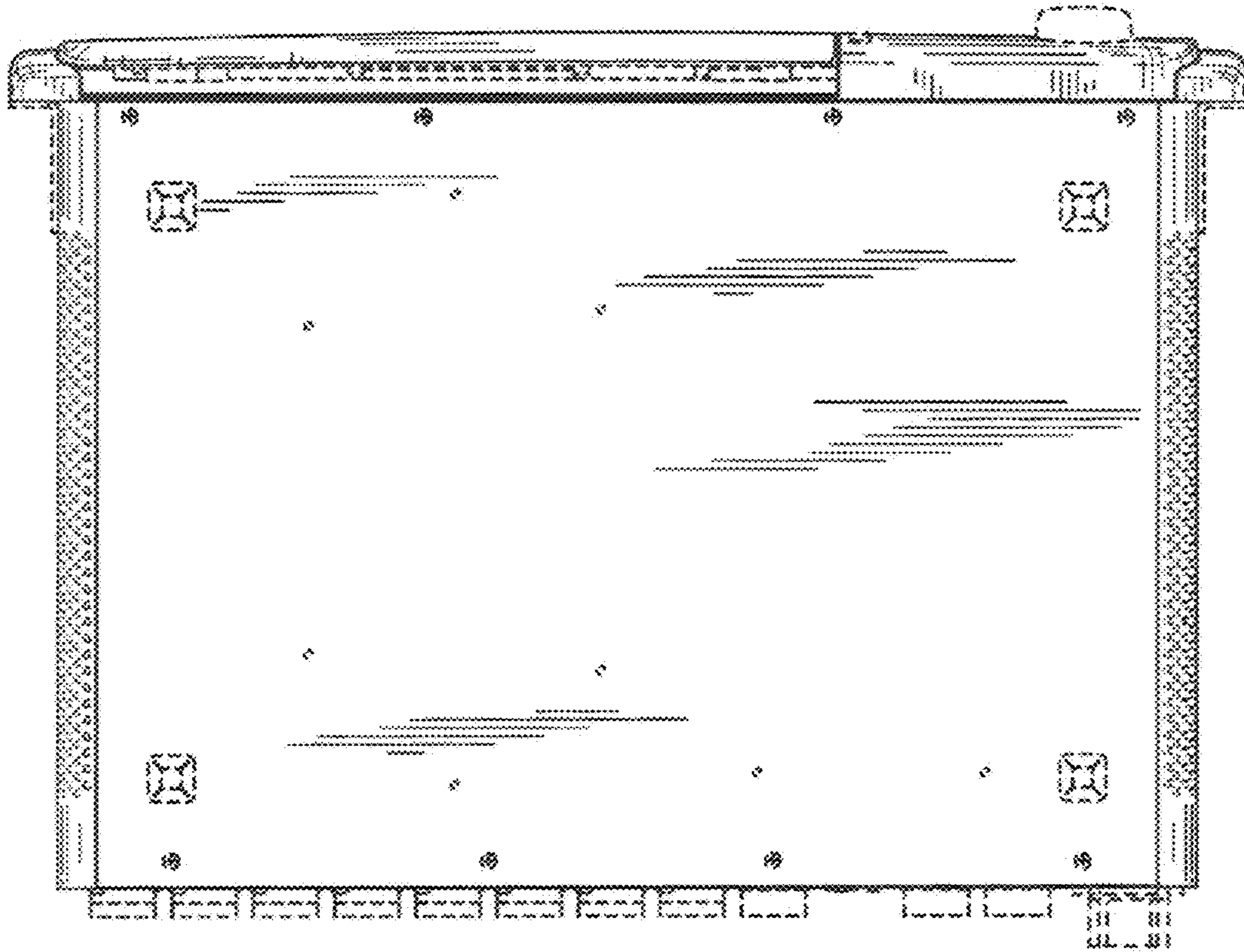


FIG. 5

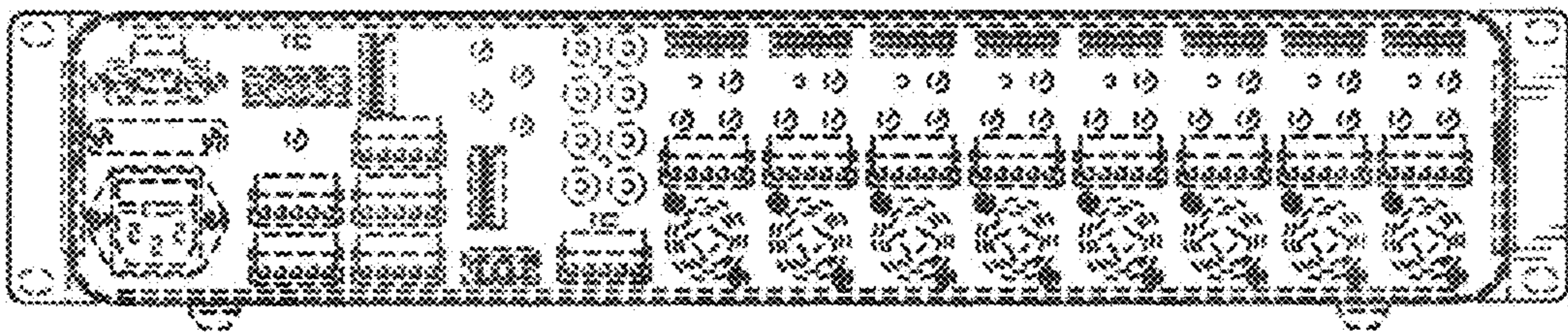


FIG. 6

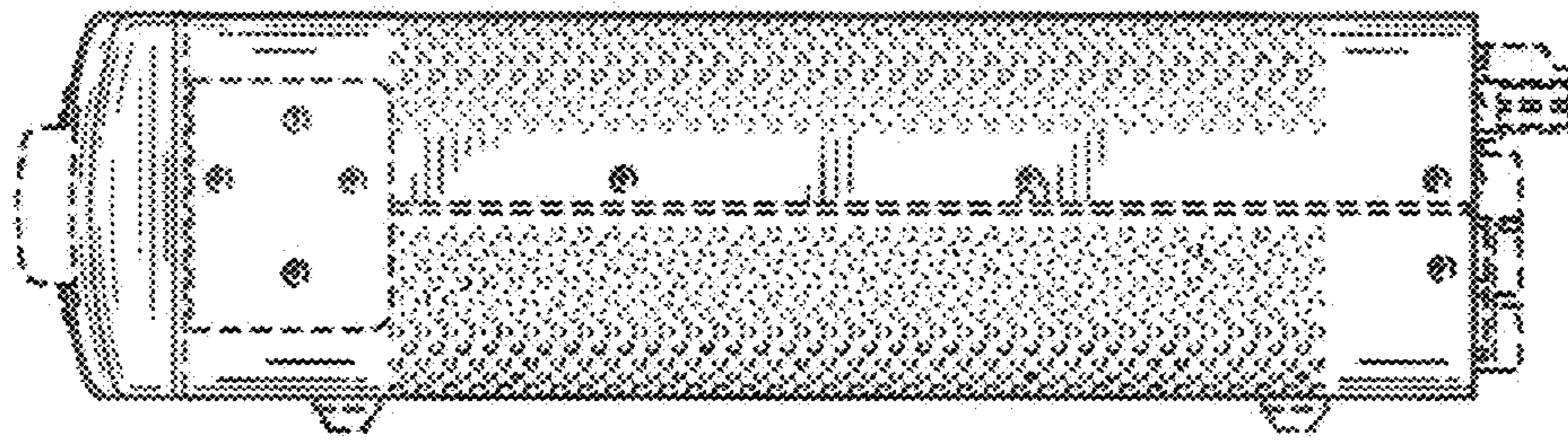


FIG. 7

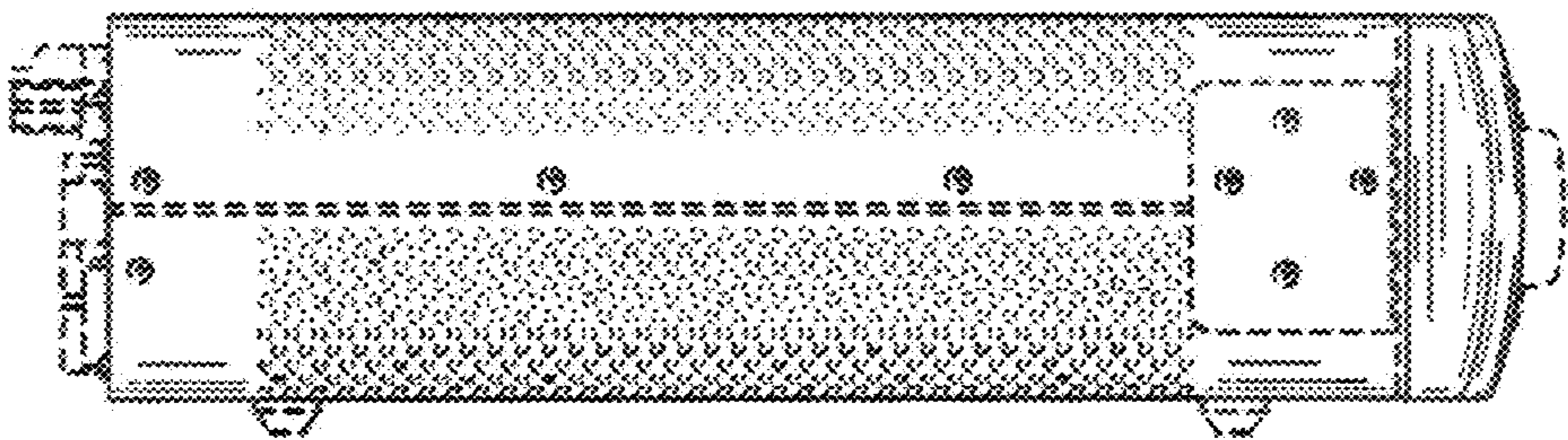


FIG. 8

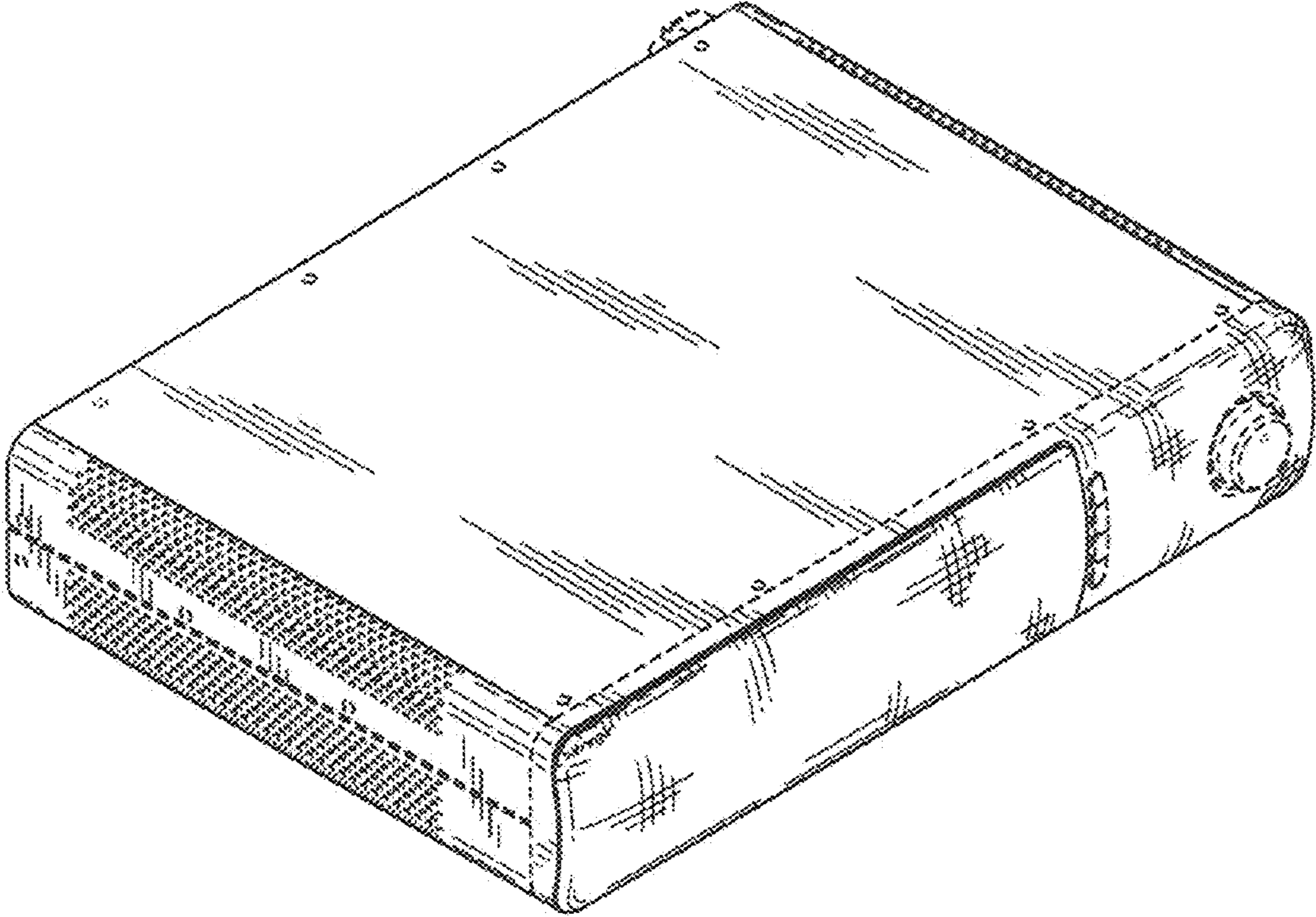


FIG. 9