



US00D665378S

(12) **United States Design Patent**
Choi

(10) **Patent No.:** **US D665,378 S**

(45) **Date of Patent:** **** Aug. 14, 2012**

(54) **MICRO AUDIO SYSTEM**

(75) Inventor: **Shaun Seongwon Choi**, Hong Kong
(HK)

(73) Assignee: **Koninklijke Philips Electronics N.V.**,
Eindhoven (NL)

(**) Term: **14 Years**

(21) Appl. No.: **29/397,964**

(22) Filed: **Jul. 25, 2011**

(30) **Foreign Application Priority Data**

Jan. 25, 2011 (EM) 001810334-0003

(51) **LOC (9) Cl.** **14-03**

(52) **U.S. Cl.** **D14/188**

(58) **Field of Classification Search** D14/125,
D14/126, 131, 137, 155, 168-171, 188, 194,
D14/197, 239, 257, 258, 496; 455/90.1-90.3,
455/344-355; 369/6-12

See application file for complete search history.

(56) **References Cited**

U.S. PATENT DOCUMENTS

D264,081 S * 4/1982 Sekita et al. D14/131
D308,367 S * 6/1990 Nakahara et al. D14/126
D439,229 S * 3/2001 Ishibashi D14/501
D502,690 S * 3/2005 Uehara et al. D14/129

D533,177 S * 12/2006 Andre et al. D14/314
D541,332 S * 4/2007 Tsuchiya D18/50
D542,288 S * 5/2007 Andre et al. D14/314
D566,686 S * 4/2008 Lum D14/194
D575,766 S * 8/2008 Harris D14/188
D579,489 S * 10/2008 Kanno et al. D18/50
D596,626 S * 7/2009 Andre et al. D14/240
D618,232 S * 6/2010 O'Neil et al. D14/314
D647,504 S * 10/2011 Choi D14/209.1
D650,394 S * 12/2011 Seoc et al. D14/496

* cited by examiner

Primary Examiner — Stella Reid

Assistant Examiner — Keli L Hill

(57) **CLAIM**

The ornamental design for a micro audio system, as shown and described.

DESCRIPTION

FIG. 1 is a perspective view showing my design;

FIG. 2 is a front elevational view thereof;

FIG. 3 is a rear elevational view thereof;

FIG. 4 is a right side elevational view thereof;

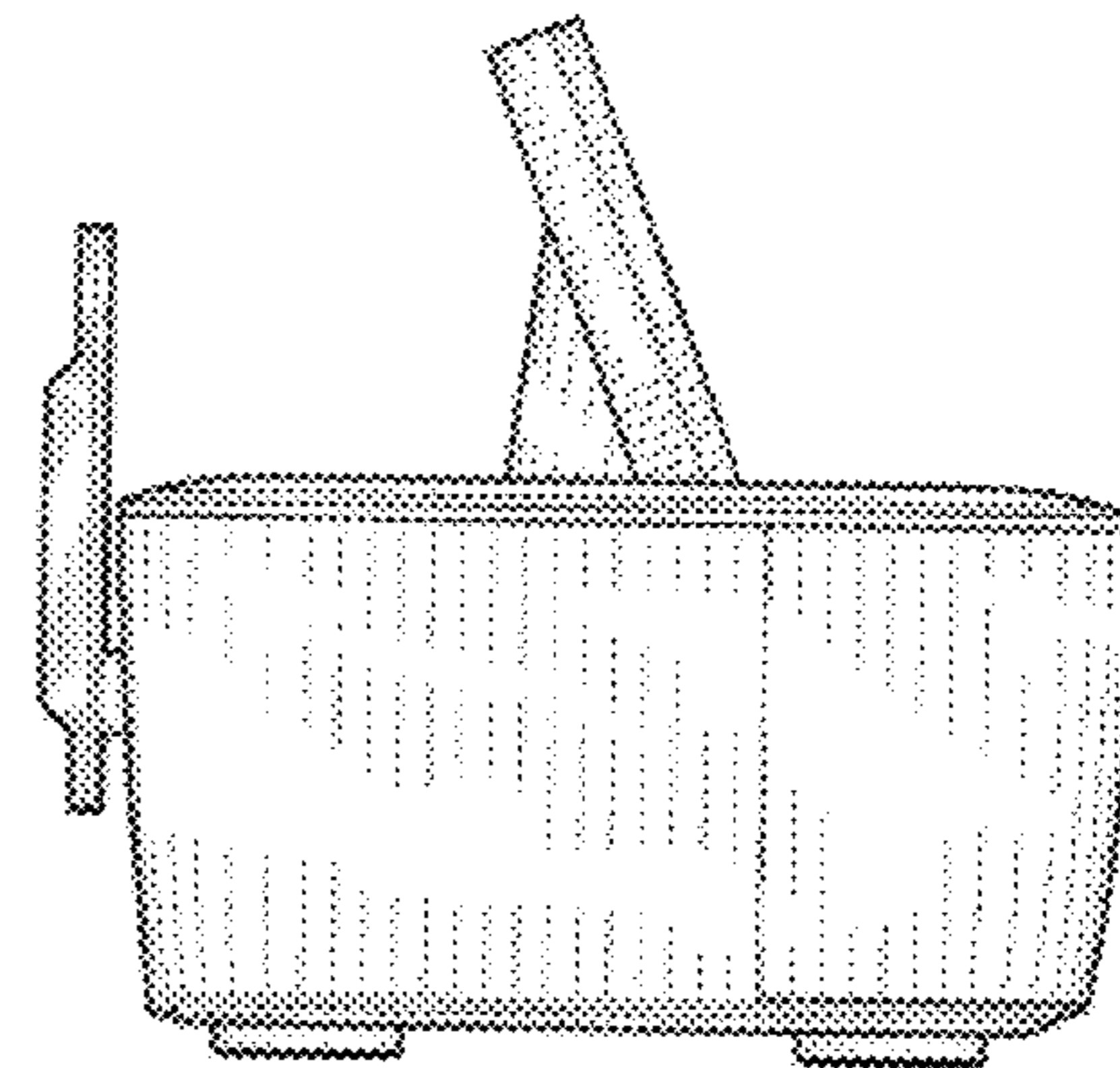
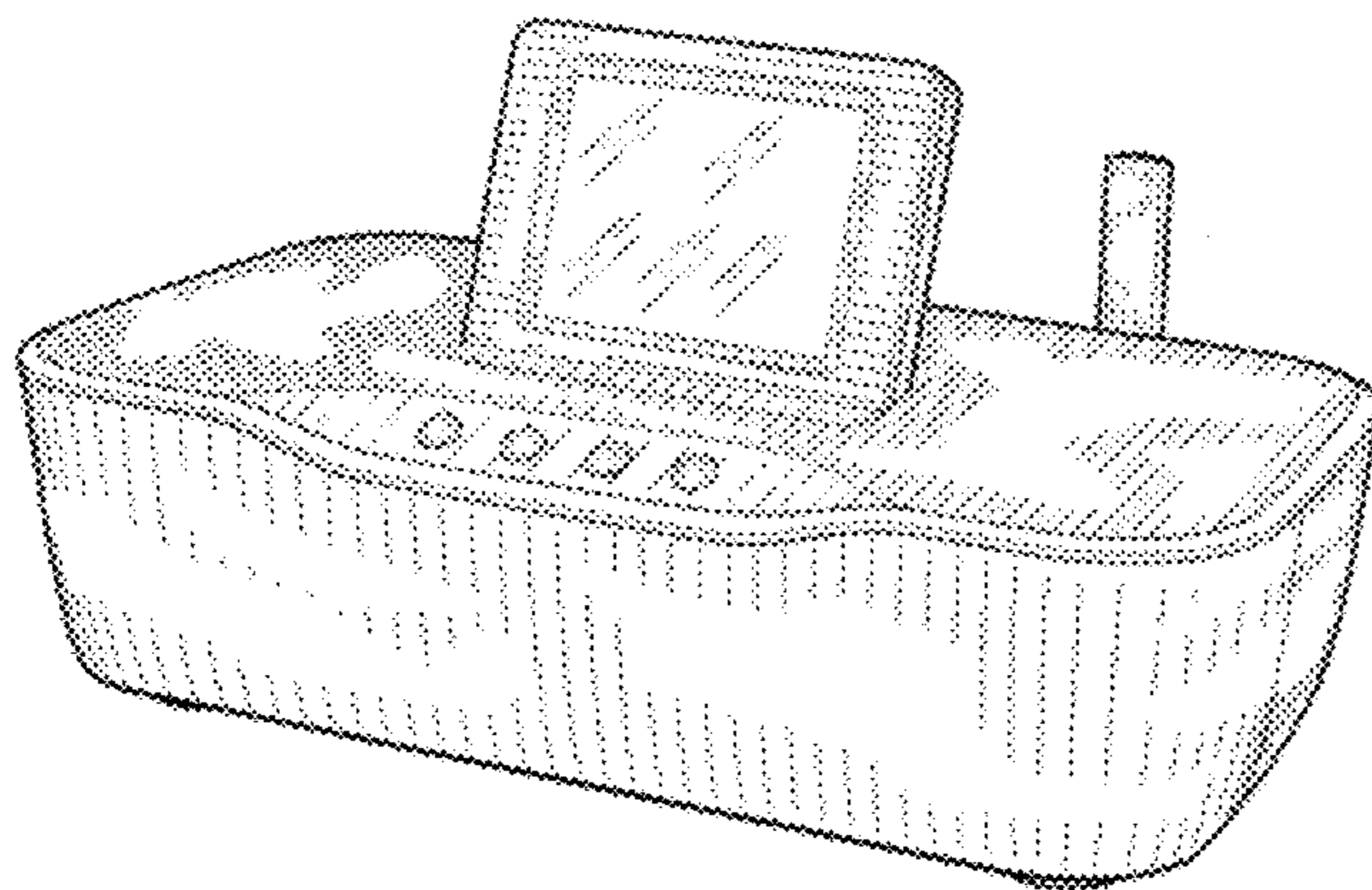
FIG. 5 is a left side elevational view thereof;

FIG. 6 is a top plan view thereof; and,

FIG. 7 is a bottom plan view thereof.

The broken lines shown are included for the purpose of illustrating the unclaimed portions of the micro audio system and form no part of the claim.

1 Claim, 4 Drawing Sheets



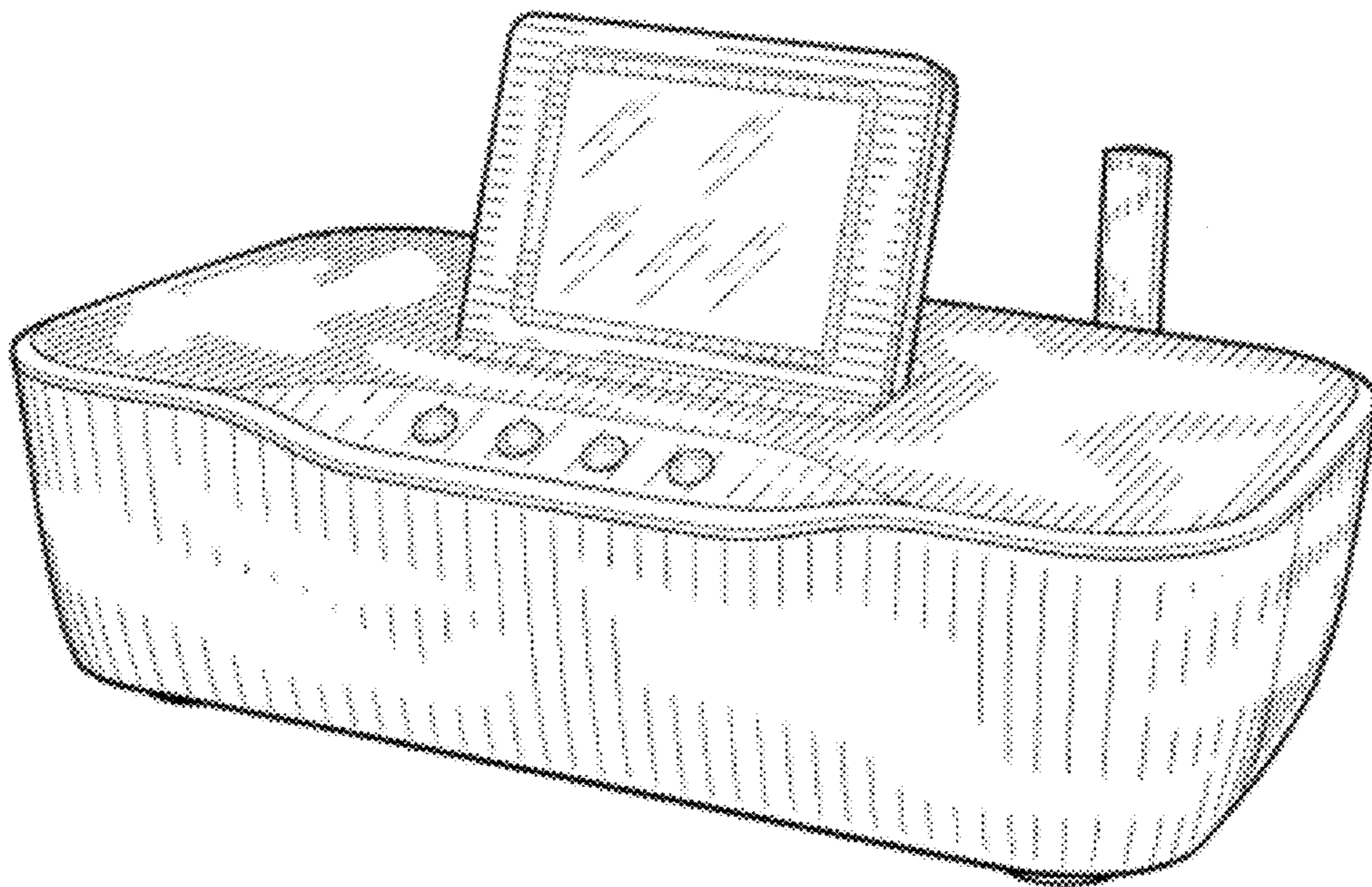


FIG. 1

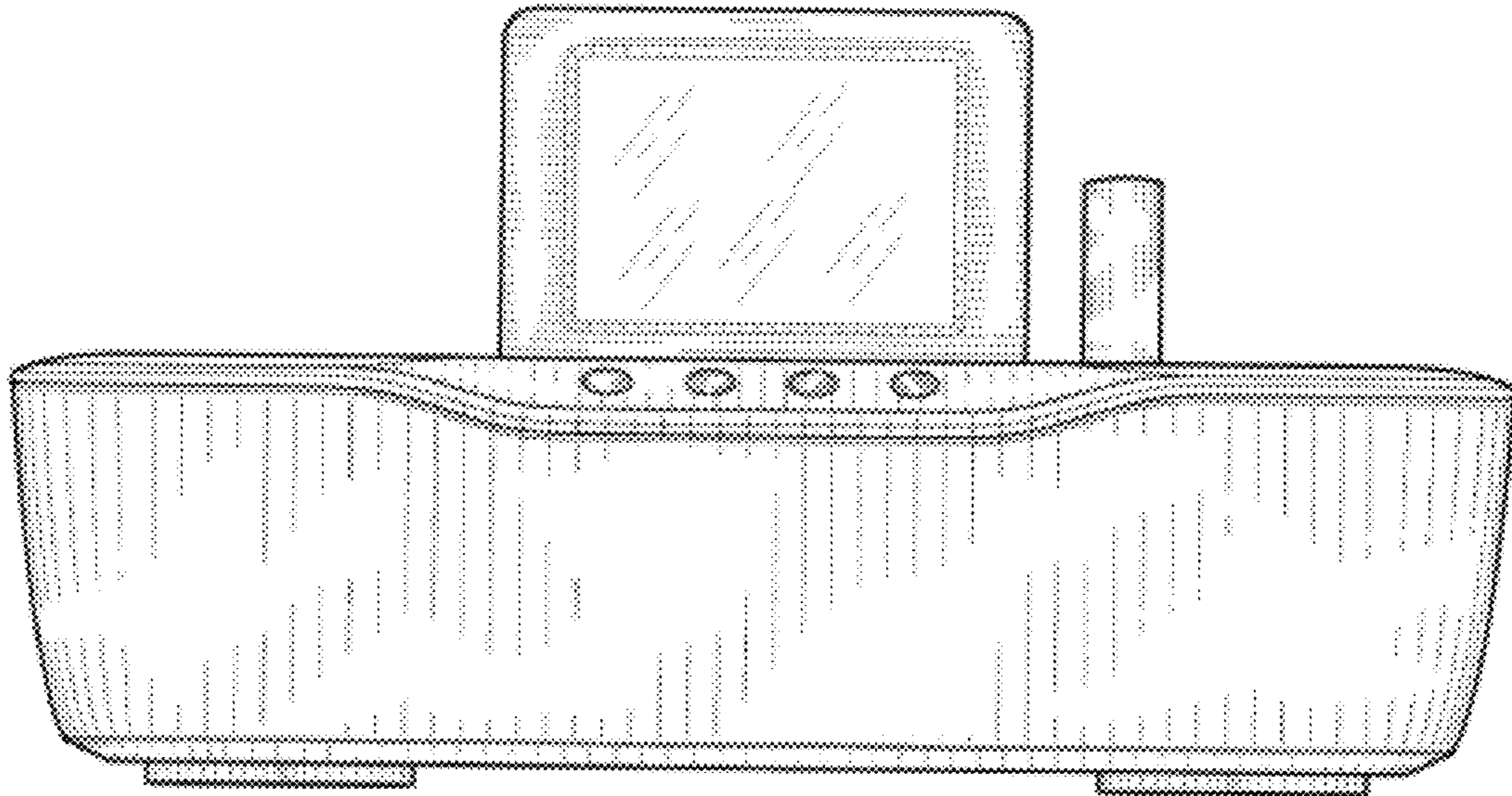


FIG. 2

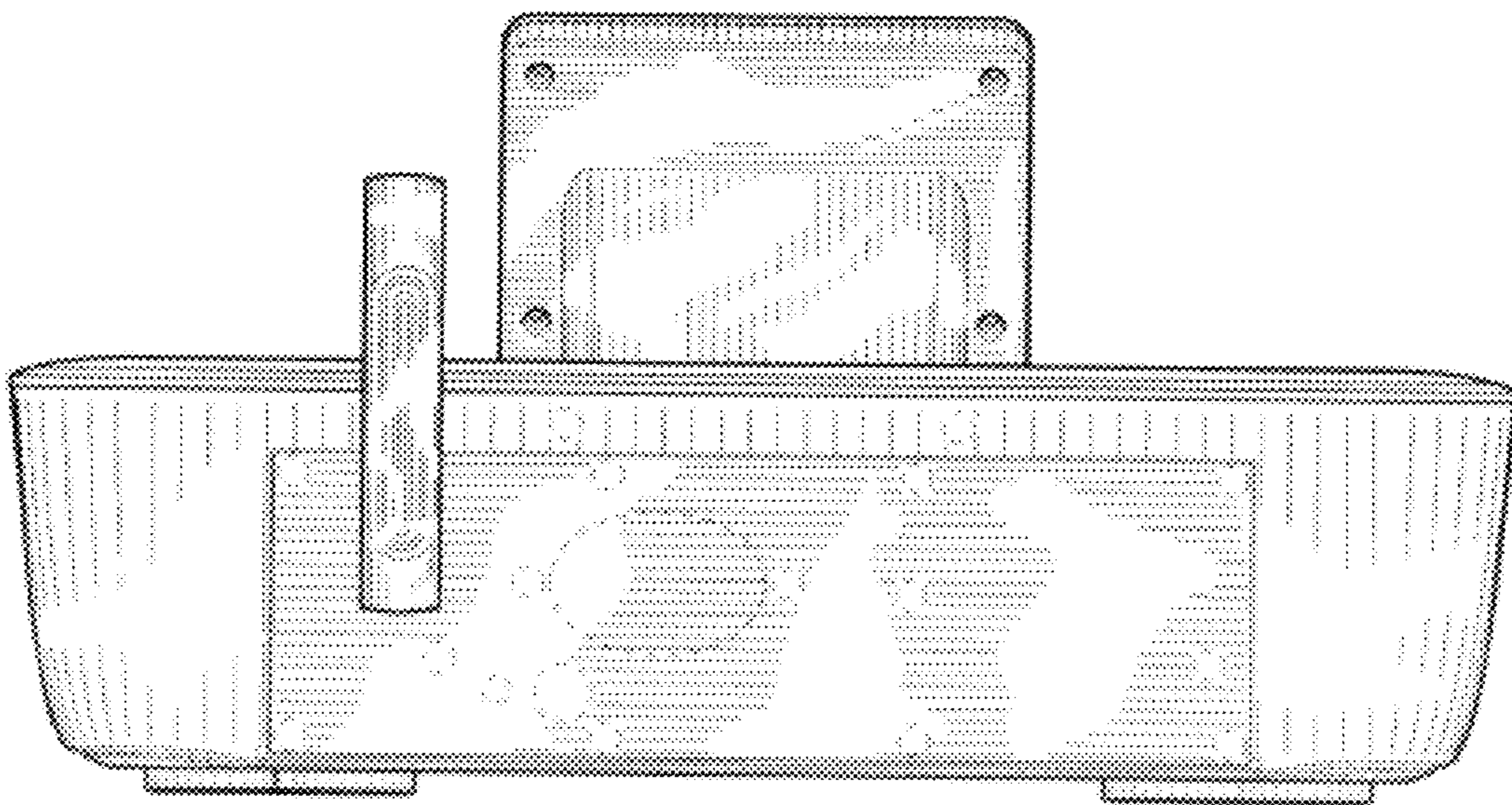


FIG. 3

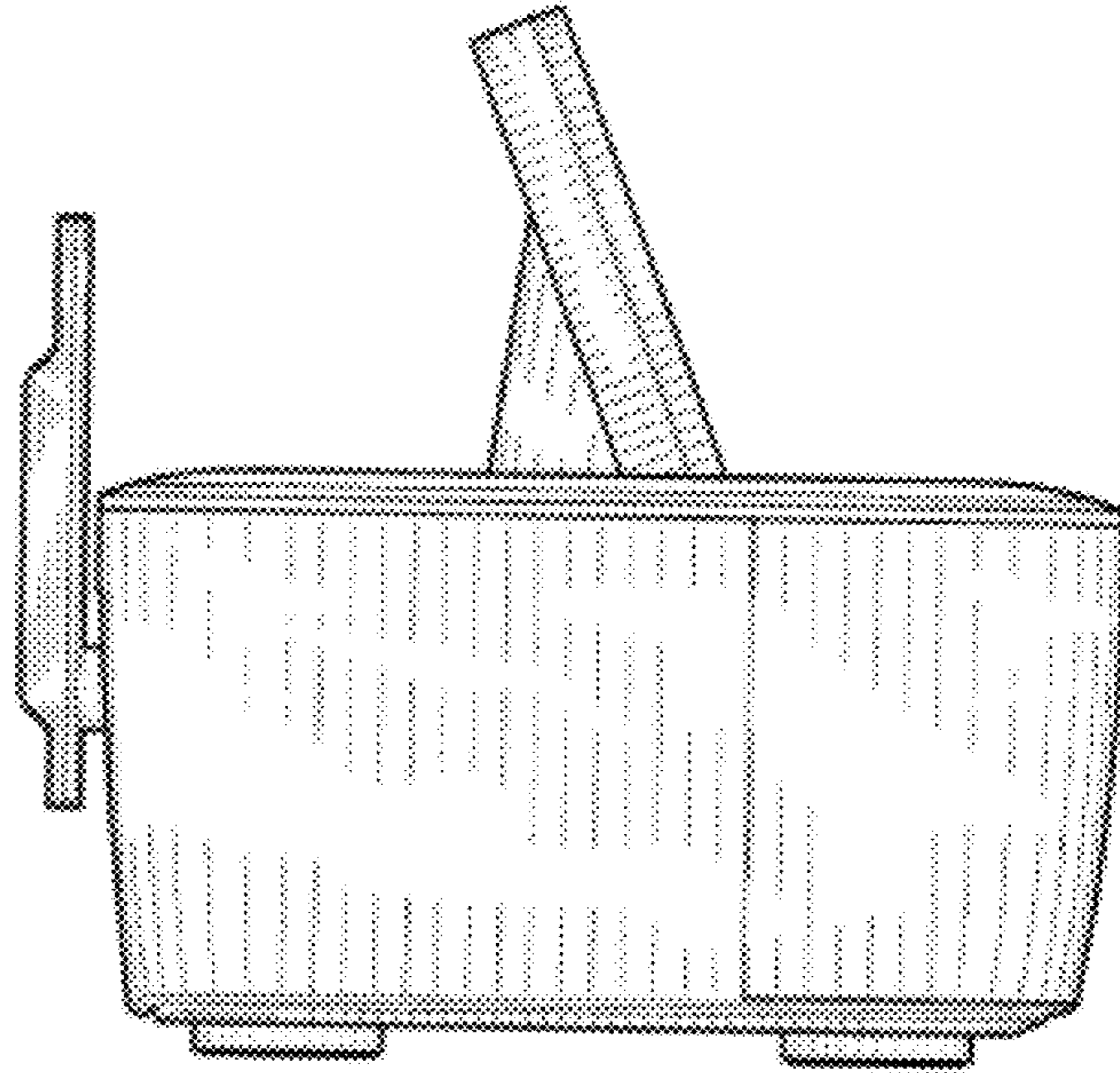


FIG. 4

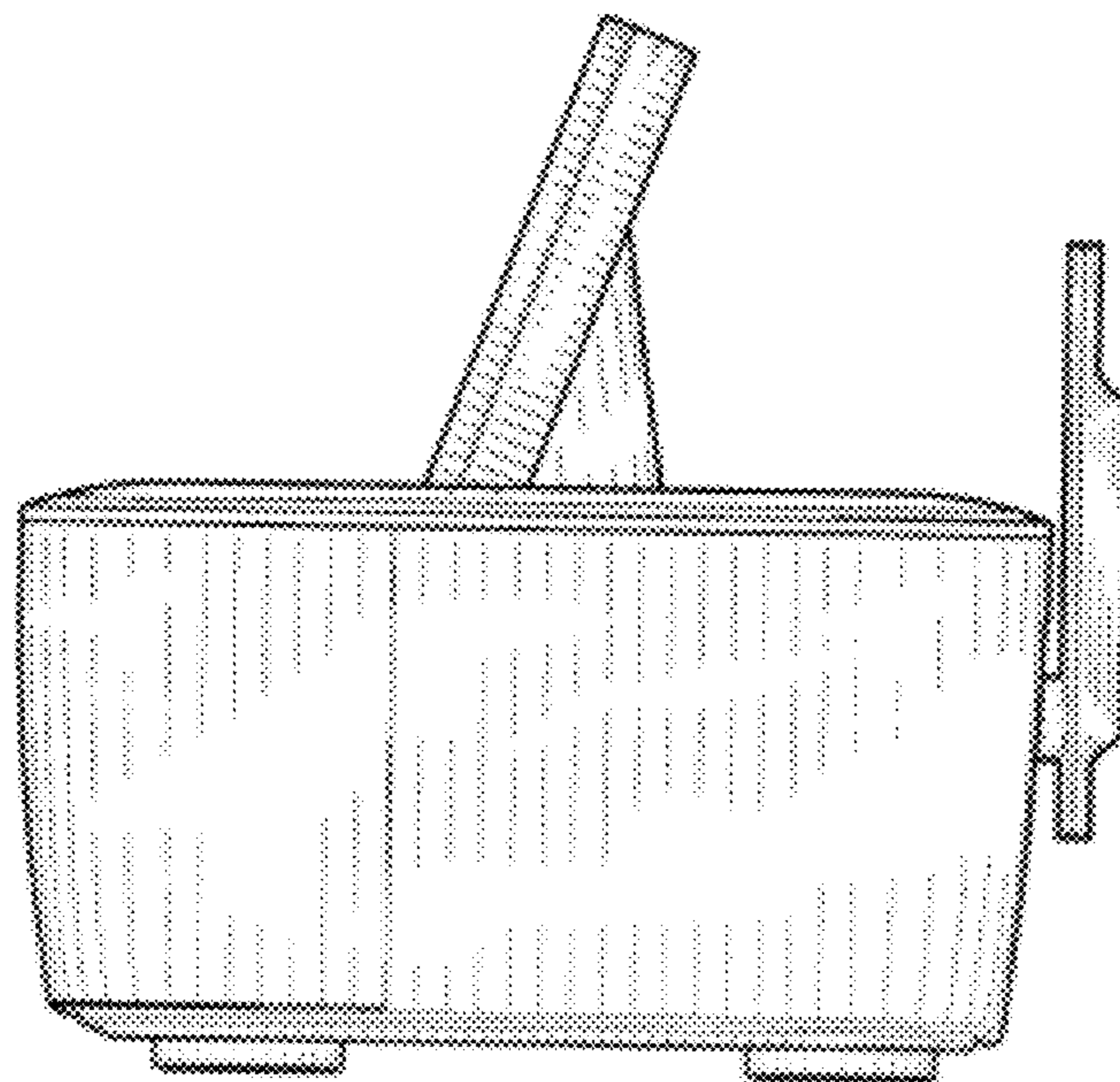


FIG. 5

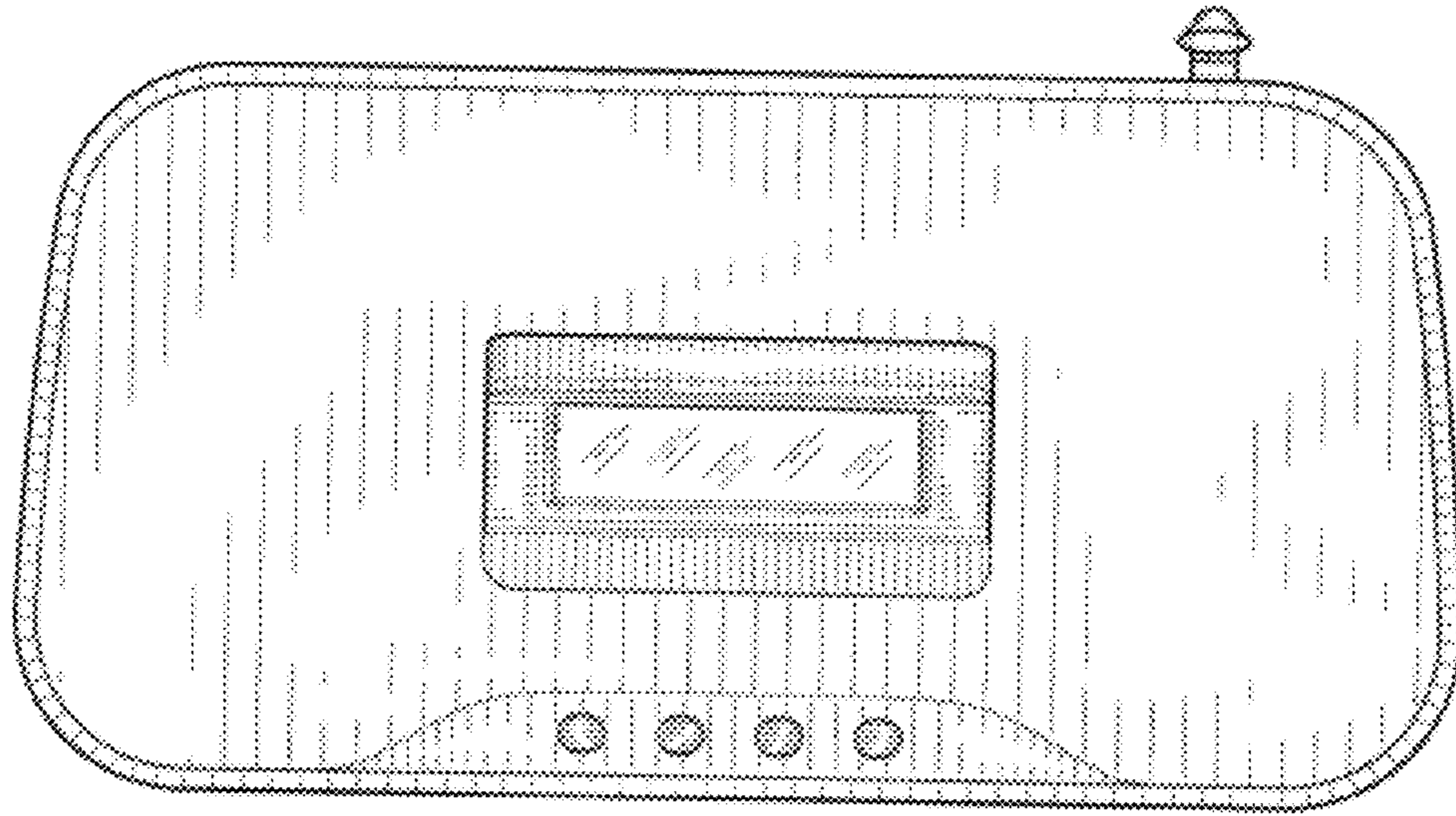


FIG. 6

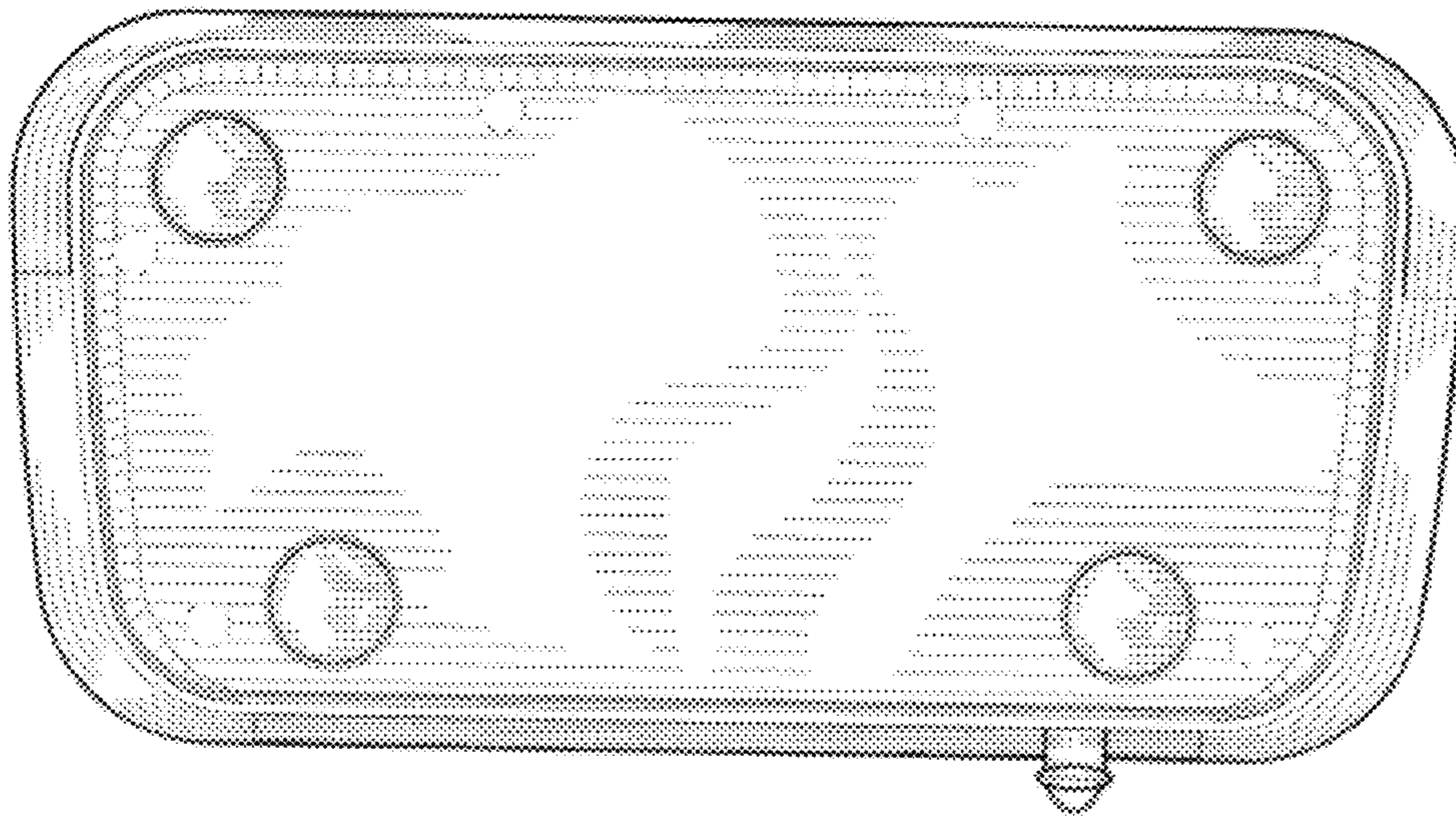


FIG. 7