

US00D665377S

(12) **United States Design Patent**
Endo et al.

(10) **Patent No.:** **US D665,377 S**
(45) **Date of Patent:** **** Aug. 14, 2012**

(54) **AMPLIFIER FOR VEHICLE**
(75) Inventors: **Hideki Endo**, Yokohama (JP);
Mitsuhiko Yashiro, Yokohama (JP)
(73) Assignee: **Alpine Electronics, Inc.**, Tokyo (JP)
(**) Term: **14 Years**
(21) Appl. No.: **29/373,952**

D415,493 S * 10/1999 Shieber D14/188
D416,558 S * 11/1999 Harrington D14/188
D446,204 S * 8/2001 Smith D14/188
D449,288 S * 10/2001 Sogabe D14/188
D535,282 S 1/2007 Ichikawa et al.
D549,687 S 8/2007 Ichikawa
D551,205 S 9/2007 Ichikawa
D571,781 S * 6/2008 Yamamoto et al. D14/188
D610,125 S 2/2010 Ichikawa et al.
D634,729 S 3/2011 Endo et al.

* cited by examiner

(22) Filed: **Jun. 14, 2011**

Primary Examiner — Keli L Hill

(30) **Foreign Application Priority Data**

Dec. 14, 2010 (JP) 2010-029697

(74) *Attorney, Agent, or Firm* — Brinks Hofer Gilson & Lione

(51) **LOC (9) Cl.** **14-03**

(52) **U.S. Cl.** **D14/188**

(58) **Field of Classification Search** D14/188,
D14/197, 217, 257, 258, 265, 162, 167-169,
D14/175, 194, 215, 496; 455/344-351; 330/1 R,
330/3, 4, 250; 381/86, 120

See application file for complete search history.

(57) **CLAIM**

The ornamental design for an amplifier for a vehicle, as shown and described.

(56) **References Cited**

U.S. PATENT DOCUMENTS

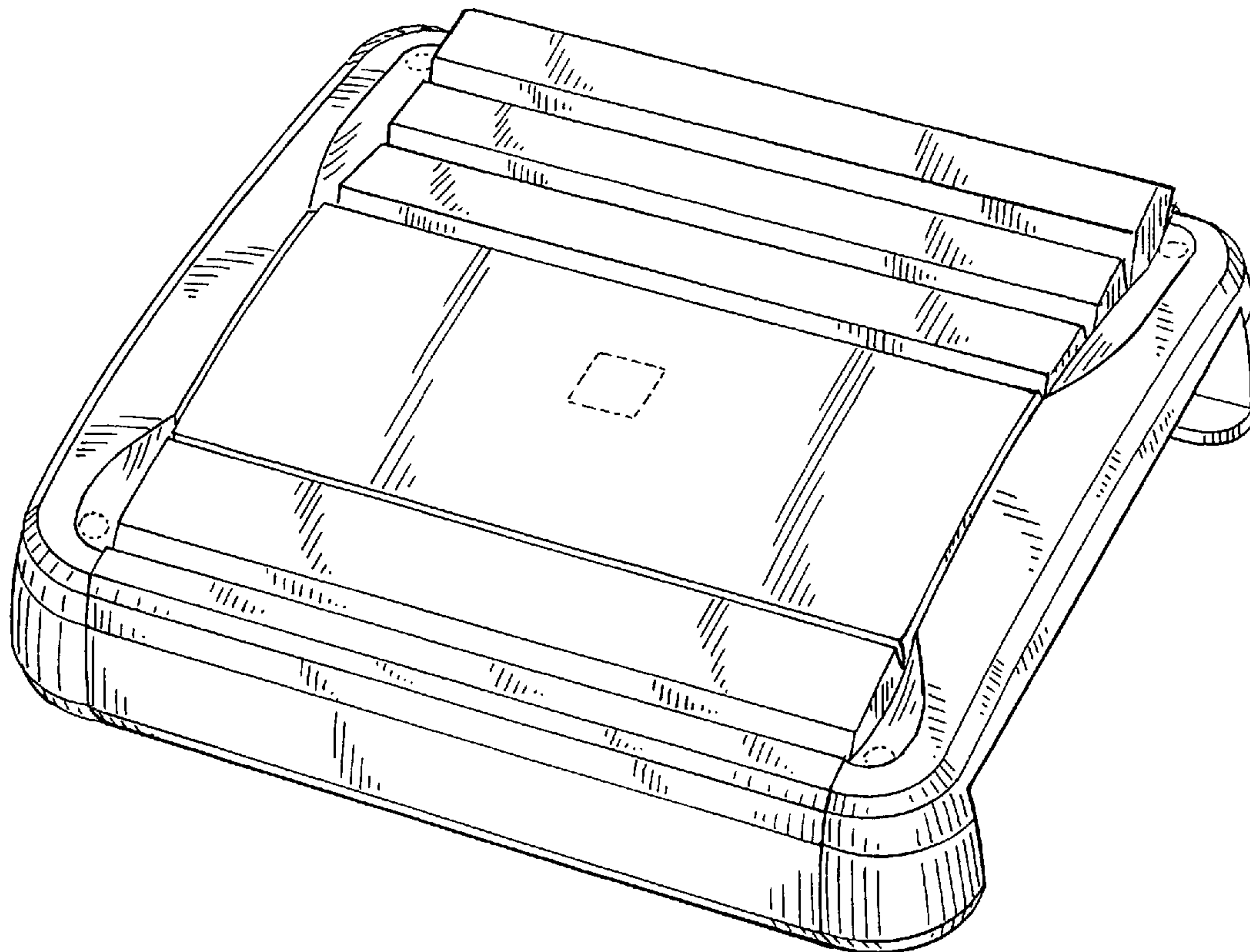
D343,395 S * 1/1994 Kakizaki D14/188
D386,761 S * 11/1997 Pleitz D14/188
D400,206 S * 10/1998 Mahgerefteh D14/188
D415,157 S * 10/1999 Rabbani D14/188

DESCRIPTION

FIG. 1 is a perspective view of an amplifier for a vehicle showing our new, original and ornamental design;
FIG. 2 is a top view thereof;
FIG. 3 is a front view thereof;
FIG. 4 is a right side view thereof;
FIG. 5 is a left side view thereof;
FIG. 6 is a rear view thereof; and,
FIG. 7 is a bottom view thereof.

The broken lines are for environmental purposes only and do not form any part of the claimed design.

1 Claim, 4 Drawing Sheets



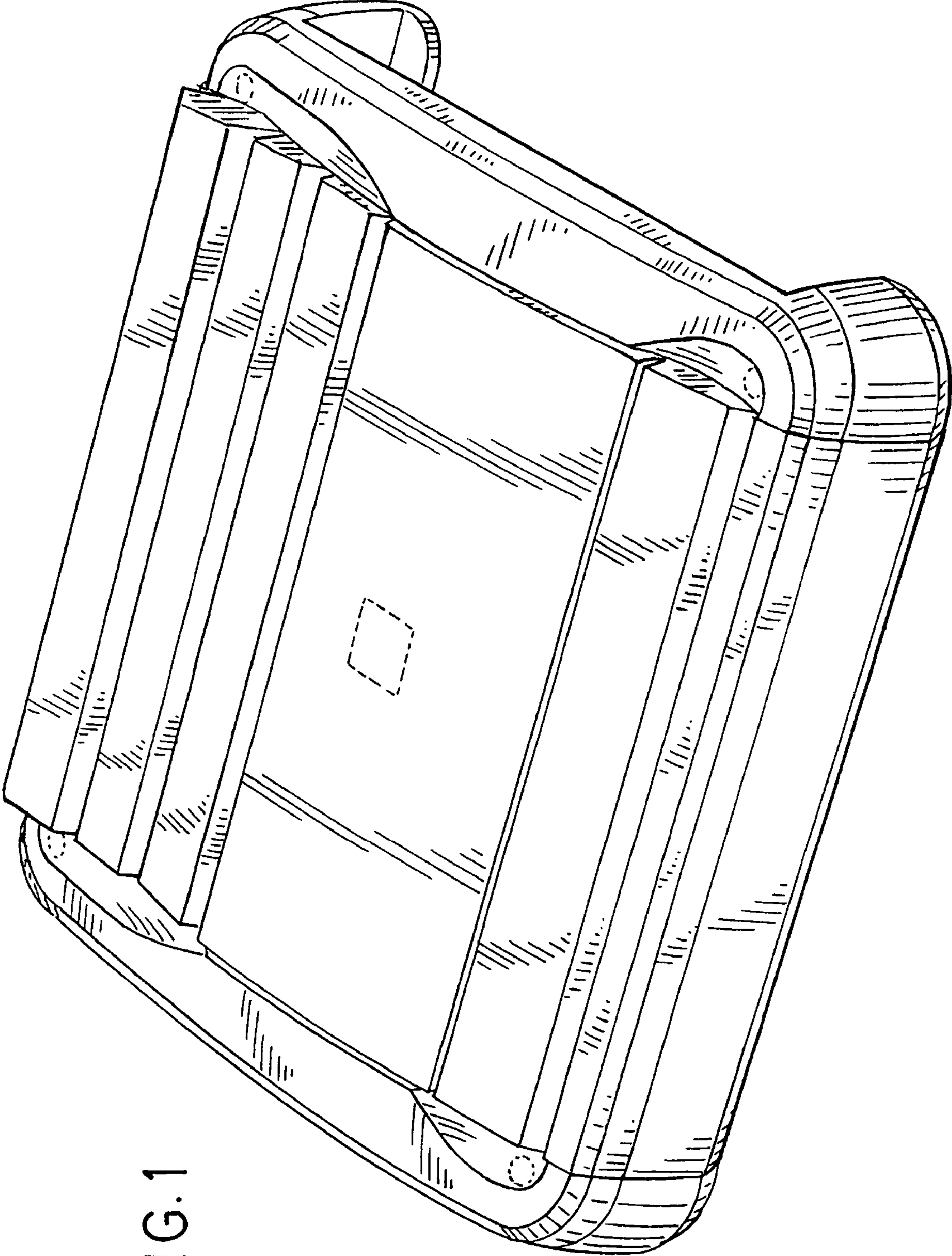


FIG.1

FIG. 2

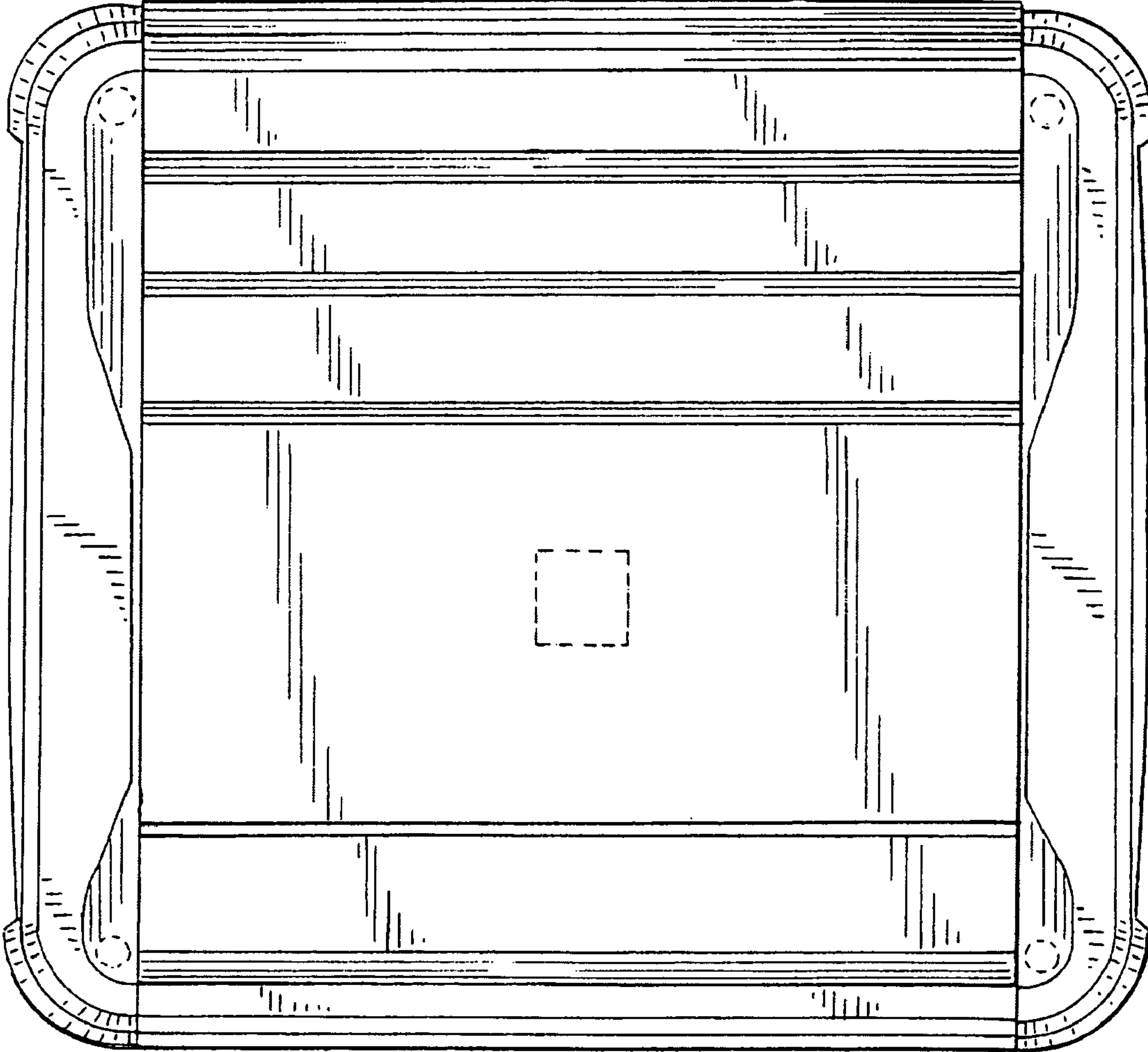


FIG. 3

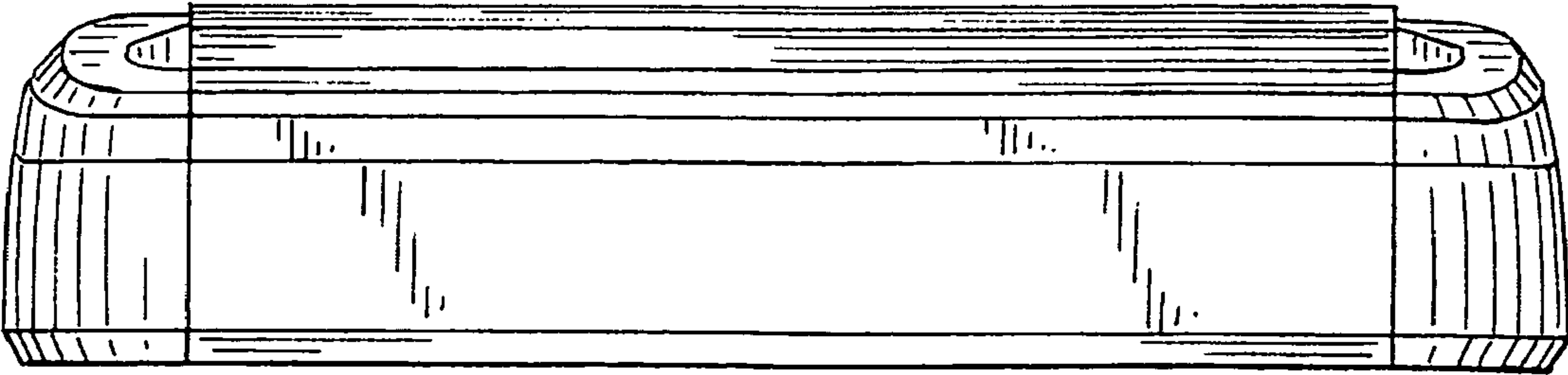


FIG. 4

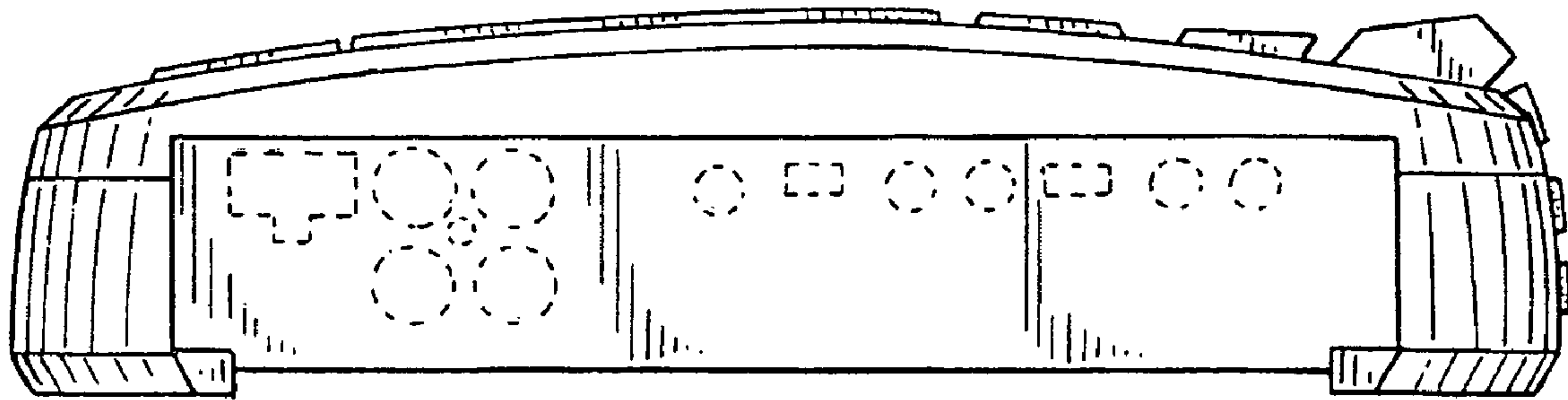


FIG. 5

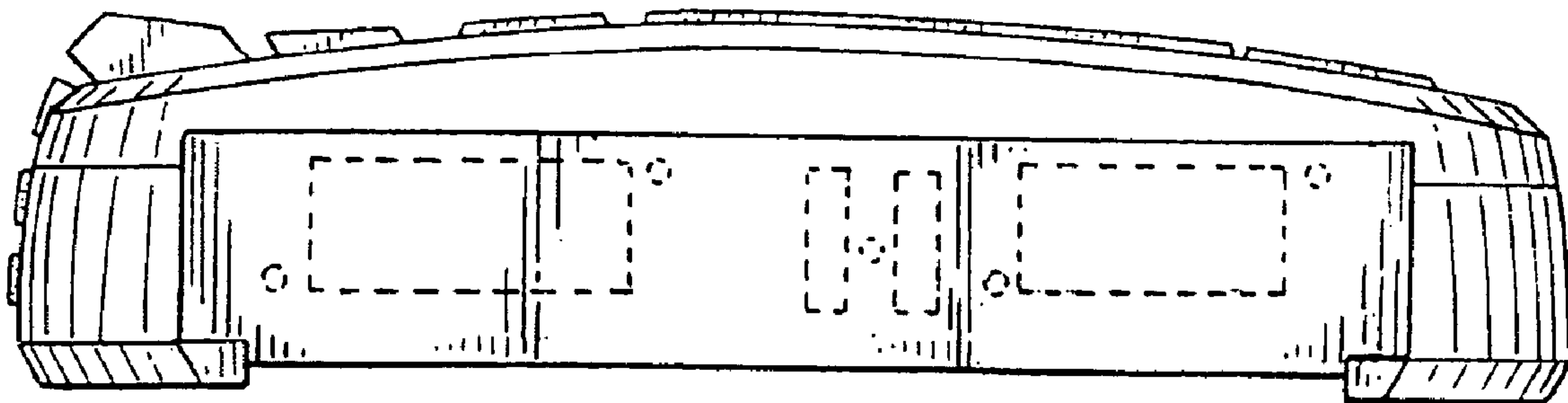


FIG. 6

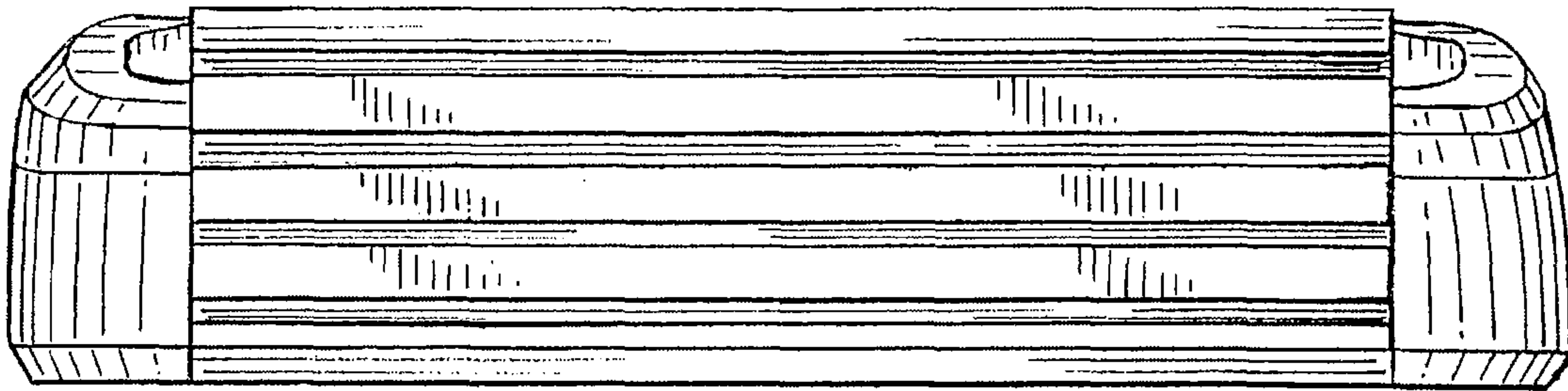


FIG. 7

