



US00D665374S

(12) **United States Design Patent**
Park et al.

(10) **Patent No.:** **US D665,374 S**
(45) **Date of Patent:** **** Aug. 14, 2012**

(54) **COMMUNICATION DEVICE**

(75) Inventors: **Cheol Woo Park**, Chicago, IL (US);
Jian-Ming Fan, Beijing (CN); **Shane Lee**, Beijing (CN)

(73) Assignee: **Motorola Mobility LLC**, Libertyville, IL (US)

(**) Term: **14 Years**

(21) Appl. No.: **29/408,217**

(22) Filed: **Dec. 8, 2011**

(51) **LOC (9) Cl.** **14-03**

(52) **U.S. Cl.** **D14/138 AA**

(58) **Field of Classification Search** D14/138 AA,
D14/138 R, 138 C, 496, 346, 203.1, 203.4,
D14/203.7, 147, 148, 218, 426; D21/517;
455/575.1, 556.2; 379/433.01, 433.04; D13/168
See application file for complete search history.

(56) **References Cited**

U.S. PATENT DOCUMENTS

D488,810	S	*	4/2004	Lin et al.	D14/341
D550,662	S	*	9/2007	Kim et al.	D14/248
D556,171	S	*	11/2007	Lee et al.	D14/138 AA
D562,314	S	*	2/2008	Han et al.	D14/248
D563,379	S	*	3/2008	Mai et al.	D14/138 AA
D569,824	S	*	5/2008	Cobb et al.	D14/138 AA
D576,993	S	*	9/2008	Park et al.	D14/138 AA
D609,208	S	*	2/2010	Cheng	D14/138 AA
D609,209	S	*	2/2010	Cheng	D14/138 AA
D609,669	S	*	2/2010	Li et al.	D14/138 AA
D610,122	S	*	2/2010	Kim et al.	D14/138 AA

(Continued)

OTHER PUBLICATIONS

Motorola WX306 telephone, announced Dec. 2011, [online], [site visited Mar. 23, 2012]. Available from Internet, <URL: <http://www.gsmarena.com>>.*

(Continued)

Primary Examiner — Jeffrey D Asch

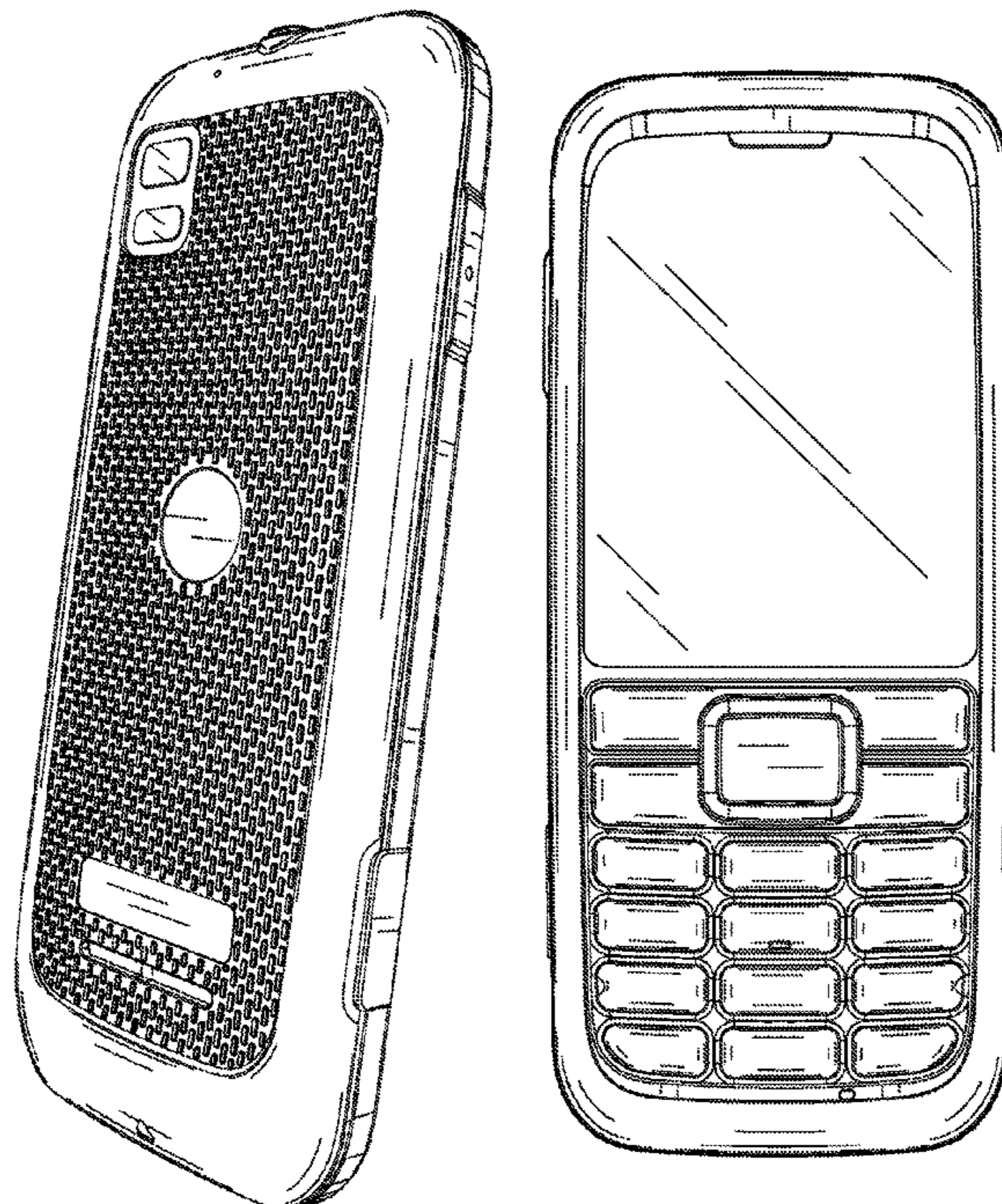
(57) **CLAIM**

The ornamental design for a communication device, as shown and described.

DESCRIPTION

FIG. 1 is a front perspective view of a first embodiment of an ornamental design for a communication device;
FIG. 2 is a rear perspective view of the first embodiment thereof;
FIG. 3 is a front view of the first embodiment thereof;
FIG. 4 is a rear view of the first embodiment thereof;
FIG. 5 is a first side view of the first embodiment thereof;
FIG. 6 is a second side view of the first embodiment thereof;
FIG. 7 is a top view of the first embodiment thereof; and
FIG. 8 is a bottom view of the first embodiment thereof.
FIG. 9 is a front perspective view of a second embodiment of an ornamental design for a communication device;
FIG. 10 is a rear perspective view of the second embodiment thereof;
FIG. 11 is a front view of the second embodiment thereof;
FIG. 12 is a rear view of the second embodiment thereof;
FIG. 13 is a first side view of the second embodiment thereof;
FIG. 14 is a second side view of the second embodiment thereof;
FIG. 15 is a top view of the second embodiment thereof; and,
FIG. 16 is a bottom view of the second embodiment thereof.

1 Claim, 12 Drawing Sheets



U.S. PATENT DOCUMENTS

D614,599	S	*	4/2010	Kim et al.	D14/138 AA
D617,299	S	*	6/2010	Tzeng et al.	D14/138 AA
D620,466	S	*	7/2010	Kim et al.	D14/138 AA
D621,807	S	*	8/2010	Stone	D14/138 AA
D628,186	S	*	11/2010	Yang	D14/138 AA
D632,272	S	*	2/2011	Zuffo et al.	D14/138 AA
D639,259	S	*	6/2011	Anderson	D14/138 AA
D639,264	S	*	6/2011	Tsai	D14/138 AA
D639,265	S	*	6/2011	Kao	D14/138 AA
D643,828	S	*	8/2011	Chen	D14/138 AA
D643,829	S	*	8/2011	Castano	D14/138 AA
D648,310	S	*	11/2011	Choi et al.	D14/138 AA
D649,130	S	*	11/2011	Ge et al.	D14/138 AA
2008/0015934	A1	*	1/2008	Kim et al.	705/14

OTHER PUBLICATIONS

Motorola WX294 telephone, announced Jul. 2011, [online], [site visited Mar. 23, 2012]. Available from Internet, <URL: <http://www.gsmarena.com>>.*

Samsung E3210 telephone, announced Feb. 2011, [online], [site visited Mar. 23, 2012]. Available from Internet, <URL: <http://www.gsmarena.com>>.*

Samsung E1070 telephone, announced Feb. 2009, [online], [site visited Mar. 23, 2012]. Available from Internet, <URL: <http://www.gsmarena.com>>.*

Samsung E1110 telephone, announced Nov. 2008, [online], [site visited Mar. 23, 2012]. Available from Internet, <URL: <http://www.gsmarena.com>>.*

Vodafone 540 telephone, announced Nov. 2009, [online], [site visited Mar. 23, 2012]. Available from Internet, <URL: <http://www.gsmarena.com>>.*

Micromax X2i plus telephone, announced Feb. 2010, [online], [site visited Mar. 23, 2012]. Available from Internet, <URL: <http://www.gsmarena.com>>.*

Samsung W169 Duos telephone, announced 2010, [online], [site visited Mar. 23, 2012]. Available from Internet, <URL: <http://www.gsmarena.com>>.*

Nokia 6070 telephone, announced Feb. 2006, [online], [site visited Mar. 23, 2012]. Available from Internet, <URL: <http://www.gsmarena.com>>.*

U.S. Appl. No. 29/392,148, filed May 18, 2011, in the name of Cheol Woo Park, entitled "Communication Device".

* cited by examiner

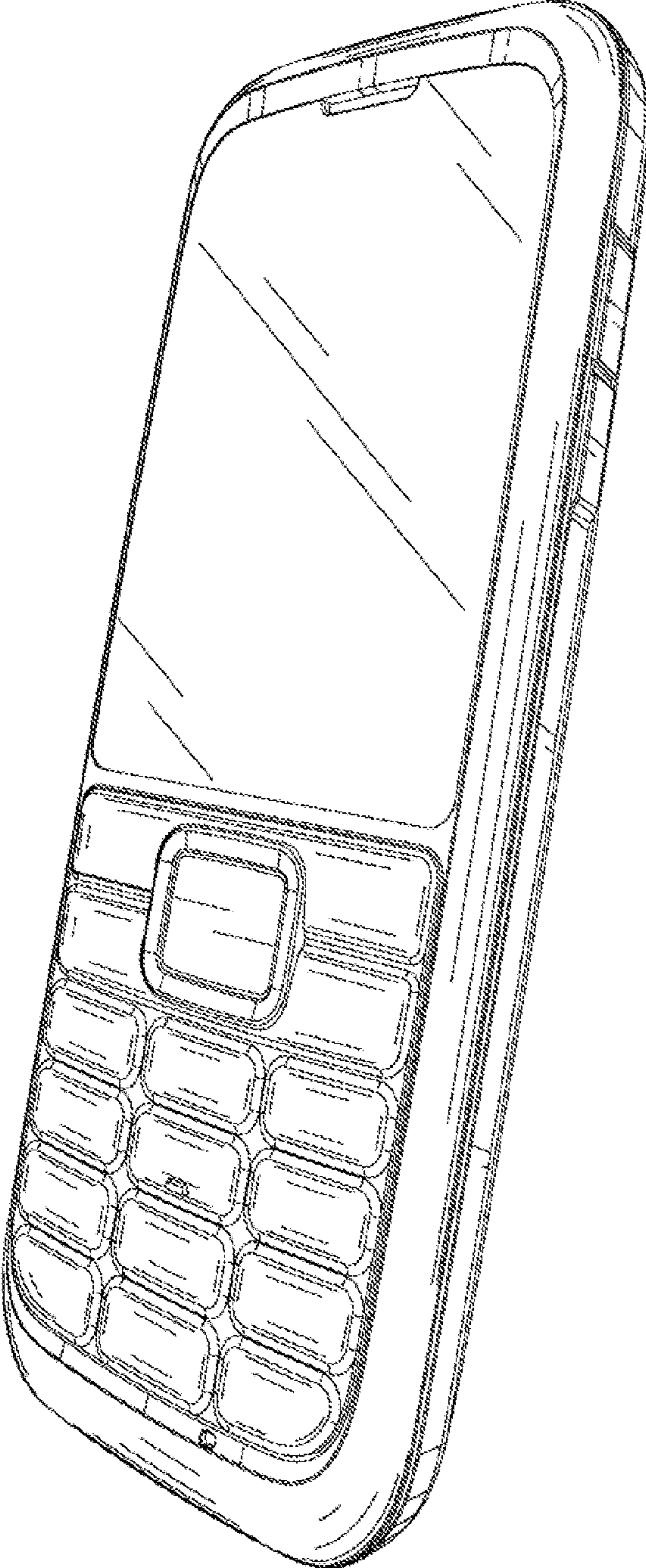


FIG. 1

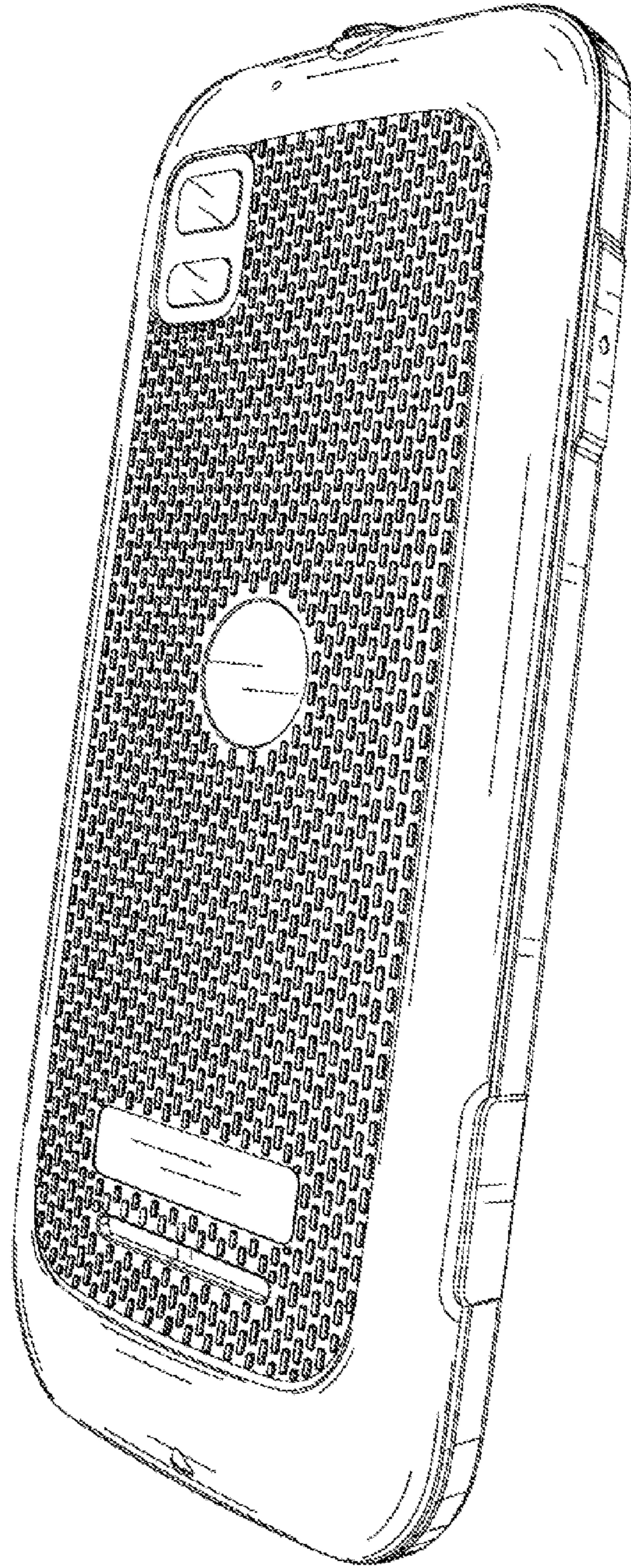


FIG. 2

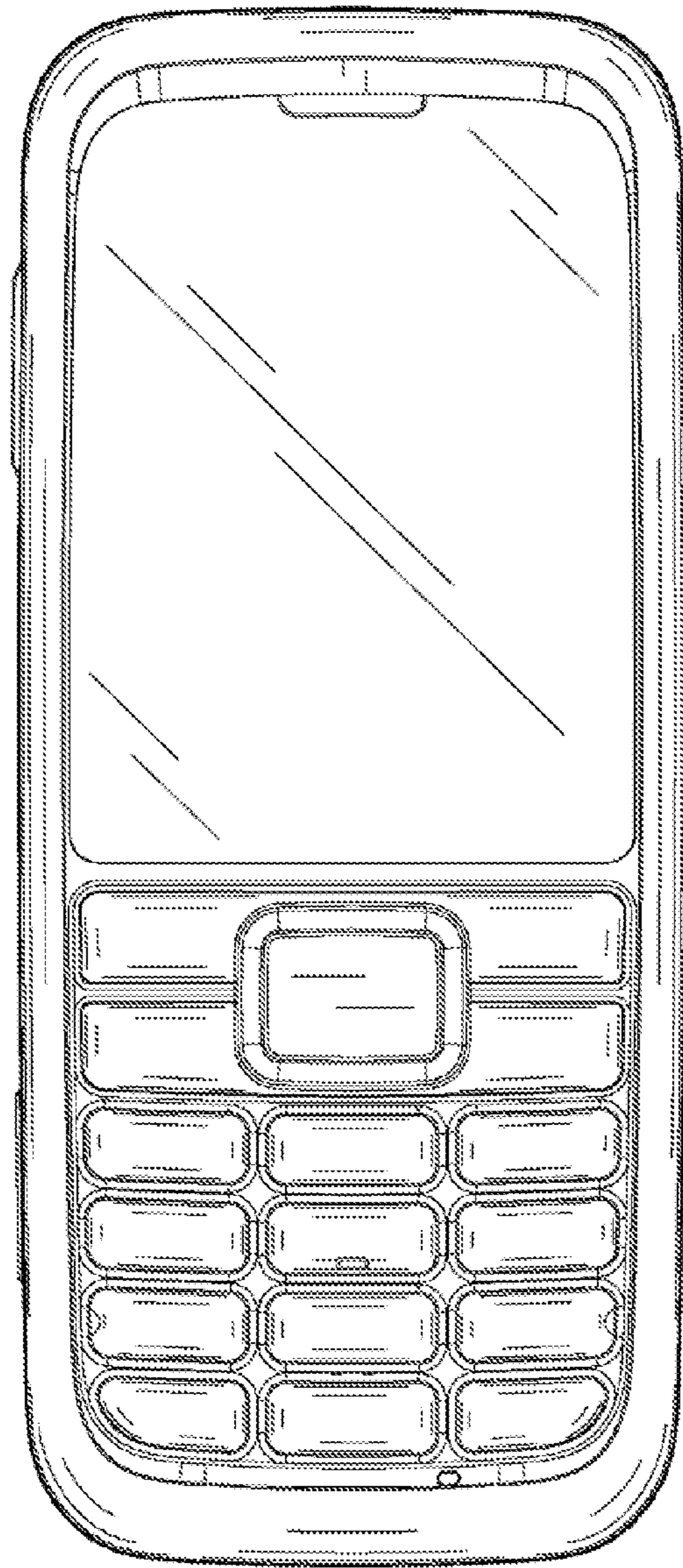


FIG. 3

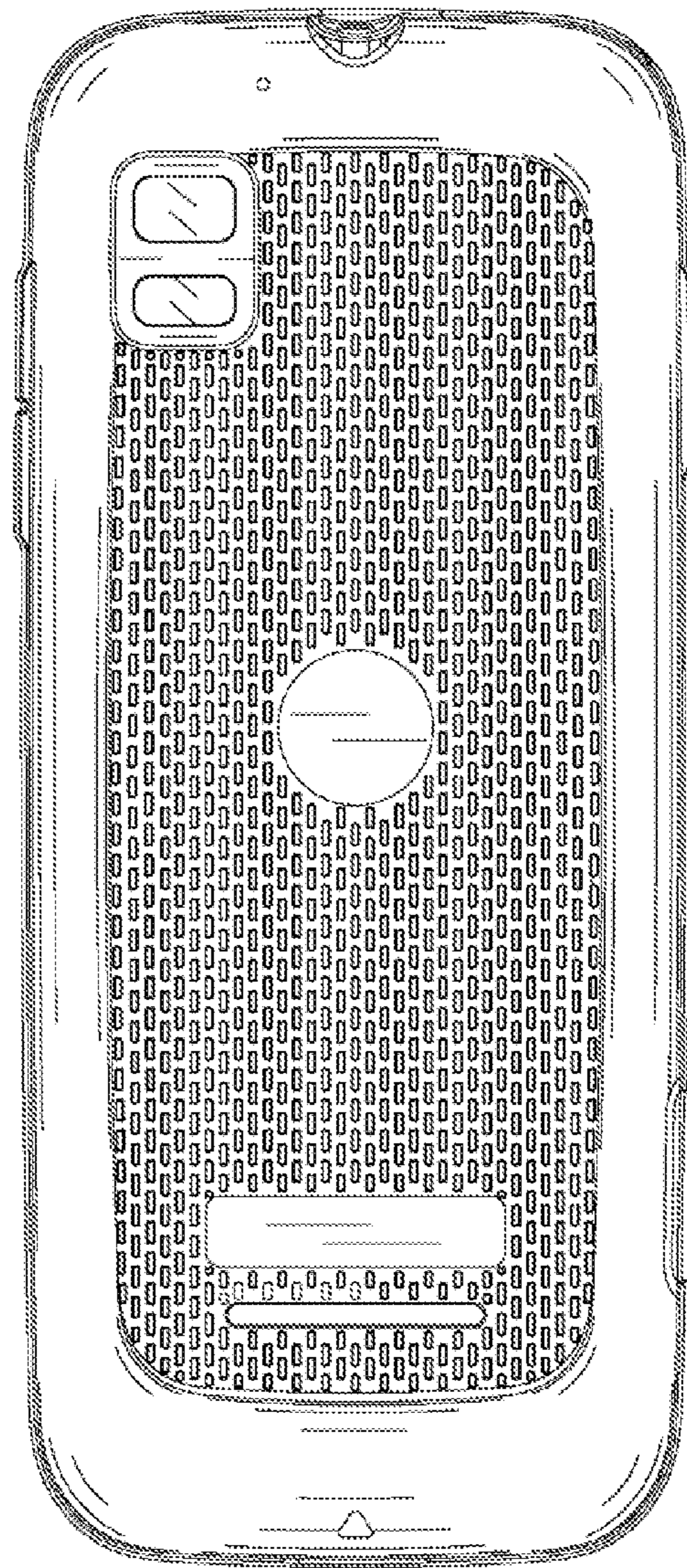


FIG. 4

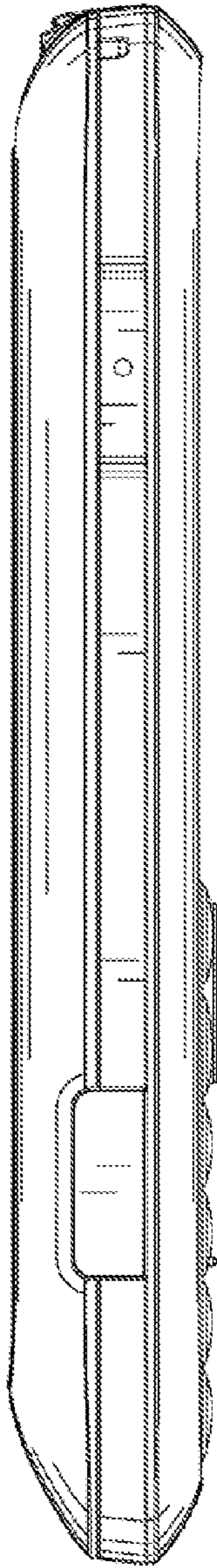


FIG. 5

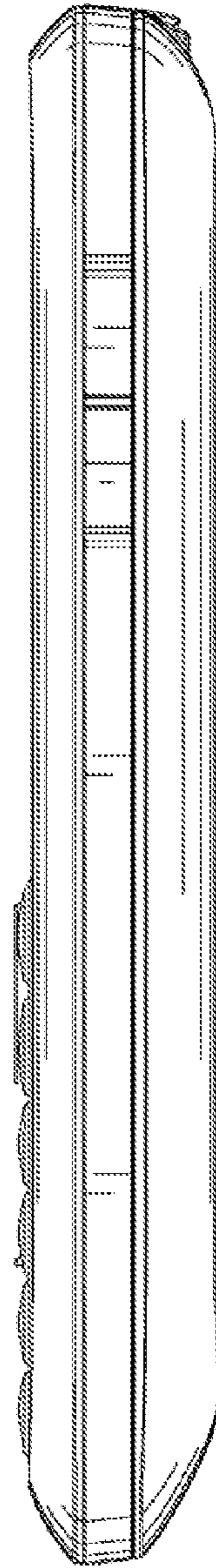


FIG. 6

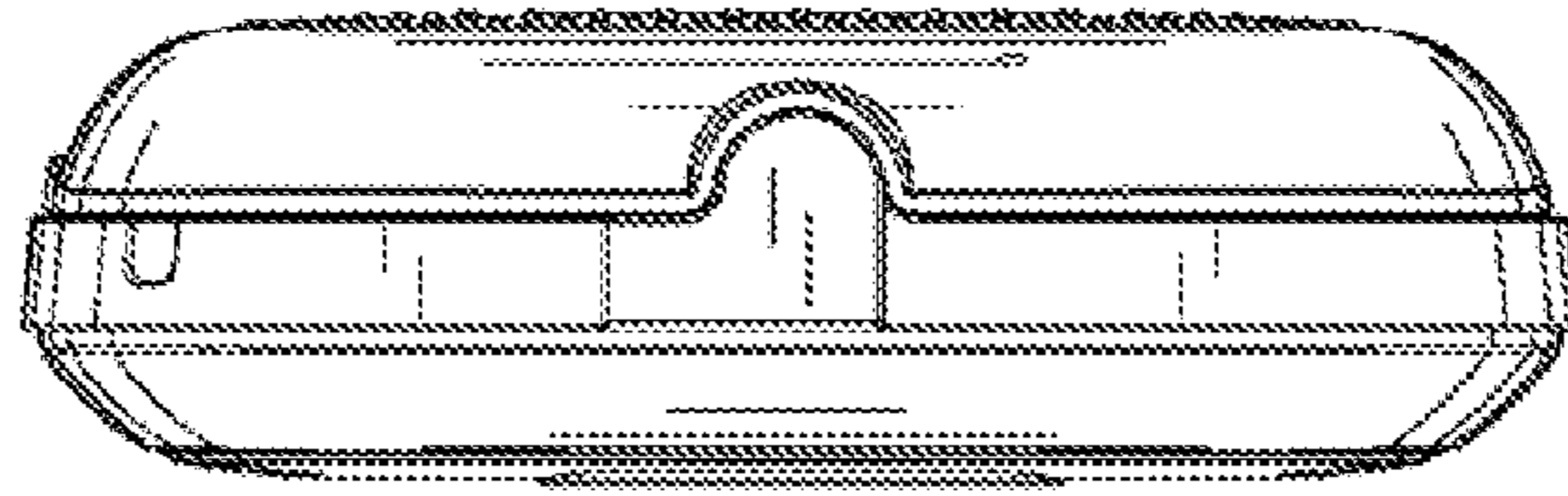


FIG. 7

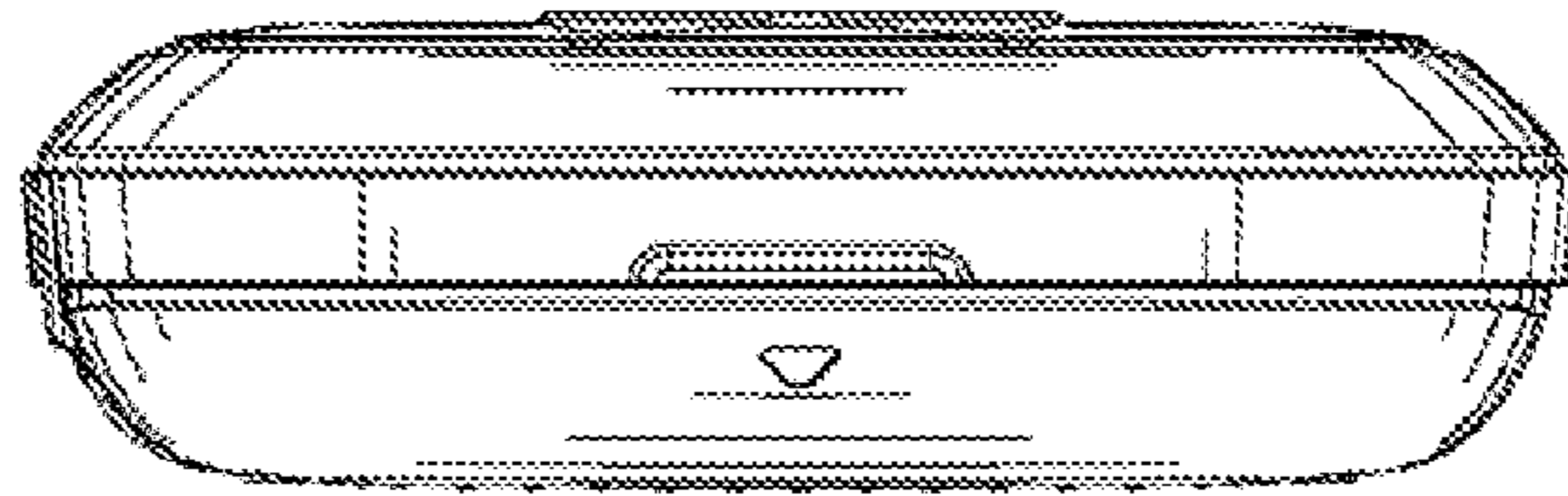


FIG. 8

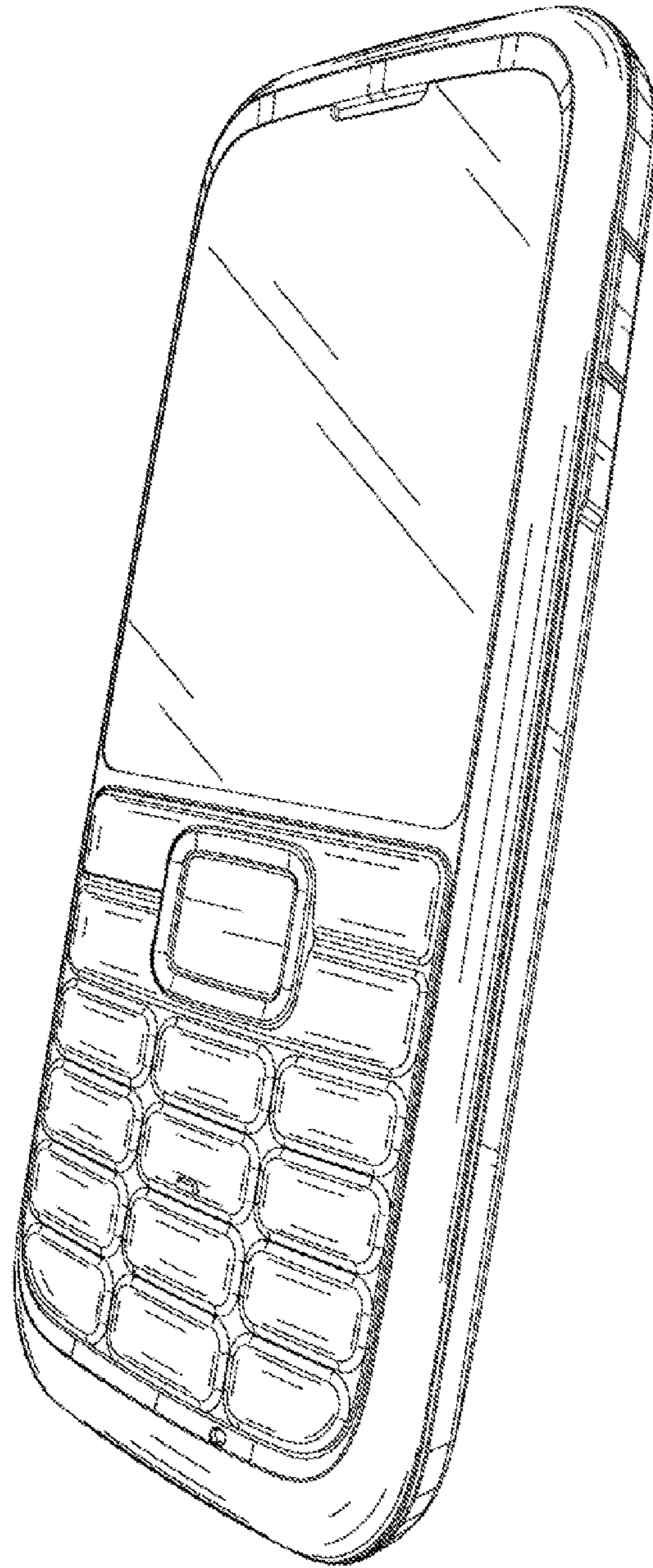


FIG. 9

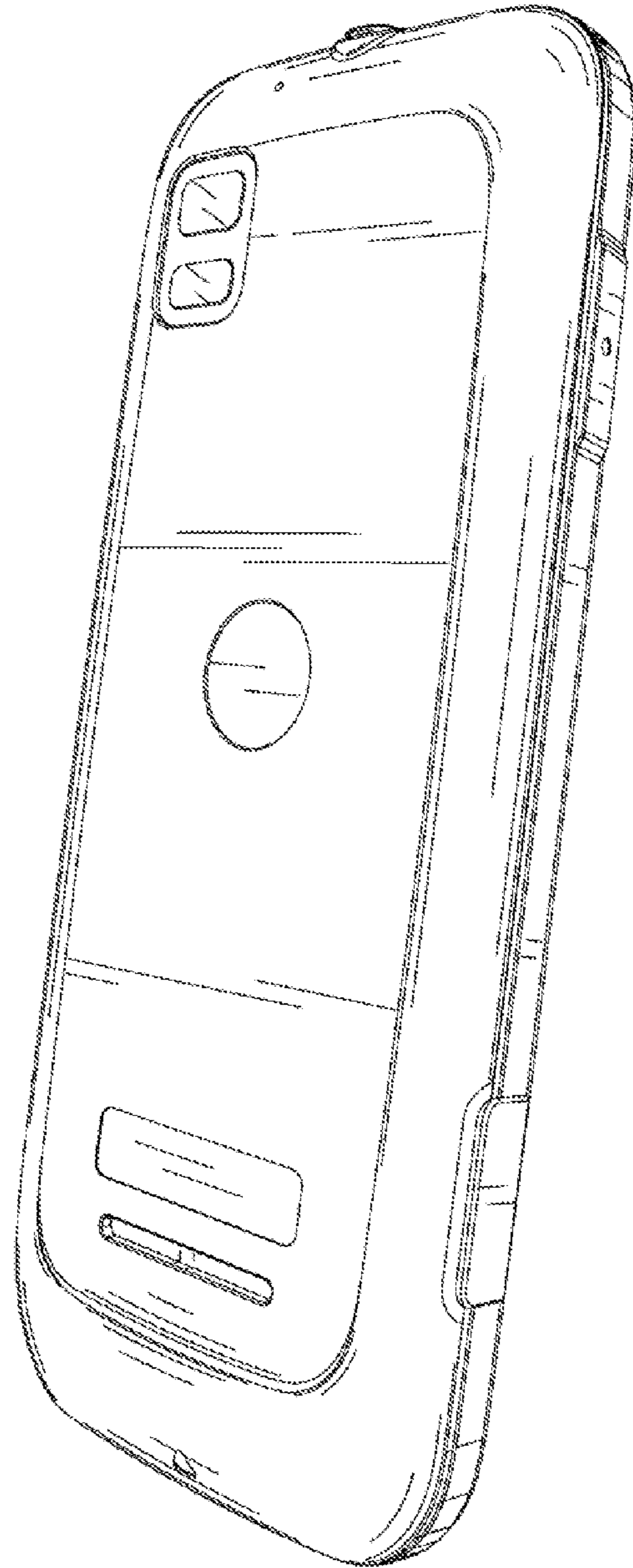


FIG. 10

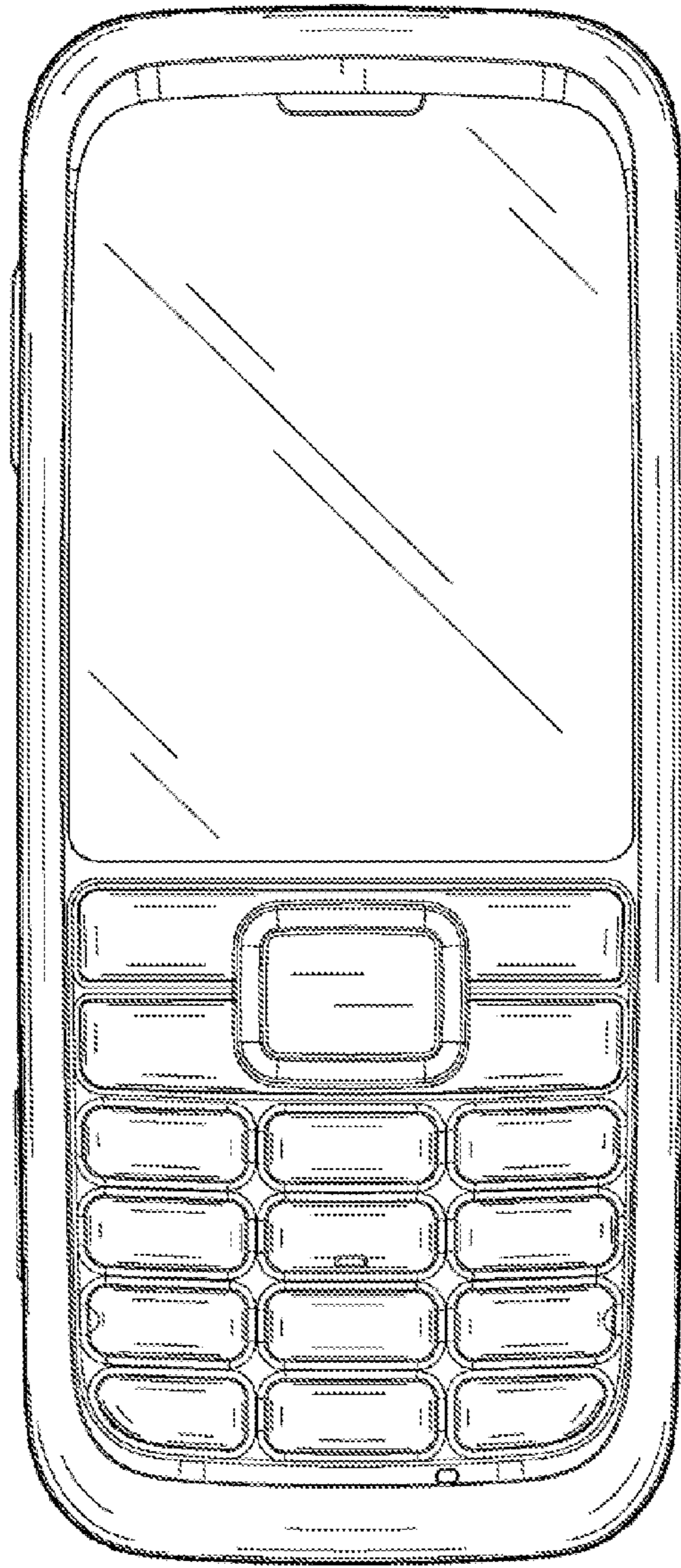


FIG. 11

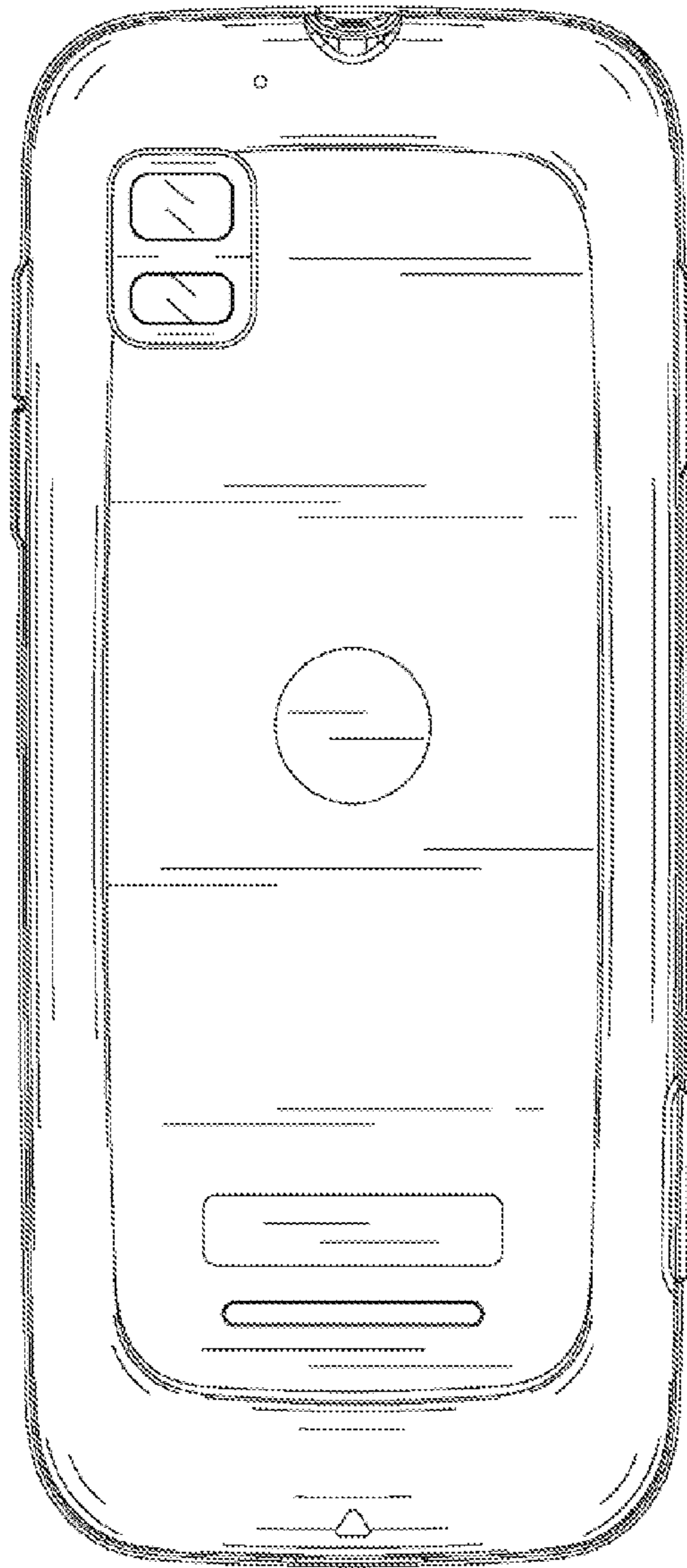


FIG. 12

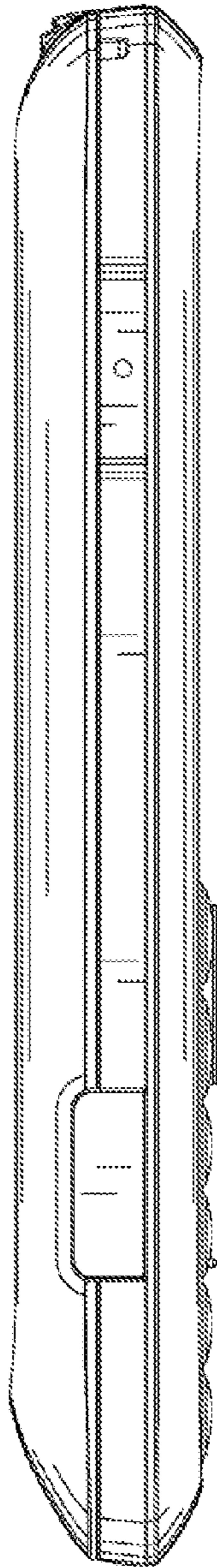


FIG. 13

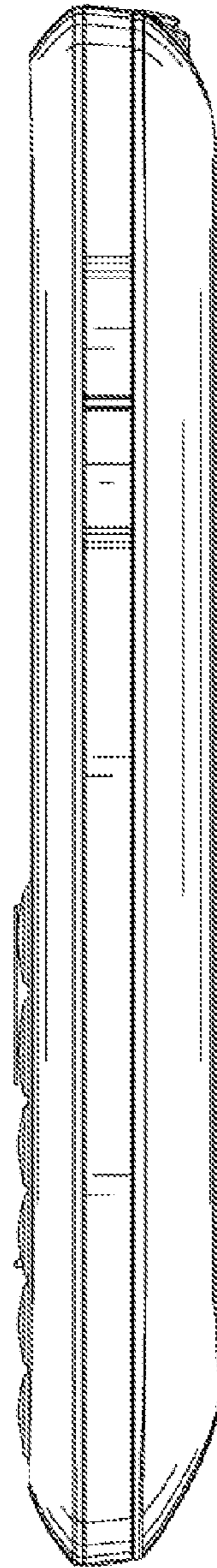


FIG. 14

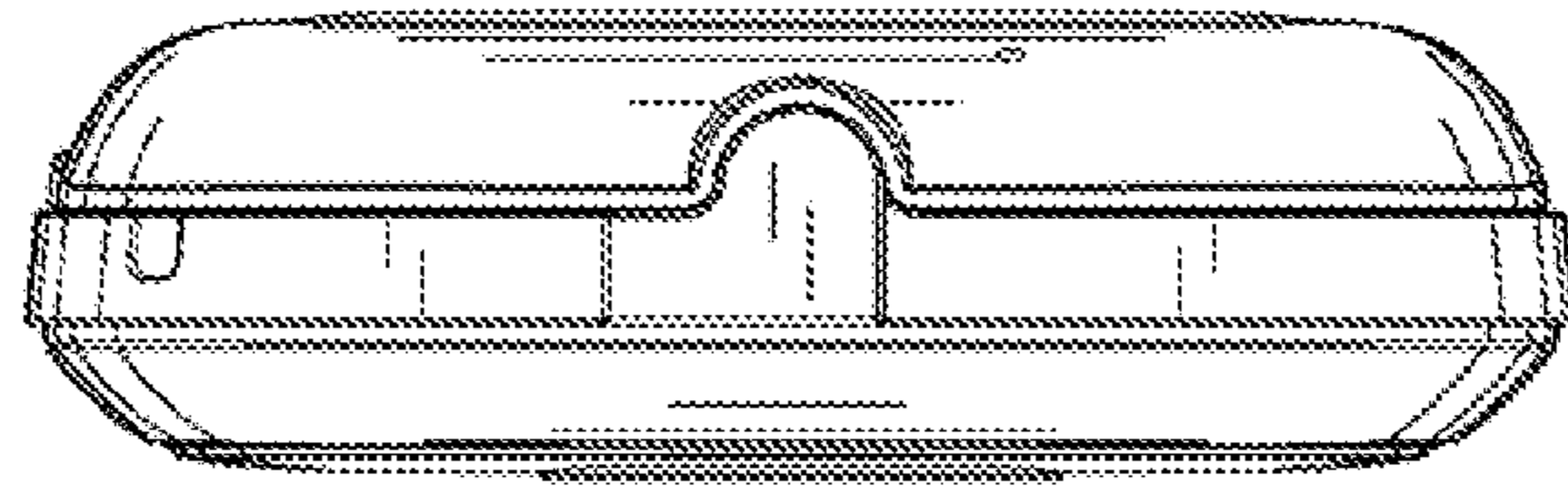


FIG. 15

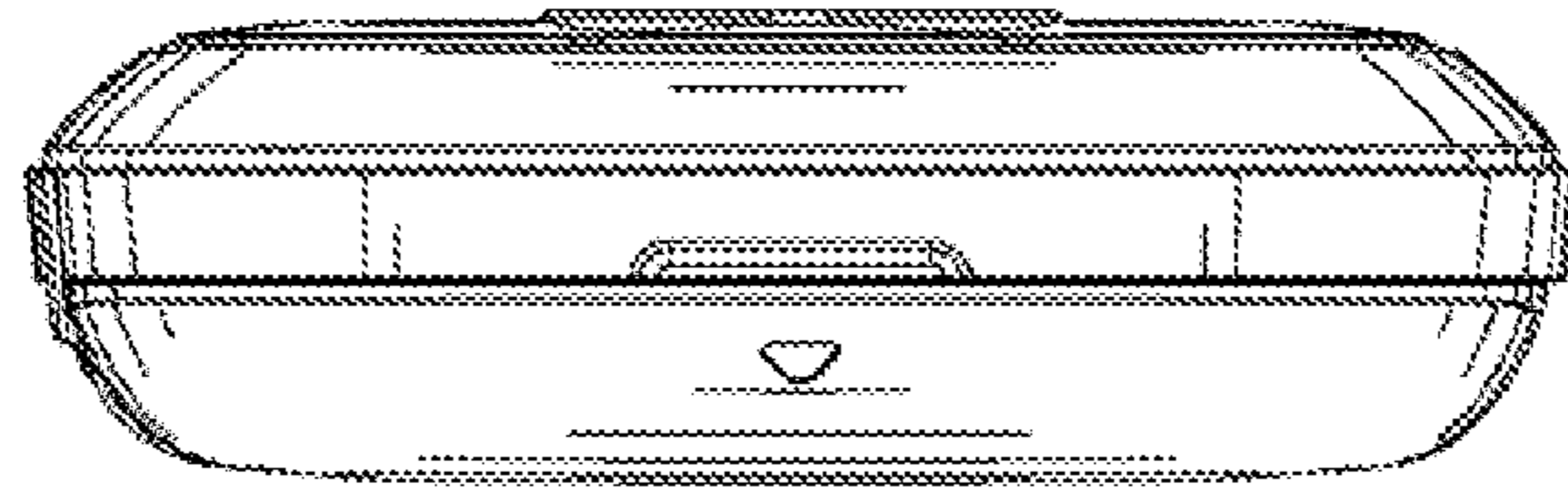


FIG. 16