



US00D665370S

(12) **United States Design Patent**
Chung

(10) **Patent No.:** **US D665,370 S**

(45) **Date of Patent:** **** Aug. 14, 2012**

(54) **TERMINAL FOR MOBILE COMMUNICATION**

(75) Inventor: **Jae-Woong Chung**, Seongnam-si (KR)

(73) Assignee: **Samsung Electronics Co., Ltd.**, Suwon-Si (KR)

(**) Term: **14 Years**

(21) Appl. No.: **29/397,290**

(22) Filed: **Jul. 14, 2011**

(30) **Foreign Application Priority Data**

May 30, 2011 (KR) 30-2011-0021941

(51) **LOC (9) Cl.** **14-03**

(52) **U.S. Cl.** **D14/138 AD; D14/138 G**

(58) **Field of Classification Search** D14/138 R, D14/138 AD, 138 AC, 138 C, 138 G, 191, D14/203.1-203.8, 496, 138 AA, 138 AB, D14/137, 147, 218, 341-347, 247-248; D10/65, D10/78, 104; D13/168; D18/7; 455/566, 455/575.1, 575.3, 575.4
See application file for complete search history.

(56) **References Cited**

U.S. PATENT DOCUMENTS

D504,889	S	*	5/2005	Andre et al.	D14/341
D514,558	S	*	2/2006	Nagel et al.	D14/341
D524,809	S	*	7/2006	Alcouloumre et al.	D14/341
D556,211	S	*	11/2007	Howard	D14/496
D580,392	S	*	11/2008	Kim et al.	D14/138 AD
D584,738	S	*	1/2009	Kim et al.	D14/496
D594,454	S	*	6/2009	Honda	D14/345
D598,016	S	*	8/2009	Han et al.	D14/341
D627,777	S	*	11/2010	Akana et al.	D14/341
D628,913	S	*	12/2010	Cheng	D10/65
D636,769	S	*	4/2011	Wood et al.	D14/341
D639,805	S	*	6/2011	Song et al.	D14/341
D641,018	S	*	7/2011	Lee et al.	D14/341
D645,435	S	*	9/2011	Kim et al.	D14/138 G

D645,833	S	*	9/2011	Seflic et al.	D14/138 G
D652,418	S	*	1/2012	Rashid et al.	D14/341
D654,074	S	*	2/2012	Wood et al.	D14/341
2011/0053650	A1	*	3/2011	Chung et al.	455/566
2011/0117977	A1	*	5/2011	Yamashita et al.	455/575.4

OTHER PUBLICATIONS

Motorola XOOM MZ600, announced Feb. 2011, [online], [retrieved on Mar. 14, 2011]. Retrieved from Internet ,<URL: <http://www.gsmarena.com>>.*

BlackBerry PlayBook, announced Sep. 2010, [online], [retrieved on Mar. 14, 2011]. Retrieved from Internet ,<URL: <http://www.gsmarena.com>>.*

* cited by examiner

Primary Examiner — Bridget L Eland

(74) *Attorney, Agent, or Firm* — Staas & Halsey LLP

(57) **CLAIM**

The ornamental design for a terminal for mobile communication, as shown and described.

DESCRIPTION

FIG. 1 is a front perspective view of a terminal for mobile communication;

FIG. 2 is a front view of the terminal for mobile communication of FIG. 1;

FIG. 3 is a rear view of the terminal for mobile communication of FIG. 1;

FIG. 4 is a left-side view of the terminal for mobile communication of FIG. 1;

FIG. 5 is a right-side view of the terminal for mobile communication of FIG. 1;

FIG. 6 is a top plan view of the terminal for mobile communication of FIG. 1;

FIG. 7 is a bottom plan view of the terminal for mobile communication of FIG. 1; and,

FIG. 8 is an open front perspective view of the terminal for mobile communication of FIG. 1.

1 Claim, 8 Drawing Sheets

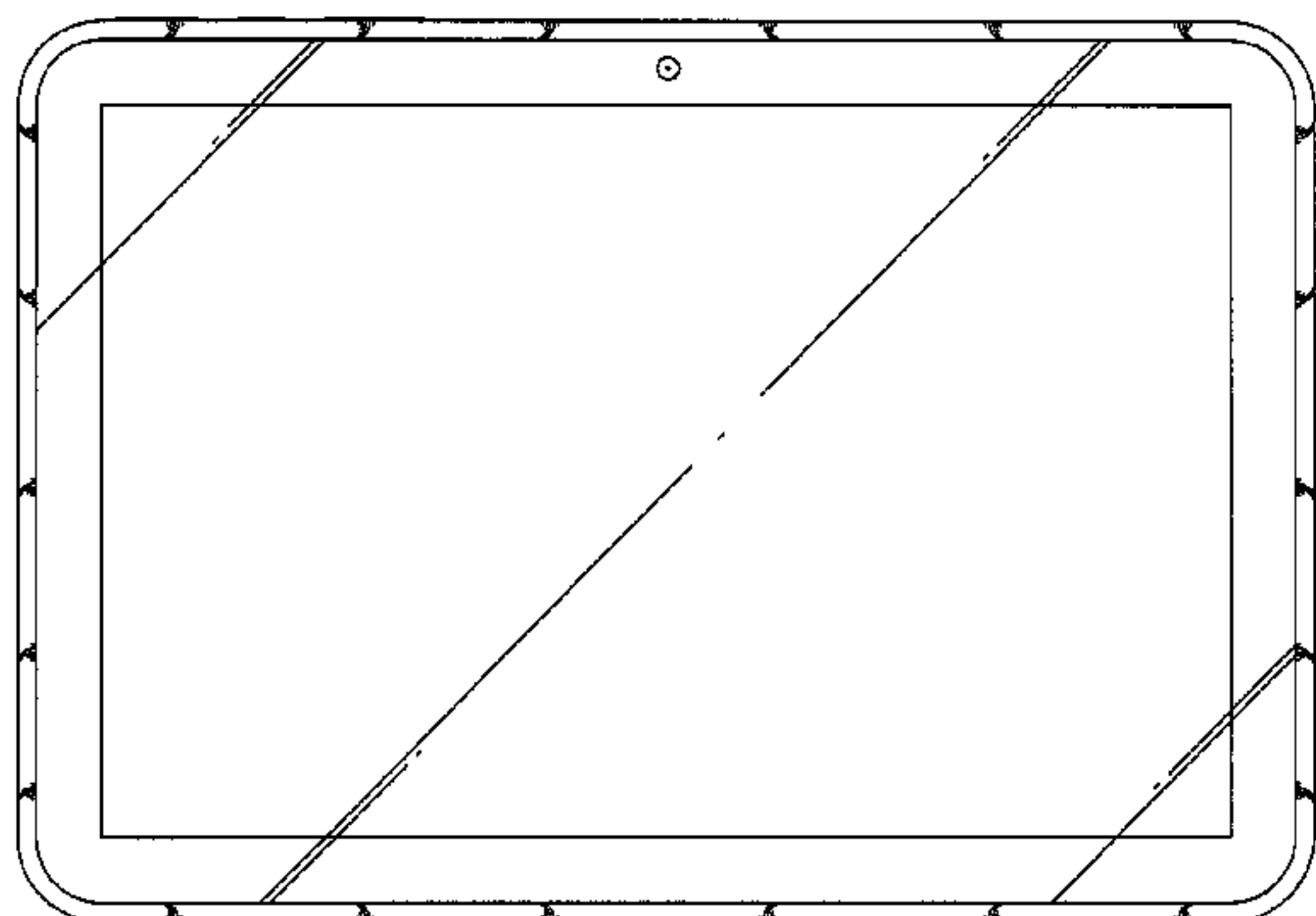


FIG. 1

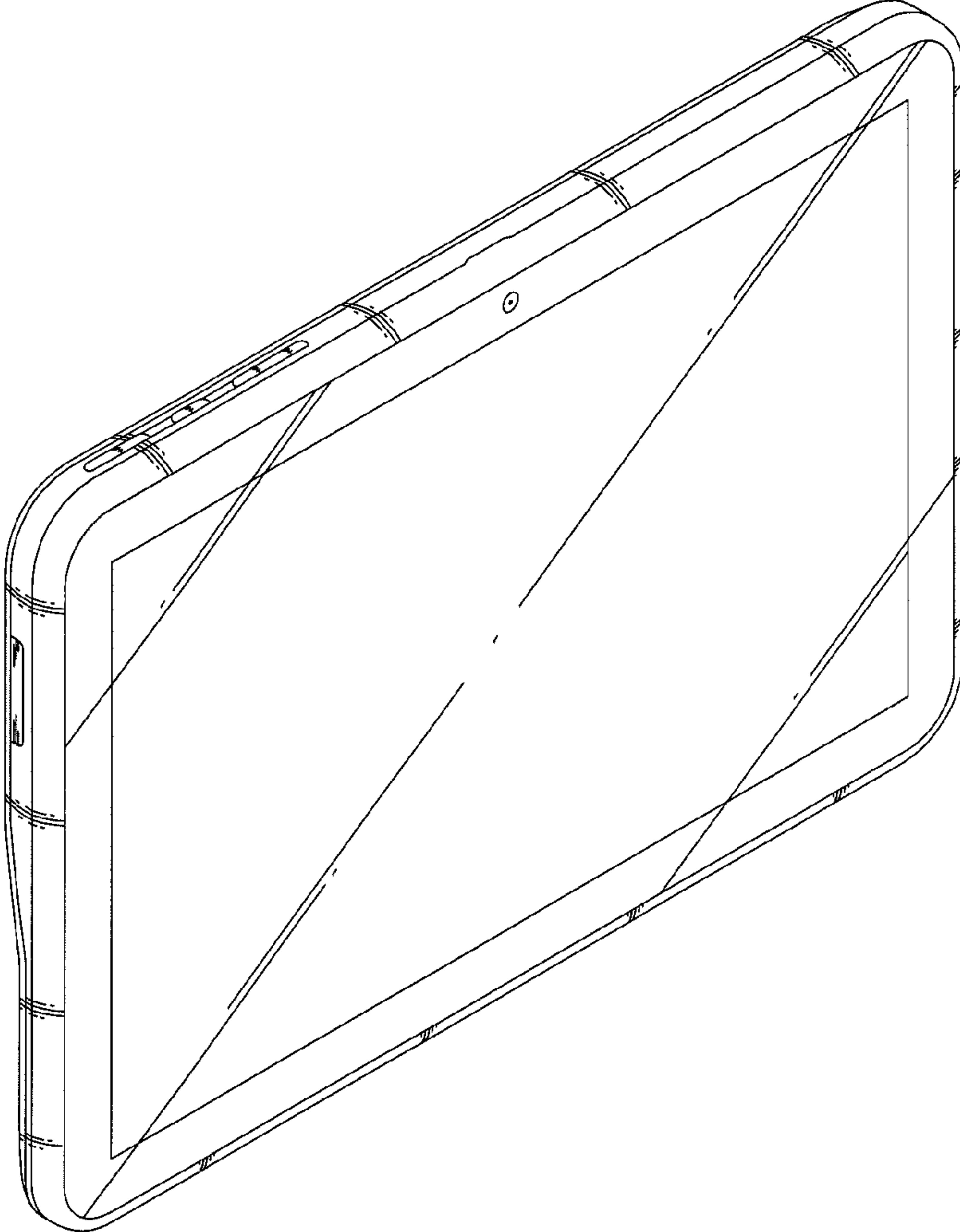


FIG. 2

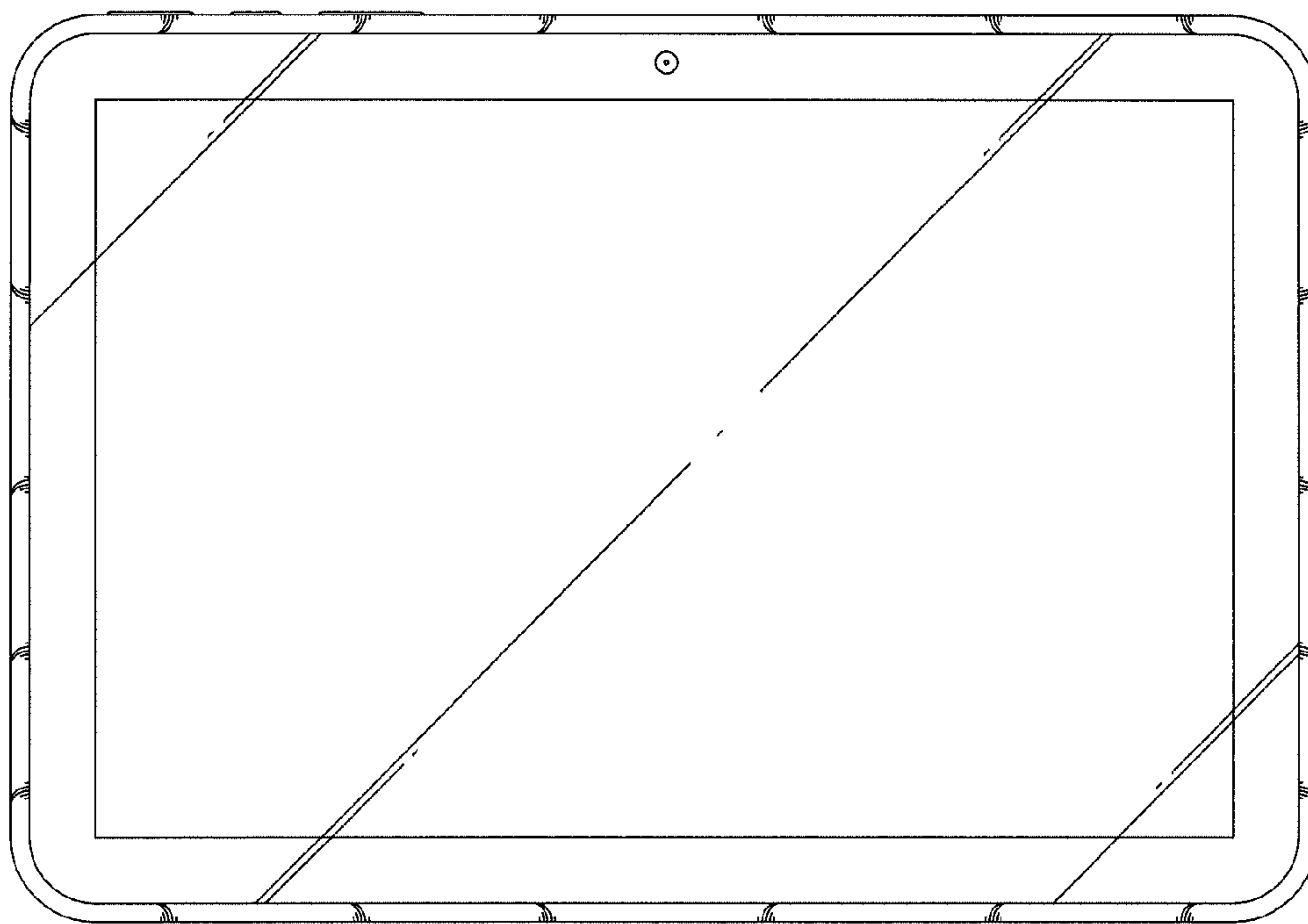


FIG. 3

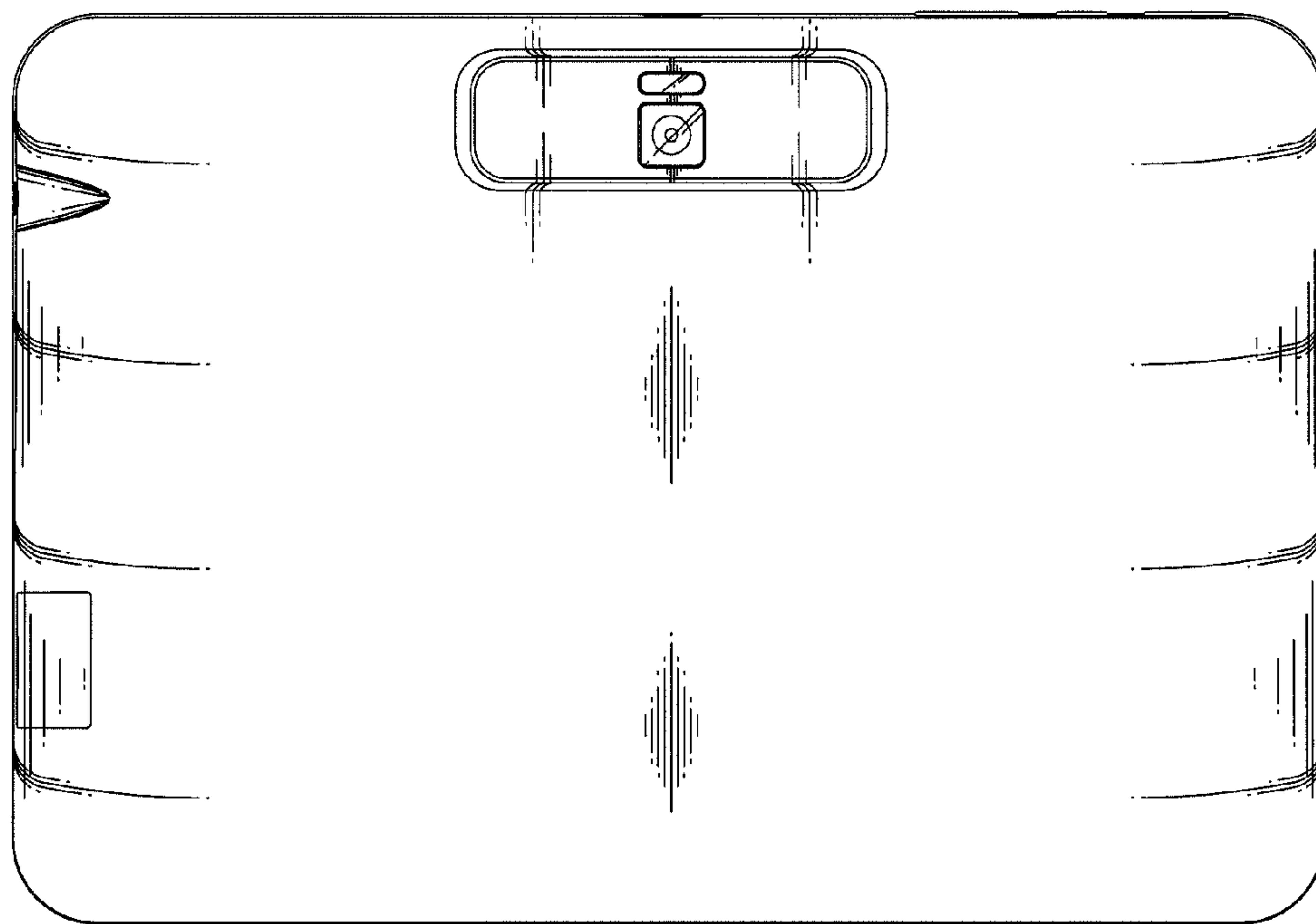


FIG. 4



FIG. 5

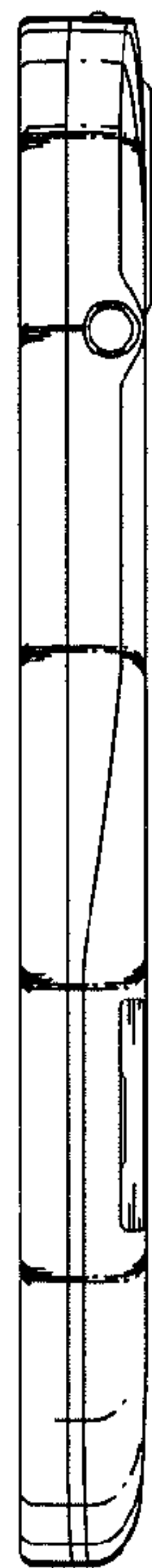


FIG. 6

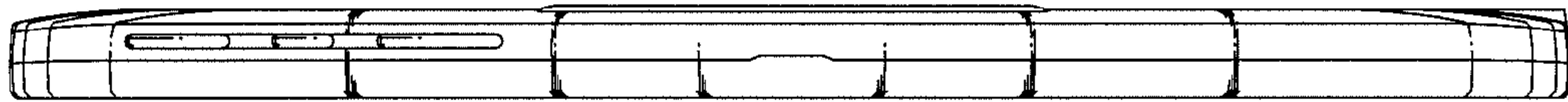


FIG. 7



FIG. 8

