

US00D665369S

(12) **United States Design Patent**
Kim et al.

(10) **Patent No.:** **US D665,369 S**

(45) **Date of Patent:** **** *Aug. 14, 2012**

(54) **TV RECEIVER**

(75) Inventors: **Kyoung-Hoon Kim**, Kyunggi-do (KR);
Ji-Gwang Kim, Seoul (KR)

(73) Assignee: **Samsung Electronics Co., Ltd.**, Suwon,
Kyunggi-do (KR)

(*) Notice: This patent is subject to a terminal dis-
claimer.

(**) Term: **14 Years**

(21) Appl. No.: **29/415,214**

(22) Filed: **Mar. 8, 2012**

(30) **Foreign Application Priority Data**

Sep. 29, 2011 (KR) 30-2011-0040433

(51) **LOC (9) Cl.** **14-03**

(52) **U.S. Cl.** **D14/126**

(58) **Field of Classification Search** D14/125-134,
D14/239, 371, 136, 374-377, 440, 450, 448,
D14/336, 342; 312/7.2; 348/836, 838, 180,
348/184, 325, 739; 341/12; 248/917-924,
248/465; 345/104, 133, 156, 168, 87, 173;
720/605, 669, 600, 655; 369/99, 197; D21/329,
D21/515, 577, 622, 333, 433, 448, 452, 450,
D21/331; D6/477, 479, 300; 273/148 B;
446/484, 175, 356; D10/15, 26

See application file for complete search history.

(56) **References Cited**

U.S. PATENT DOCUMENTS

D549,674 S * 8/2007 Lee et al. D14/126
D556,160 S 11/2007 Lee et al.
D556,709 S 12/2007 Kim et al.
D556,755 S 12/2007 Lee et al.
D556,757 S 12/2007 Kim et al.

D565,521 S 4/2008 Yang et al.
D567,198 S 4/2008 Yang et al.
D572,680 S 7/2008 Lee et al.
D584,729 S 1/2009 Kim et al.
D592,163 S * 5/2009 Lee et al. D14/126
D593,974 S 6/2009 Yang et al.
D605,614 S * 12/2009 Lee et al. D14/126
D608,311 S 1/2010 Lee et al.
D620,901 S * 8/2010 Won et al. D14/126
D622,235 S * 8/2010 Lee et al. D14/126
D623,618 S * 9/2010 Yoshida D14/126
D624,035 S * 9/2010 Lee et al. D14/126
D643,003 S * 8/2011 Ryu et al. D14/126
D645,431 S 9/2011 Boo et al.
D656,471 S * 3/2012 Han et al. D14/126
D656,913 S * 4/2012 Ann et al. D14/126

OTHER PUBLICATIONS

U.S. Appl. No. 29/415,213, Applicant: Kyoung-Hoon Kim, et al.,
filed Mar. 8, 2012 entitled TV Receiver.

* cited by examiner

Primary Examiner — Raphael Barkai

(74) *Attorney, Agent, or Firm* — Flynn, Thiel, Boutell &
Tanis, P.C.

(57)

CLAIM

The ornamental design for a TV receiver, as shown and
described.

DESCRIPTION

FIG. 1 is a top front perspective view of a TV receiver show-
ing our new design;

FIG. 2 is a front elevational view thereof;

FIG. 3 is a rear elevational view thereof;

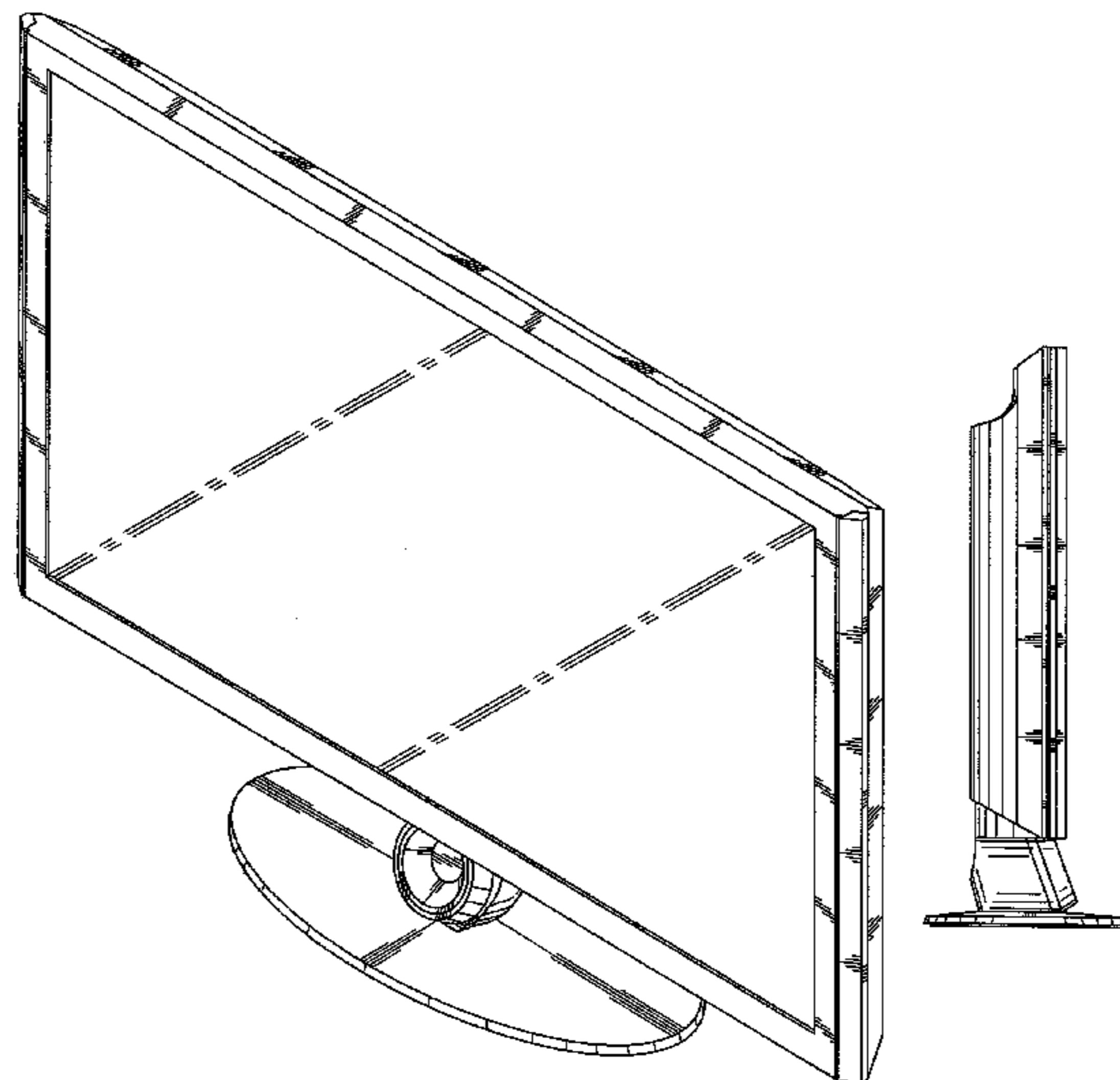
FIG. 4 is a left side elevational view thereof;

FIG. 5 is a right side elevational view thereof;

FIG. 6 is a top plan view thereof; and,

FIG. 7 is a bottom plan view thereof.

1 Claim, 4 Drawing Sheets



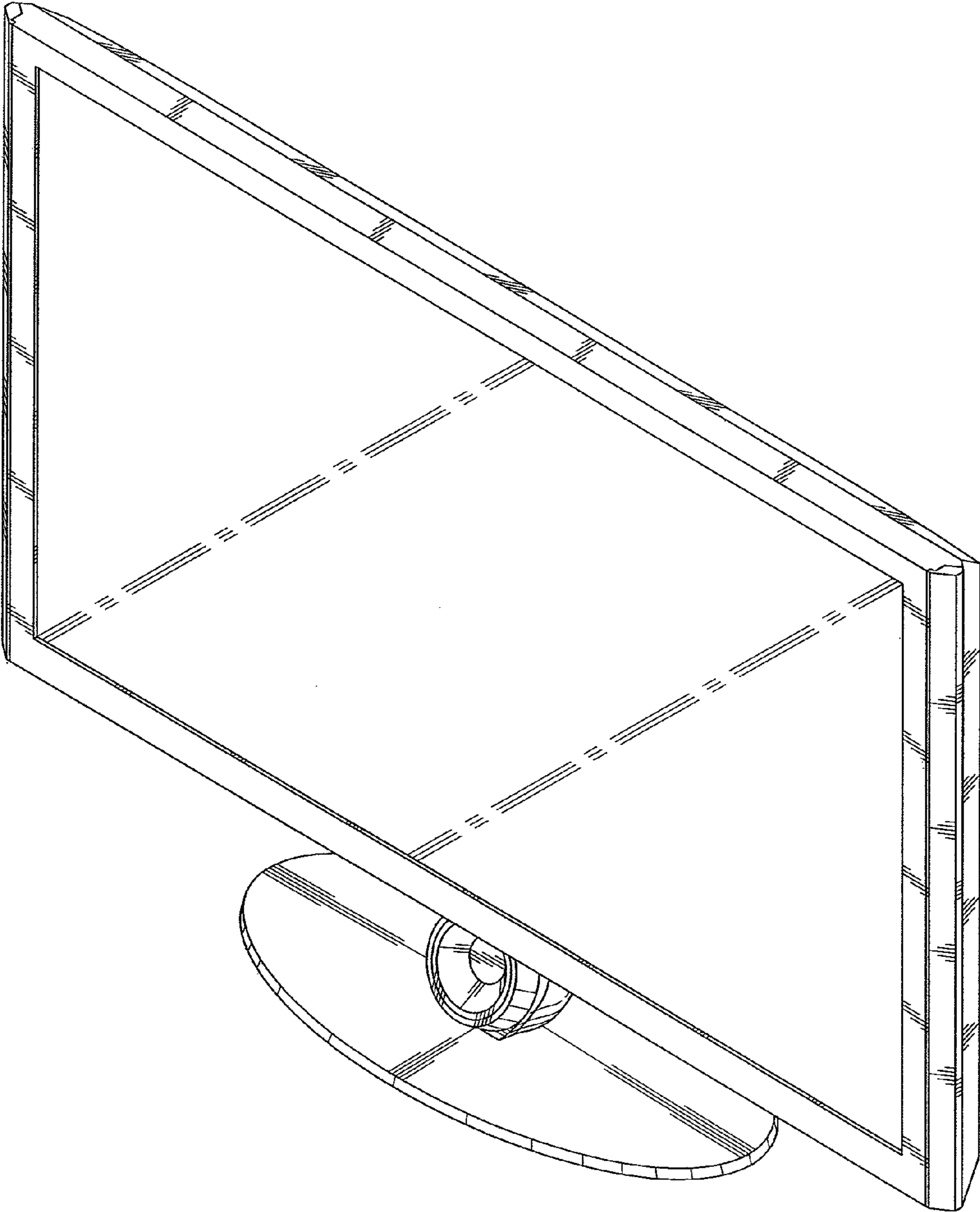


FIG.1

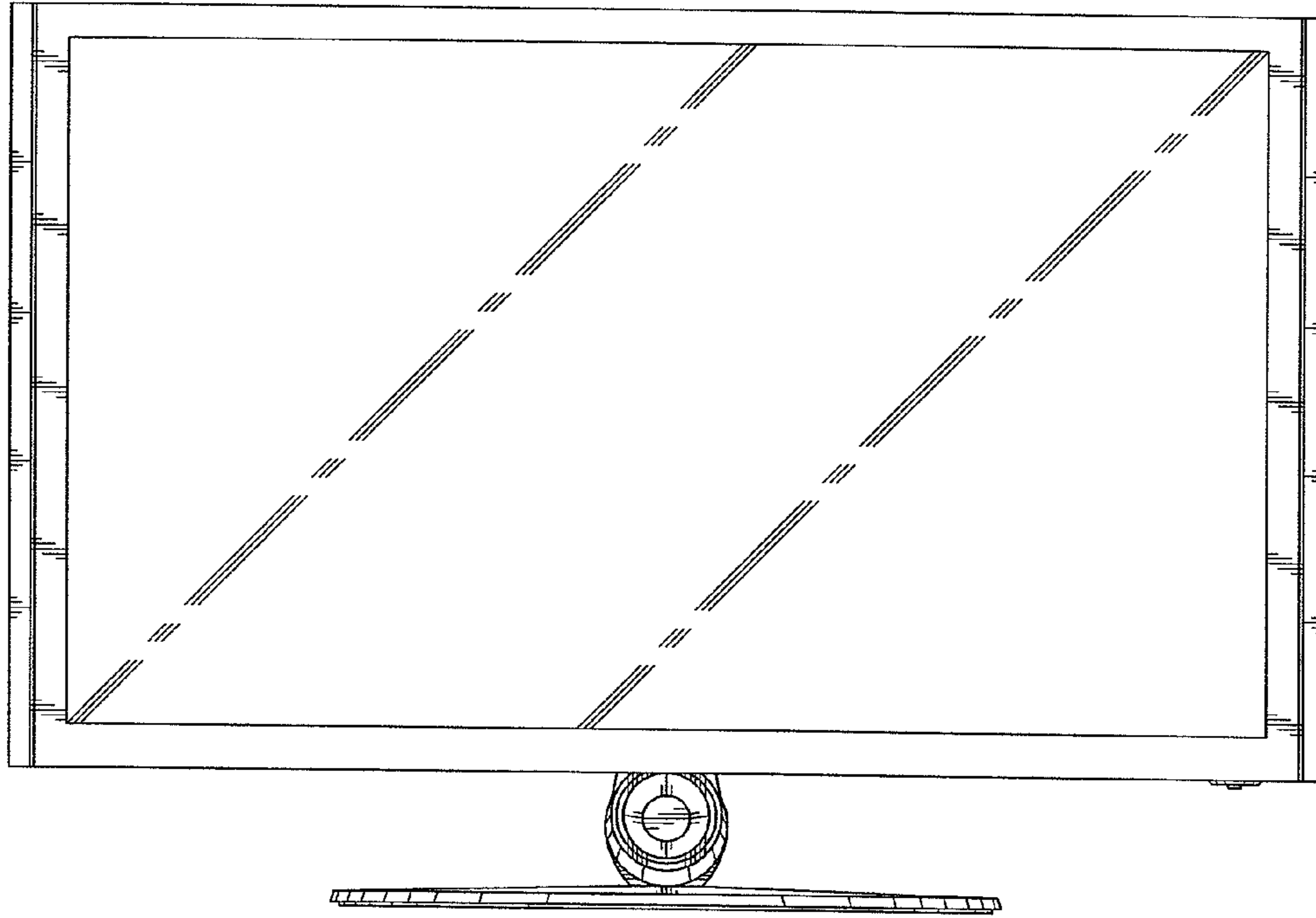


FIG.2

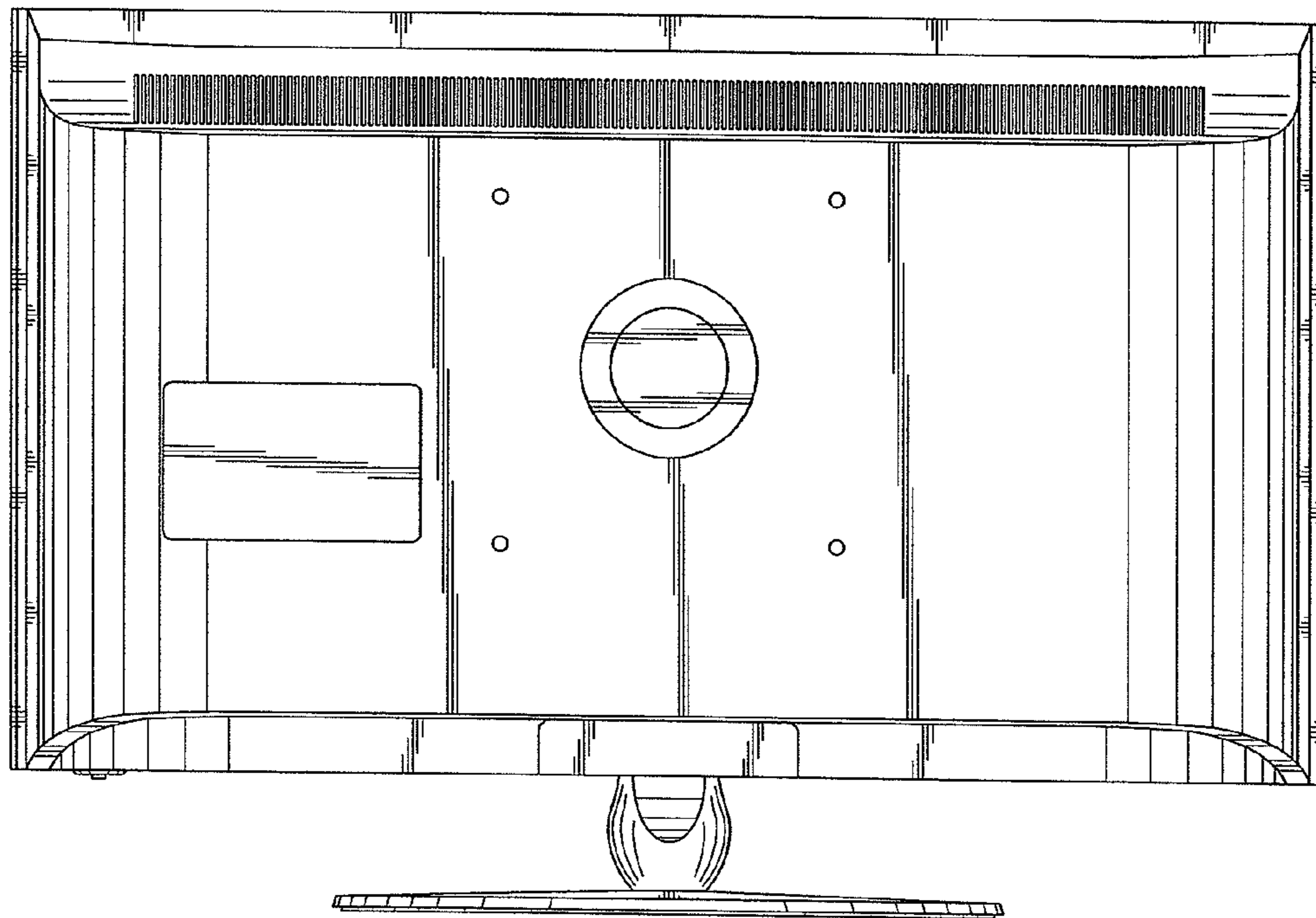


FIG.3

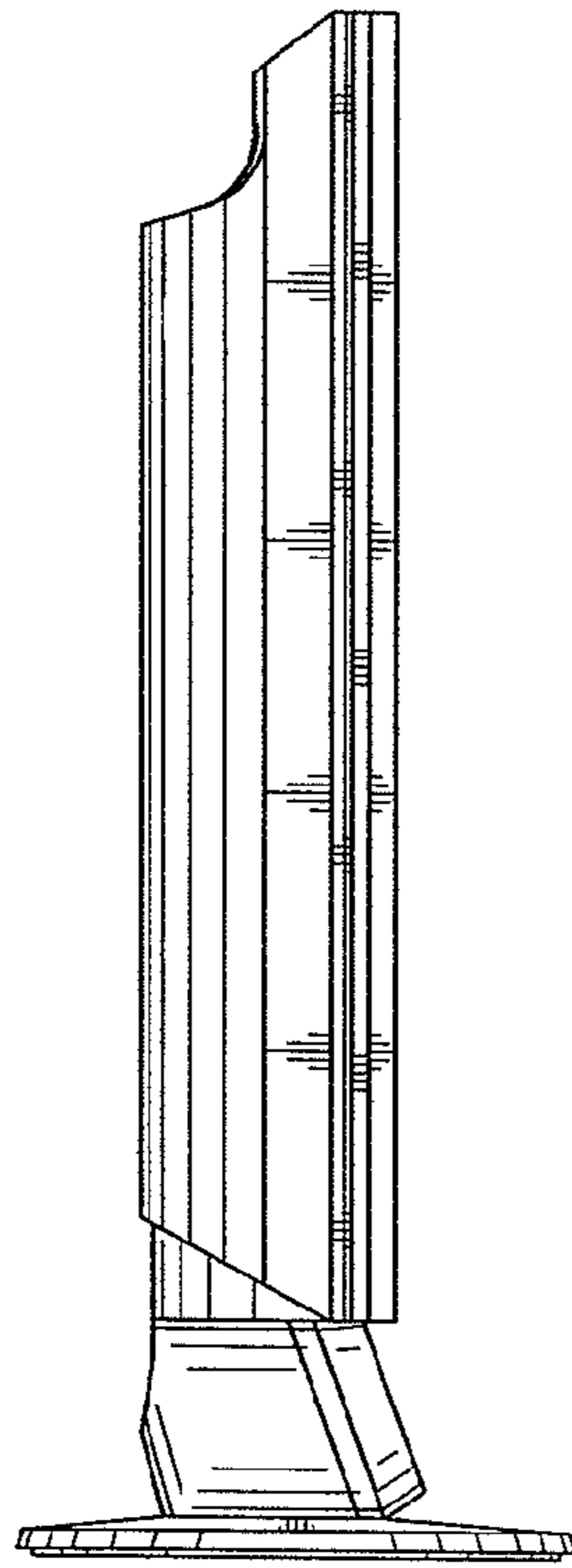


FIG.4

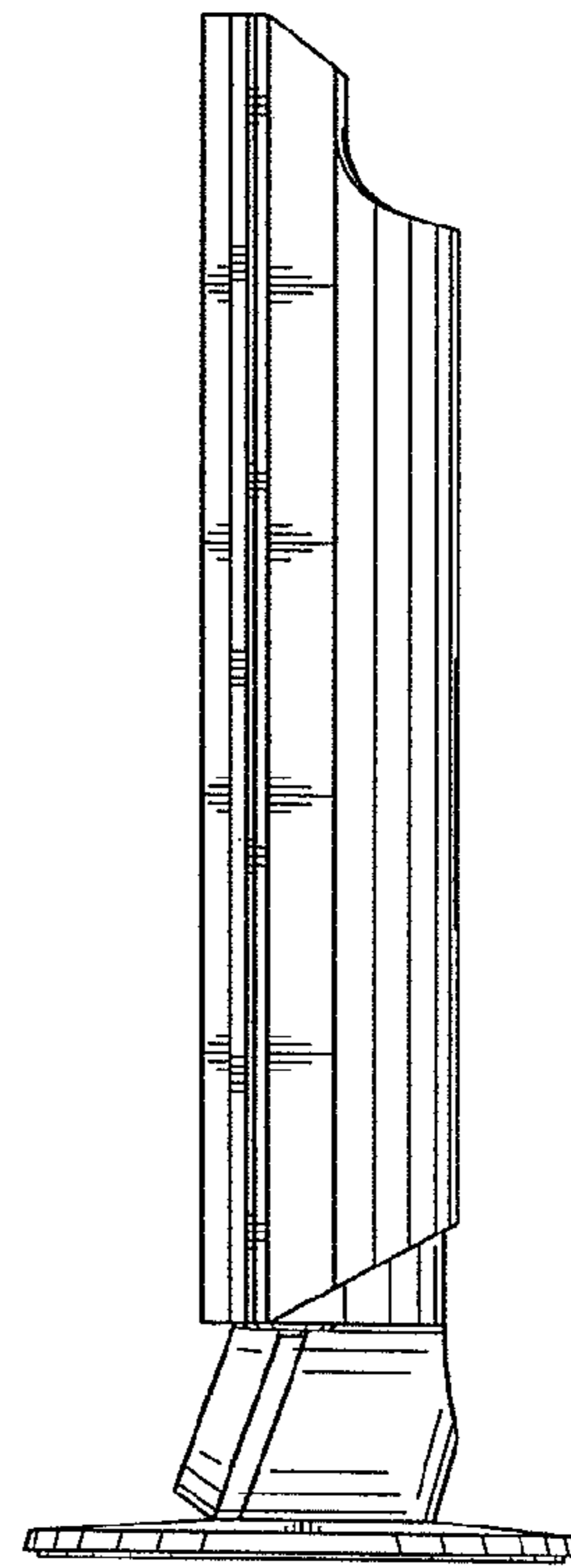


FIG.5

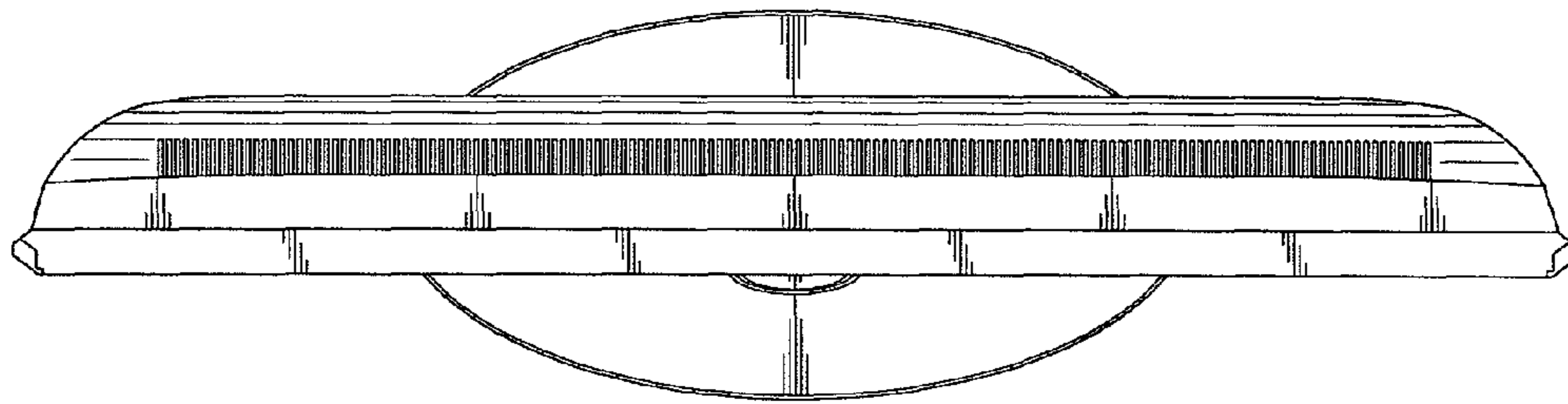


FIG. 6

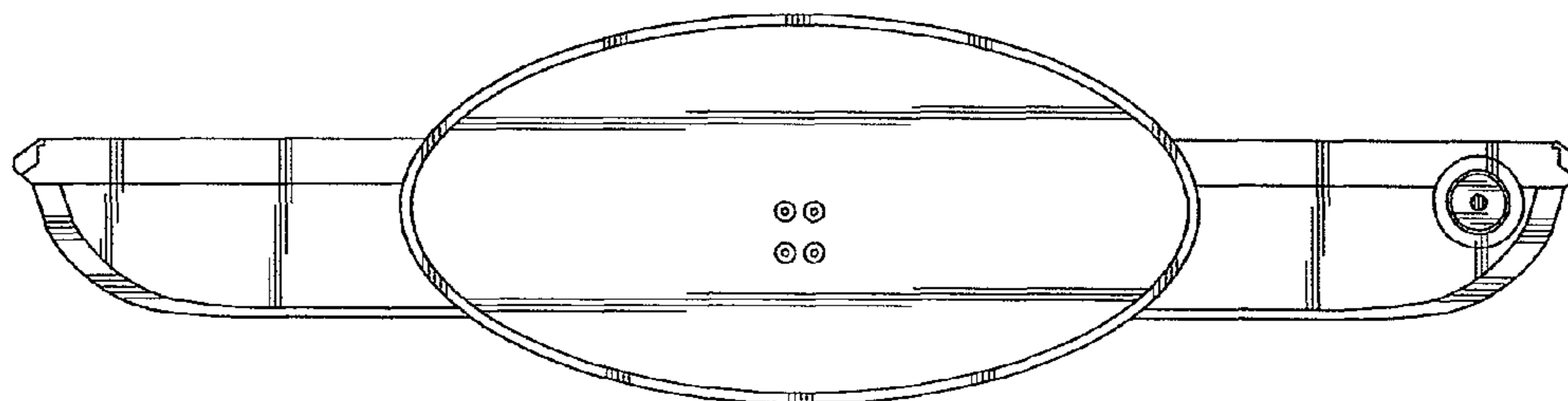


FIG. 7