



US00D665363S

(12) **United States Design Patent**
Lin et al.

(10) **Patent No.:** **US D665,363 S**

(45) **Date of Patent:** **** Aug. 14, 2012**

(54) **FAST TERMINAL BOX**

(75) Inventors: **Yueming Lin**, Ningbo (CN); **Lijun Duan**, Ningbo (CN); **Lizhi Chen**, Ningbo (CN)

(73) Assignee: **Renhe Photovoltaic Technology Co., Ltd.**, Ningbo, Zhejiang Province (CN)

(**) Term: **14 Years**

(21) Appl. No.: **29/387,802**

(22) Filed: **Mar. 18, 2011**

(51) **LOC (9) Cl.** **13-03**

(52) **U.S. Cl.** **D13/156; D13/102**

(58) **Field of Classification Search** D13/156,
D13/102, 118, 133, 152, 155, 184, 199; 174/53,
174/54, 55, 58, 60, 66, 67; 361/641, 649,
361/679.01; 439/76.2, 207, 208, 374, 378,
439/380, 485, 486, 487

See application file for complete search history.

(56) **References Cited**

U.S. PATENT DOCUMENTS

D264,460 S * 5/1982 Moller D13/184
D301,030 S * 5/1989 Frassati et al. D13/152

D342,719 S * 12/1993 Harden D13/156
D410,435 S * 6/1999 Hambleton D13/156
6,655,987 B2 * 12/2003 Higashikozono et al. 439/535
D529,447 S * 10/2006 Greenfield D13/156
D573,534 S * 7/2008 Andersson et al. D13/122
8,097,818 B2 * 1/2012 Gerull et al. 174/564

* cited by examiner

Primary Examiner — Derrick Holland

(74) *Attorney, Agent, or Firm* — Jacobson Holman PLLC

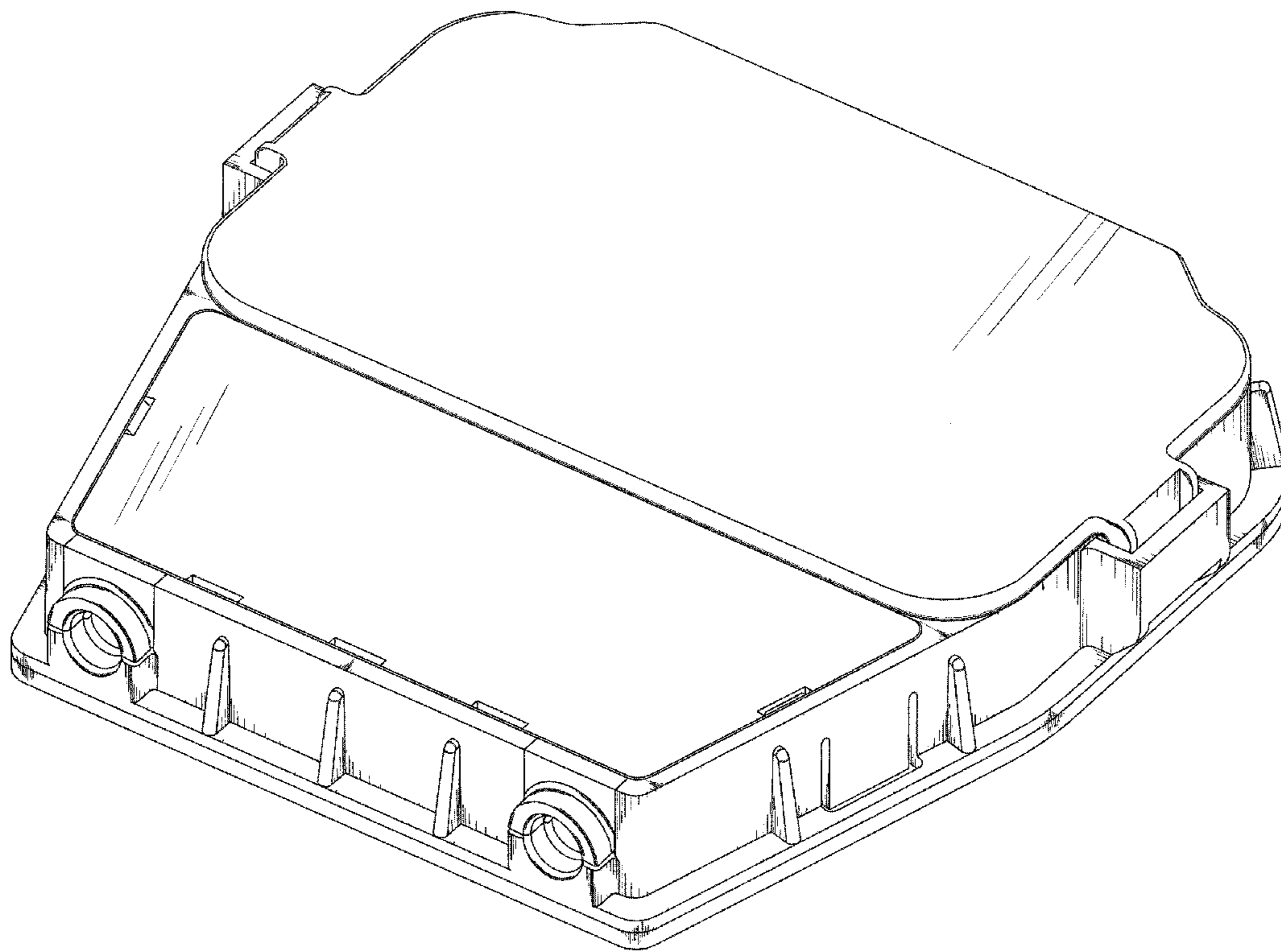
(57) **CLAIM**

We claim the ornamental design for the fast terminal box, as shown and described.

DESCRIPTION

FIG. 1 is a front perspective view of the fast terminal box showing the design;
FIG. 2 is a rear perspective view thereof;
FIG. 3 is a front elevational view thereof;
FIG. 4 is a rear elevational view thereof;
FIG. 5 is a left side elevational view thereof;
FIG. 6 is a right side elevational view thereof;
FIG. 7 is a top plan view thereof; and,
FIG. 8 is a bottom plan view thereof.

1 Claim, 8 Drawing Sheets



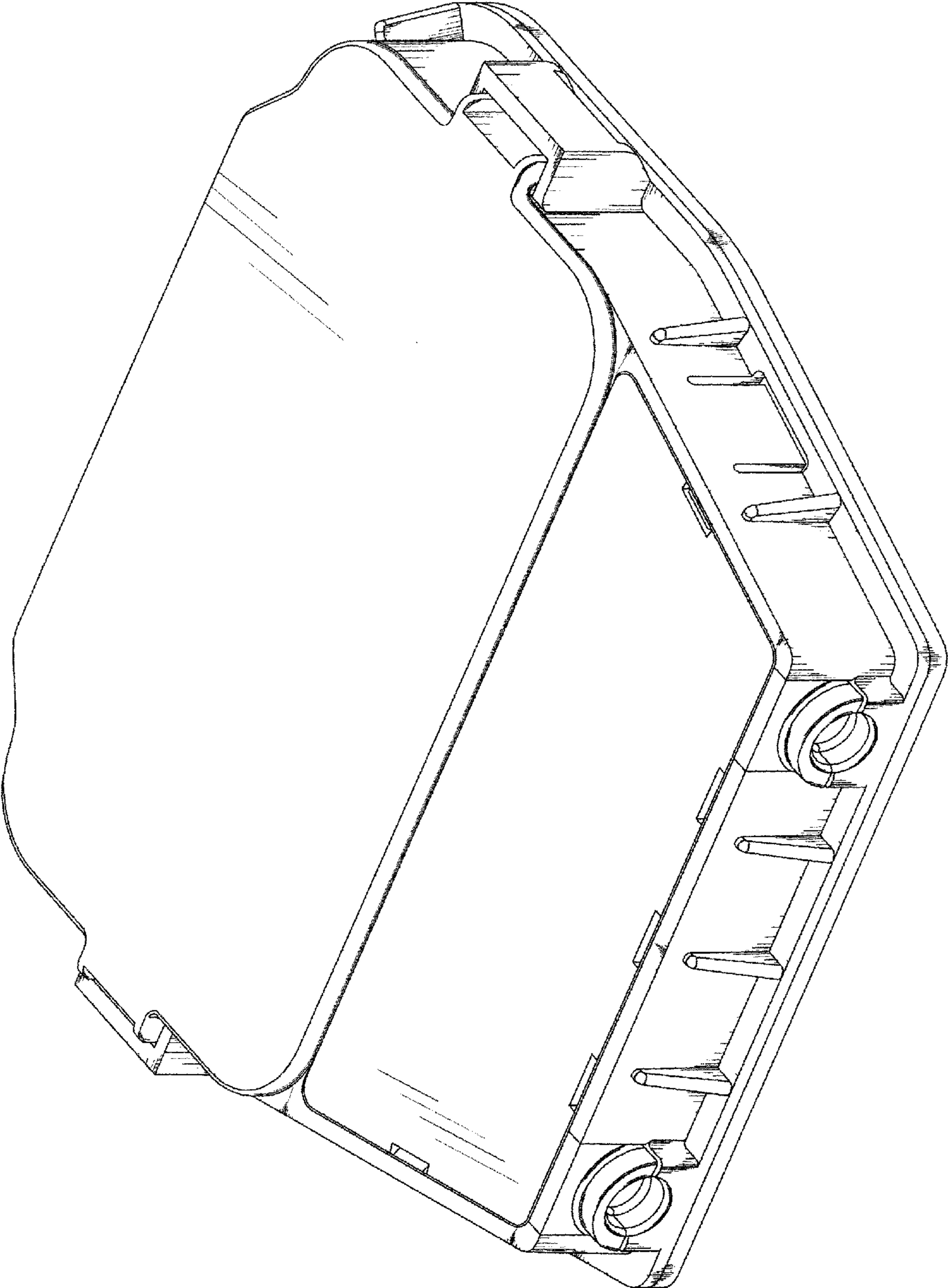


FIG. 1

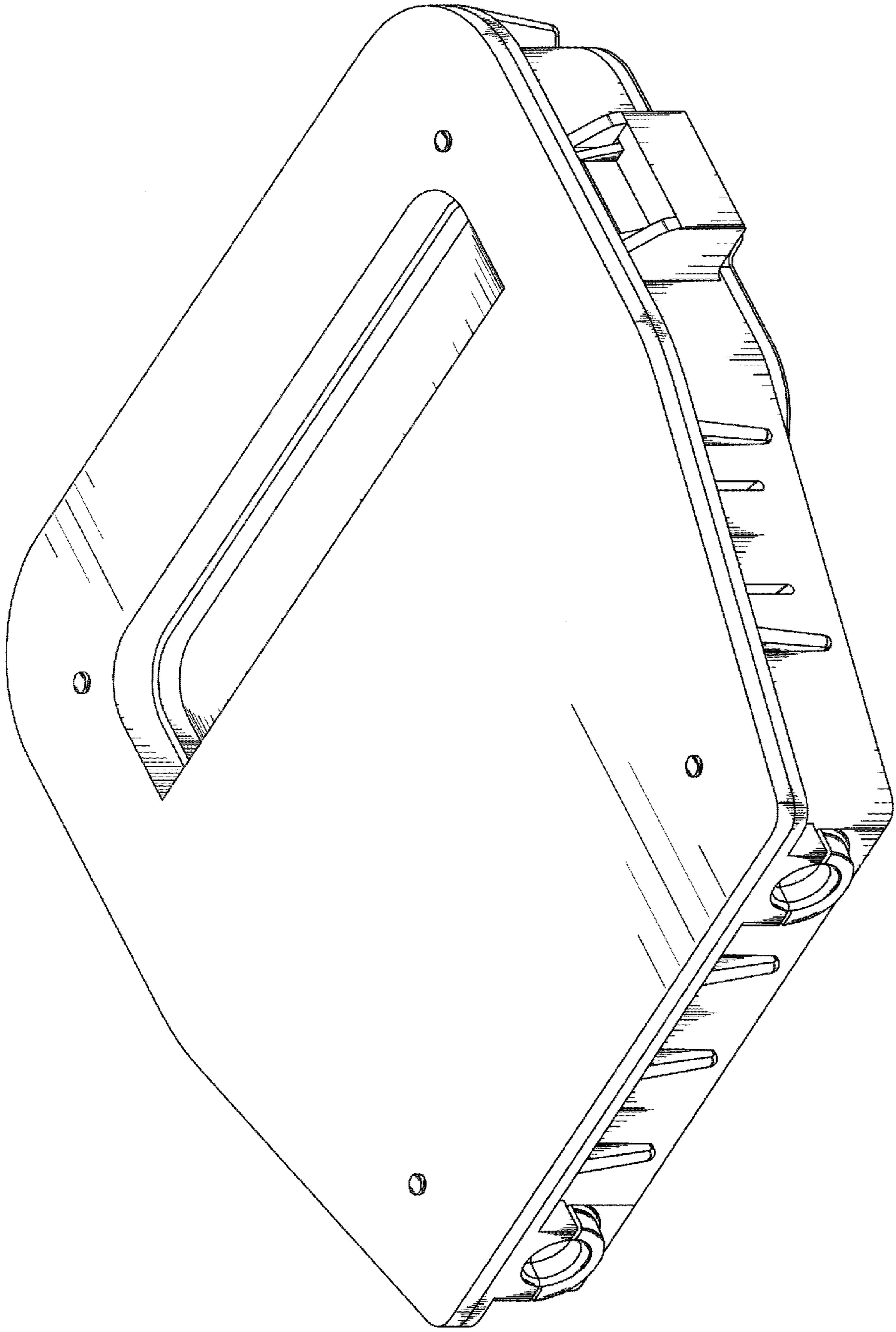


FIG. 2

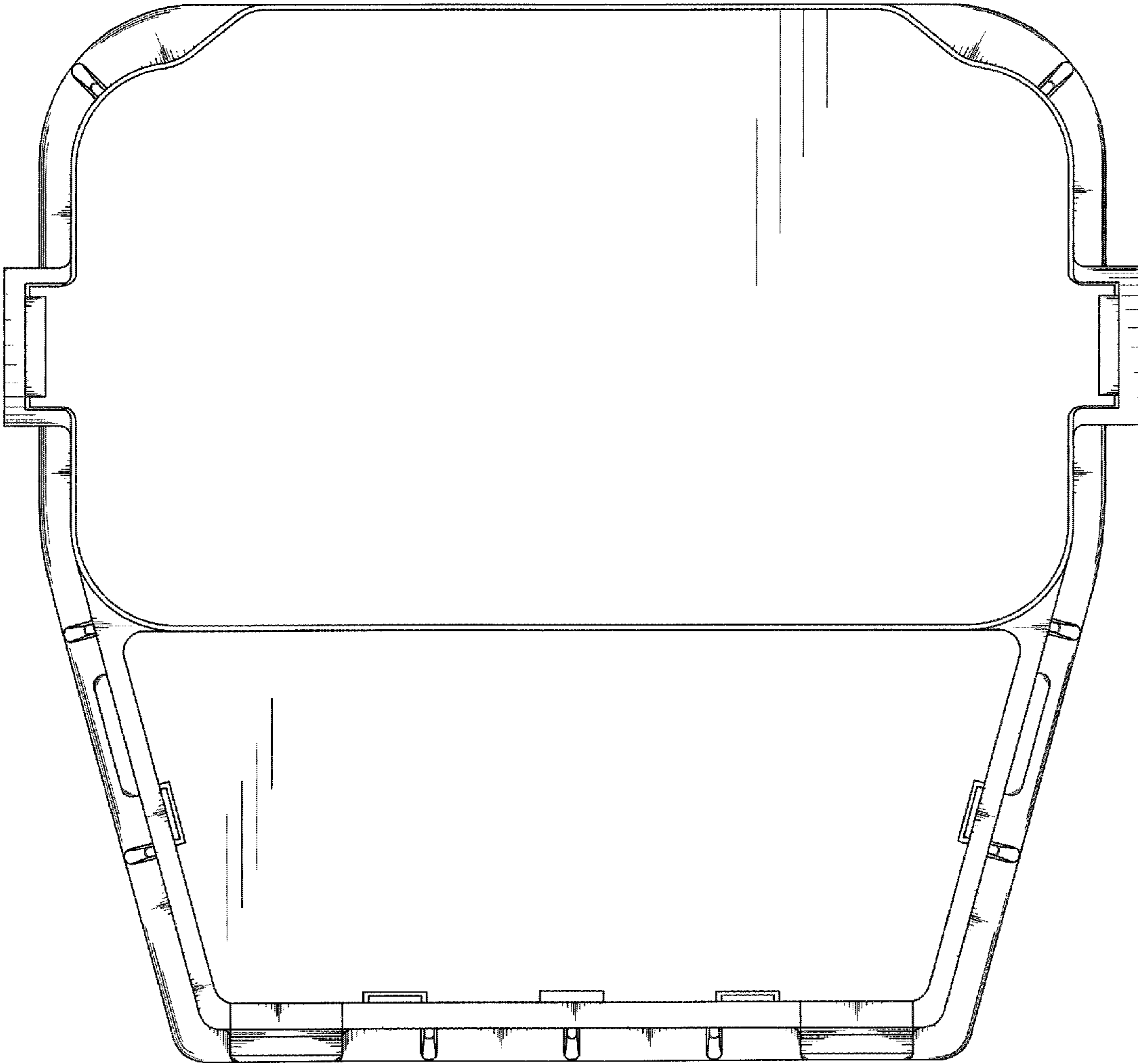


FIG. 3

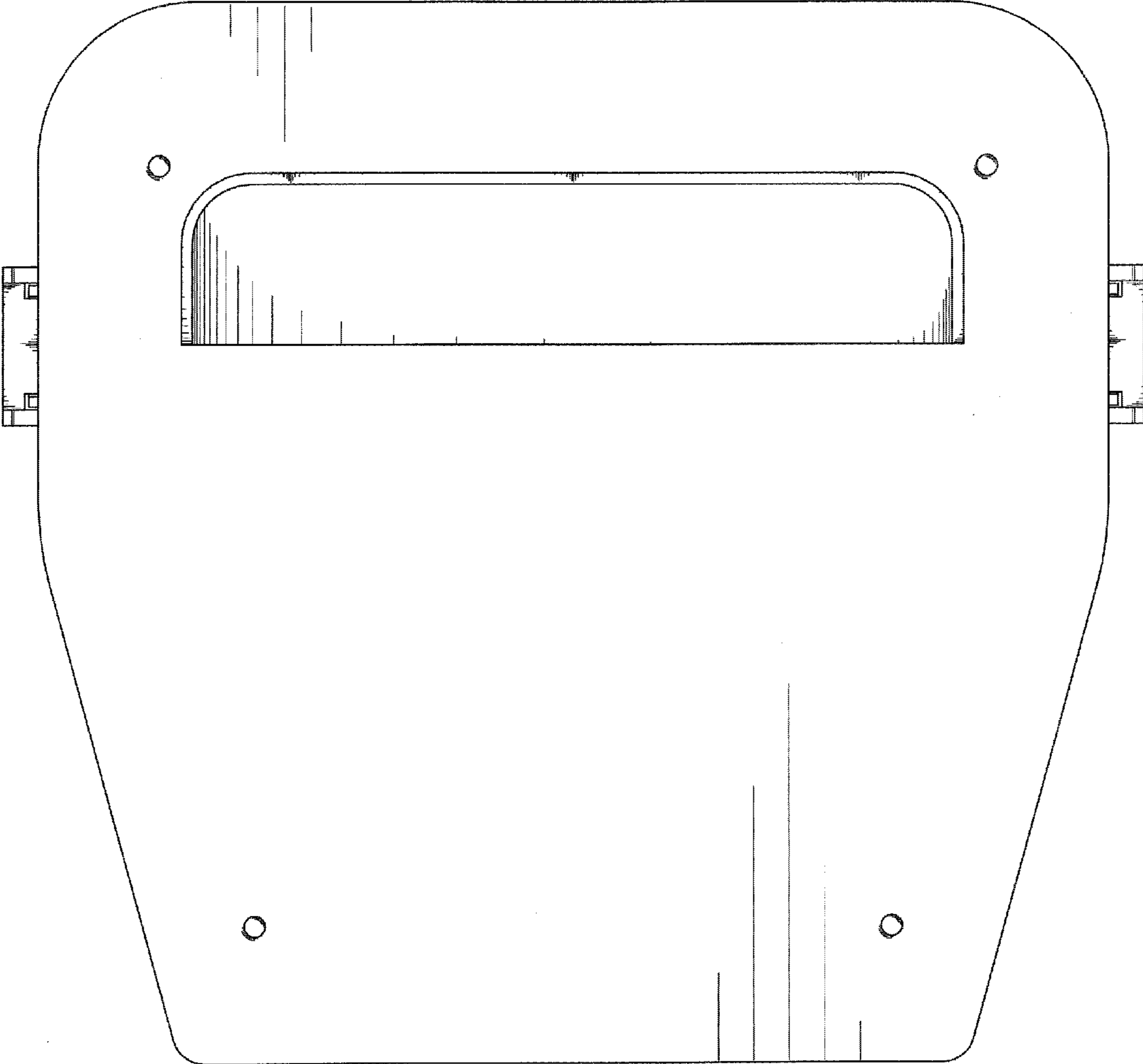


FIG. 4

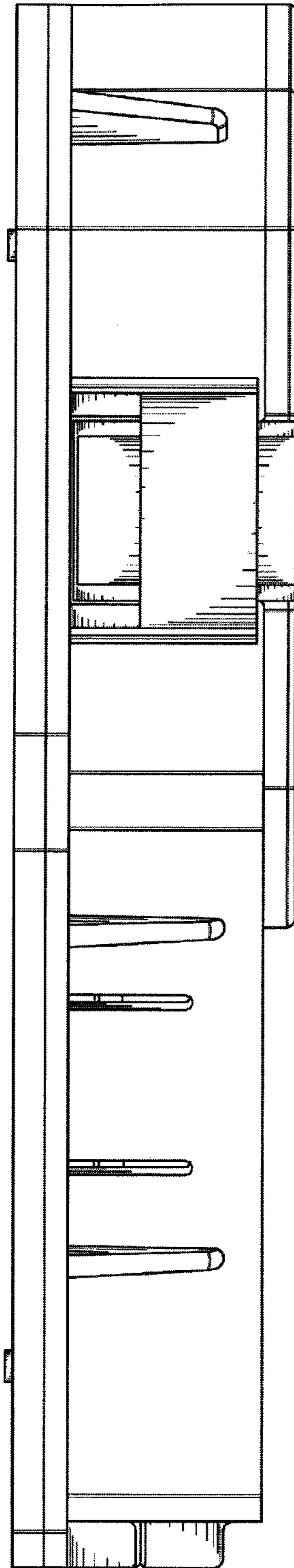


FIG. 5

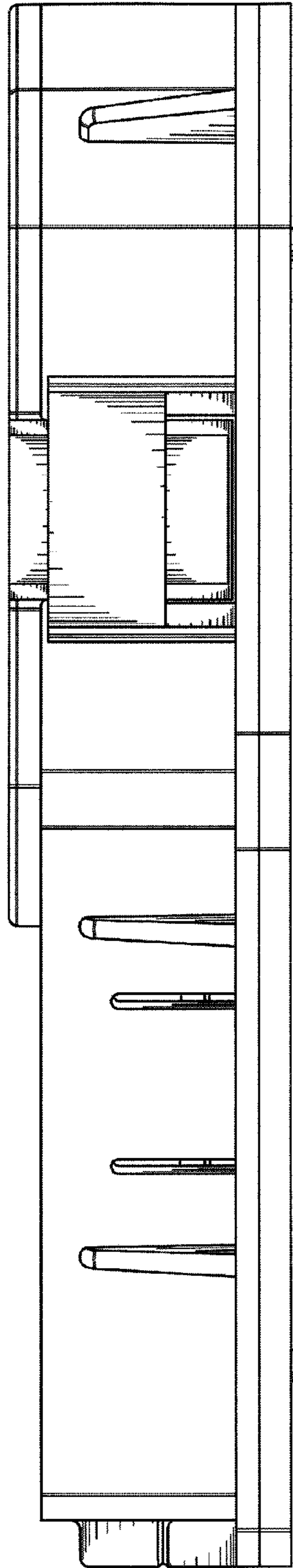


FIG. 6

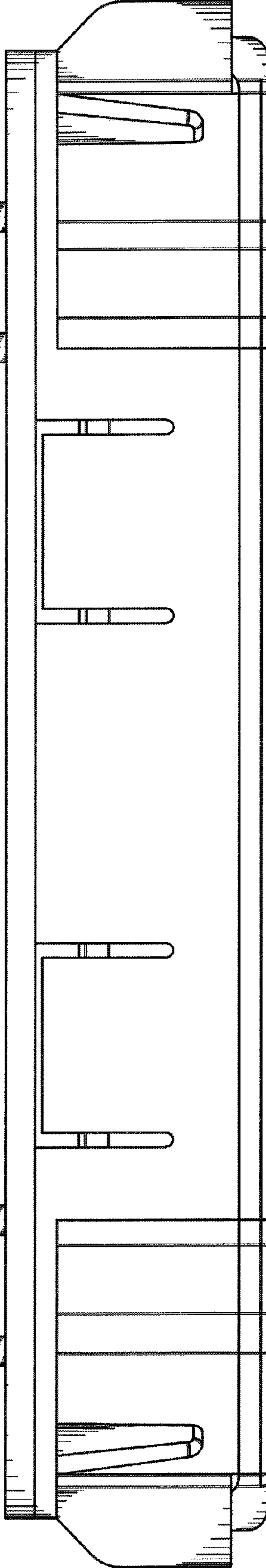


FIG. 7

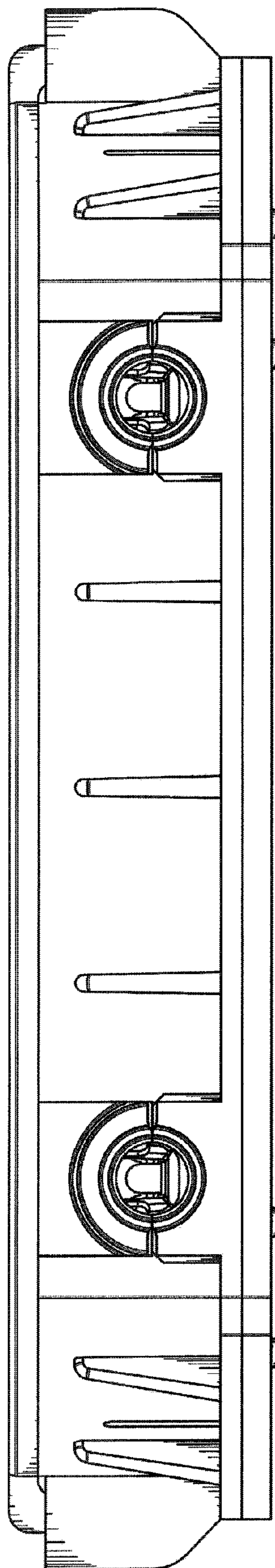


FIG. 8