



US00D665362S

(12) **United States Design Patent**
Browder

(10) **Patent No.:** **US D665,362 S**

(45) **Date of Patent:** **** Aug. 14, 2012**

(54) **CONNECTOR**

(75) Inventor: **John Browder**, Argyle, TX (US)

(73) Assignee: **International Development LLC**,
Roanoke, TX (US)

(**) Term: **14 Years**

(21) Appl. No.: **29/411,932**

(22) Filed: **Jan. 27, 2012**

(51) **LOC (9) Cl.** **13-03**

(52) **U.S. Cl.** **D13/155**

(58) **Field of Classification Search** D13/155,
D13/133, 139.3, 139.4, 152, 154, 156, 158,
D13/162, 173, 184, 199; 174/50, 53, 54,
174/55, 60, 66, 67, 480, 482, 486, 489, 490;
361/622, 624, 625, 629, 641; 439/131, 135,
439/136, 138, 142, 367, 373, 535, 536, 604,
439/606

See application file for complete search history.

(56) **References Cited**

U.S. PATENT DOCUMENTS

D252,682 S * 8/1979 Berglund et al. D13/133
5,084,596 A * 1/1992 Borsh et al. 174/53
D336,462 S * 6/1993 Maes D13/158
D339,794 S * 9/1993 Powell et al. D13/152
D354,736 S * 1/1995 Hallett et al. D13/156
D416,232 S * 11/1999 Einck D13/152

D519,085 S * 4/2006 Gull et al. D13/155
7,939,757 B1 * 5/2011 Baldwin 174/67
D646,639 S * 10/2011 Garza D13/155

* cited by examiner

Primary Examiner — Derrick Holland

(74) *Attorney, Agent, or Firm* — Brian Harris

(57) **CLAIM**

The ornamental design for a connector, as shown and described.

DESCRIPTION

FIG. 1 is a perspective view of a connector showing my new design;

FIG. 2 is a front view thereof;

FIG. 3 is a right side view thereof, the left side view being a mirror image thereof;

FIG. 4 is a back view thereof;

FIG. 5 is a top view thereof;

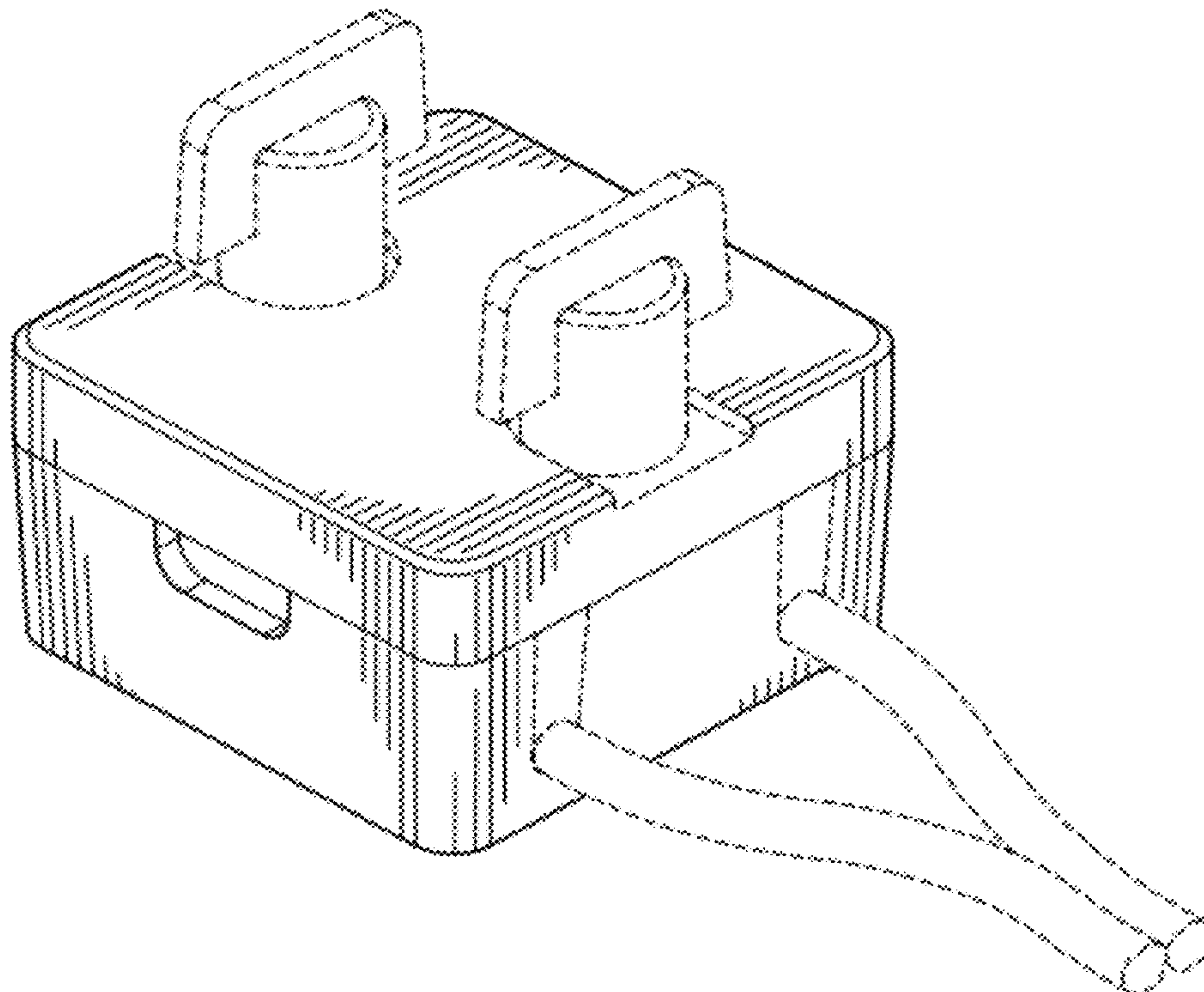
FIG. 6 is a bottom view thereof;

FIG. 7 is a top perspective exploded view thereof; and,

FIG. 8 is a bottom perspective exploded view thereof.

The broken lines shown represent unclaimed subject matter only and form no part of the claim. Where broken lines abut a claimed surface it is understood that those broken lines represent an unclaimed boundary between claimed and unclaimed surfaces. None of the broken lines form any part of the claimed design.

1 Claim, 4 Drawing Sheets



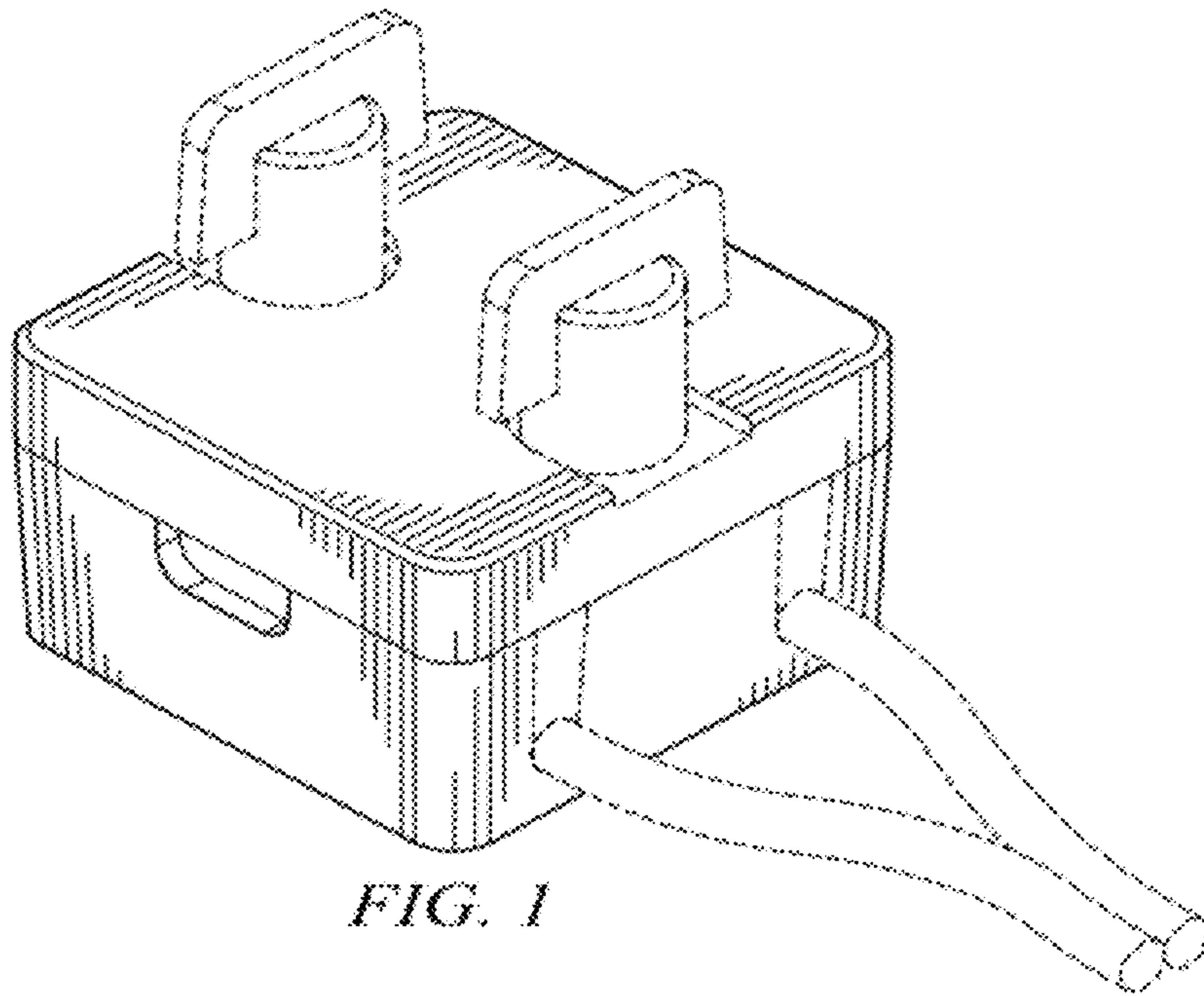


FIG. 1

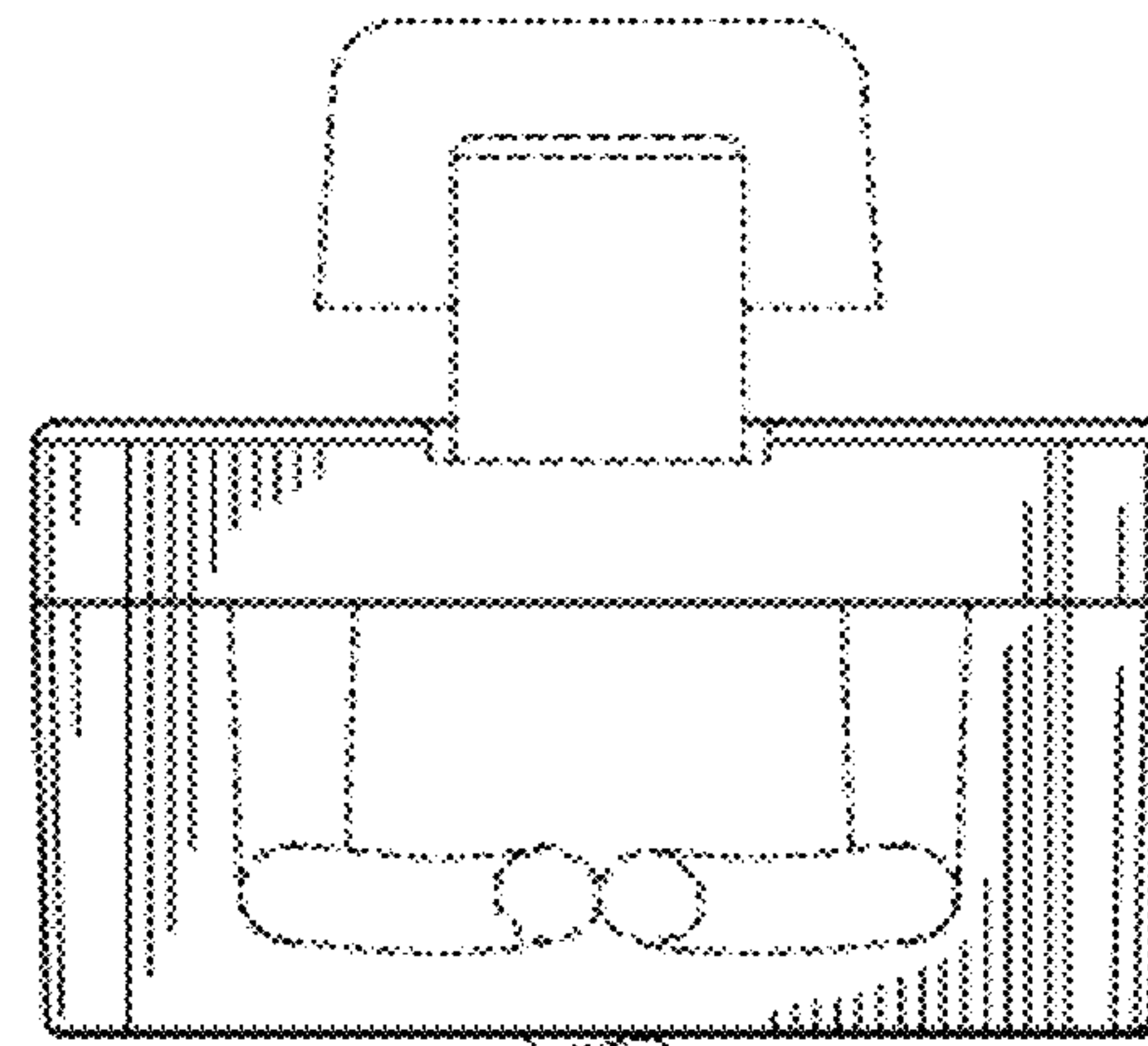


FIG. 2

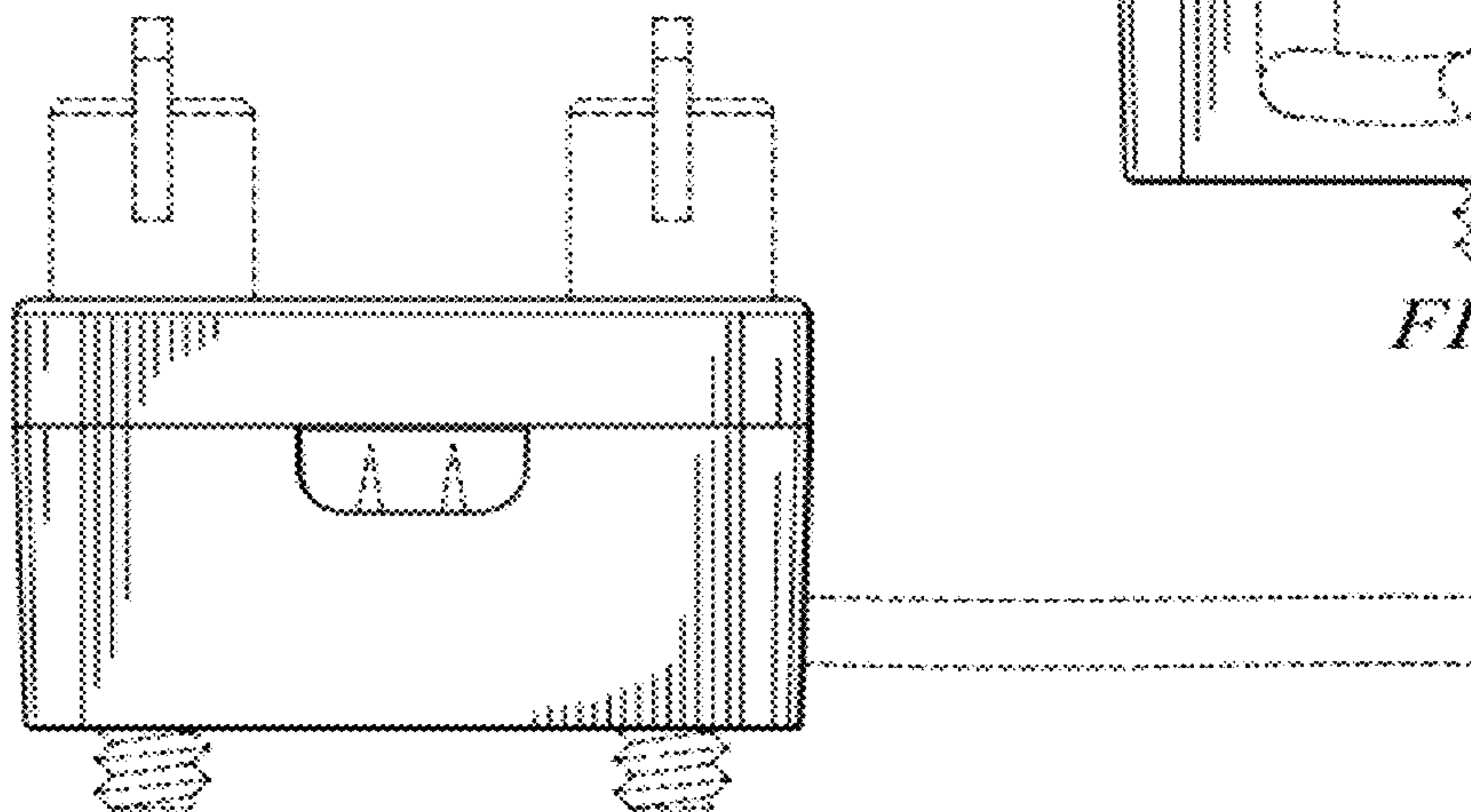


FIG. 3

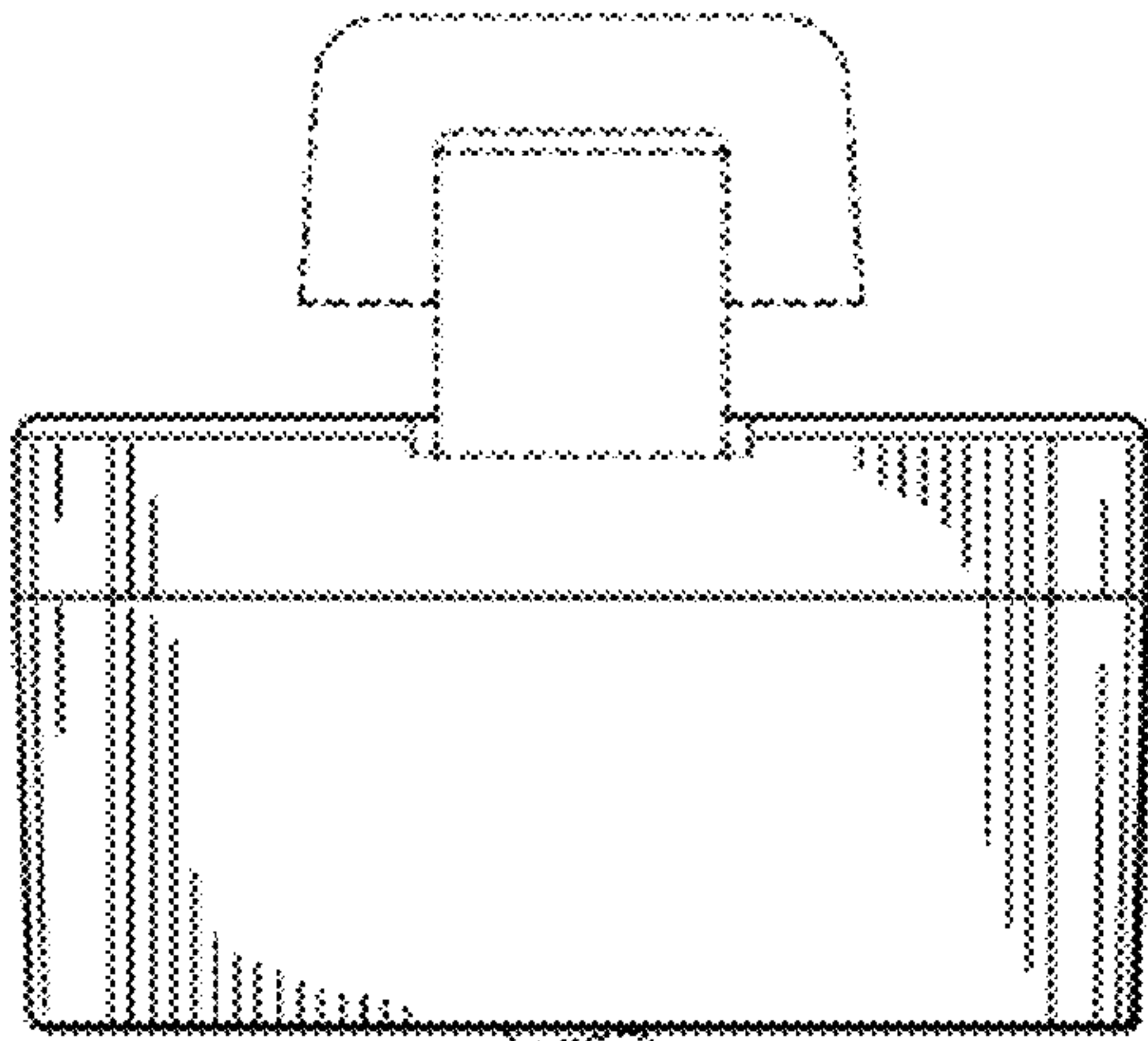


FIG. 4

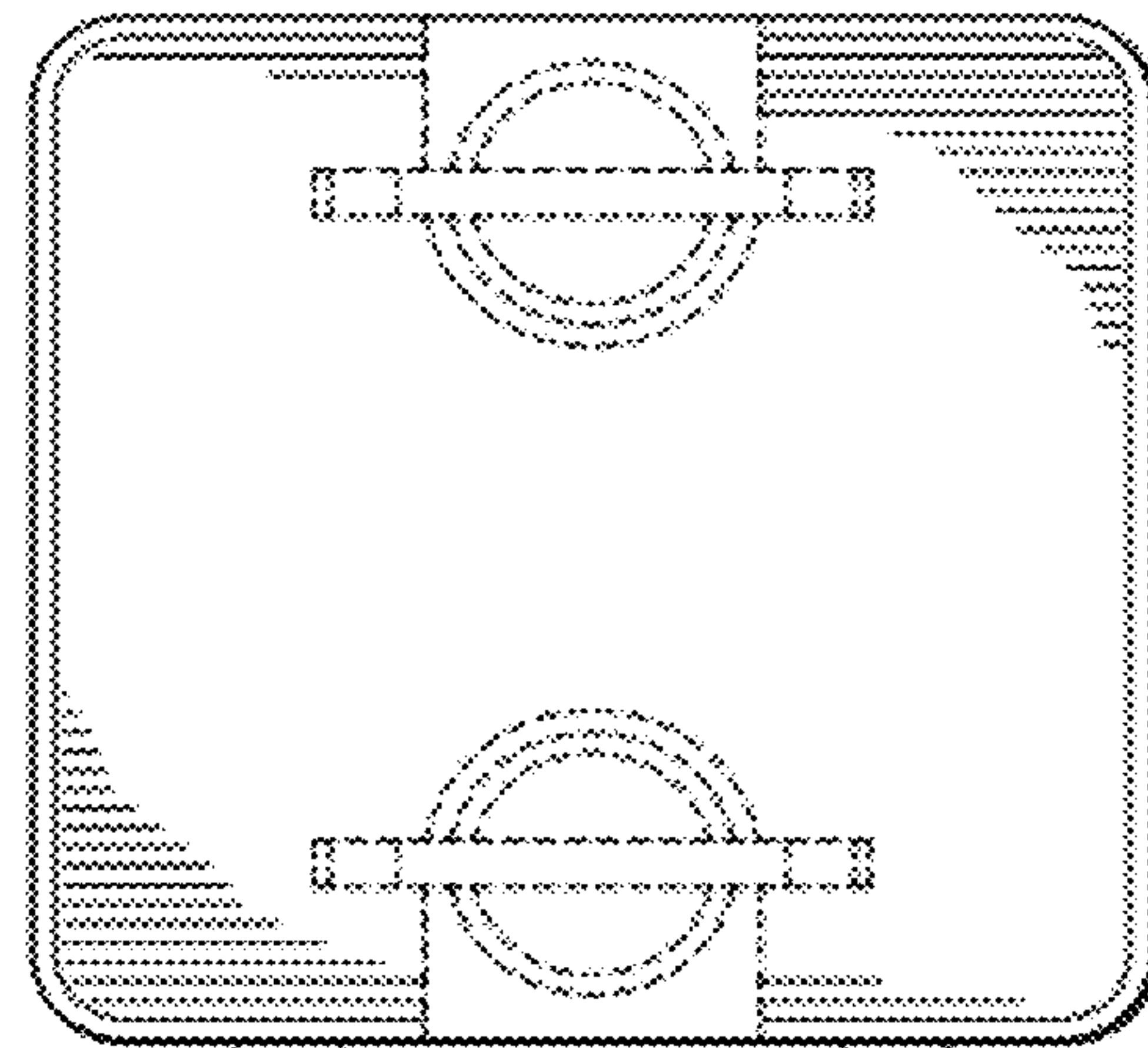


FIG. 5

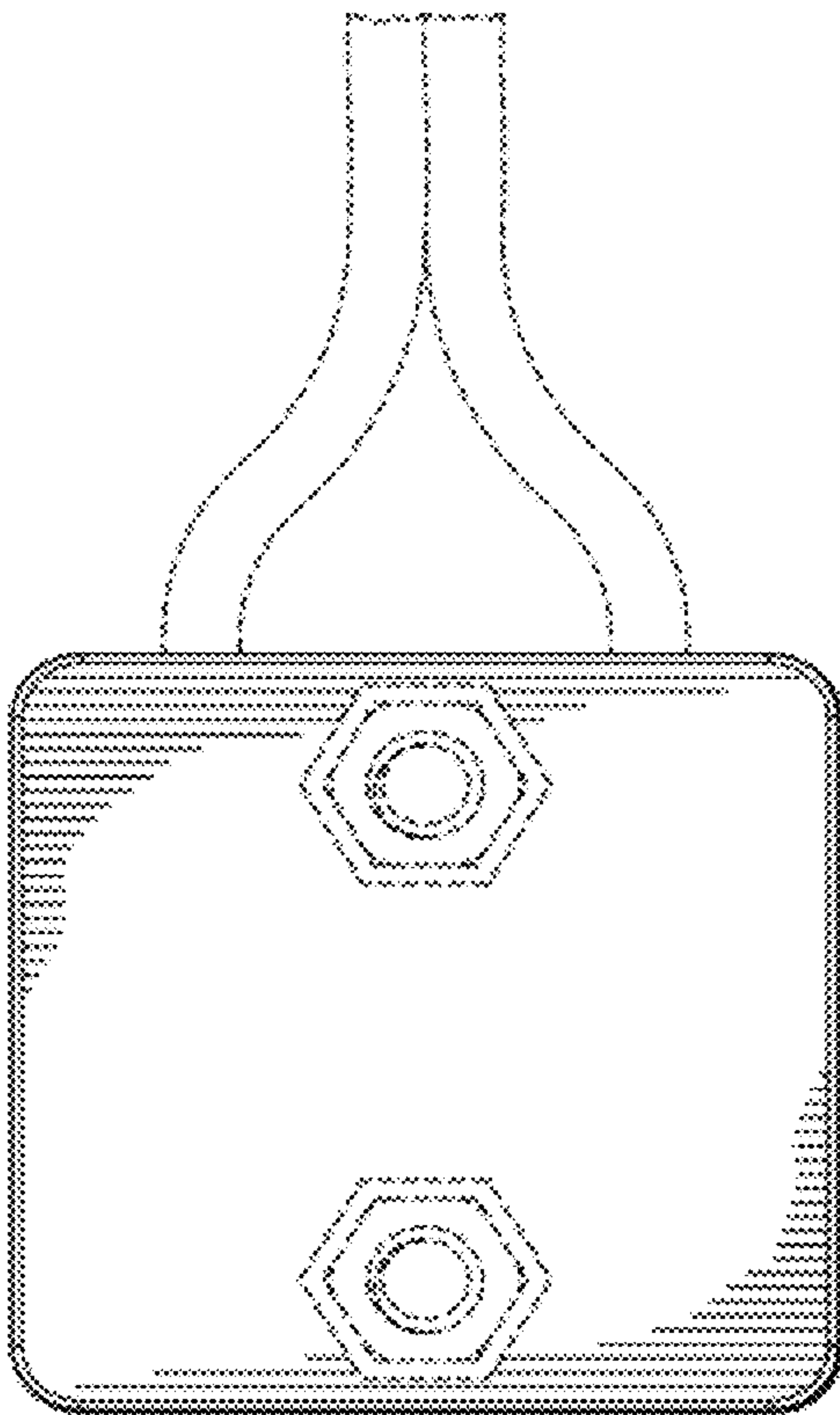


FIG. 6

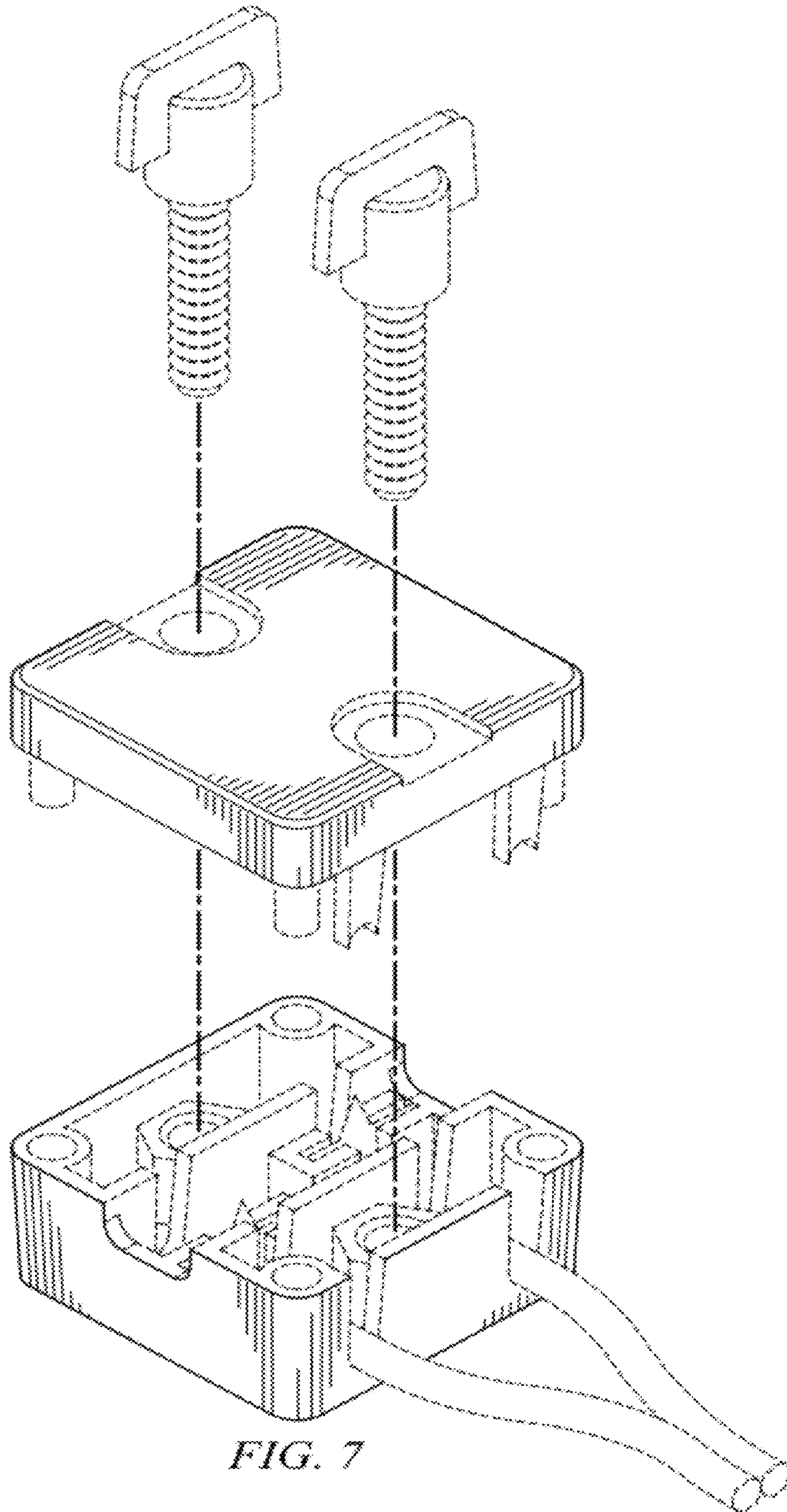


FIG. 7

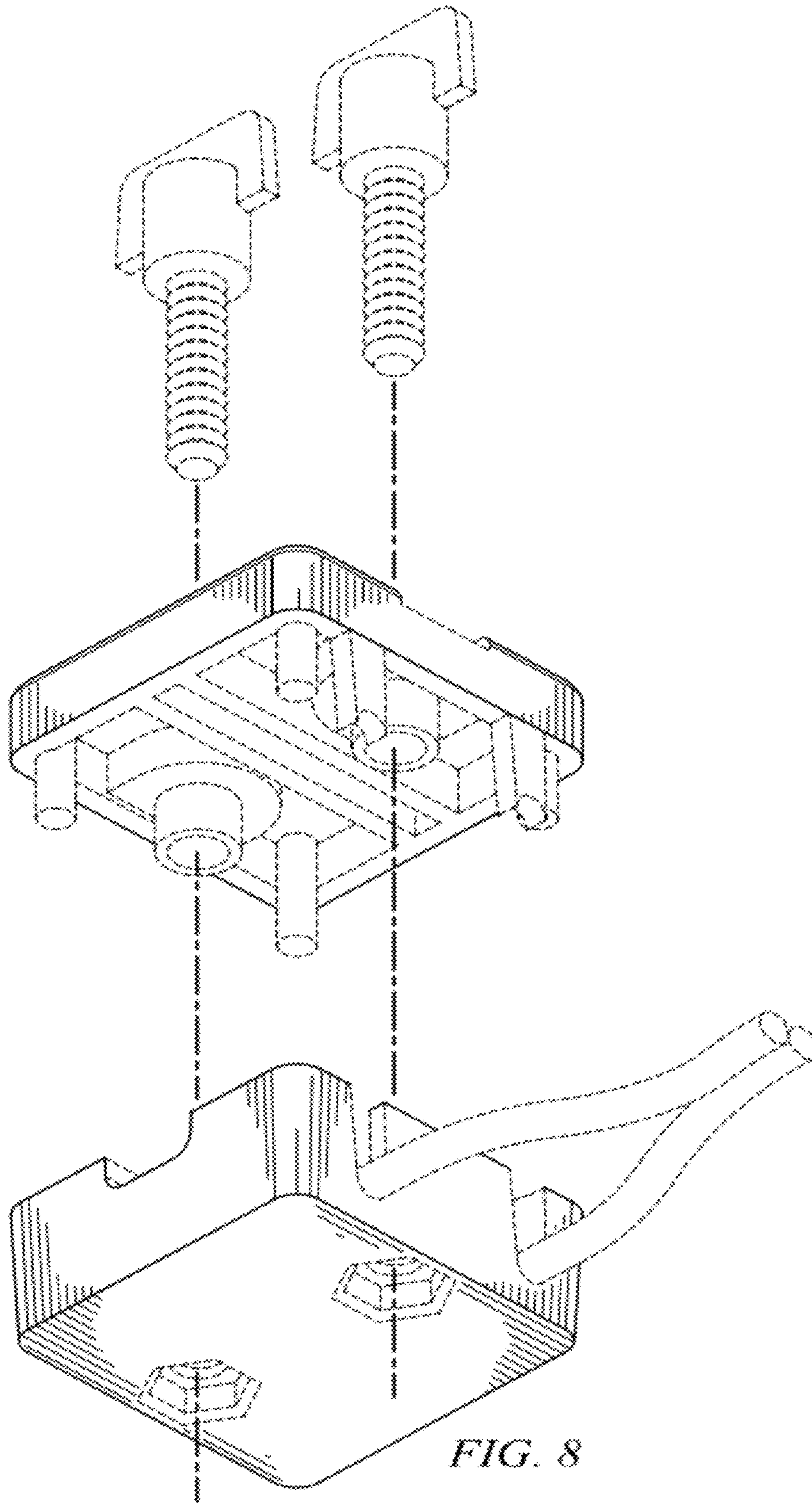


FIG. 8