



US00D665360S

(12) **United States Design Patent**  
**Gieski**

(10) **Patent No.:** **US D665,360 S**

(45) **Date of Patent:** **\*\* Aug. 14, 2012**

(54) **ELECTRICAL TERMINAL**

(75) Inventor: **Christopher S. Gieski**, Dillsburg, PA  
(US)

(73) Assignee: **FCI Americas Technology LLC**,  
Carson City, NV (US)

(\*\*) Term: **14 Years**

(21) Appl. No.: **29/374,911**

(22) Filed: **Oct. 21, 2011**

(51) **LOC (9) Cl.** ..... **13-03**

(52) **U.S. Cl.** ..... **D13/154**

(58) **Field of Classification Search** ..... D13/118,  
D13/120, 133, 147, 154, 184, 199; 439/82,  
439/83, 567, 636, 660, 692, 844, 849, 850-852,  
439/857, 862, 865-867, 870, 877, 884-891  
See application file for complete search history.

(56) **References Cited**

**U.S. PATENT DOCUMENTS**

3,155,449	A *	11/1964	Henschen	.....	439/745
4,458,971	A	7/1984	D'Urso et al.	.....	339/74 R
4,820,169	A	4/1989	Weber et al.	.....	439/65
4,863,400	A *	9/1989	Sato	.....	439/595
4,932,877	A *	6/1990	Zinn	.....	439/839
4,932,891	A *	6/1990	Spanke et al.	.....	439/395
4,932,906	A	6/1990	Kaley et al.	.....	439/857
5,024,610	A	6/1991	French et al.	.....	439/857
5,094,636	A *	3/1992	Zinn et al.	.....	439/839
5,376,012	A	12/1994	Clark	.....	439/80
5,554,056	A *	9/1996	Henricus op ten Berg	...	439/857
5,564,952	A	10/1996	Davis	.....	439/682
5,618,187	A	4/1997	Goto	.....	439/79
6,402,571	B1 *	6/2002	Muller et al.	.....	439/745
D494,545	S *	8/2004	Kuroda et al.	.....	D13/154

6,869,294	B2	3/2005	Clark et al.	.....	439/79
D553,080	S *	10/2007	Sakamaki et al.	.....	D13/133
2002/0193019	A1	12/2002	Blanchfield et al.	.....	439/857

**OTHER PUBLICATIONS**

“DCS-1, 2.8 mm female terminals (power version)”, product brochure, 2 pgs., Jun. 2004.

\* cited by examiner

*Primary Examiner* — Daniel Bui

(74) *Attorney, Agent, or Firm* — Harrington & Smith

(57) **CLAIM**

I claim the ornamental design for an electrical terminal, as shown and described.

**DESCRIPTION**

FIG. 1 is a front, right and top side perspective view of a first embodiment of an electrical terminal showing my new design;

FIG. 2 is a rear, left and top side perspective view thereof;

FIG. 3 is top side plan view thereof;

FIG. 4 is a left side elevational view thereof;

FIG. 5 is a right side elevational view thereof;

FIG. 6 is a front side elevational view thereof;

FIG. 7 is a rear side elevational view thereof;

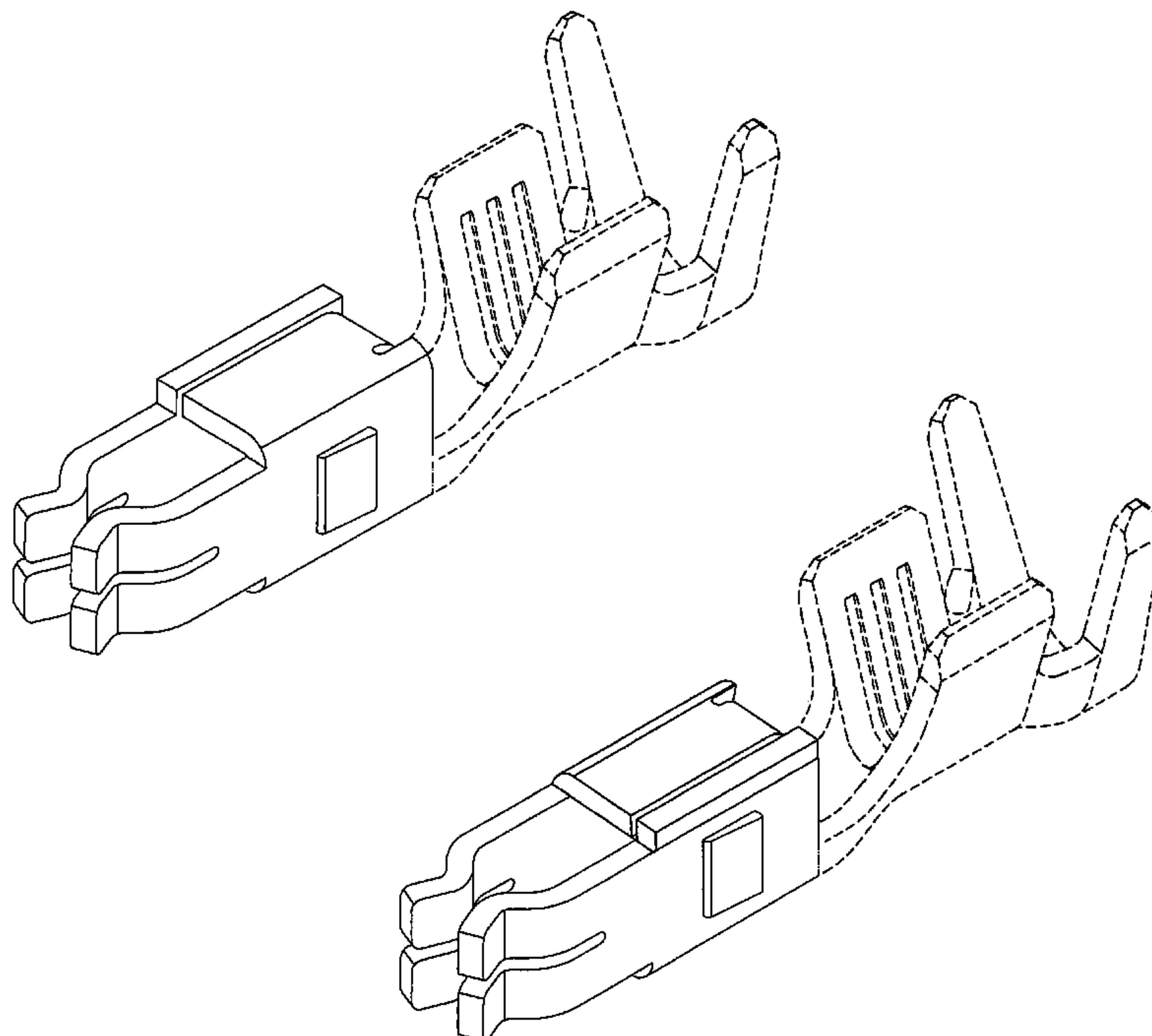
FIG. 8 is a bottom side plan view thereof;

FIG. 9 is a front, right and top side perspective view of a second embodiment of an electrical terminal showing my new design; and,

FIG. 10 is a rear, left and top side perspective view thereof.

The even-broken line portion of the figure drawings is included to show unclaimed subject matter only and forms no part of the claimed design. The dash-dot line represents the boundary of the claimed design.

**1 Claim, 7 Drawing Sheets**



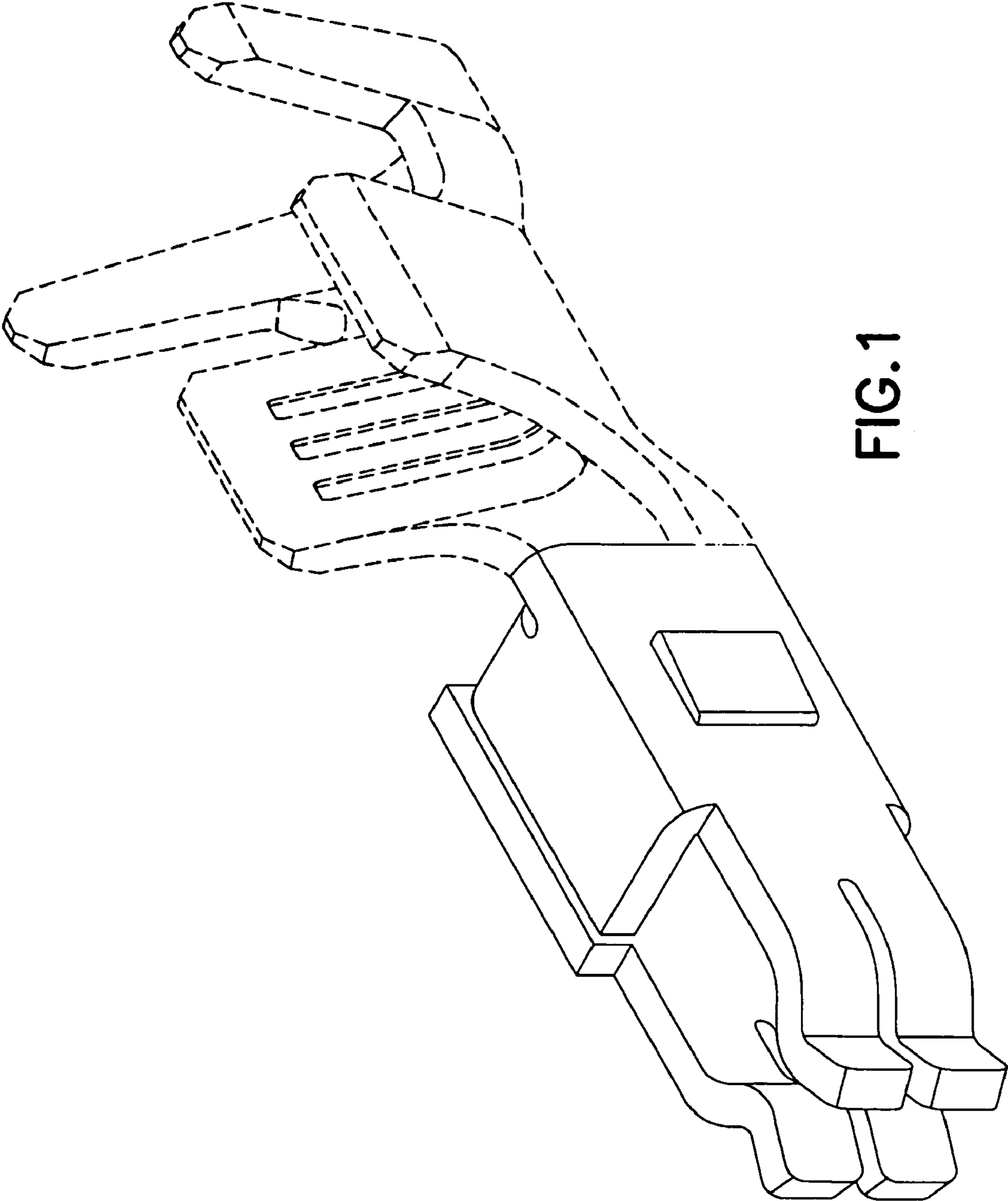


FIG. 1

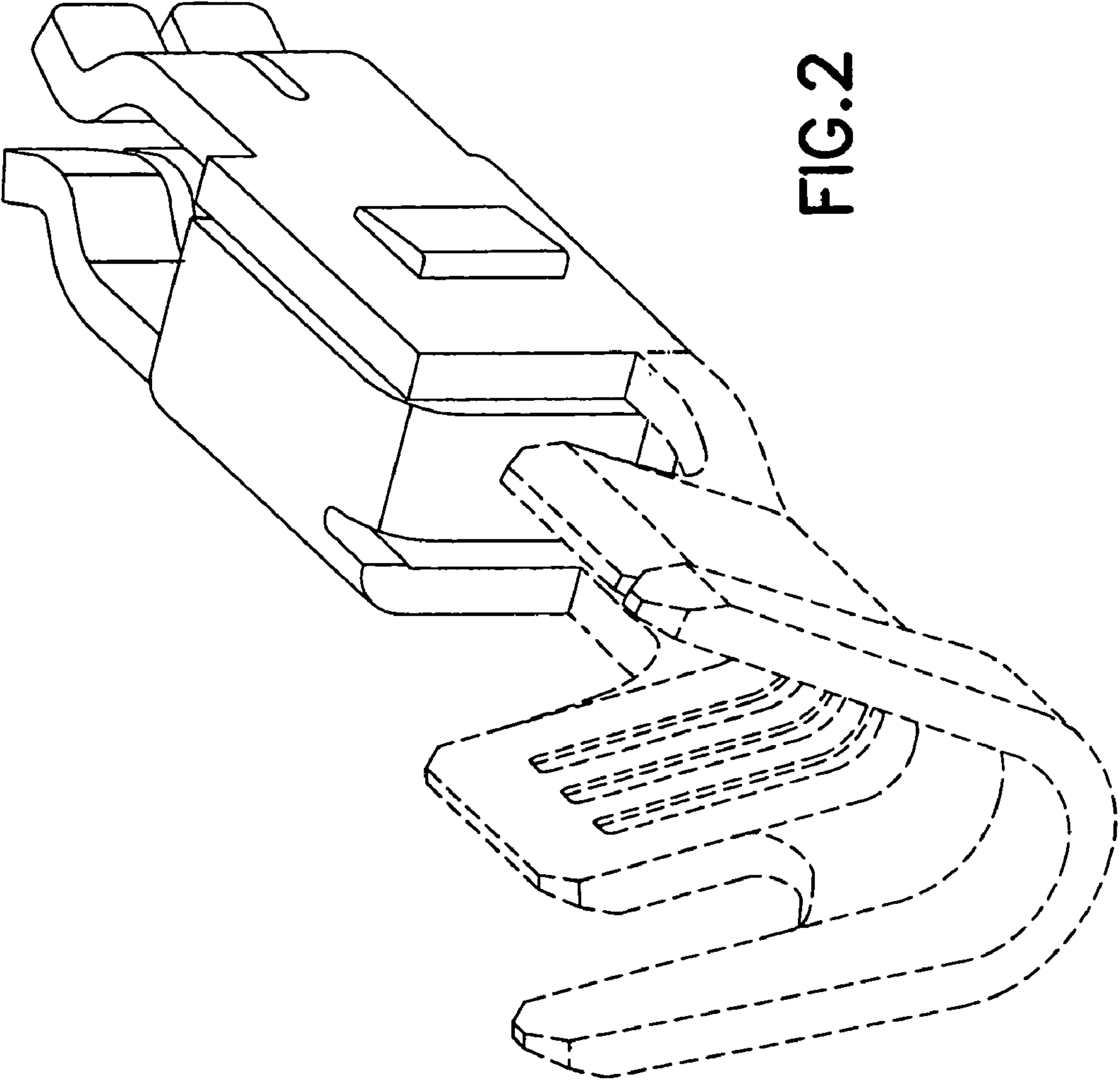


FIG. 2

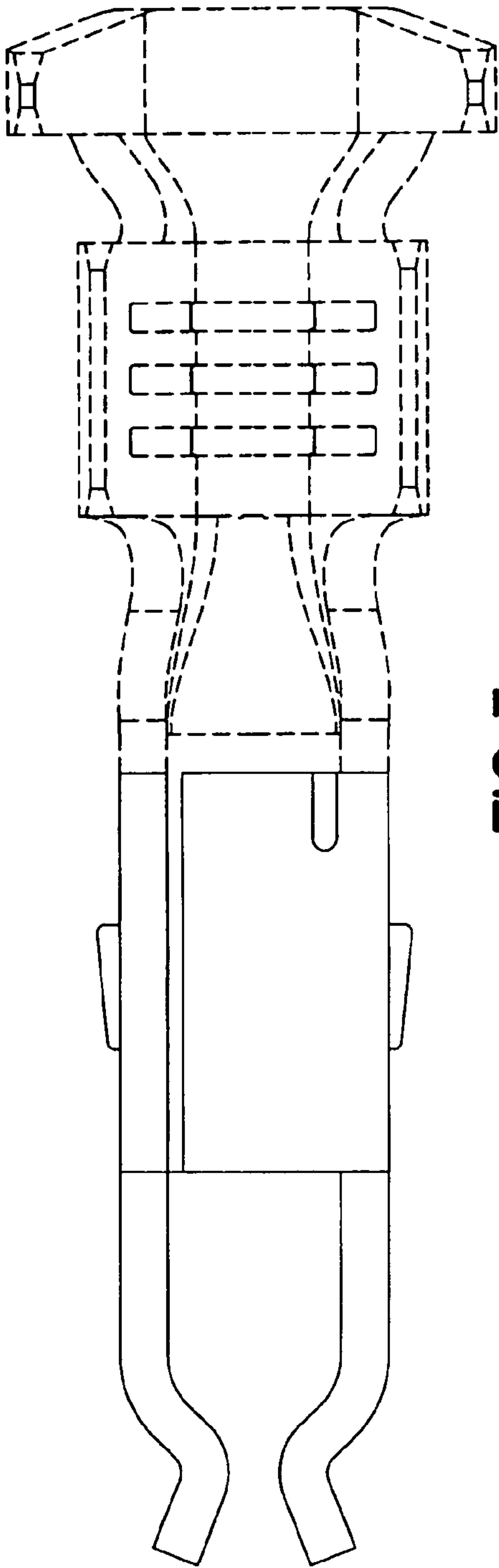


FIG. 3

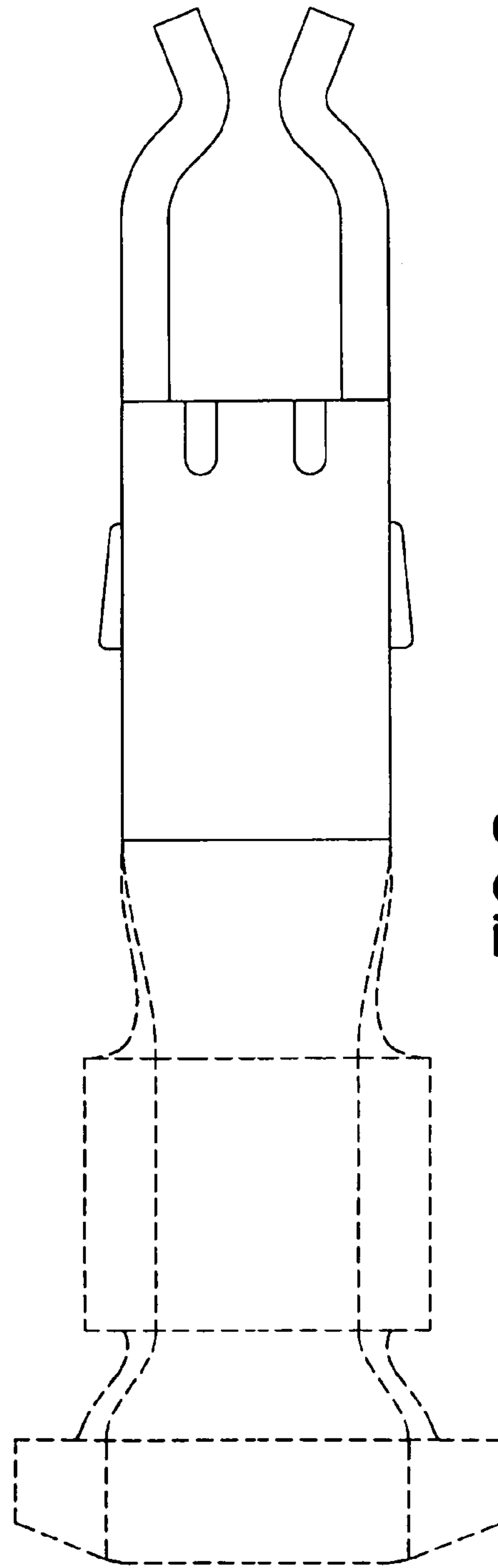


FIG. 8

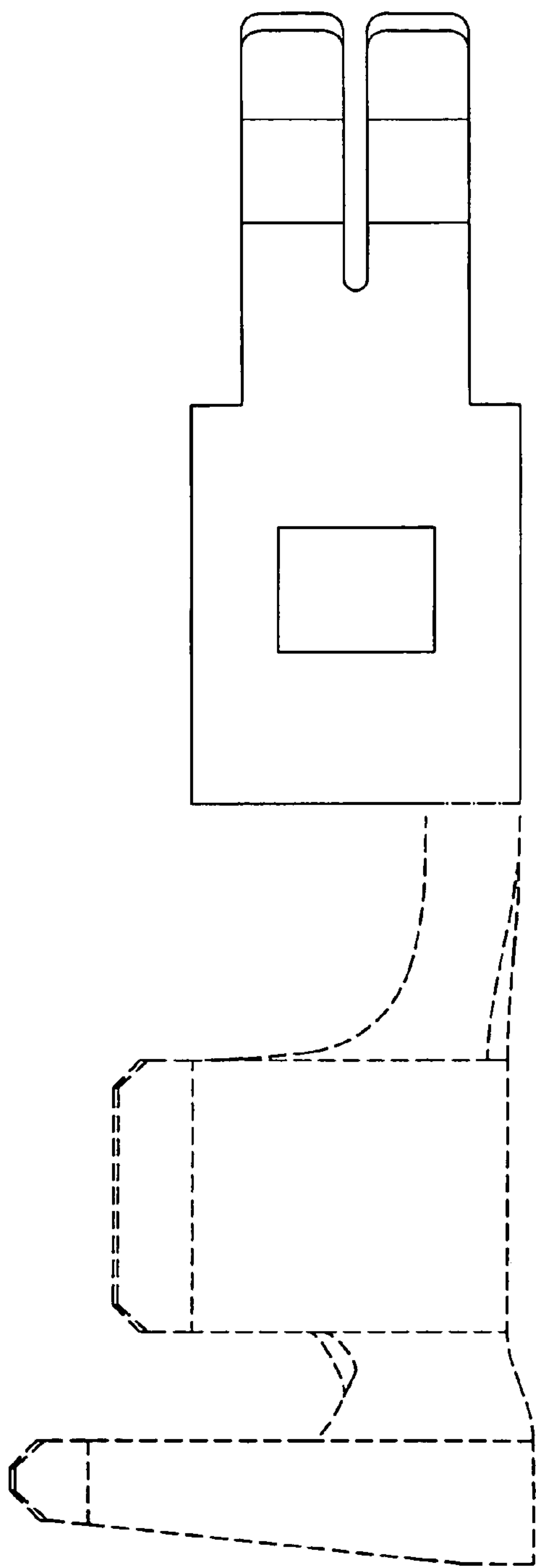


FIG. 4

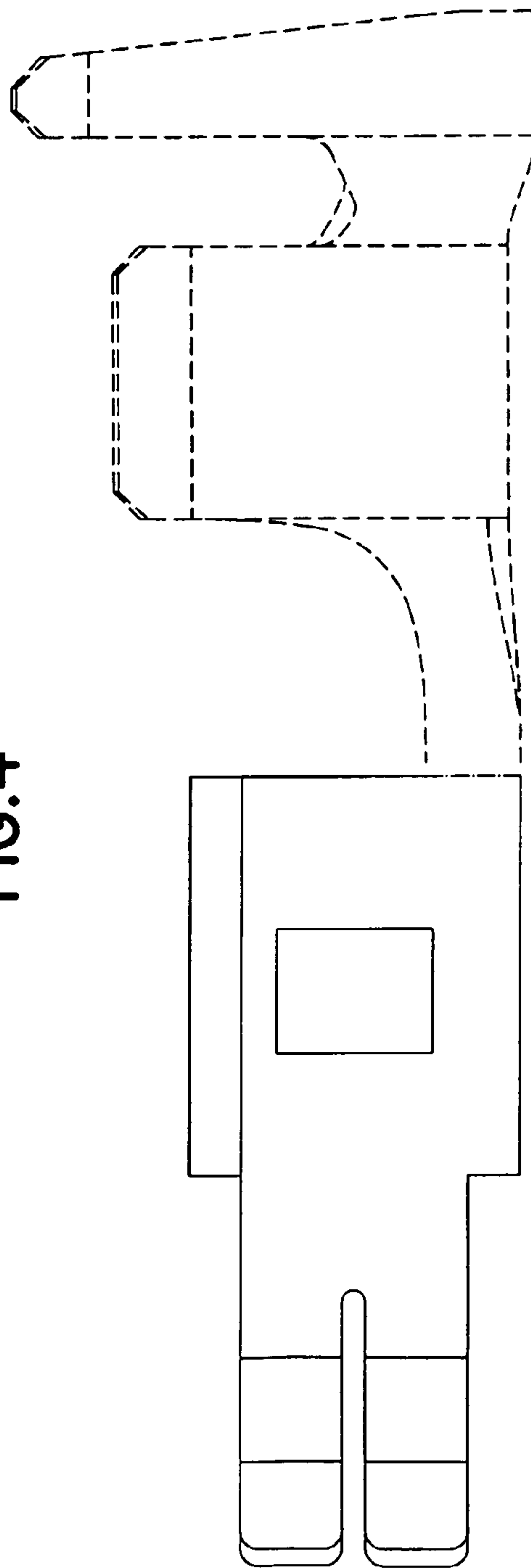


FIG. 5

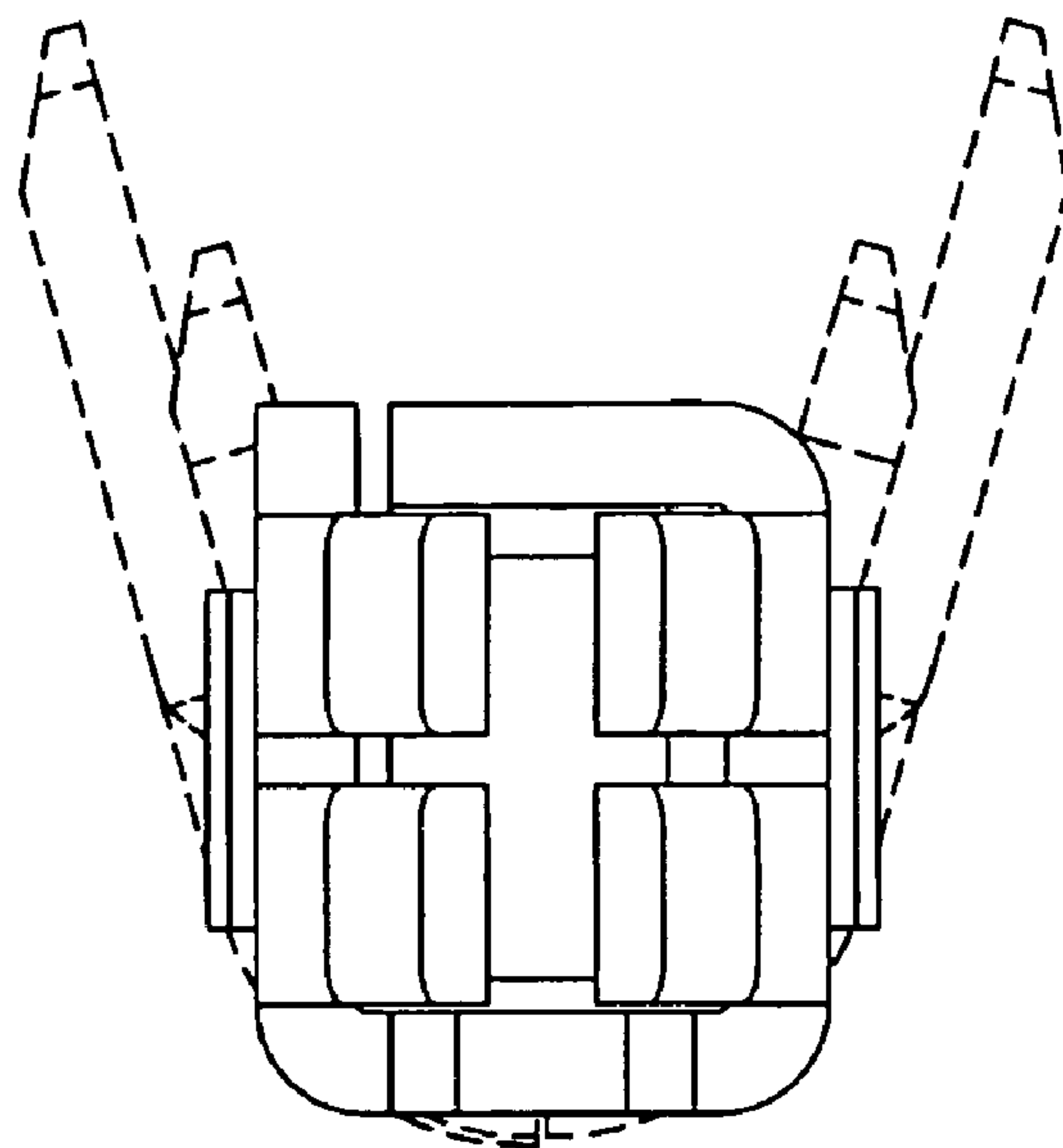


FIG. 6

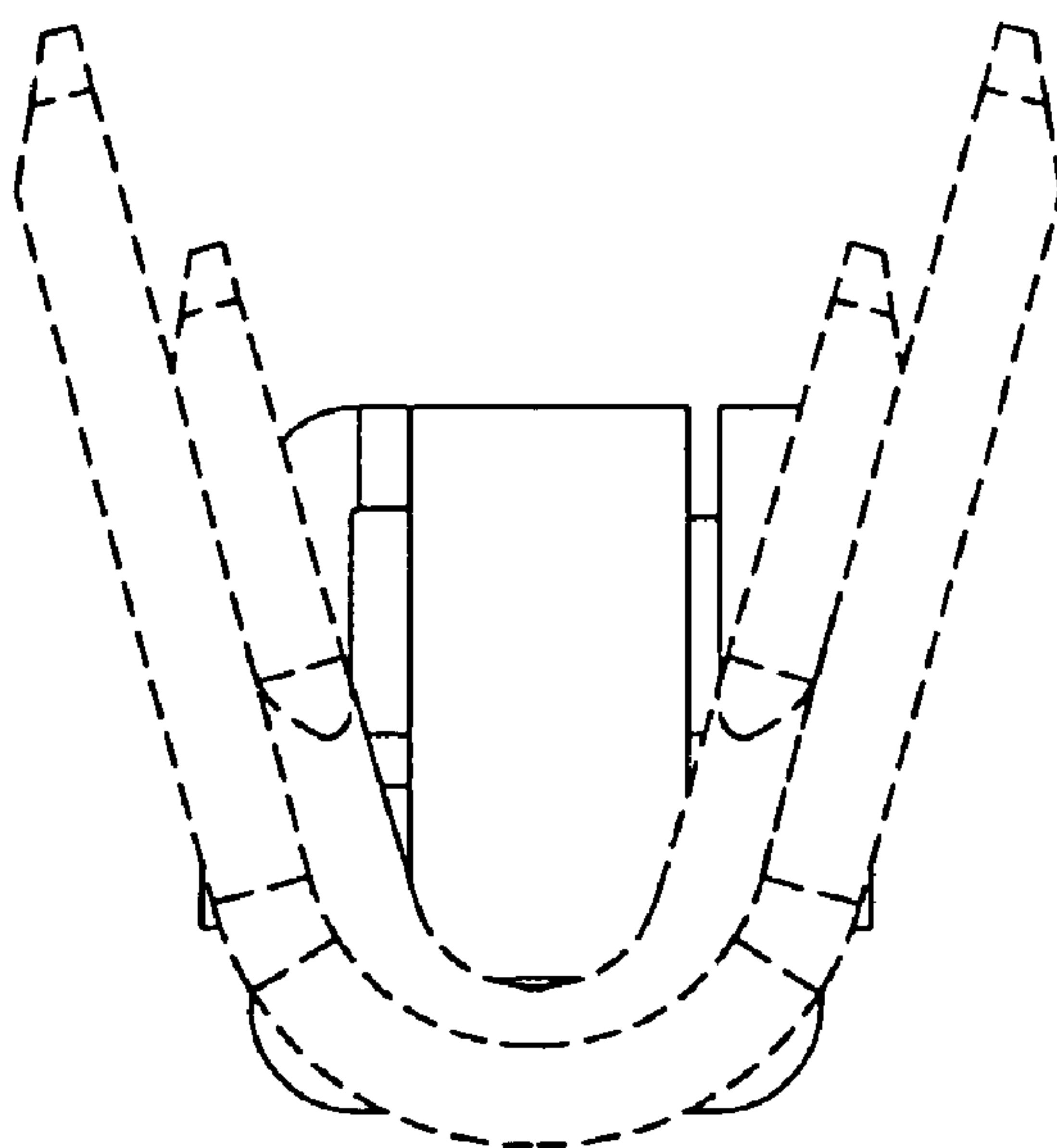


FIG. 7



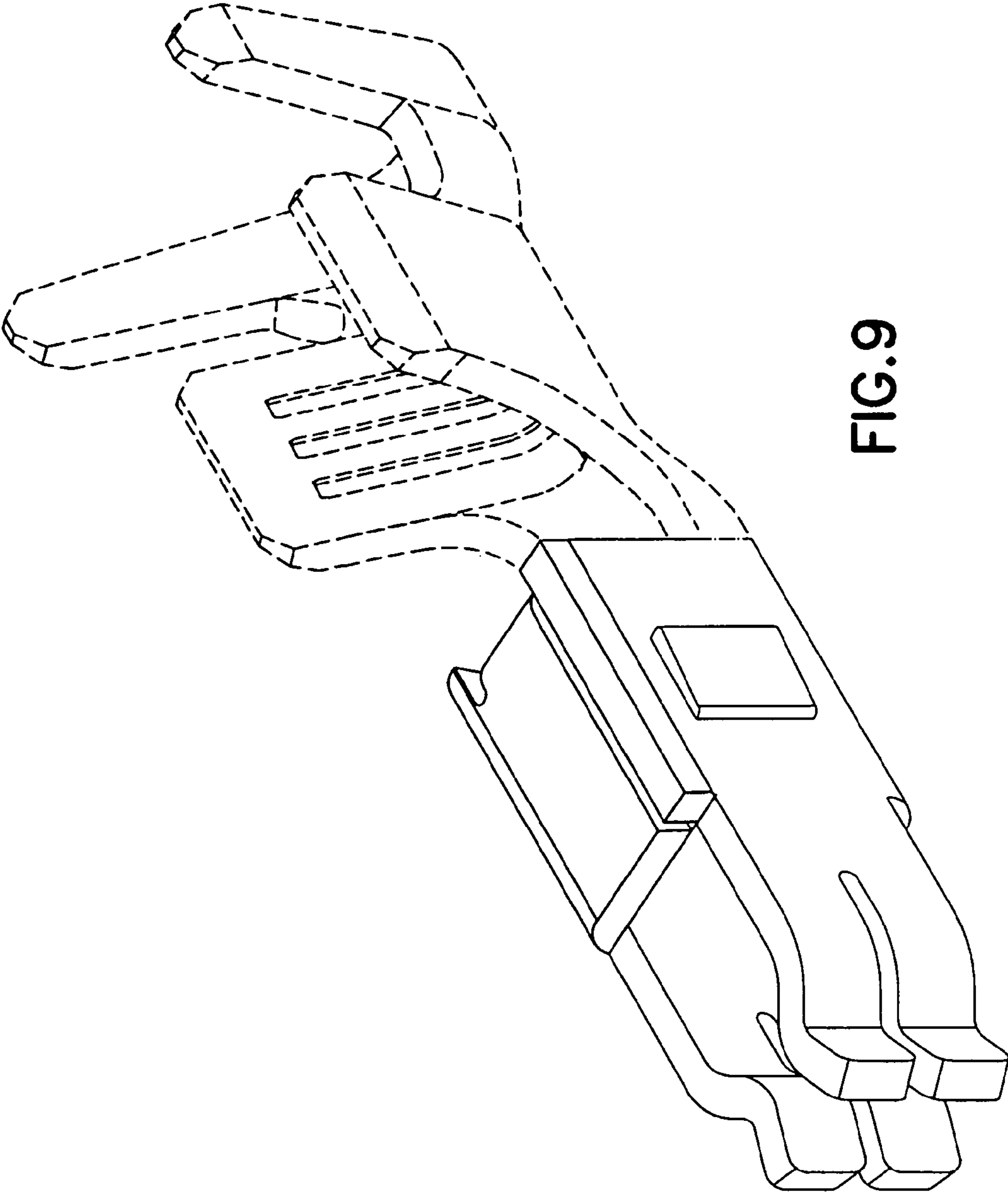


FIG. 9

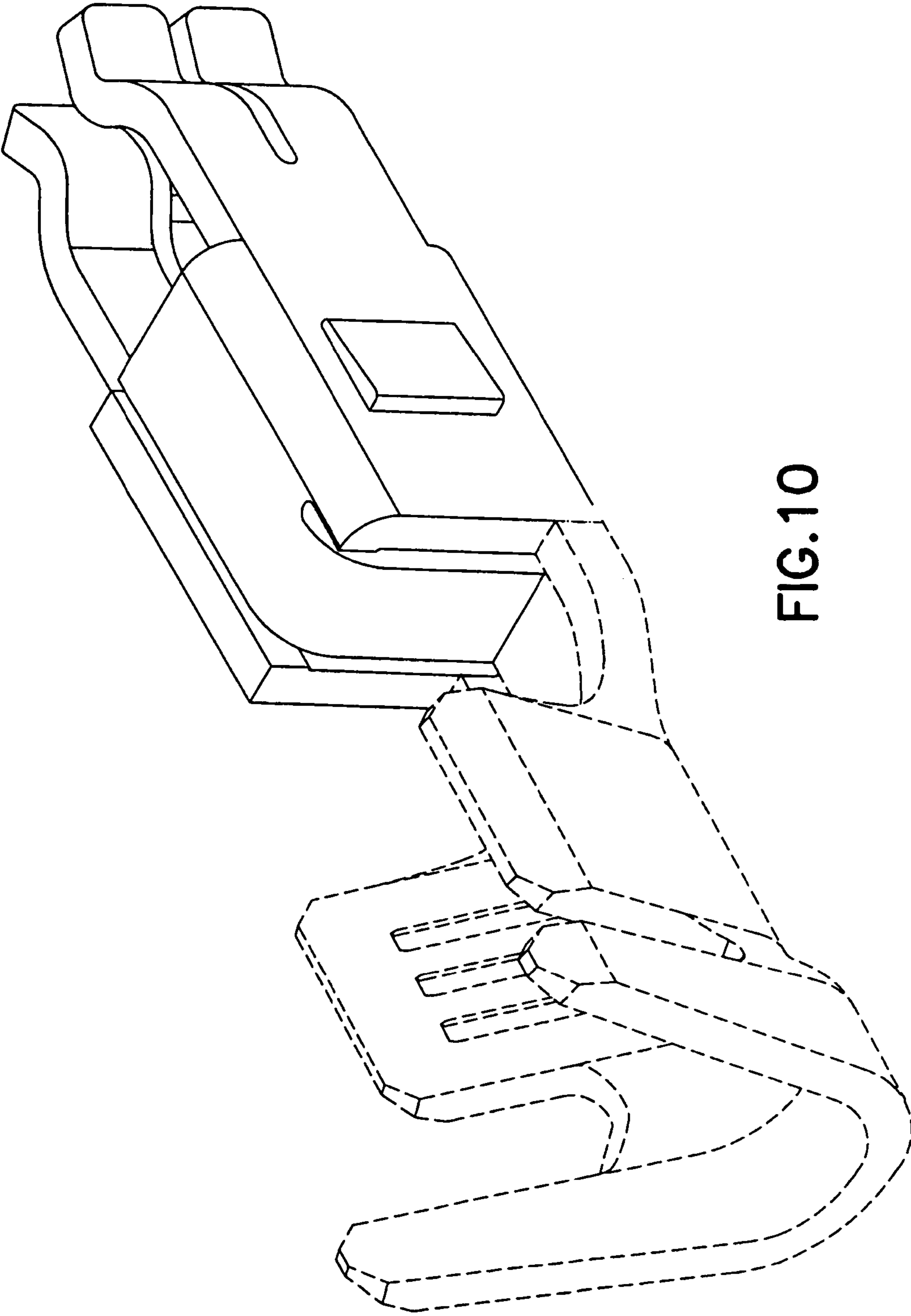


FIG. 10