

US00D665357S

(12) **United States Design Patent**
Ohtsuji

(10) **Patent No.:** **US D665,357 S**

(45) **Date of Patent:** **** Aug. 14, 2012**

(54) **ELECTRICAL CONNECTOR**

(56) **References Cited**

(75) Inventor: **Takahisa Ohtsuji, Yao (JP)**

U.S. PATENT DOCUMENTS

(73) Assignee: **Hosiden Corporation, Yao-shi (JP)**

D559,192 S	1/2008	Arai et al.
D602,872 S	10/2009	Arai et al.
D617,736 S	6/2010	Masumoto et al.
D628,161 S	11/2010	Arai et al.
D654,877 S *	2/2012	Ohtsuji D13/147

(**) Term: **14 Years**

* cited by examiner

(21) Appl. No.: **29/410,596**

Primary Examiner — Daniel Bui

(22) Filed: **Jan. 10, 2012**

(74) *Attorney, Agent, or Firm* — Rankin, Hill & Clark LLP

Related U.S. Application Data

(57) **CLAIM**

(62) Division of application No. 29/386,998, filed on Mar. 8, 2011, now Pat. No. Des. 654,877.

The ornamental design for an electrical connector, as shown and described.

DESCRIPTION

(30) **Foreign Application Priority Data**

Sep. 10, 2010	(JP)	2010-021849
Sep. 10, 2010	(JP)	2010-021850
Sep. 10, 2010	(JP)	2010-021851

FIG. 1 is a front, right side and bottom perspective view of an electrical connector showing of my new design;
 FIG. 2 is a rear, right side and top perspective view thereof;
 FIG. 3 is a front elevation view thereof;
 FIG. 4 is a rear elevation view thereof;
 FIG. 5 is a left side view thereof, a right side view being a mirror image thereof;
 FIG. 6 is a top plan view thereof; and,
 FIG. 7 is a bottom plan view thereof.
 The broken line in FIG. 3 drawing view is included to show unclaimed environment and forms no part of the claimed design.

(51) **LOC (9) Cl.** **13-03**

(52) **U.S. Cl.** **D13/147**

(58) **Field of Classification Search** D13/147,
D13/154, 184, 199; 439/79, 108, 378, 567,
439/607.01, 607.04, 607.05, 607.17, 607.25,
439/607.34, 607.41, 607.53, 668, 680

See application file for complete search history.

1 Claim, 3 Drawing Sheets

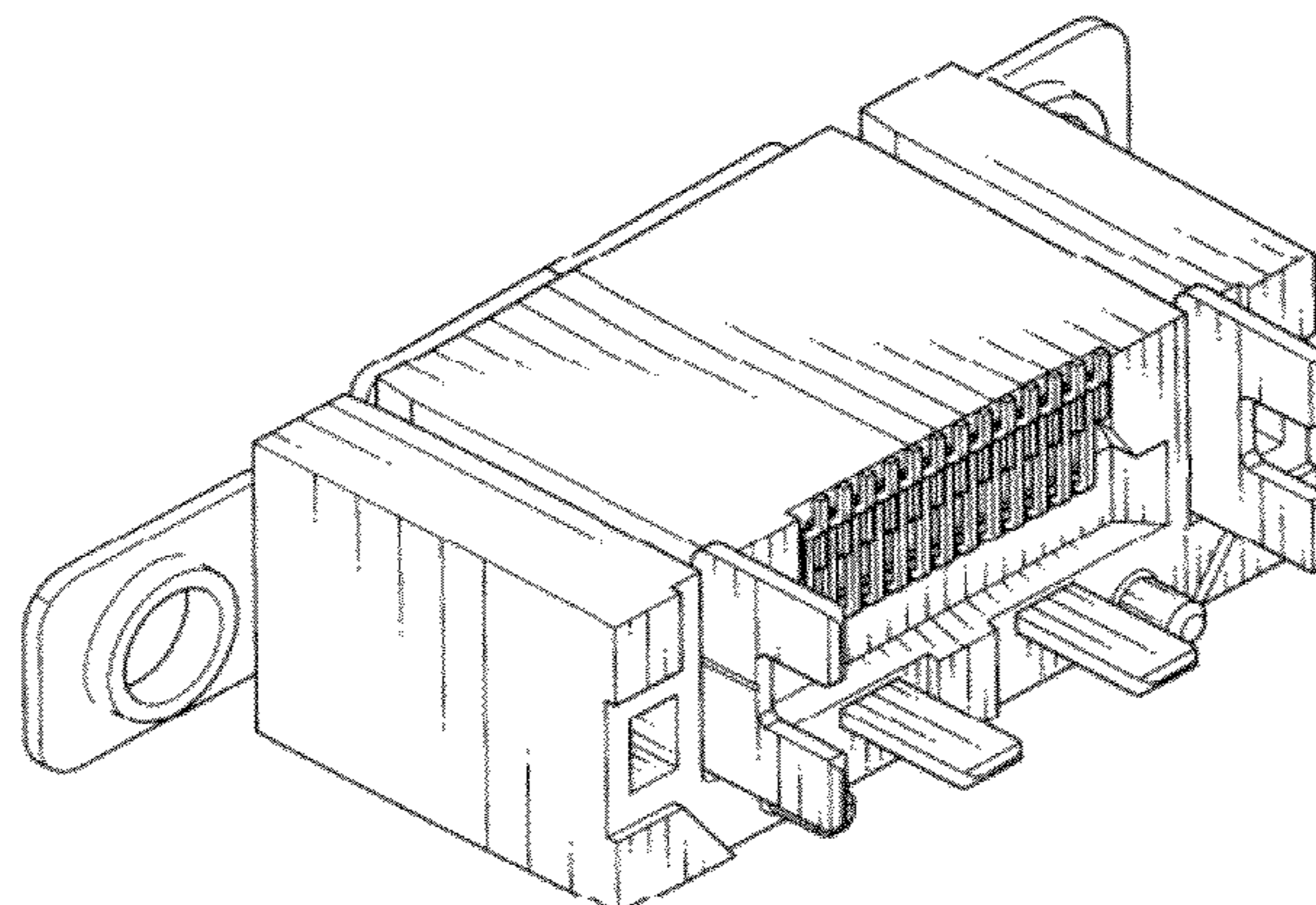
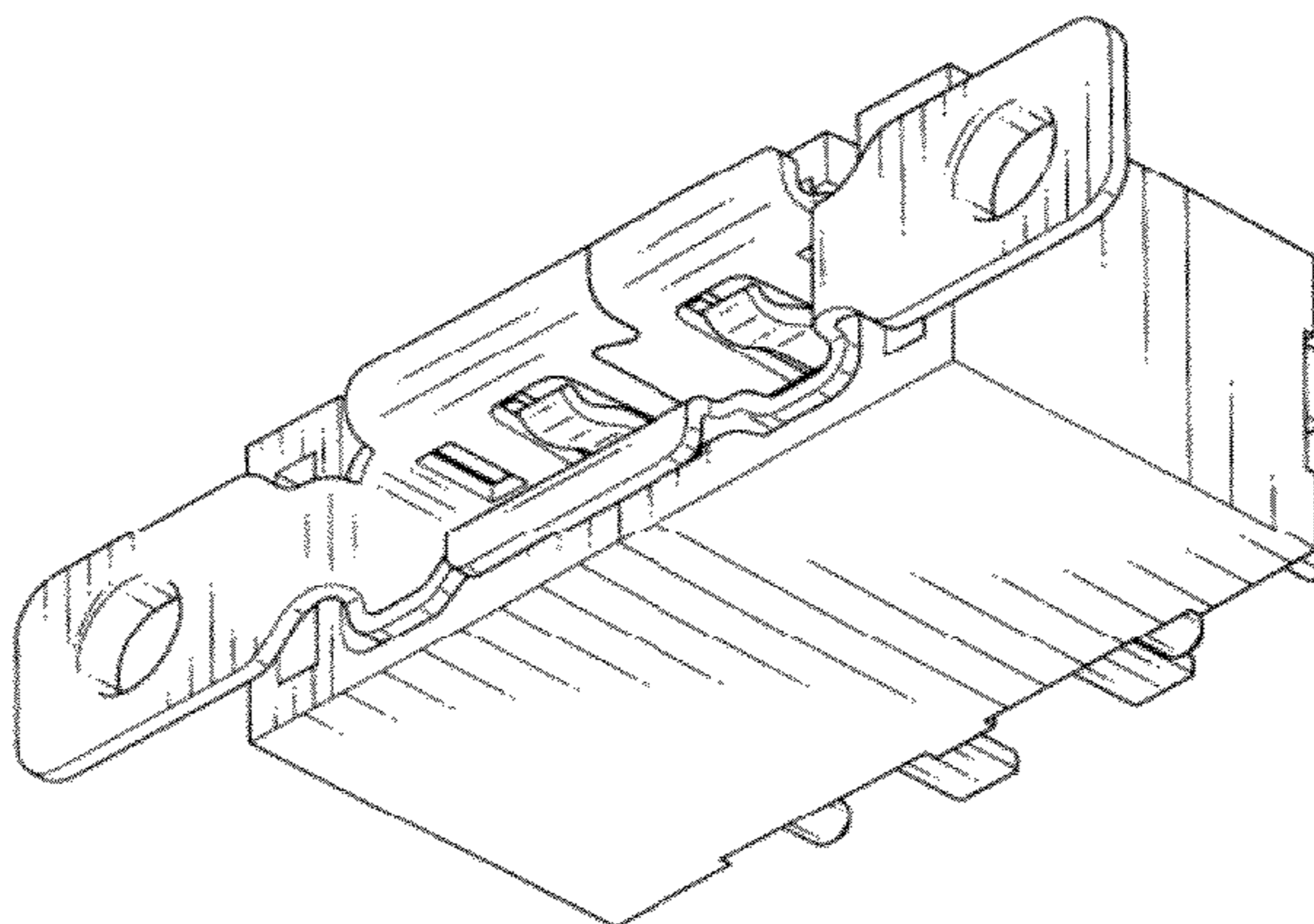


Fig. 1

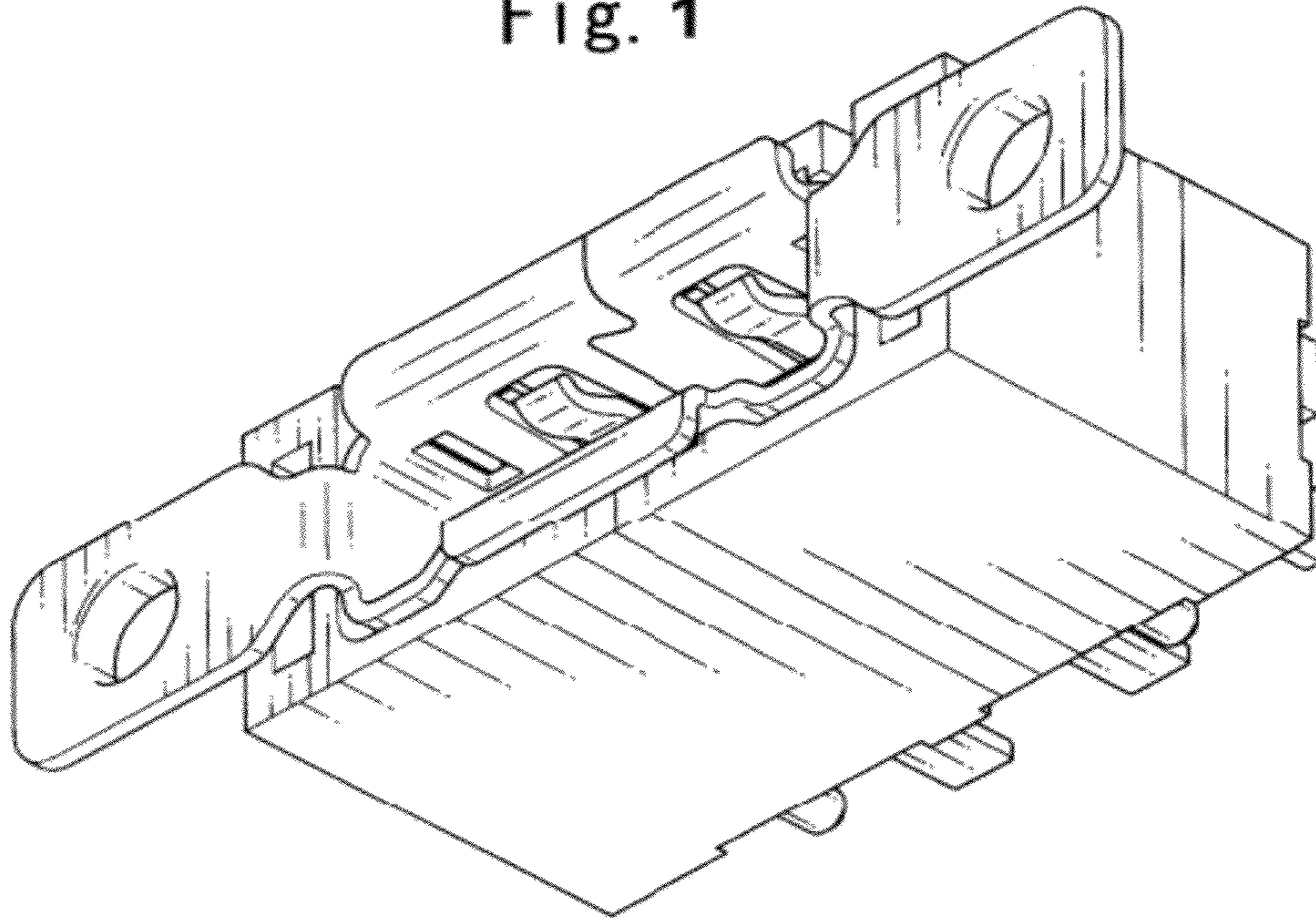


Fig. 2

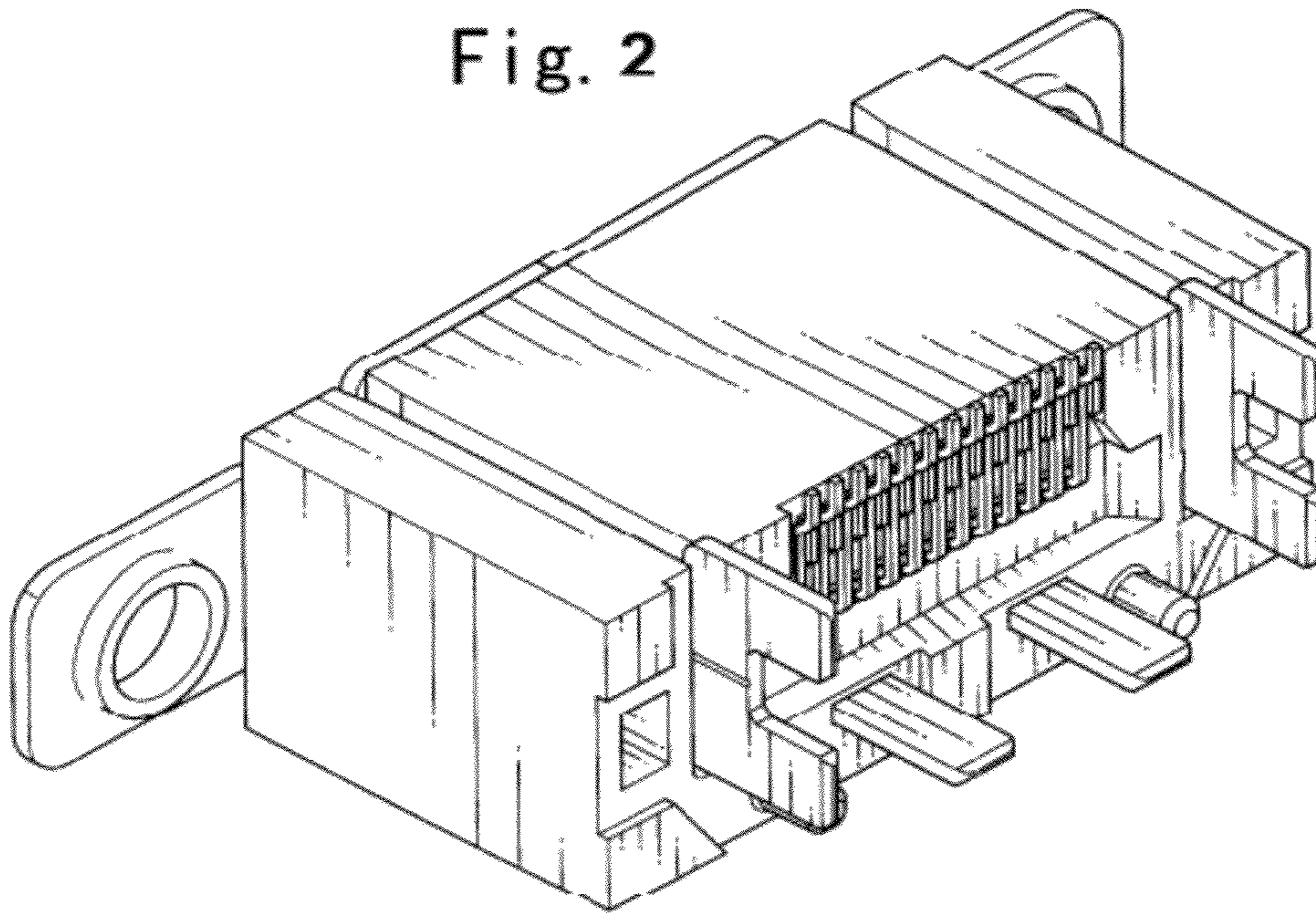


Fig. 3

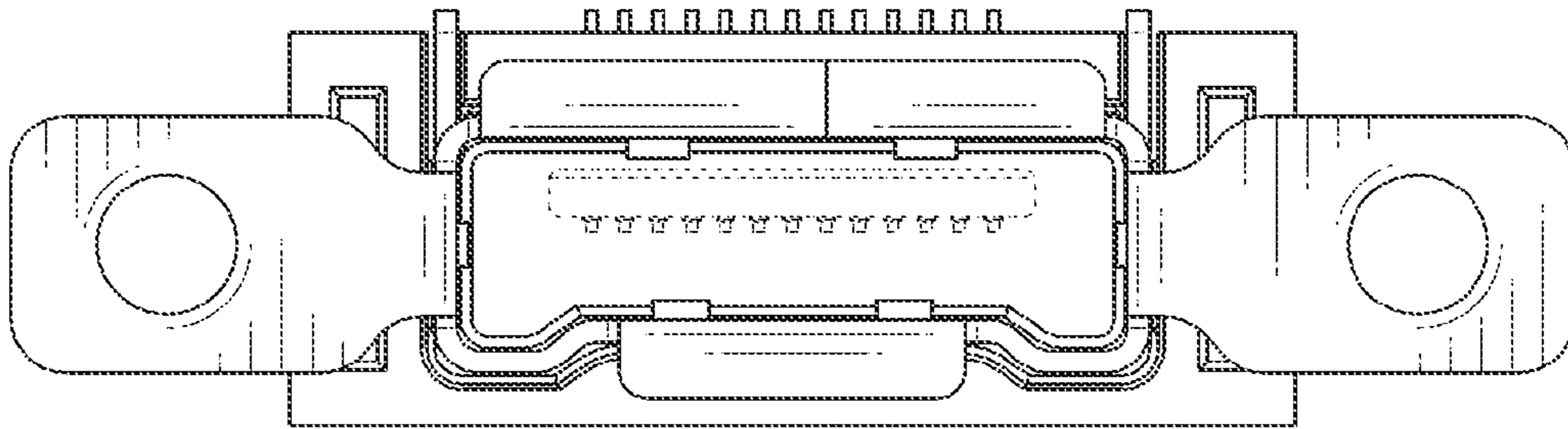


Fig. 4

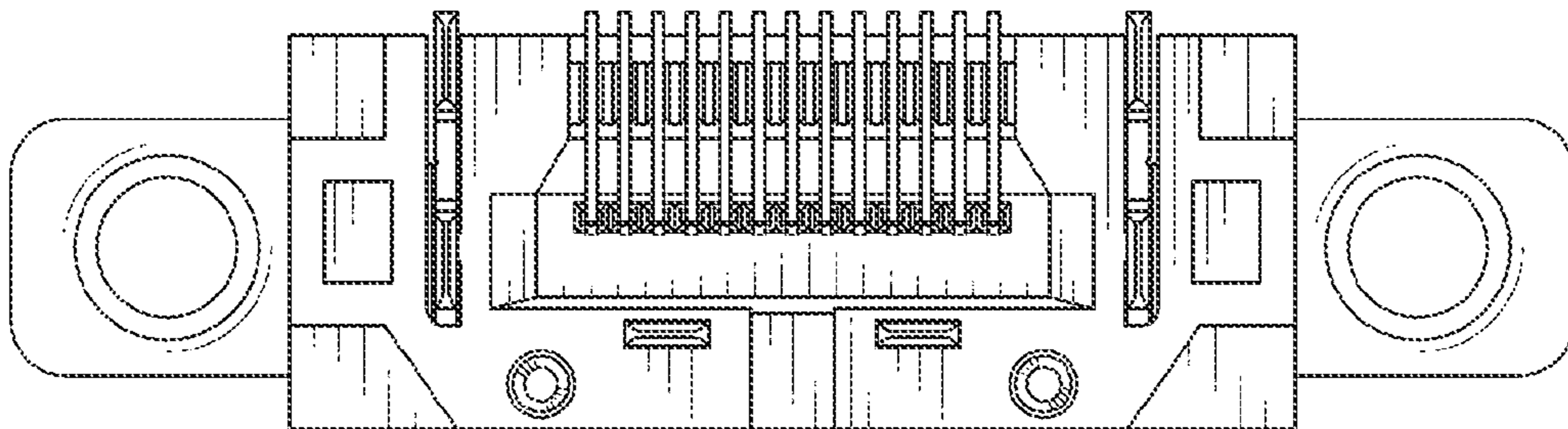


Fig. 5

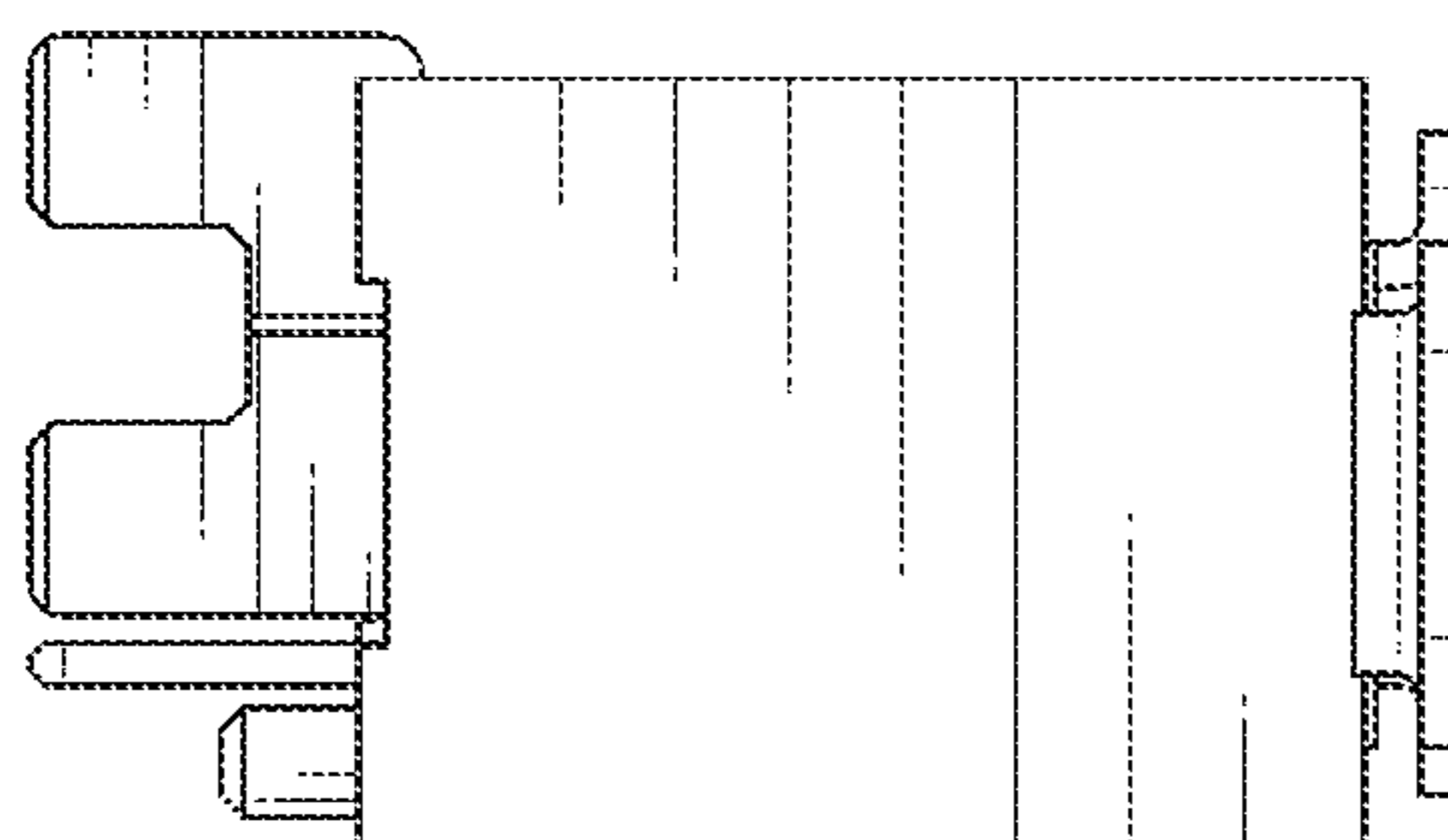


Fig. 6

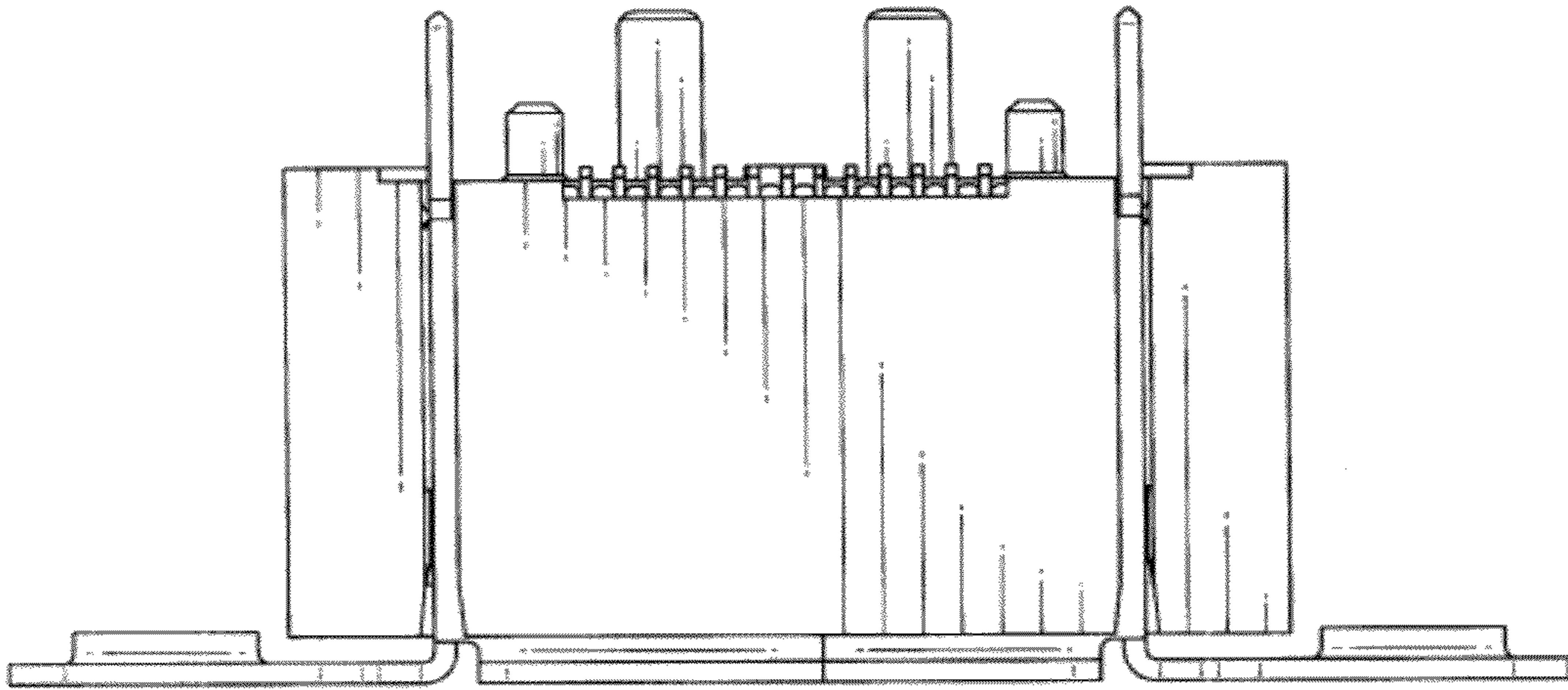


Fig. 7

