

US00D665356S

(12) **United States Design Patent**  
**Liu**

(10) **Patent No.:** **US D665,356 S**

(45) **Date of Patent:** **\*\* Aug. 14, 2012**

(54) **CARD CONNECTOR**

(75) Inventor: **Zhu-Rui Liu**, Guang-Dong (CN)

(73) Assignee: **Cheng Uei Precision Industry Co., Ltd.**, New Taipei (TW)

(\*\*) Term: **14 Years**

(21) Appl. No.: **29/400,314**

(22) Filed: **Aug. 25, 2011**

(51) **LOC (9) Cl.** ..... **13-03**

(52) **U.S. Cl.** ..... **D13/147**

(58) **Field of Classification Search** ..... D13/147,  
D13/154, 184, 199; 439/64, 79, 159-160,  
439/330, 331, 341, 342, 629, 630, 636, 600,  
439/607.01, 607.04, 607.05, 607.17, 607.25,  
439/607.34, 607.41, 607.53, 862, 884, 946

See application file for complete search history.

(56) **References Cited**

**U.S. PATENT DOCUMENTS**

D566,655 S \* 4/2008 Chen et al. .... D13/147  
D580,363 S \* 11/2008 Hung ..... D13/147  
D627,736 S \* 11/2010 Gao et al. .... D13/147

D644,997 S \* 9/2011 Su et al. .... D13/147  
D647,859 S \* 11/2011 Liu et al. .... D13/147  
D648,681 S \* 11/2011 Huang ..... D13/147

\* cited by examiner

*Primary Examiner* — Daniel Bui

(74) *Attorney, Agent, or Firm* — Cheng-Ju Chiang

(57) **CLAIM**

The ornamental design for a card connector, as shown and described.

**DESCRIPTION**

FIG. 1 is a perspective view of a card connector showing my new design;

FIG. 2 is a front elevational view thereof;

FIG. 3 is a rear elevational view thereof;

FIG. 4 is a left side elevational view thereof;

FIG. 5 is a right side elevational view thereof;

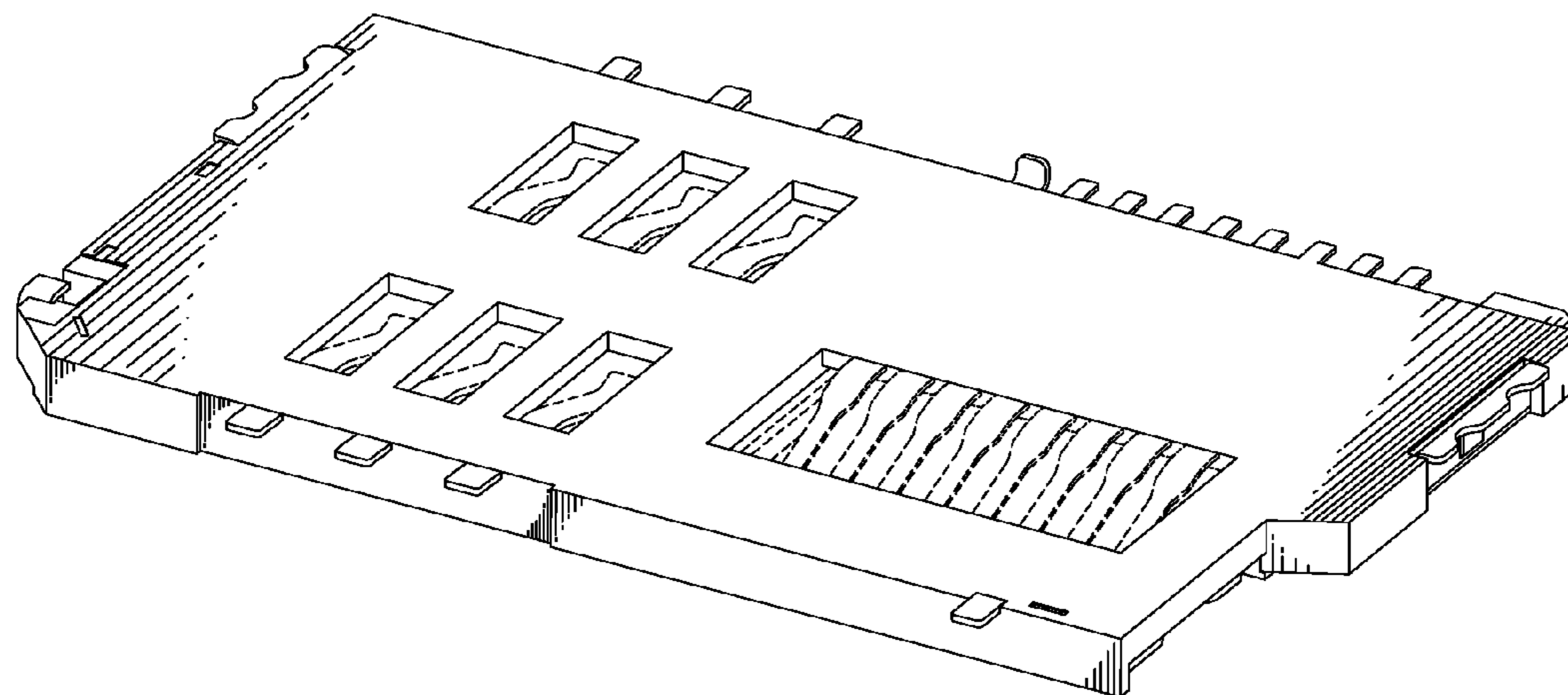
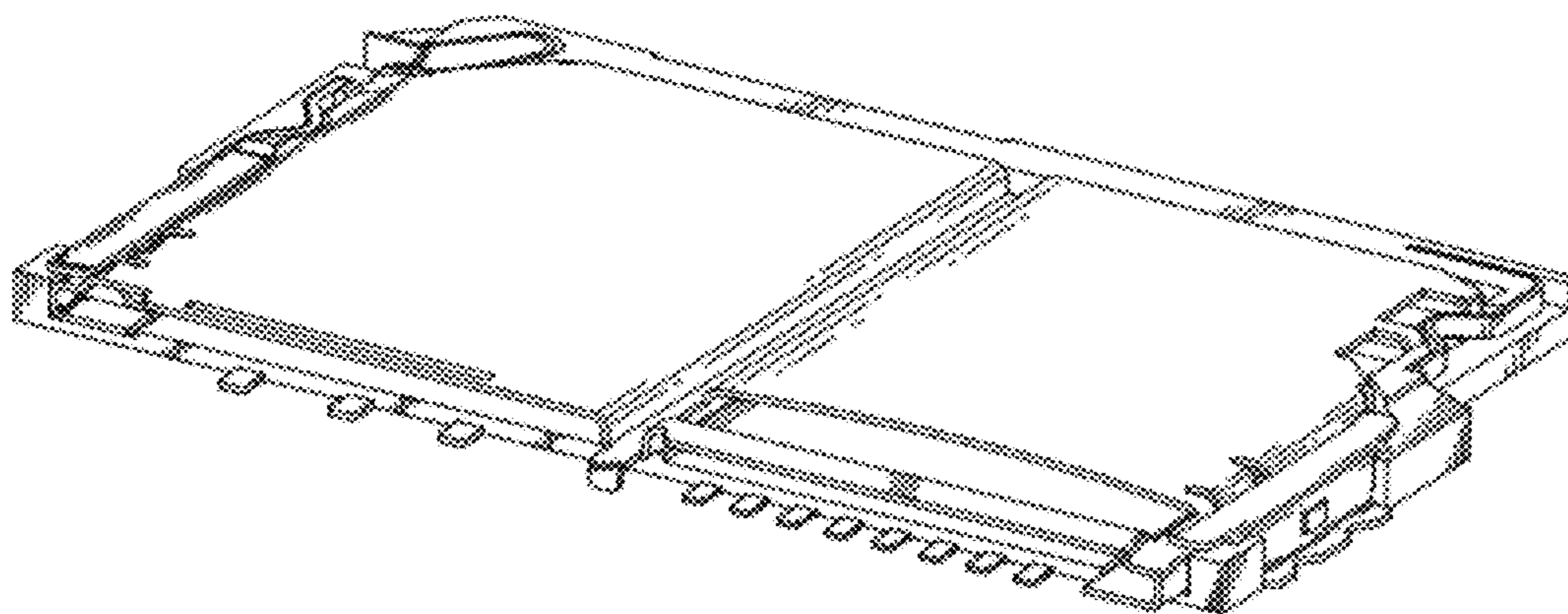
FIG. 6 is a top plan view thereof;

FIG. 7 is a bottom plan view thereof; and,

FIG. 8 is another perspective view of the card connector showing my new design.

The broken line portion of the figure drawings is included to show unclaimed subject matter only and forms no part of the claimed design.

**1 Claim, 8 Drawing Sheets**



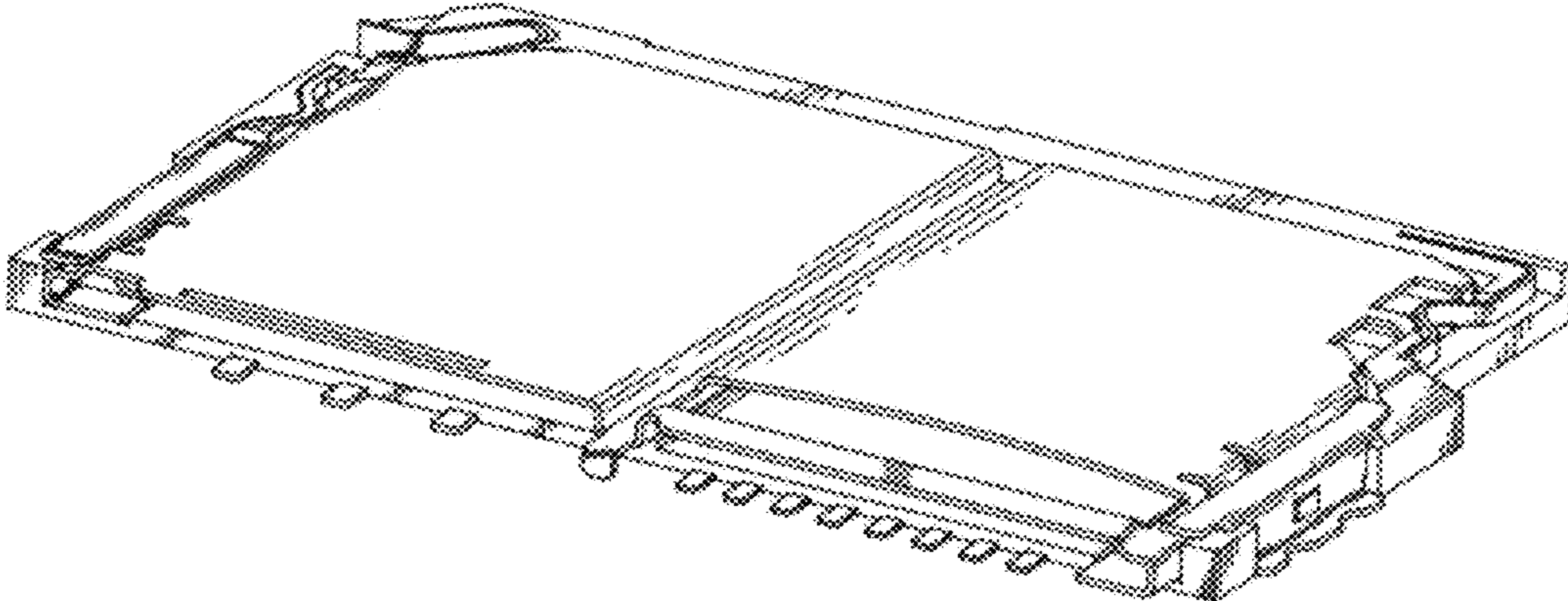


FIG. 1



FIG. 2



FIG. 3

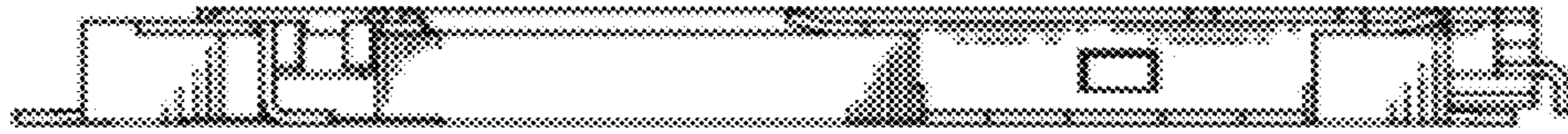


FIG. 4



FIG. 5

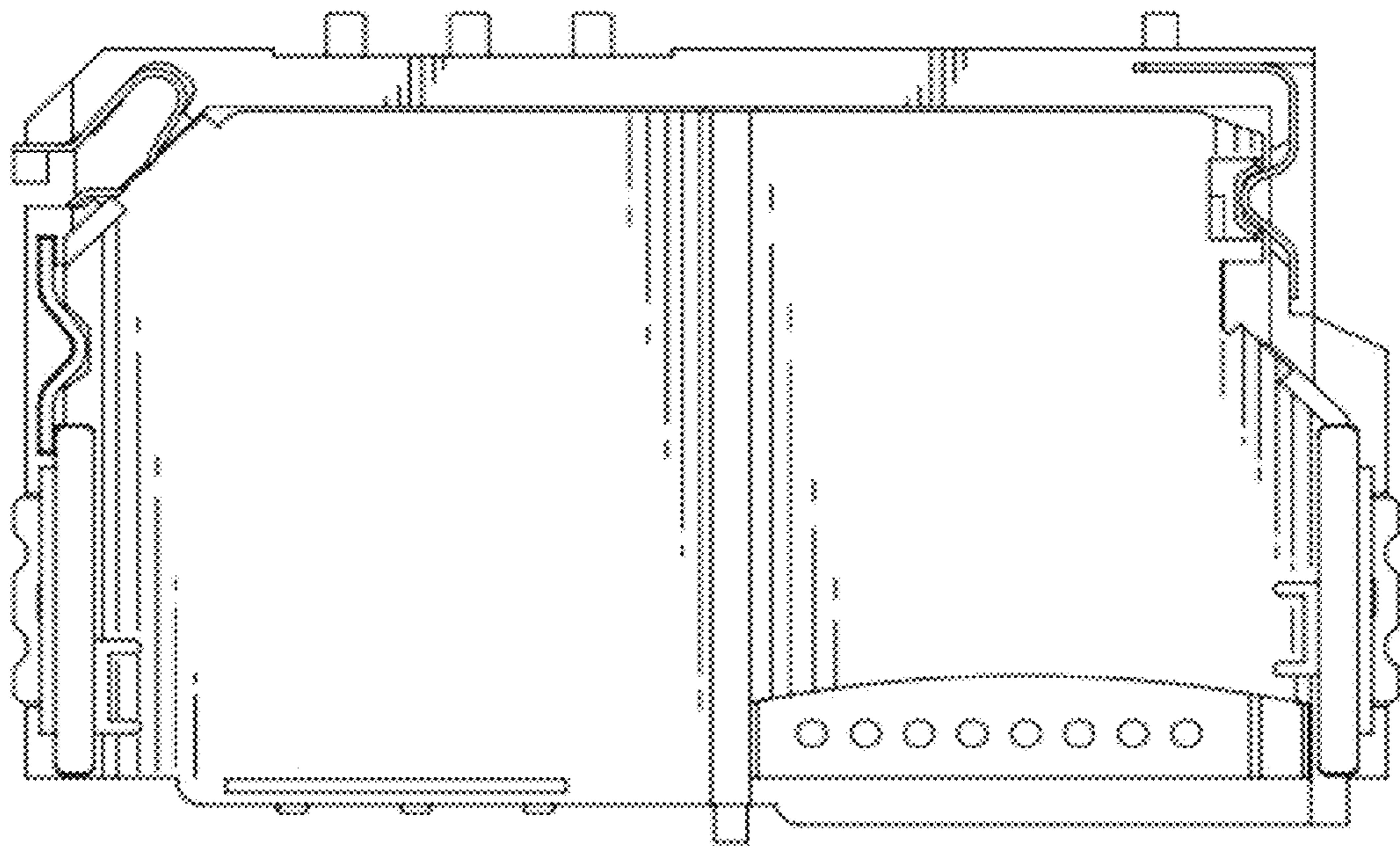


FIG. 6

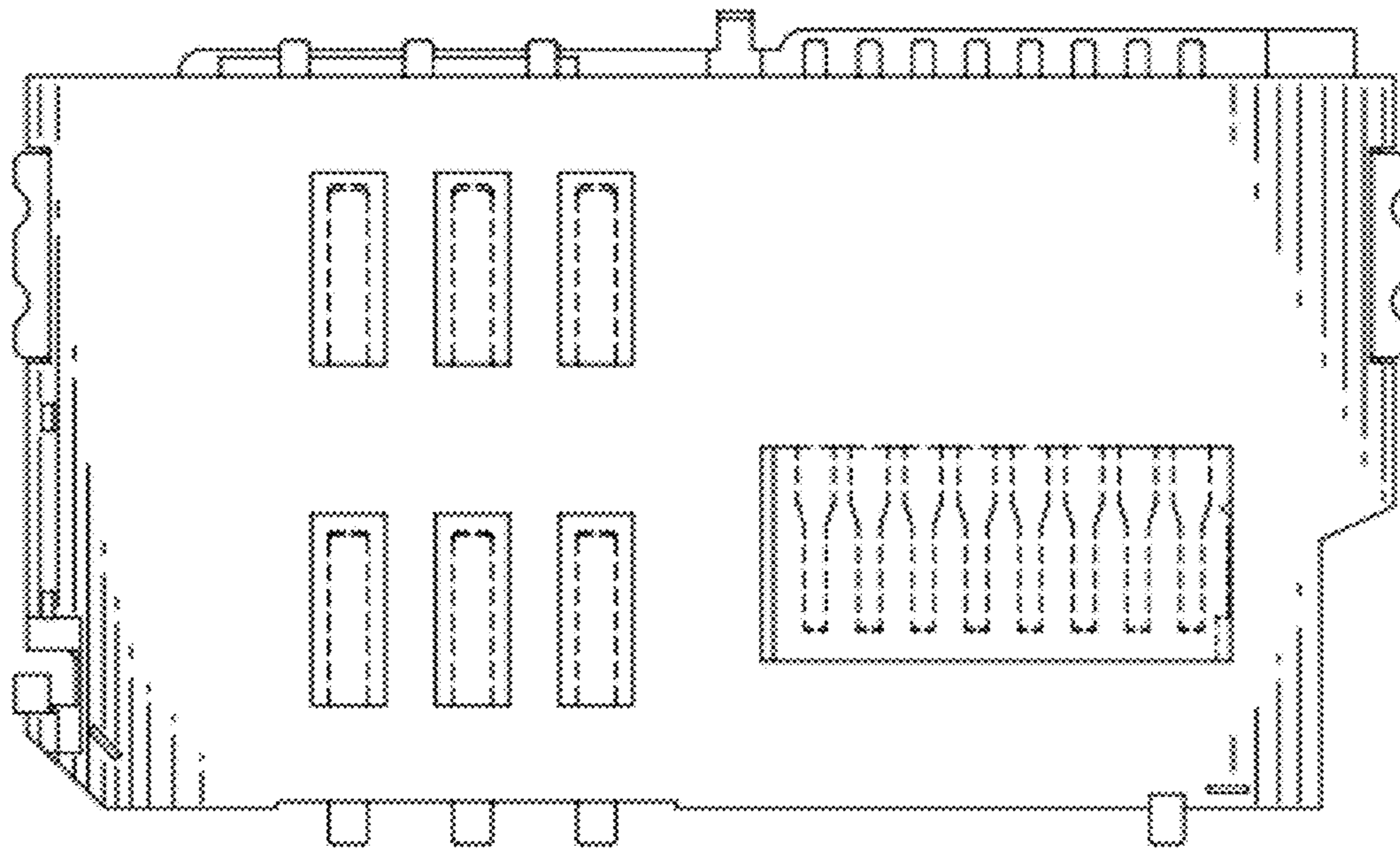


FIG. 7



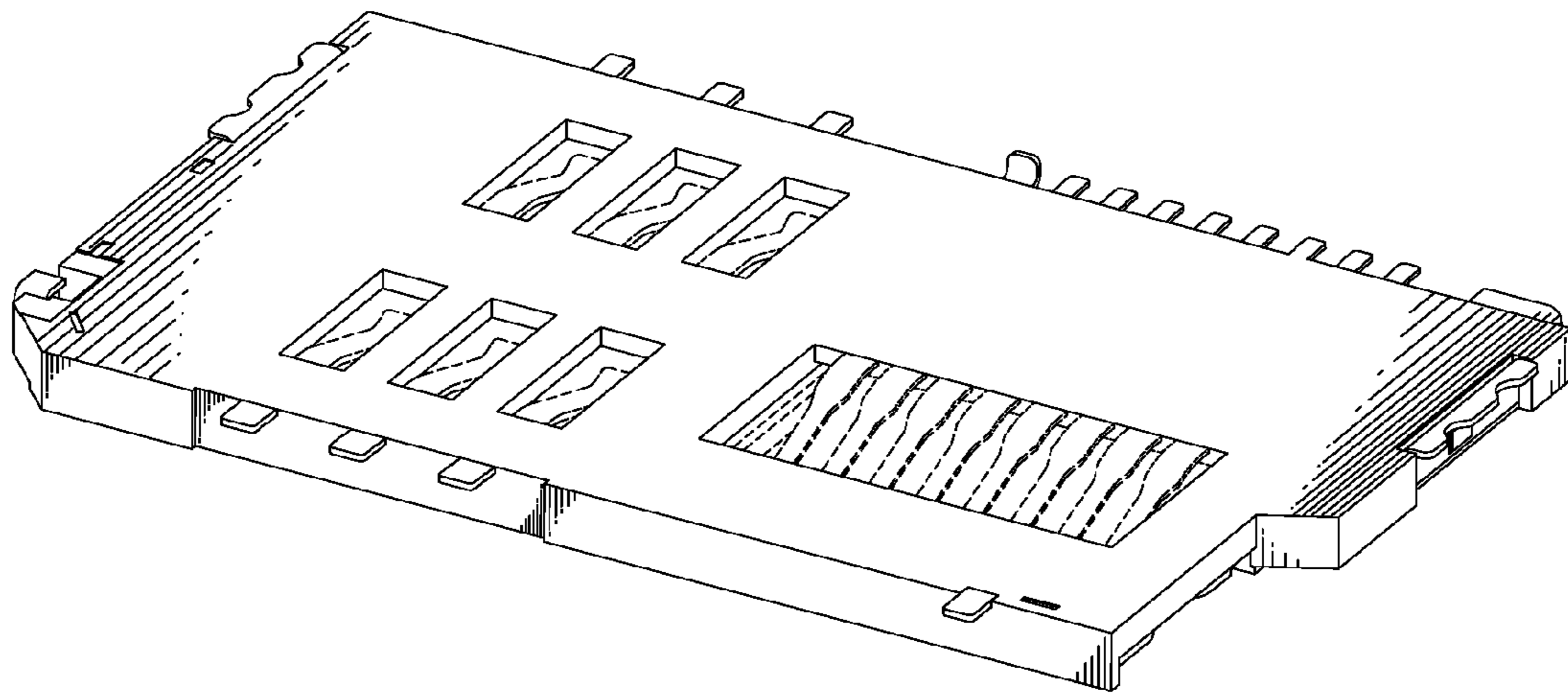


FIG. 8