



US00D665354S

(12) **United States Design Patent**
Chen et al.

(10) **Patent No.:** **US D665,354 S**

(45) **Date of Patent:** **** Aug. 14, 2012**

(54) **ELECTRICAL PLUG**

(75) Inventors: **Yi-Chen Chen**, Taipei (TW);
Chih-Yung Chou, New Taipei (TW);
Ching-Feng Hsieh, Taipei (TW)

(73) Assignees: **Askey Technology (Jiangsu) Ltd.** (CN);
Askey Computer Corp. (TW)

(**) Term: **14 Years**

(21) Appl. No.: **29/407,795**

(22) Filed: **Dec. 2, 2011**

(30) **Foreign Application Priority Data**

Nov. 25, 2011 (TW) 100306436

(51) **LOC (9) Cl.** **13-03**

(52) **U.S. Cl.** **D13/138.1**

(58) **Field of Classification Search** D13/137.1,
D13/137.2, 137.3, 137.4, 138.1, 138.2, 139.1,
D13/139.2, 139.3, 139.4, 139.5, 139.6, 139.7,
D13/139.8, 101, 110, 123, 107, 108, 133,
D13/154, 184, 199; 439/131, 166, 628, 101,
439/102, 105, 106, 108, 172, 173, 174, 175,
439/177, 476.1, 578, 583, 620.15, 620.17;
363/15, 146, 34; 307/151; 320/111, 114;
174/493, 494, 66, 67

See application file for complete search history.

(56) **References Cited**

U.S. PATENT DOCUMENTS

4,191,985	A *	3/1980	Phillips, Jr.	361/56
D314,368	S *	2/1991	Schwartz	D13/137.3
6,042,400	A *	3/2000	Queffelec et al.	439/131
6,275,002	B1 *	8/2001	Chen	320/111
D515,031	S *	2/2006	Woolley et al.	D13/137.2
D556,138	S *	11/2007	Ng et al.	D13/138.1
D575,775	S *	8/2008	Sekine	D14/242
D582,346	S *	12/2008	Zhou	D13/137.2
D609,642	S *	2/2010	Gandolfi et al.	D13/137.2
D621,782	S *	8/2010	Chang et al.	D13/138.1
7,787,238	B2 *	8/2010	Liao et al.	361/679.01
8,162,682	B1 *	4/2012	Wu et al.	439/131
2009/0117765	A1 *	5/2009	Wen et al.	439/166

* cited by examiner

Primary Examiner — Angela J Lee

(74) *Attorney, Agent, or Firm* — Schmeiser, Olsen & Watts, LLP

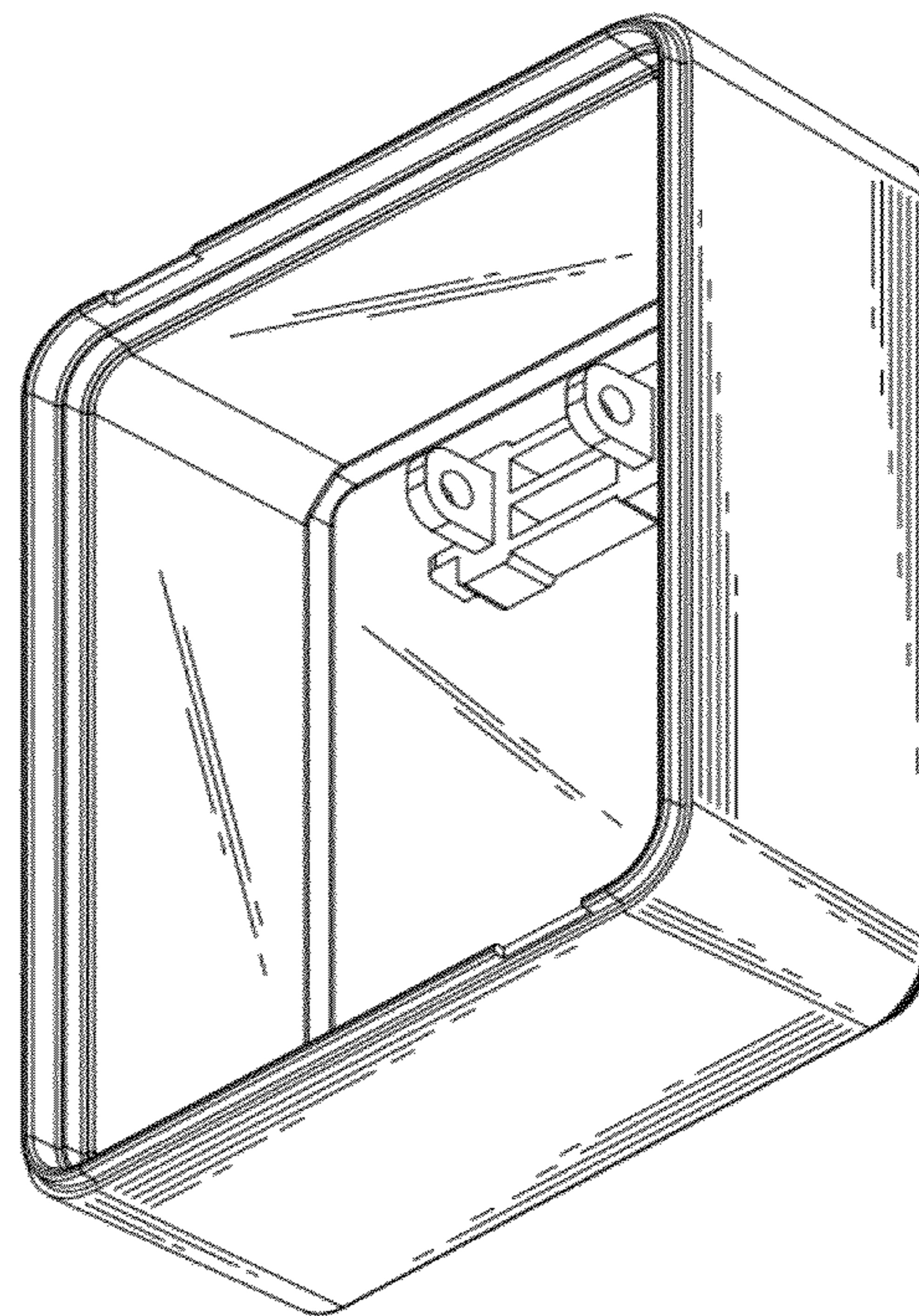
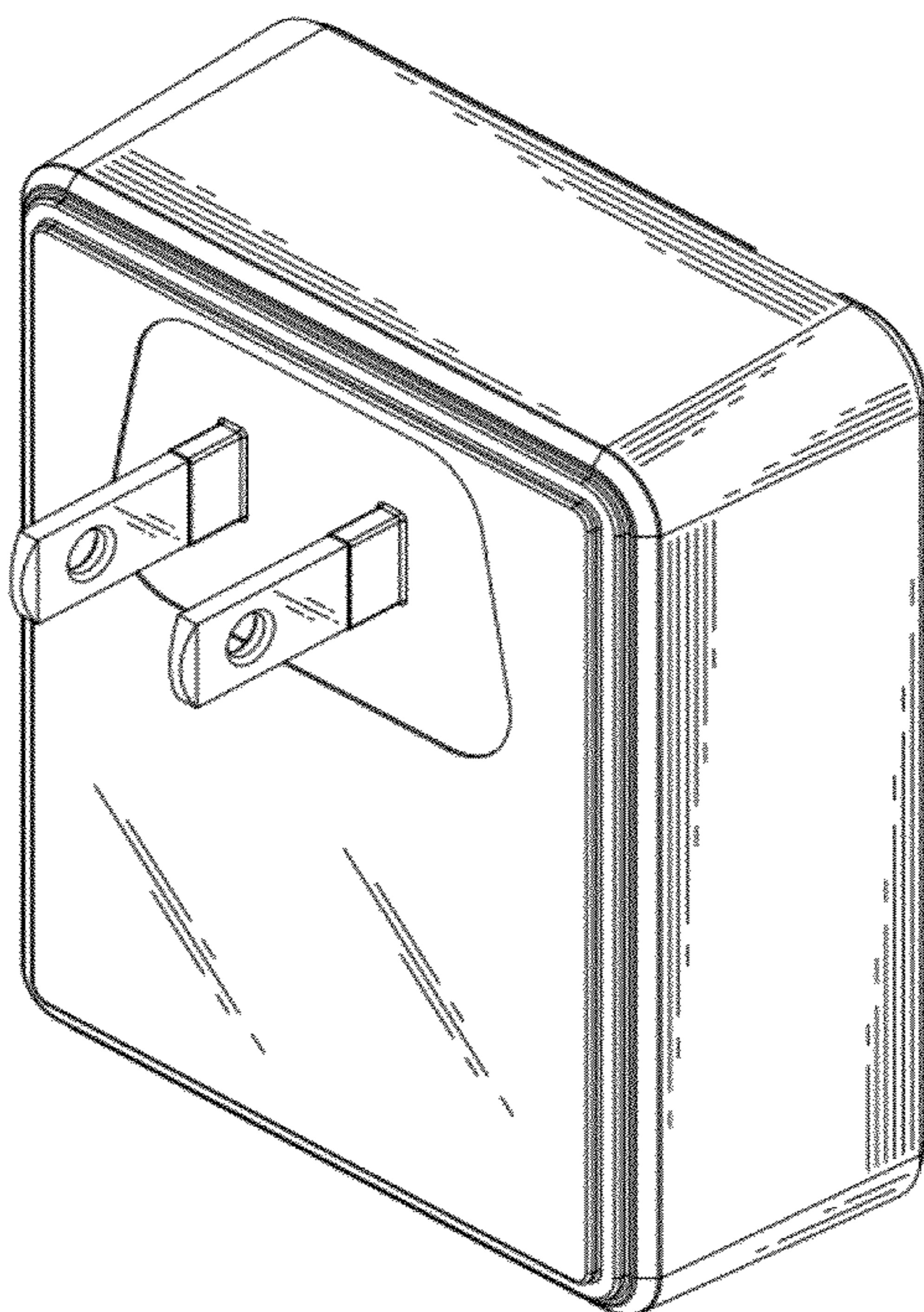
(57) **CLAIM**

The ornamental design for an electrical plug, as shown and described.

DESCRIPTION

FIG. 1 is a perspective view of an electrical plug showing my new design;
FIG. 2 is a front elevational view thereof;
FIG. 3 is a rear elevational view thereof;
FIG. 4 is a left side elevational view thereof;
FIG. 5 is a right side elevational view thereof;
FIG. 6 is a top plan view thereof;
FIG. 7 is a bottom plan view thereof; and,
FIG. 8 is another perspective view of the electrical plug.

1 Claim, 7 Drawing Sheets



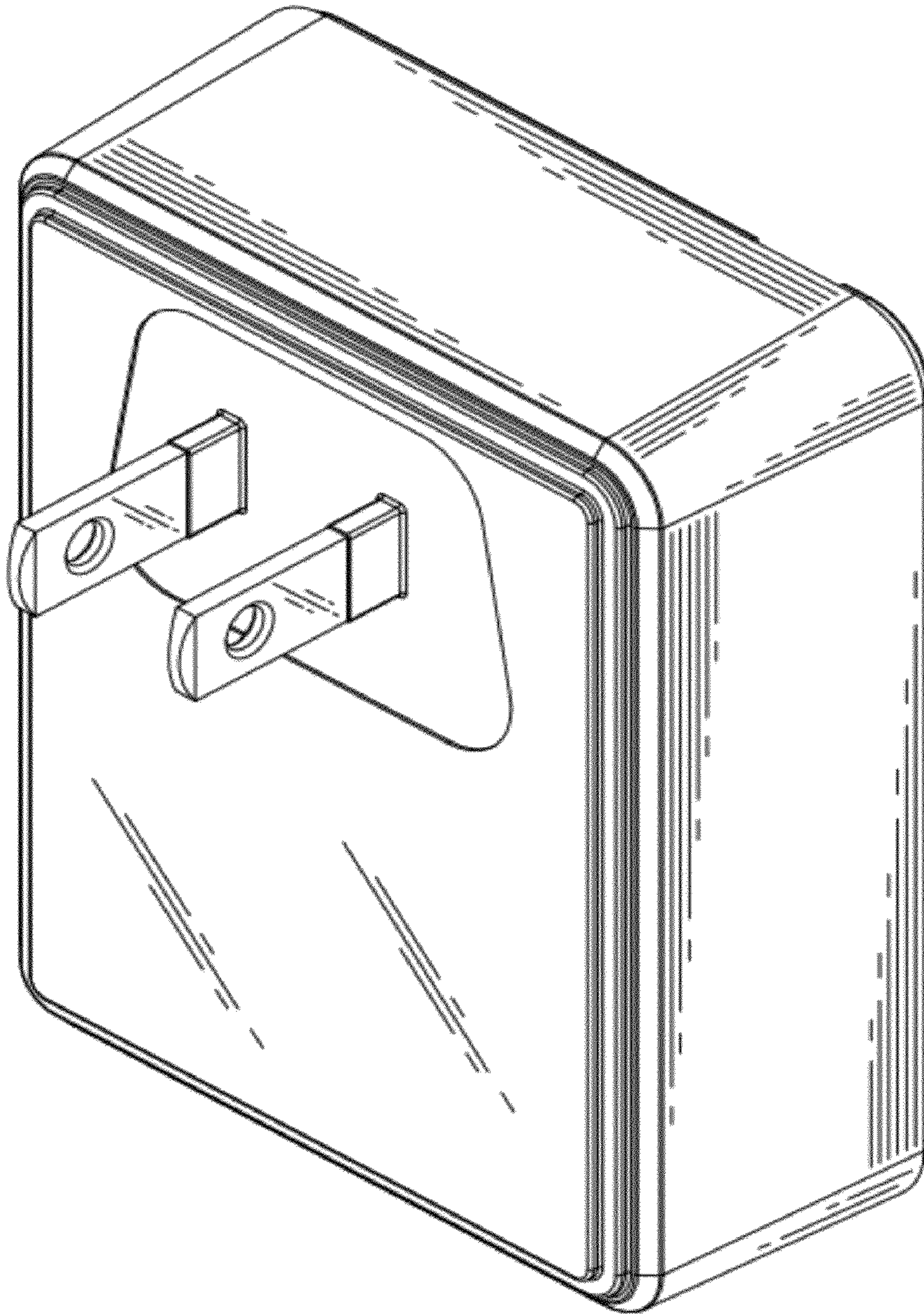


FIG. 1

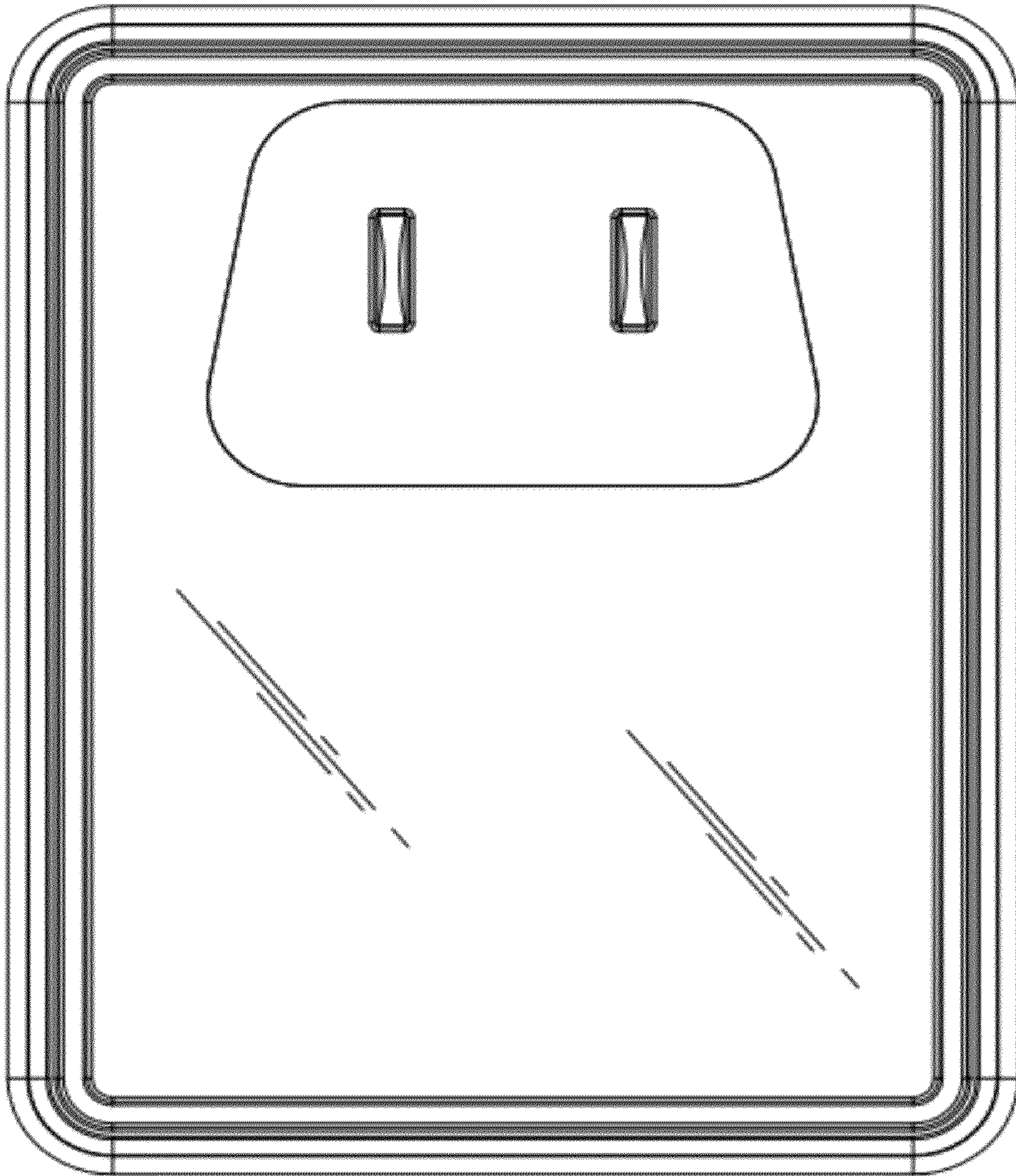


FIG. 2

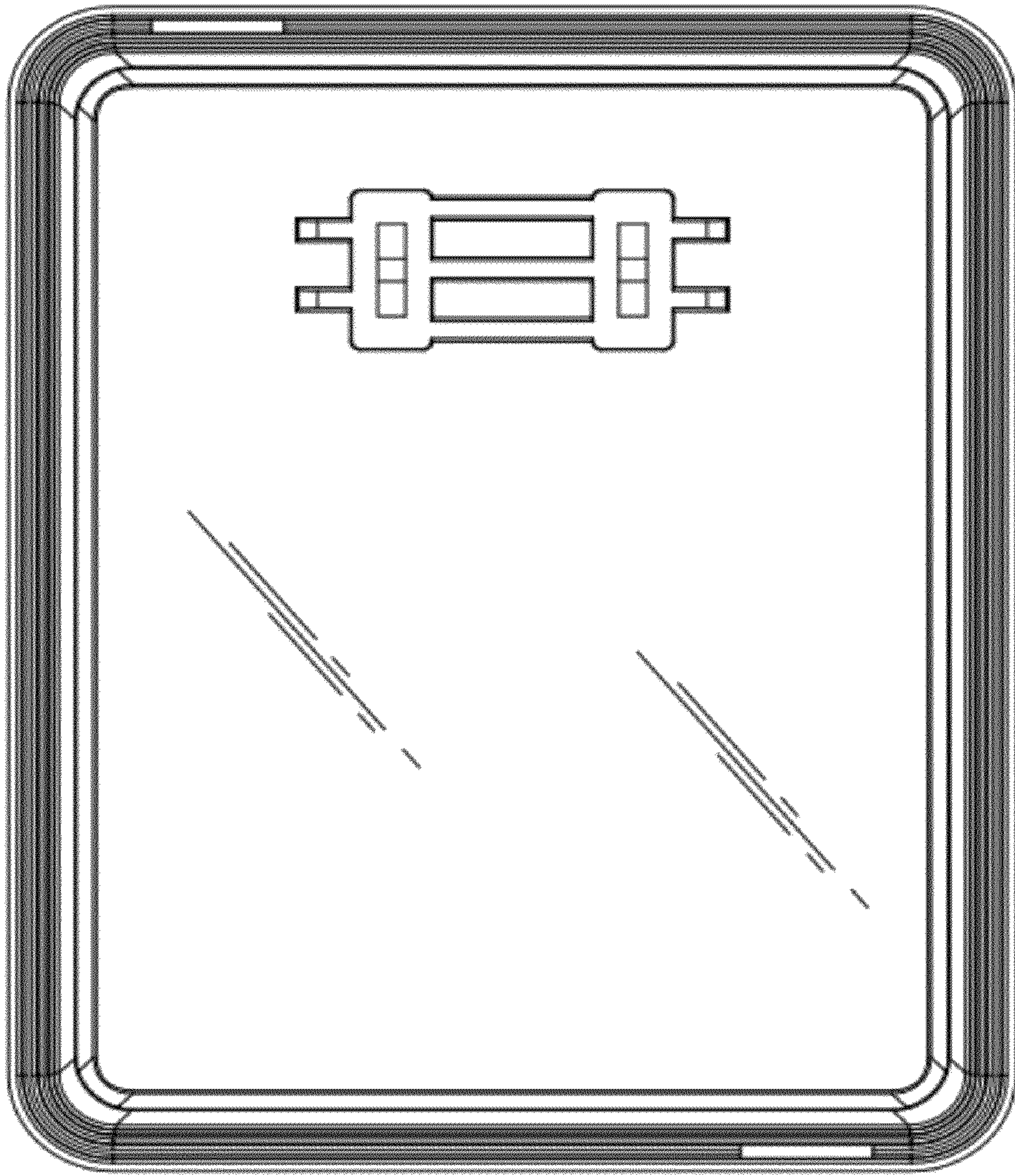


FIG. 3

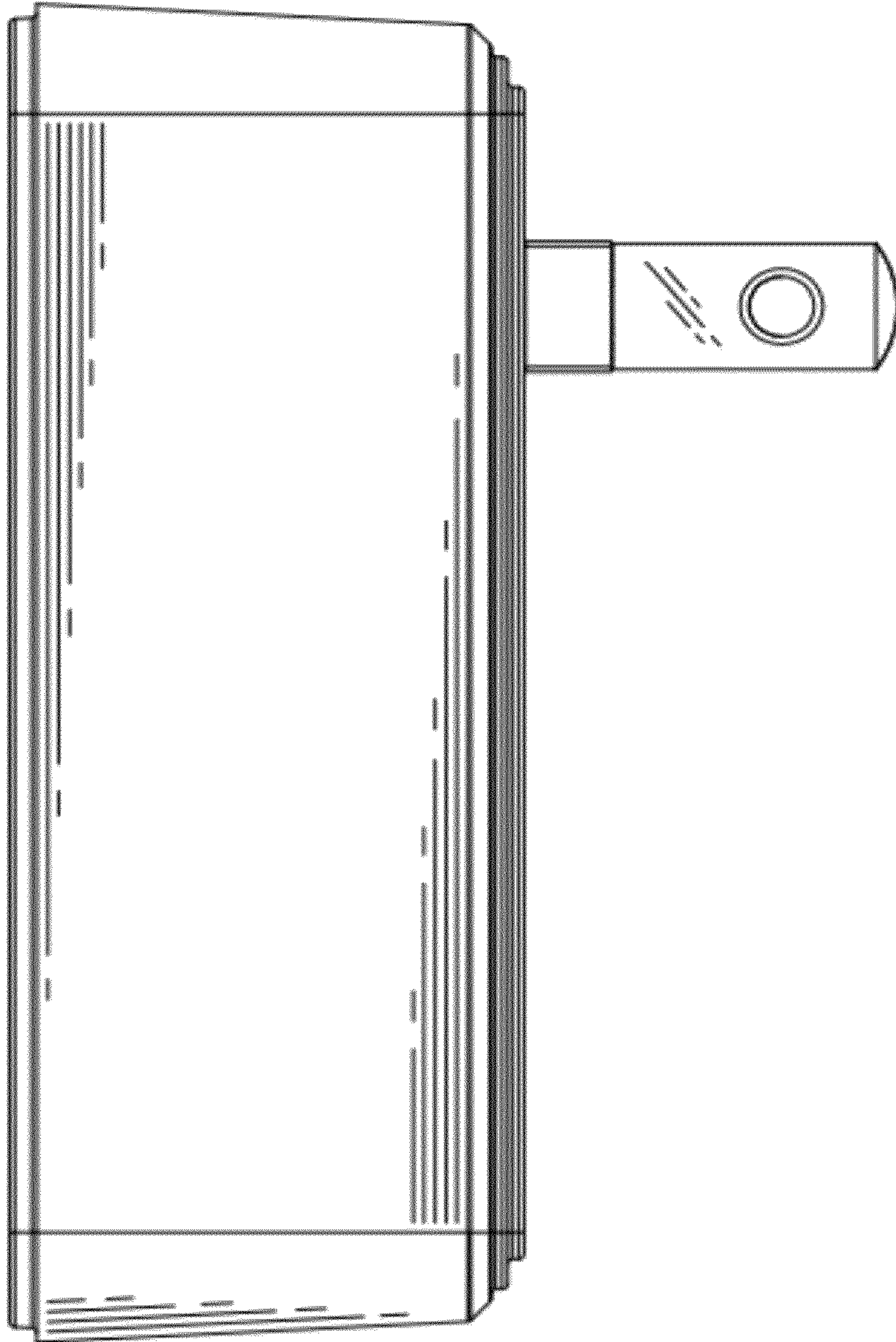


FIG. 4

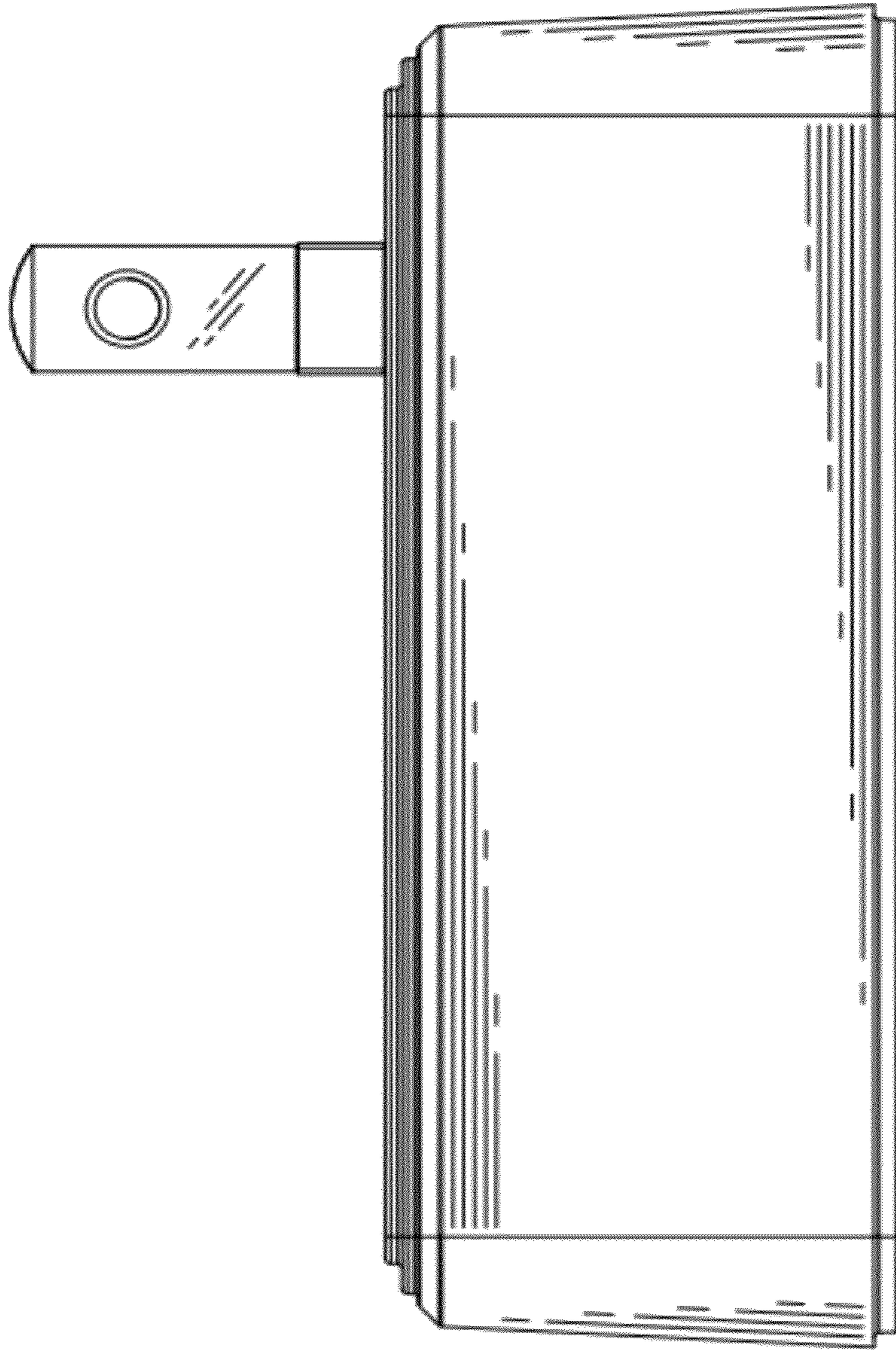


FIG. 5

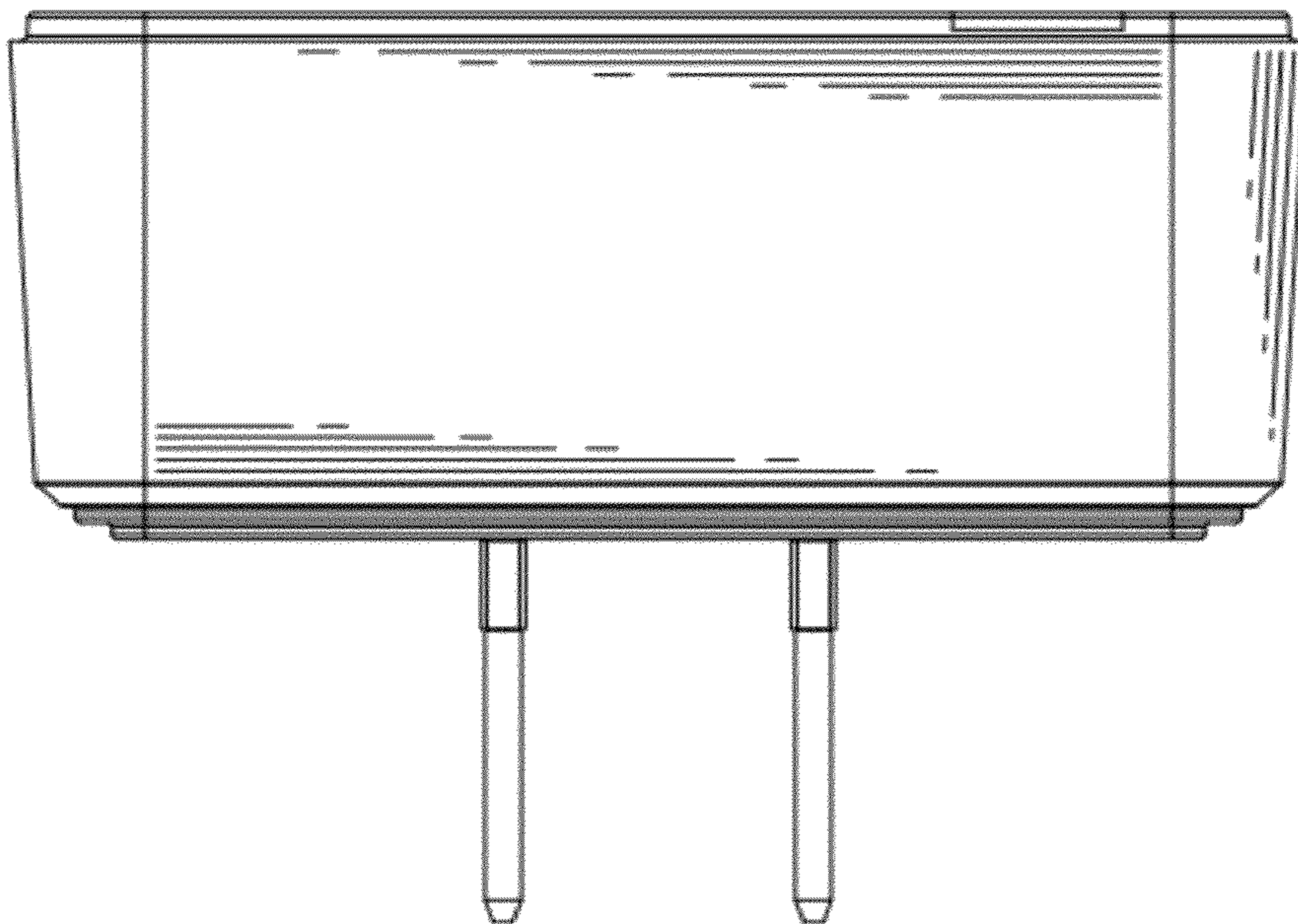


FIG. 6

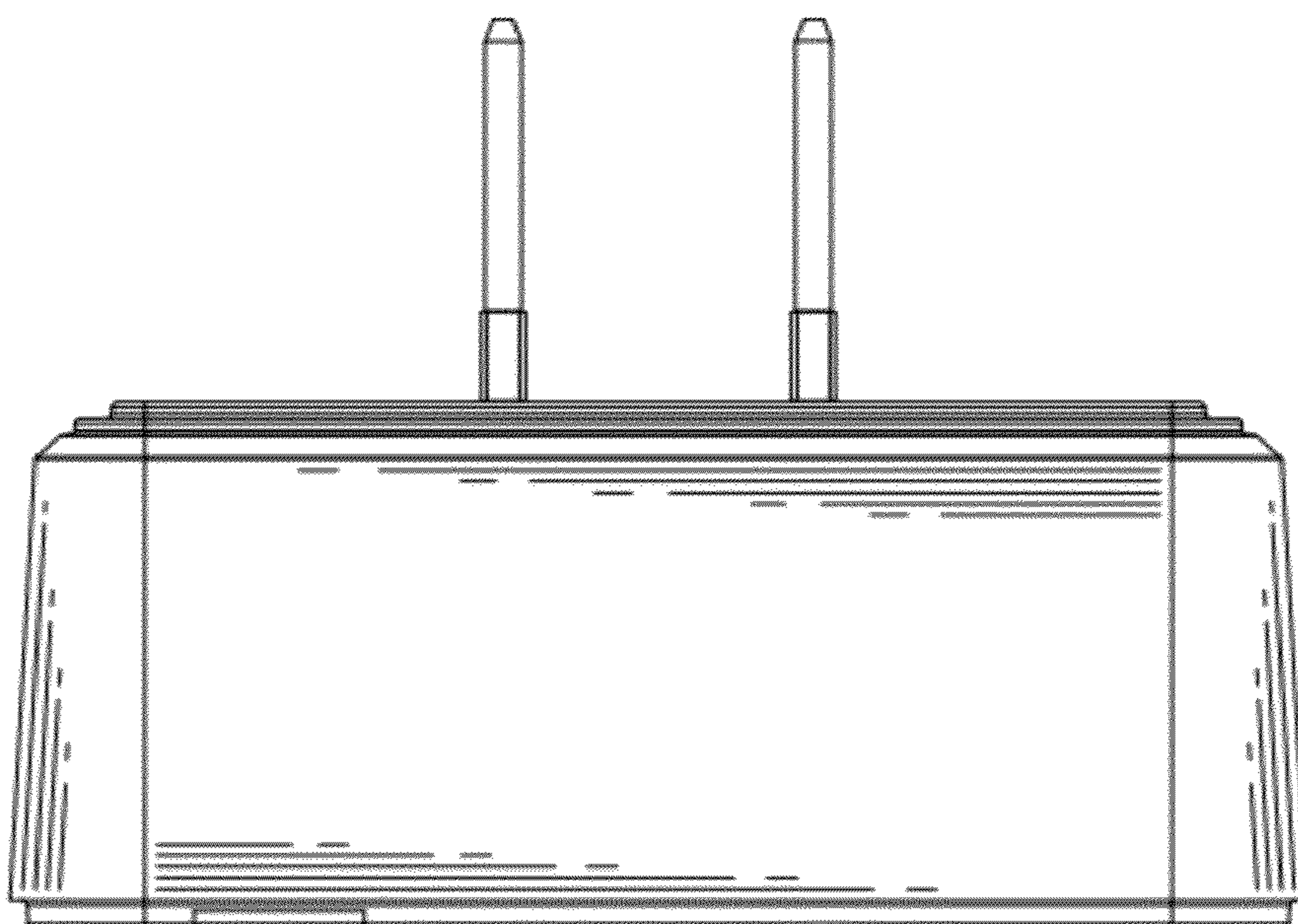


FIG. 7

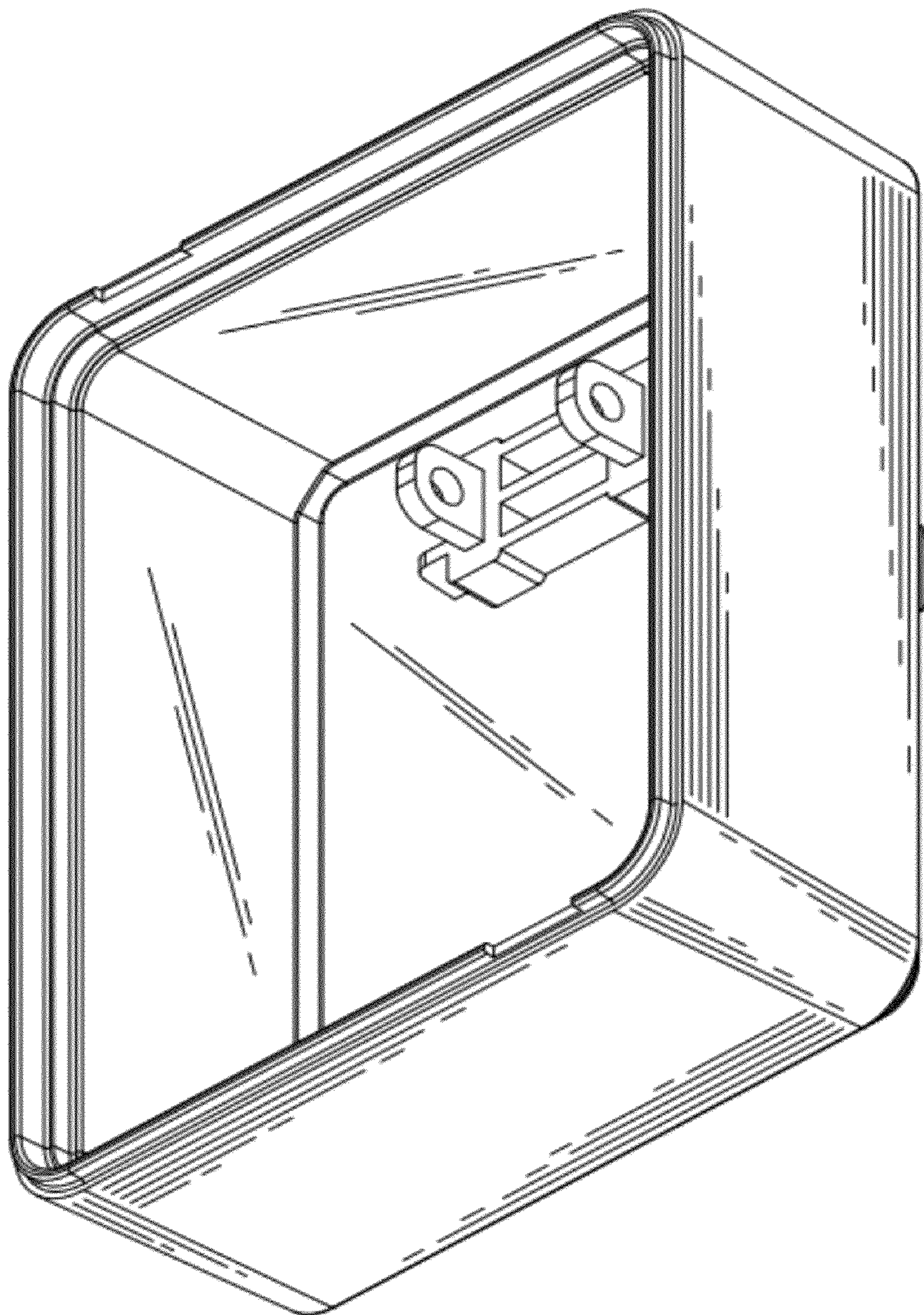


FIG. 8