



US00D665353S

(12) **United States Design Patent**
Balaban

(10) **Patent No.:** **US D665,353 S**

(45) **Date of Patent:** **** Aug. 14, 2012**

(54) **BATTERY ISOLATOR DEVICE**

(75) Inventor: **George D. Balaban**, Chicago, IL (US)

(73) Assignee: **C.E. Niehoff & Co.**, Evanston, IL (US)

(**) Term: **14 Years**

(21) Appl. No.: **29/408,301**

(22) Filed: **Dec. 9, 2011**

(51) **LOC (9) Cl.** **13-02**

(52) **U.S. Cl.** **D13/119; D13/110**

(58) **Field of Classification Search** D13/101-106,
D13/110, 118-121, 158-160, 184; 429/96-100,
429/163, 176; 307/9.1, 10.6, 10.7, 85, 115,
307/126; 322/25, 28, 37; 335/106, 107;
361/20, 21

See application file for complete search history.

(56) **References Cited**

U.S. PATENT DOCUMENTS

D179,946 S *	3/1957	Kerr	D13/110
D180,448 S *	6/1957	Kerr	D13/110
D185,222 S *	5/1959	Mendel et al.	D13/110
D211,029 S *	5/1968	Ettinger et al.	D13/118
D301,331 S	5/1989	Rhodin		
D331,041 S	11/1992	Fountain		
D397,091 S	8/1998	Wirth		
D399,492 S	10/1998	Wirth		

D402,633 S	12/1998	Wirth		
D427,147 S *	6/2000	Wei	D13/110
D428,850 S *	8/2000	Gerlock et al.	D13/110
D478,547 S *	8/2003	Milby	D13/110
D489,682 S *	5/2004	Guillarme	D13/110
D592,152 S	5/2009	Lin		
D610,986 S *	3/2010	Chen et al.	D13/110
D620,432 S *	7/2010	Chen et al.	D13/110
D624,494 S *	9/2010	Patterson	D13/110

* cited by examiner

Primary Examiner — Rosemary K Tarcza

(74) *Attorney, Agent, or Firm* — Law Offices of Michael M. Ahmadshahi

(57) **CLAIM**

The ornamental design for a battery isolator device, as shown and described.

DESCRIPTION

FIG. 1 is a front view of a battery isolator device according to the present invention.

FIG. 2 is a rear view thereof.

FIG. 3 is a first side view thereof.

FIG. 4 is a second side view thereof.

FIG. 5 is a top view thereof.

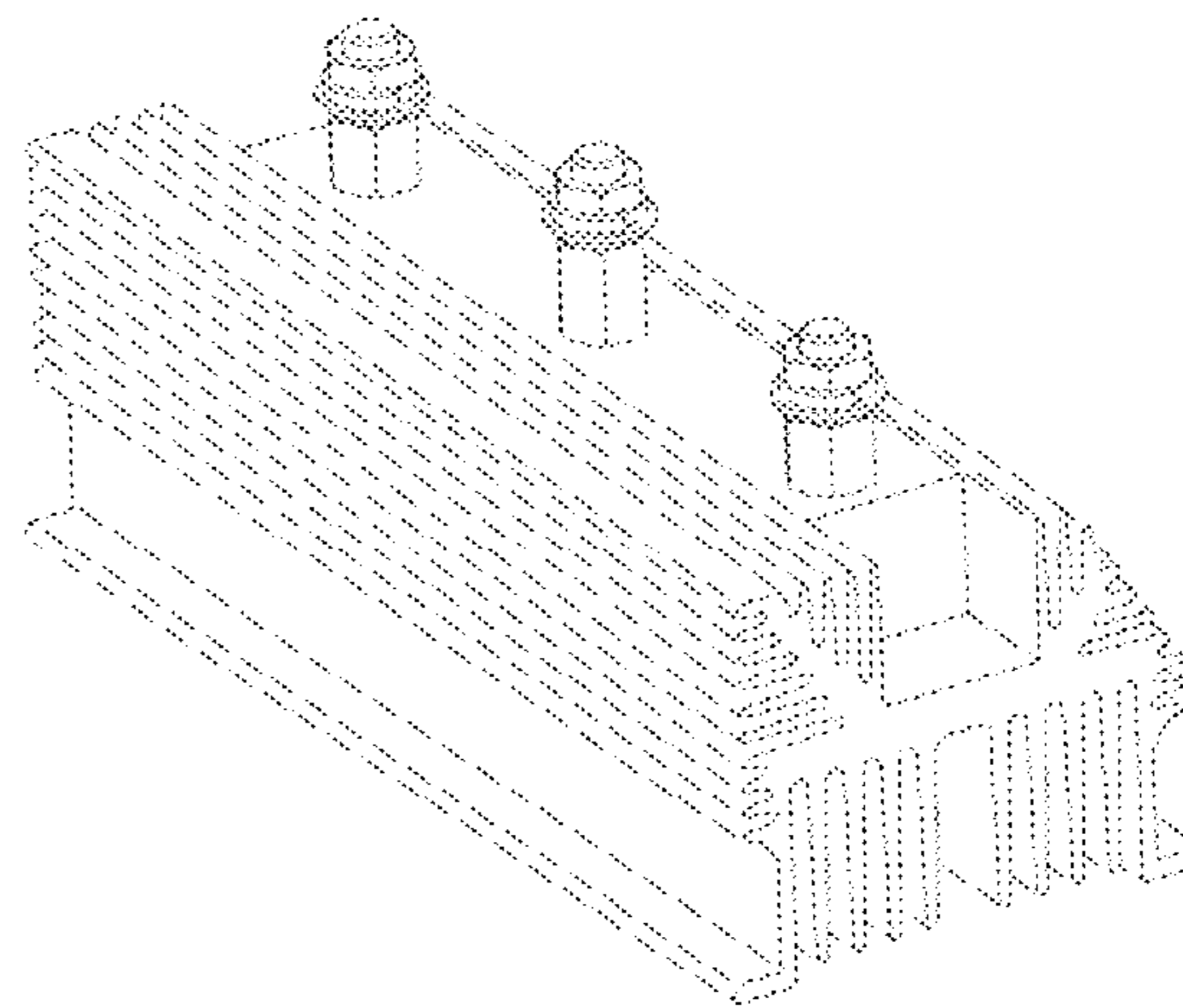
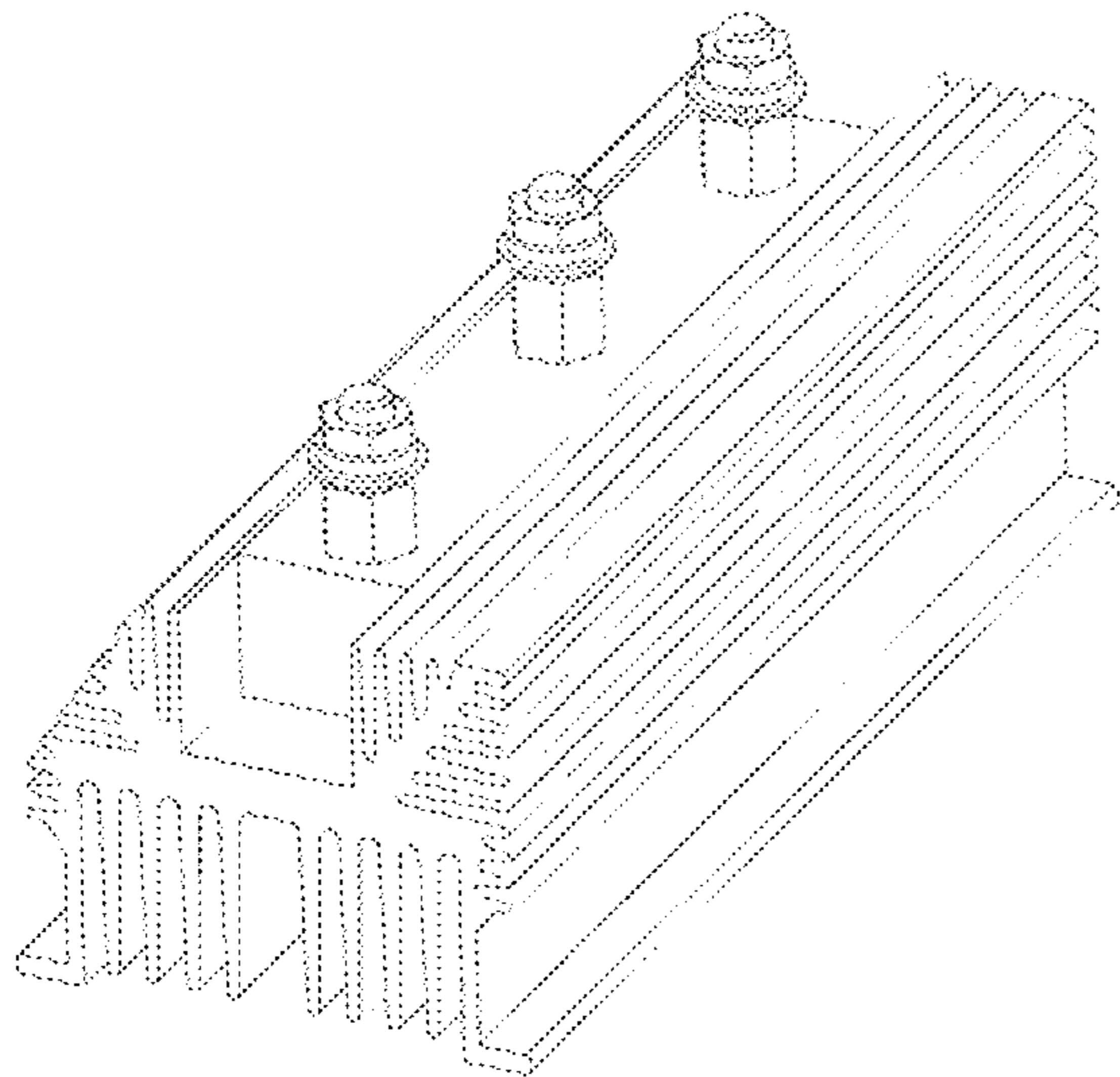
FIG. 6 is a bottom view thereof.

FIG. 7 is a first isometric view thereof; and,

FIG. 8 is a second isometric view thereof.

The ornamental design which is claimed is shown in solid lines in the drawings.

1 Claim, 8 Drawing Sheets



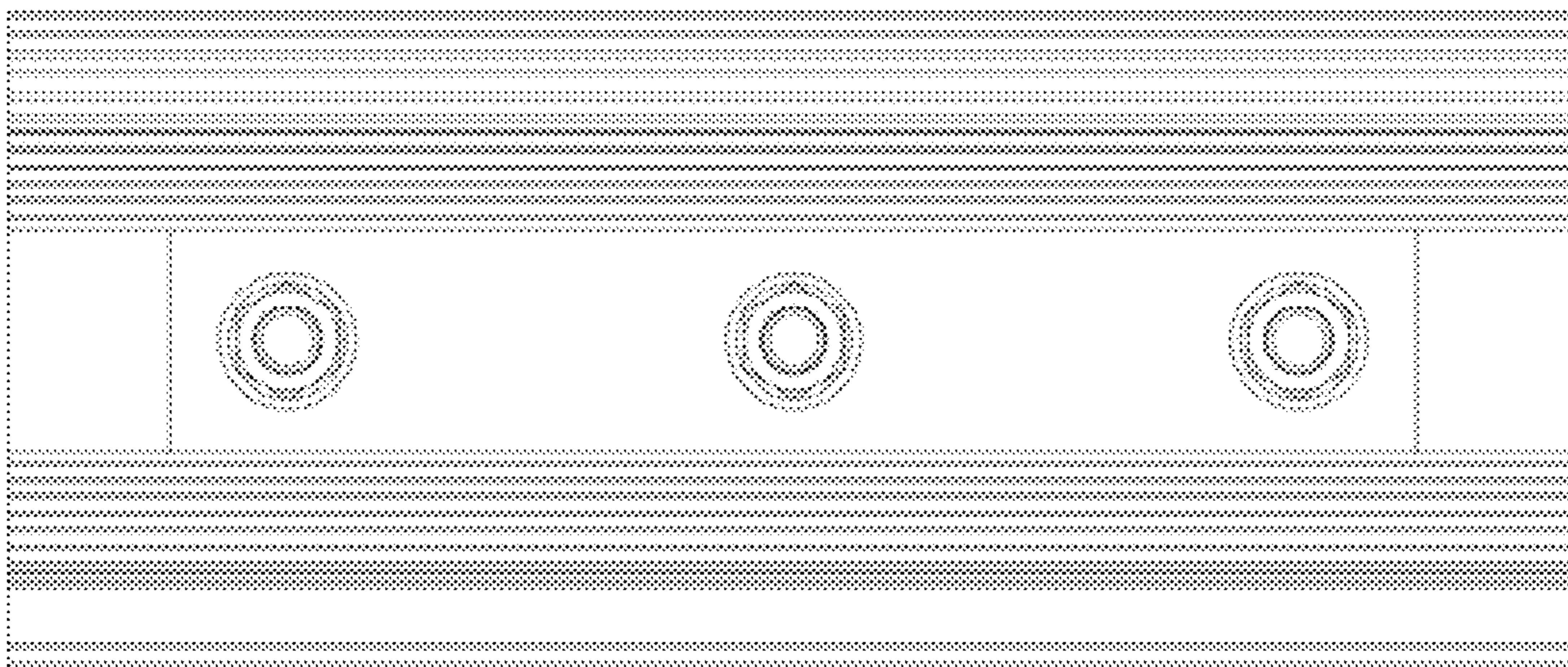


FIG. 1

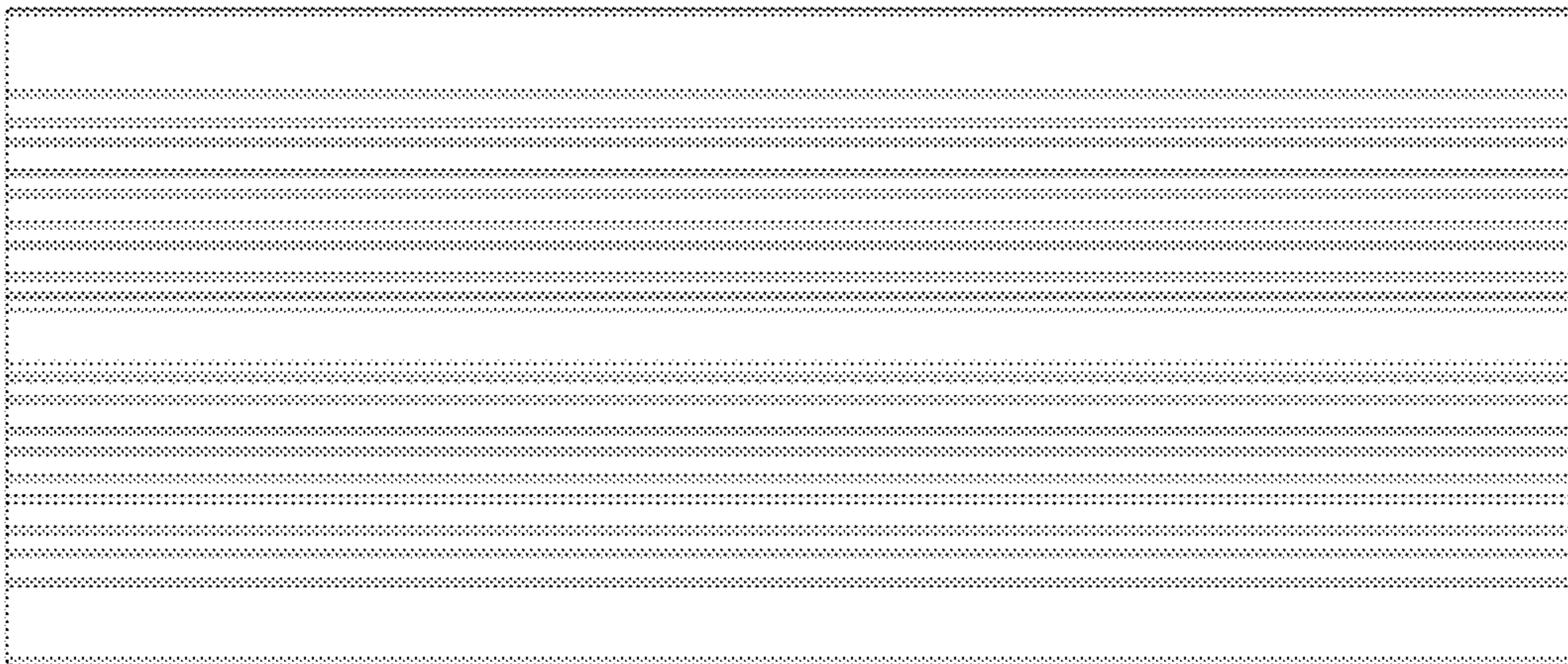


FIG. 2

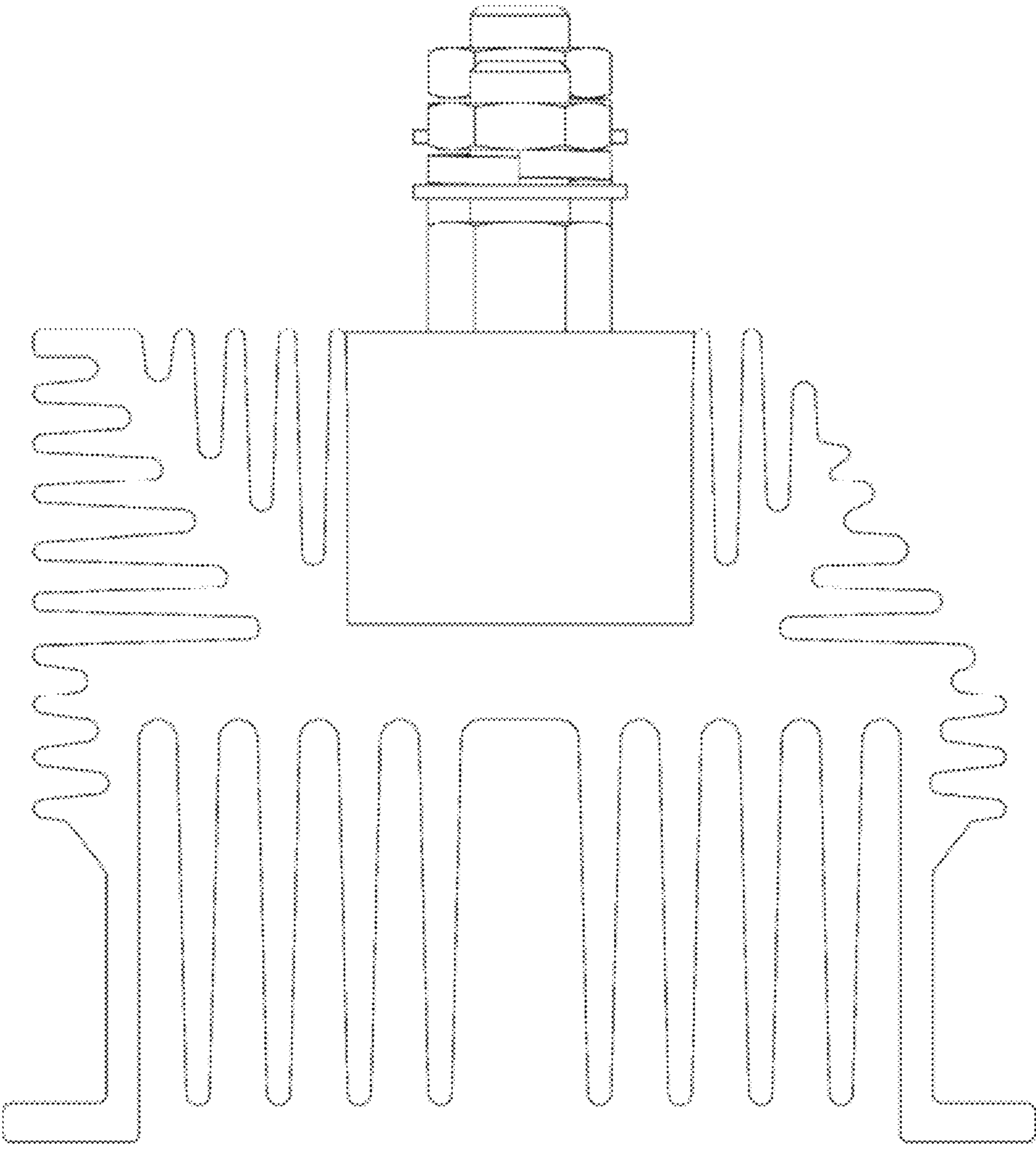


FIG. 3

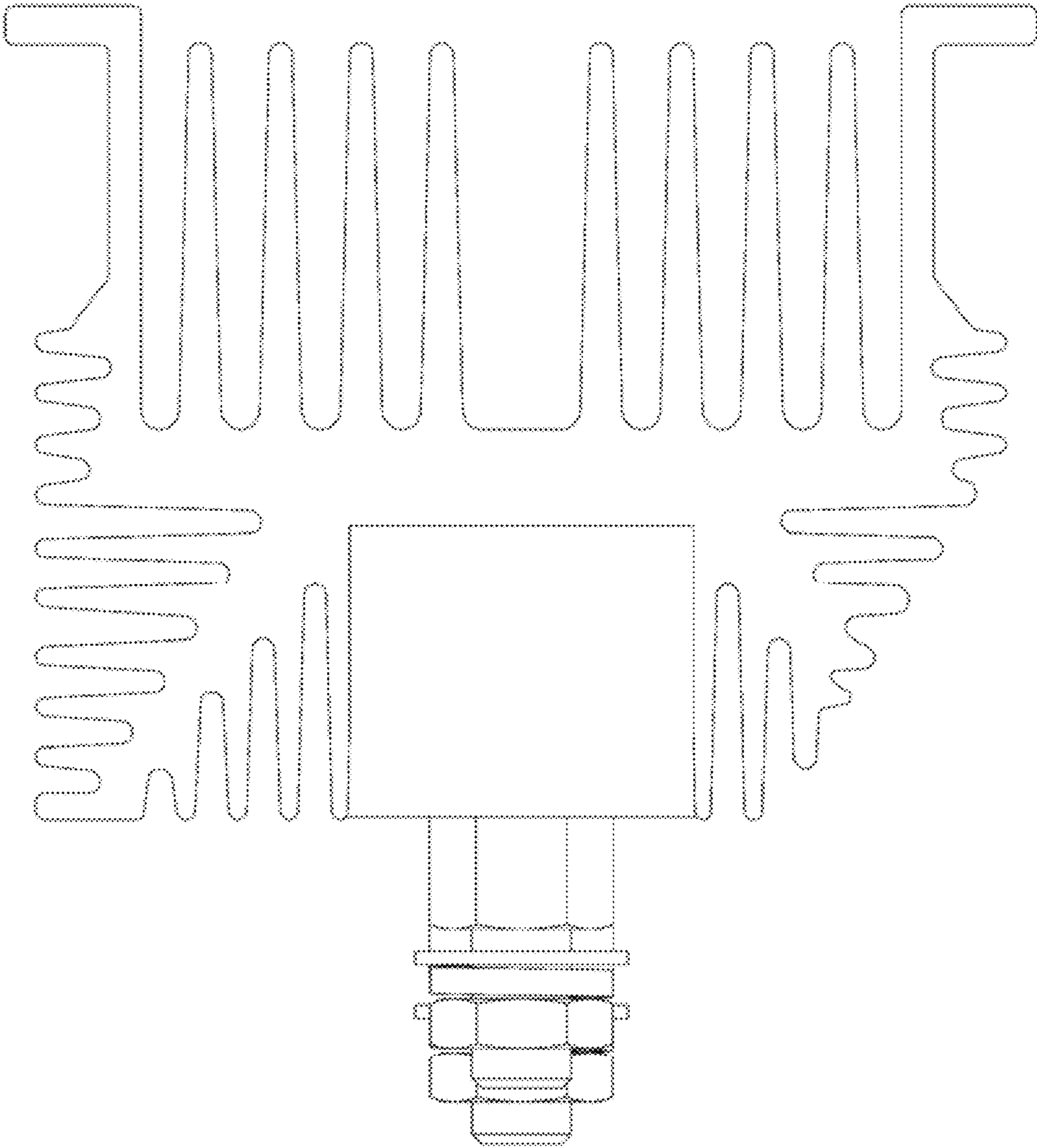


FIG. 4

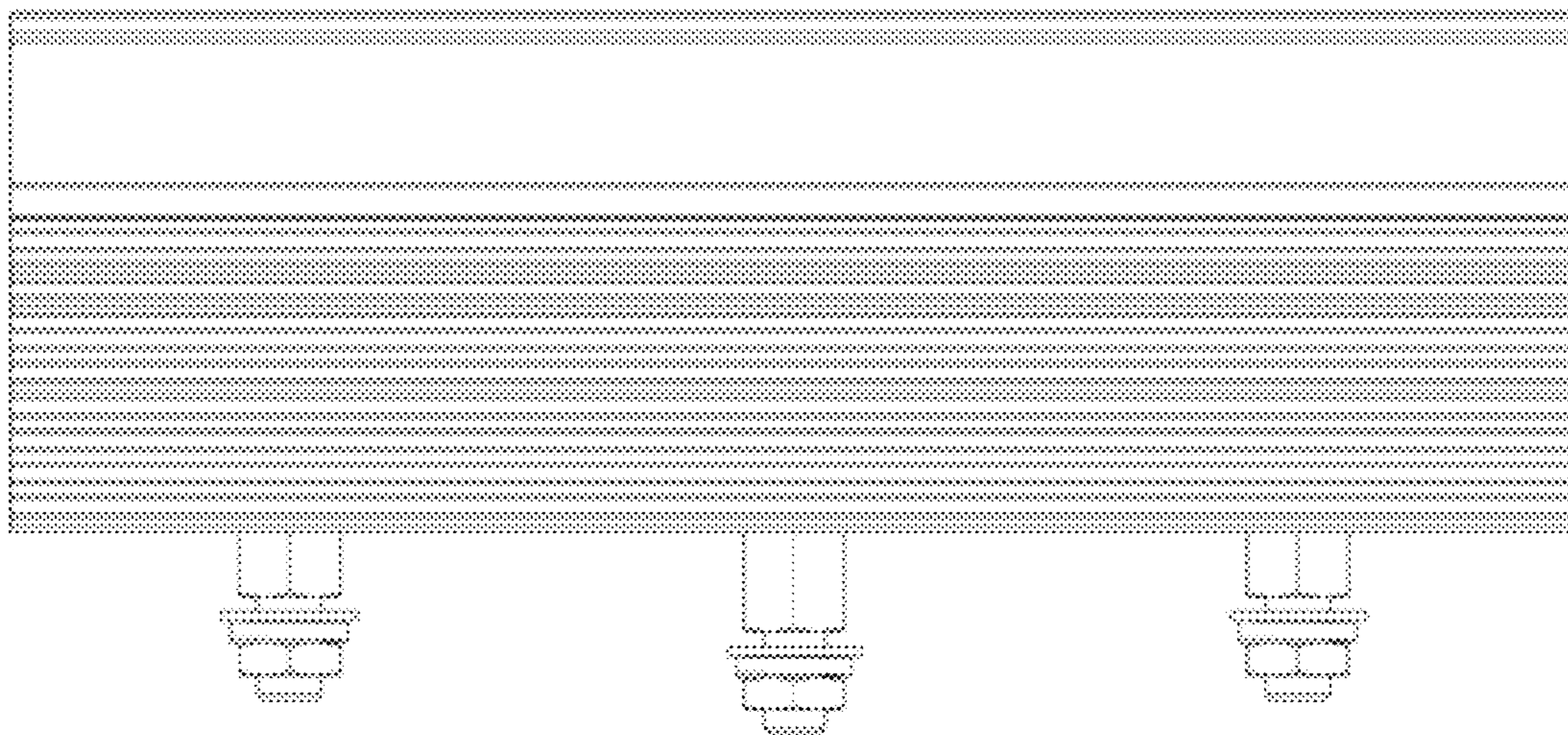


FIG. 5

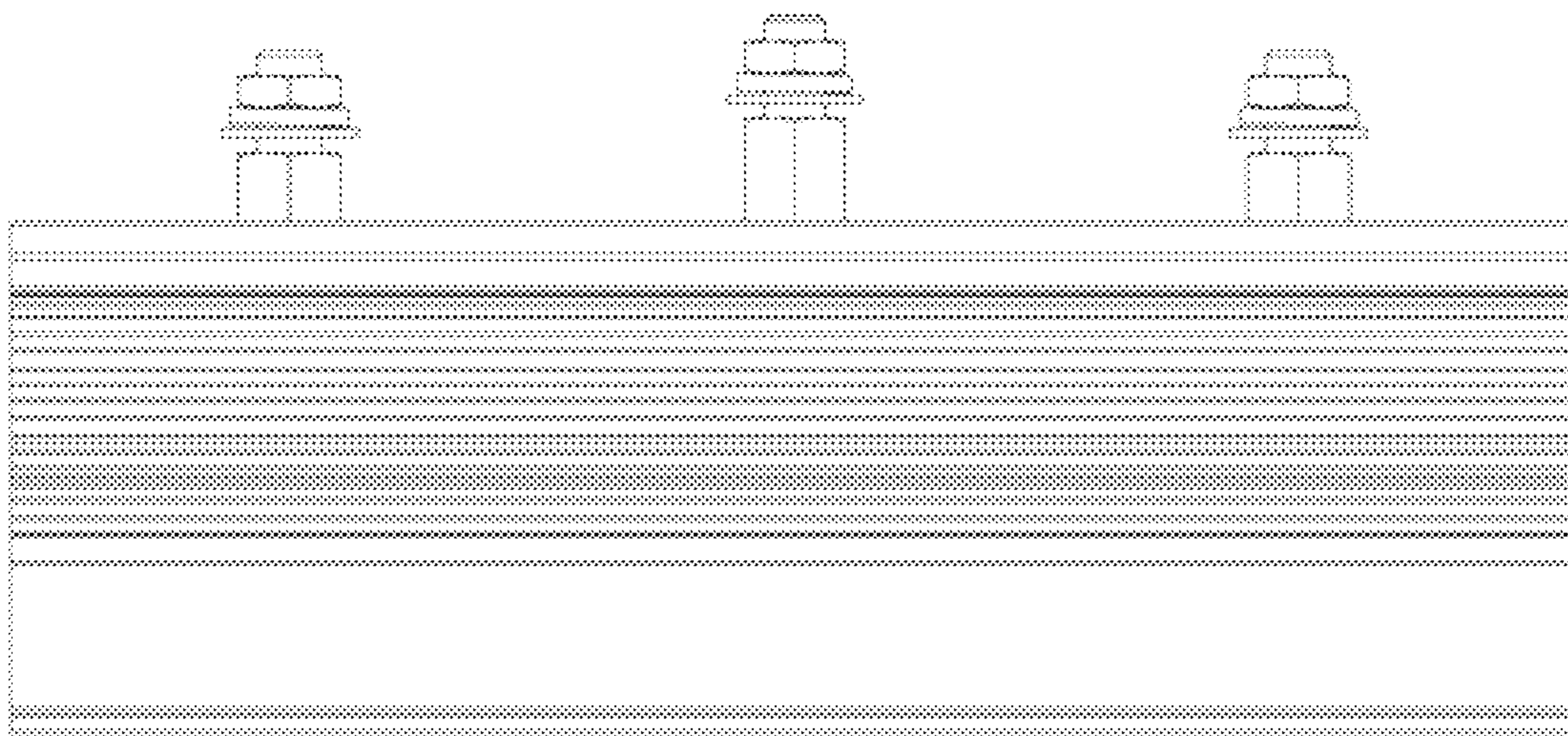


FIG. 6

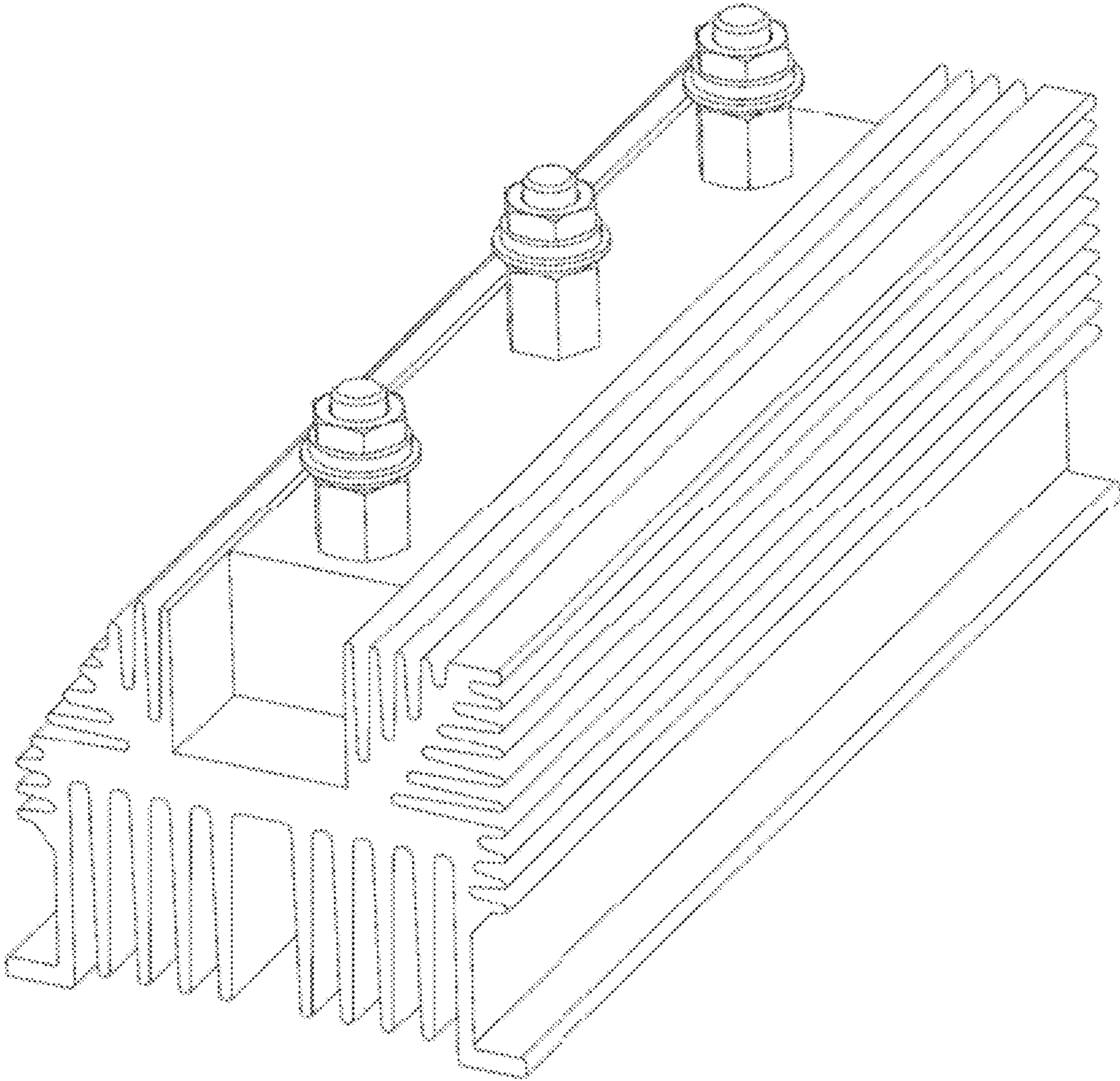


FIG. 7

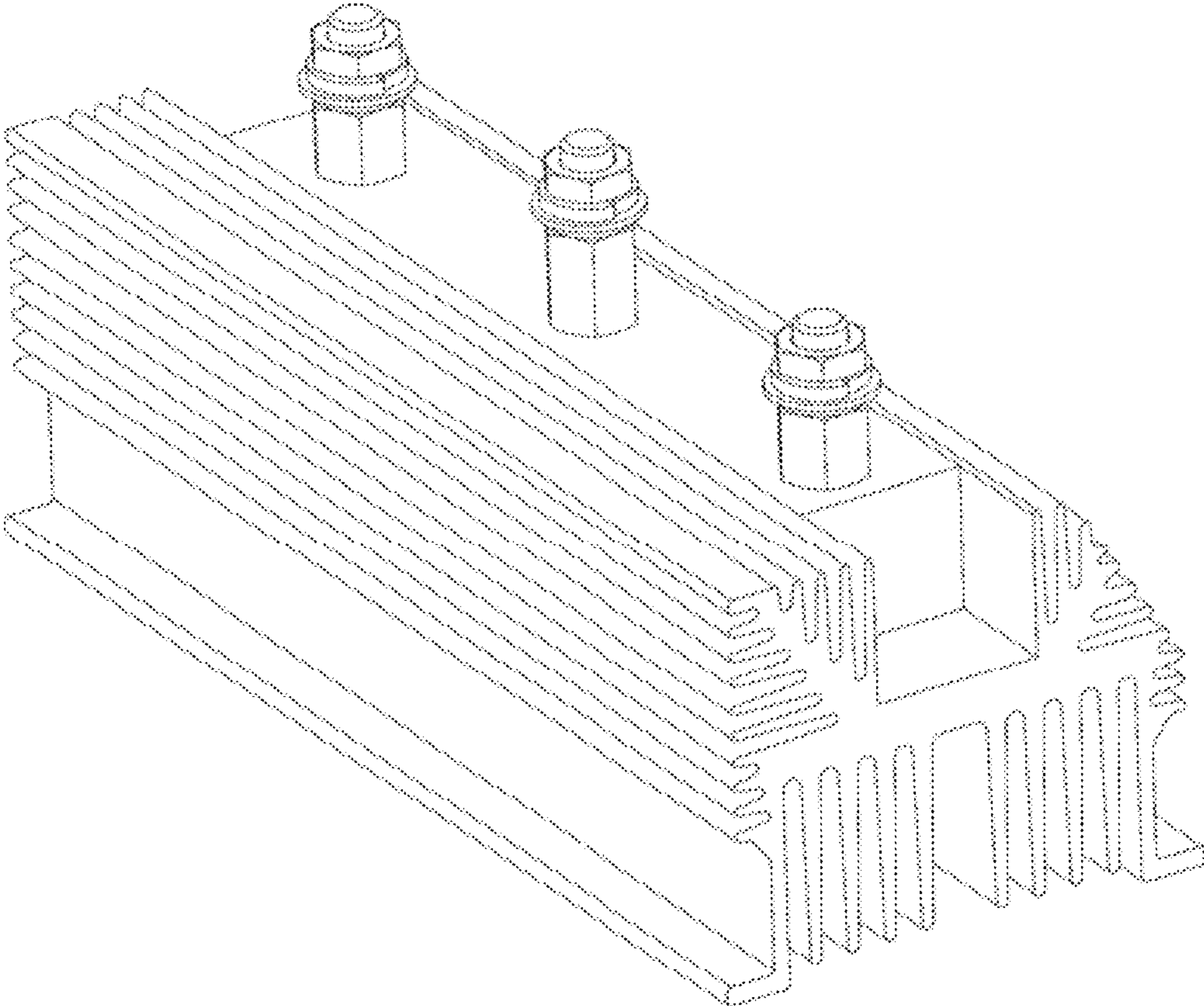


FIG. 8