

US00D665352S

(12) **United States Design Patent**
La Pegna et al.

(10) **Patent No.:** **US D665,352 S**

(45) **Date of Patent:** **** Aug. 14, 2012**

(54) **WIND TURBINE GENERATOR PART**

(56) **References Cited**

(75) Inventors: **Luigi La Pegna**, Rome (IT); **Renzo Piano**, Genoa (IT)

(73) Assignee: **Enel Green Power S.p.A.**, Rome (IT)

(**) Term: **14 Years**

(21) Appl. No.: **29/404,455**

(22) Filed: **Oct. 20, 2011**

(30) **Foreign Application Priority Data**

Sep. 30, 2011 (EM) 001925280

(51) **LOC (9) Cl.** **13-01**

(52) **U.S. Cl.** **D13/115**

(58) **Field of Classification Search** D13/115,
D13/118, 122, 199; D12/344, 345; D15/1,
D15/199; D23/411, 413; 290/44, 52, 54,
290/55; 415/2.1, 4.2, 4.5, 7, 907, 916; 416/7,
416/16, 23, 24, 31, 37, 38, 132 B, 132 R,
416/141, 142, 176, 177, 196 A, 243

See application file for complete search history.

U.S. PATENT DOCUMENTS

5,746,576 A *	5/1998	Bayly	416/16
D439,324 S *	3/2001	Wood	D23/413
6,270,308 B1 *	8/2001	Groppel	415/4.3
6,428,281 B1 *	8/2002	Botrel et al.	416/243
D480,360 S *	10/2003	Bayly	D13/115
D567,176 S *	4/2008	Borgen	D13/115
D602,861 S *	10/2009	Talab	D13/115

* cited by examiner

Primary Examiner — Derrick Holland

(74) *Attorney, Agent, or Firm* — Steinfl & Bruno, LLP

(57) **CLAIM**

The ornamental design for a wind turbine generator part, as shown and described.

DESCRIPTION

FIG. 1 is a perspective view of a wind turbine generator part showing our new design.

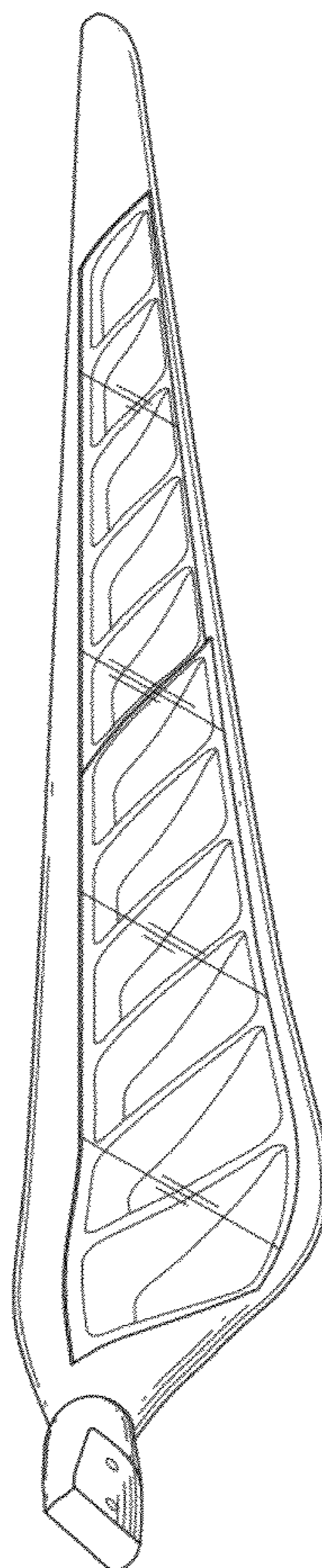
FIG. 2 is a front view thereof.

FIG. 3 is a rear view thereof.

FIG. 4 is a side view thereof; and,

FIG. 5 is another side view thereof, opposite that shown in FIG. 4.

1 Claim, 3 Drawing Sheets



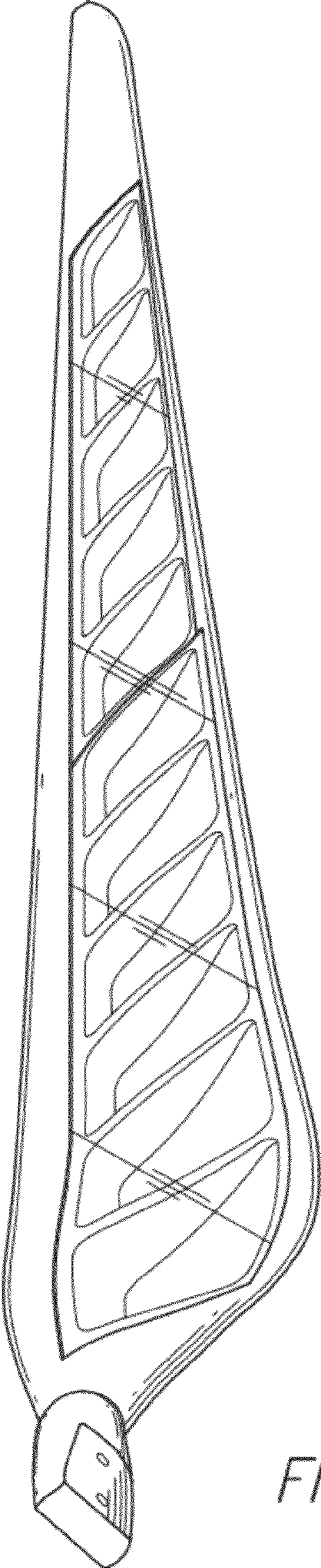


FIG. 1

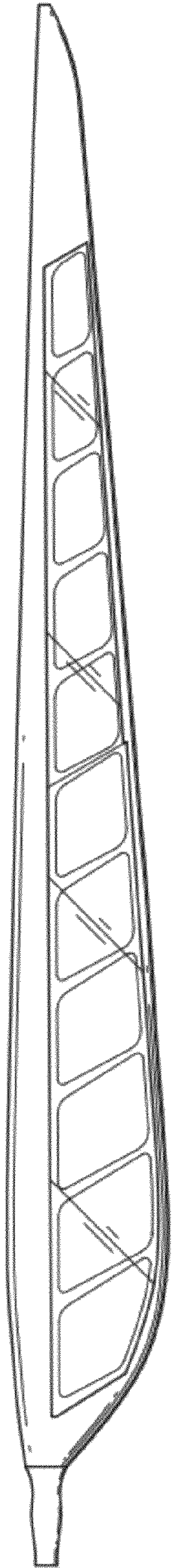


FIG. 2

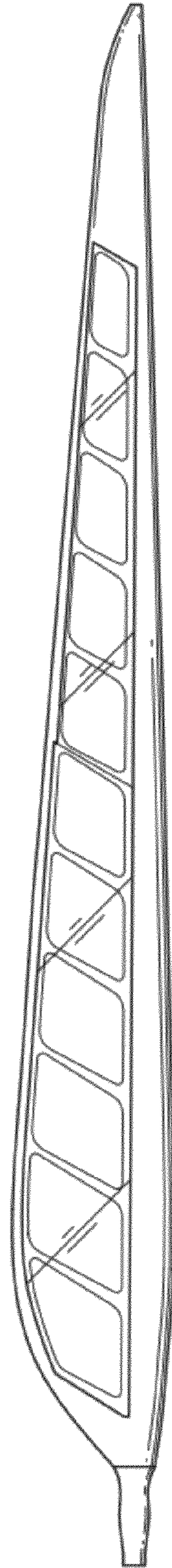


FIG. 3

FIG. 4

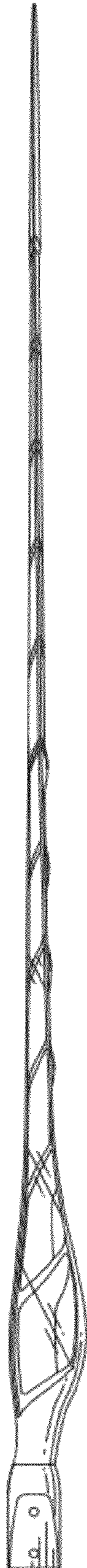


FIG. 5

