

US00D665351S

(12) **United States Design Patent**  
**Presz, Jr. et al.**

(10) **Patent No.:** **US D665,351 S**  
(45) **Date of Patent:** **\*\* Aug. 14, 2012**

(54) **WIND TURBINE**

(75) Inventors: **Walter M. Presz, Jr.**, Wilbraham, MA (US); **Michael J. Werle**, West Hartford, CT (US); **Ercan Dumlupinar**, Palmer, MA (US)

(73) Assignee: **FloDesign Wind Turbine Corporation**, Waltham, MA (US)

(\*\*) Term: **14 Years**

(21) Appl. No.: **29/378,624**

(22) Filed: **Nov. 6, 2010**

**Related U.S. Application Data**

(62) Division of application No. 29/378,411, filed on Nov. 4, 2010.

(51) **LOC (9) Cl.** ..... **12-07**

(52) **U.S. Cl.** ..... **D13/115; D12/345**

(58) **Field of Classification Search** ..... D12/344, D12/345; D13/115, 118, 122, 199, 179; D15/1, 199, 5; D21/458, 455; D23/379, D23/411, 413; 290/44, 54, 55; 60/262; 415/4.2, 415/4.3, 1, 115, 191, 208, 220; D24/110  
See application file for complete search history.

(56) **References Cited**

**U.S. PATENT DOCUMENTS**

D240,810	S	*	8/1976	Meyerhoff et al.	.....	D12/214
4,140,433	A	*	2/1979	Eckel	.....	415/209.1
D303,106	S	*	8/1989	Macaluso	.....	D12/345
5,035,379	A	*	7/1991	Hersen et al.	.....	244/129.4
5,056,738	A	*	10/1991	Mercer et al.	.....	244/54
D507,640	S	*	7/2005	Chiu et al.	.....	D23/379
D507,641	S	*	7/2005	Chiu et al.	.....	D23/379
D508,560	S	*	8/2005	Chiu et al.	.....	D23/379

D533,935	S	*	12/2006	Chen	.....	D23/411
D543,495	S	*	5/2007	Williams	.....	D12/345
D554,150	S	*	10/2007	Fausett et al.	.....	D15/5
D575,749	S	*	8/2008	Hwang et al.	.....	D13/179
D583,461	S	*	12/2008	Allen	.....	D23/413
D588,158	S	*	3/2009	Fausett et al.	.....	D15/5
D628,962	S	*	12/2010	Presz et al.	.....	D13/115
D629,095	S	*	12/2010	Liu et al.	.....	D23/411
D629,356	S	*	12/2010	Presz et al.	.....	D13/115
D635,511	S	*	4/2011	Presz et al.	.....	D13/115
D640,978	S	*	7/2011	Presz et al.	.....	D13/115
D640,979	S	*	7/2011	Presz et al.	.....	D13/115
D640,980	S	*	7/2011	Presz et al.	.....	D13/115

(Continued)

*Primary Examiner* — Austin Murphy

(74) *Attorney, Agent, or Firm* — Fay Sharpe LLP

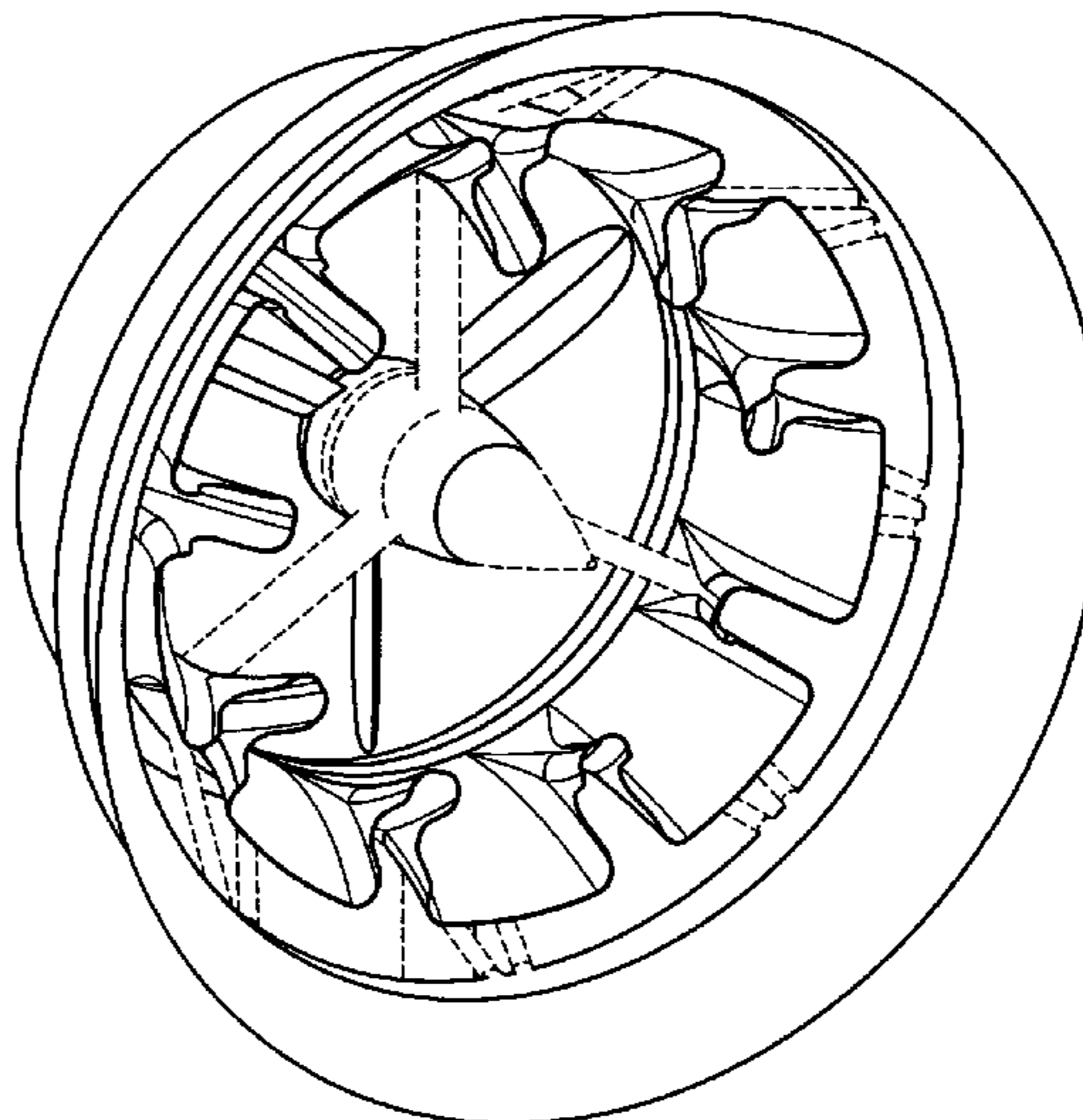
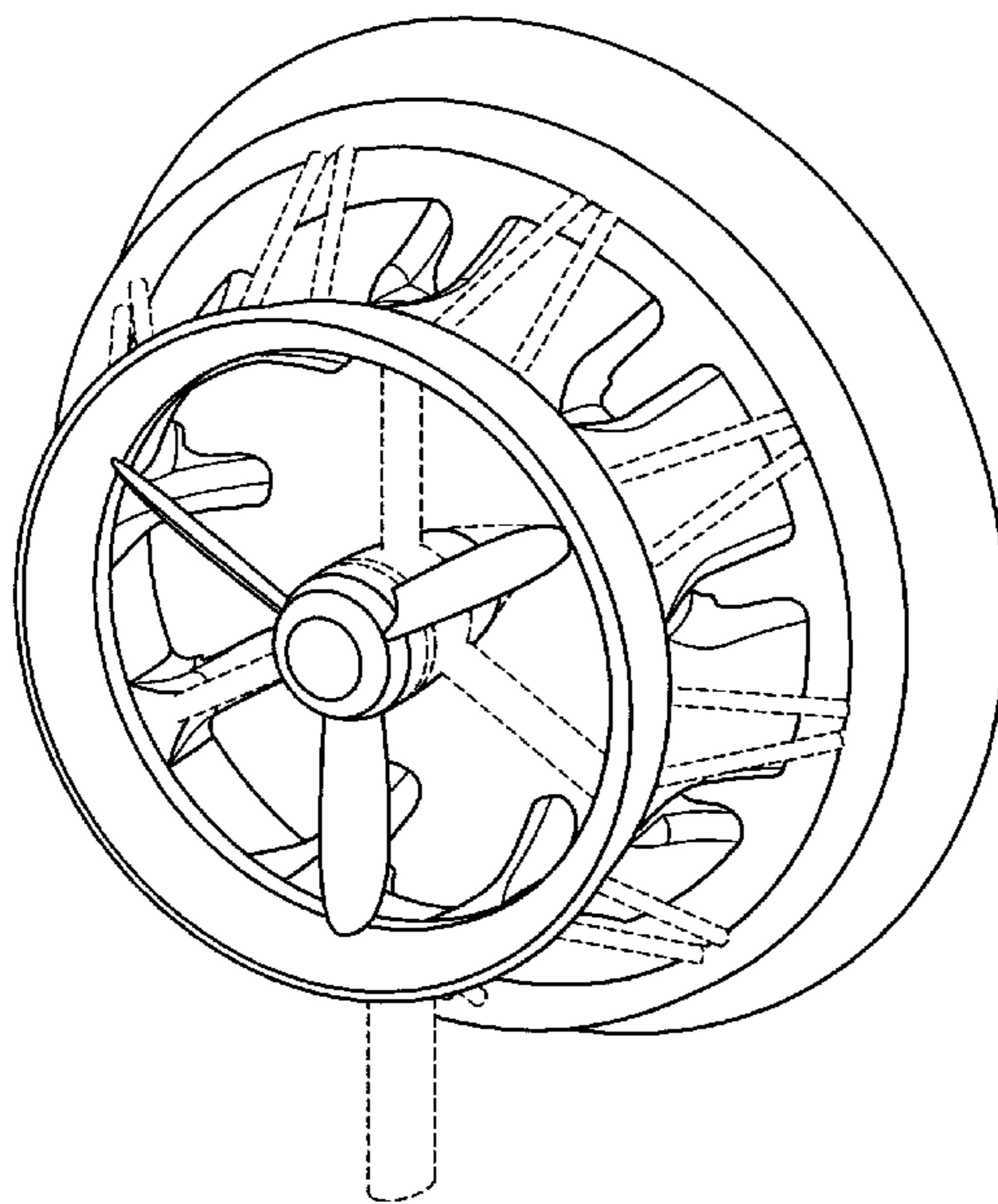
(57) **CLAIM**

The ornamental design for a wind turbine, as shown and described.

**DESCRIPTION**

FIG. 1 is a front view of the wind turbine; FIG. 2 is a left side view of the wind turbine; FIG. 3 is a rear view of the wind turbine; FIG. 4 is a right side view the wind turbine; FIG. 5 is a top view of the wind turbine; FIG. 6 is a bottom view of the wind turbine; FIG. 7 is a top front left perspective view of the wind turbine; and, FIG. 8 is a top rear left perspective view of the wind turbine. The broken lines shown in the drawings represent portions of the wind turbine that form no part of the claimed design. Where broken lines adjoin a claimed surface it is understood that those broken lines represent an unclaimed boundary between claimed and unclaimed surfaces and form no part of the claimed design.

**1 Claim, 4 Drawing Sheets**



# US D665,351 S

Page 2

---

## U.S. PATENT DOCUMENTS

D640,981	S *	7/2011	Presz et al.	.....	D13/115	2011/0189007	A1 *	8/2011	Presz et al.	.....	415/208.1
D642,526	S *	8/2011	Presz et al.	.....	D13/115	2011/0229315	A1 *	9/2011	Presz et al.	.....	415/191
D644,606	S *	9/2011	Presz et al.	.....	D13/115	2011/0250053	A1 *	10/2011	Presz et al.	.....	415/115
D647,847	S *	11/2011	Presz et al.	.....	D13/115	2011/0250062	A1 *	10/2011	Presz et al.	.....	415/208.2
2009/0214338	A1 *	8/2009	Werle et al.	.....	415/220	2011/0274533	A1 *	11/2011	Presz et al.	.....	415/1
2009/0263244	A1 *	10/2009	Presz et al.	.....	416/1	2012/0070275	A1 *	3/2012	Presz et al.	.....	415/208.1
2010/0316493	A1 *	12/2010	Presz et al.	.....	415/191						

\* cited by examiner

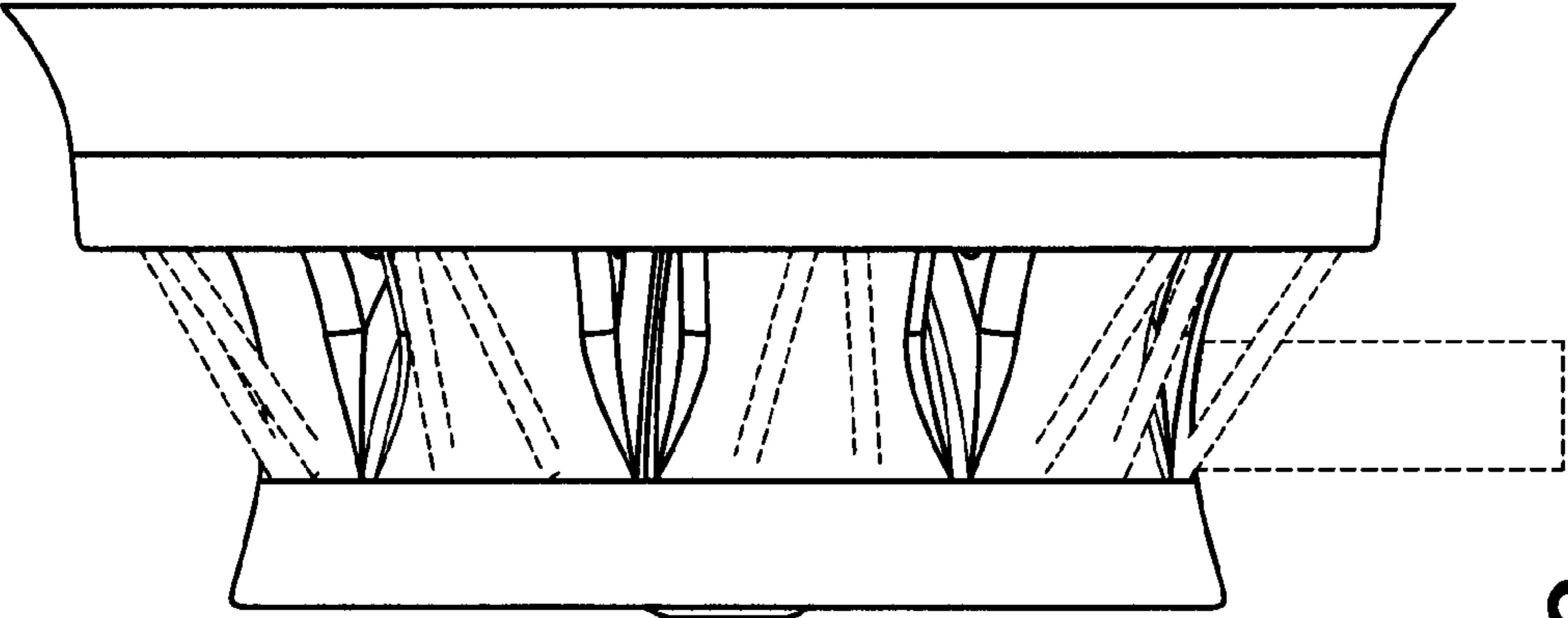


FIG. 2

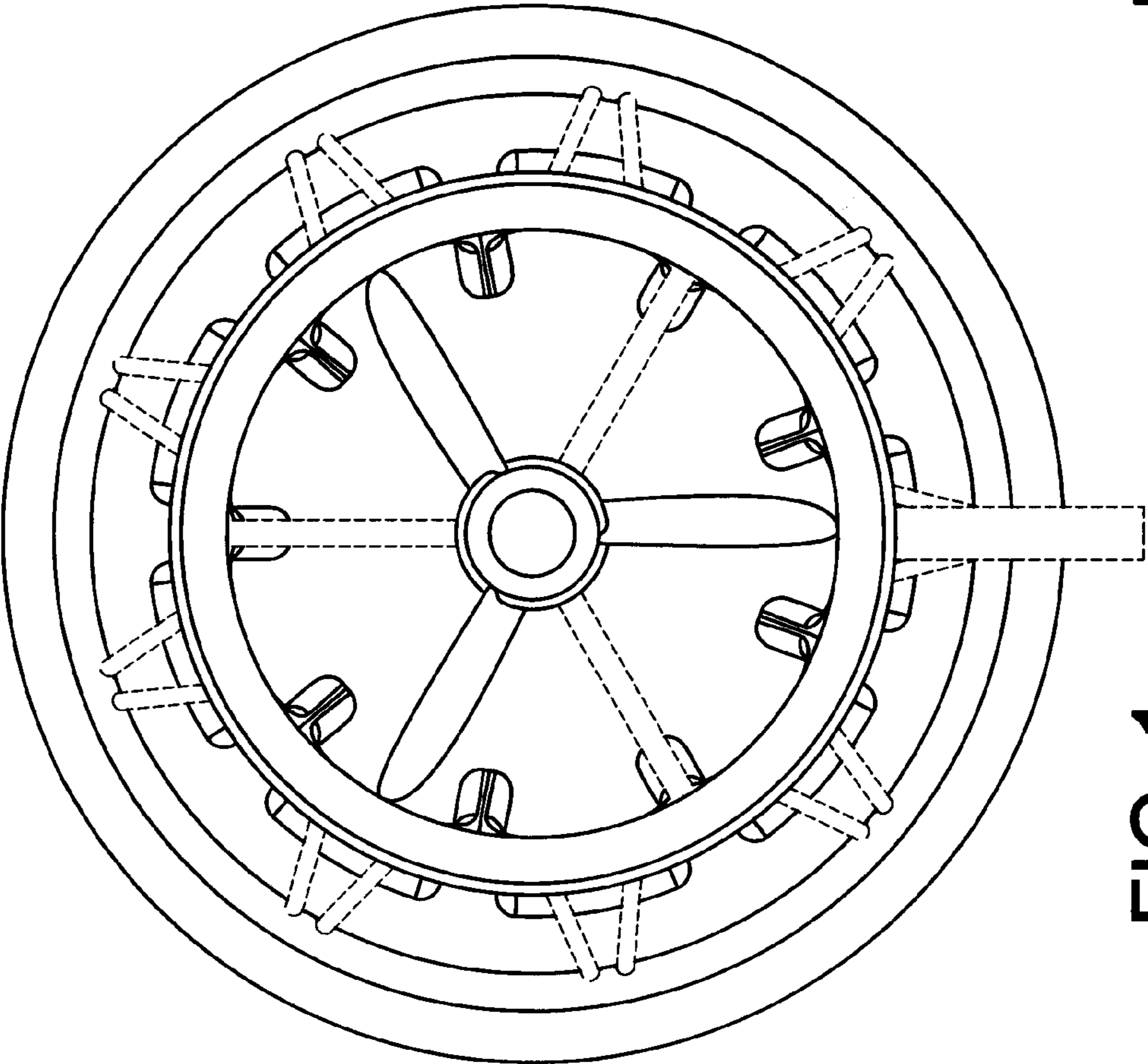


FIG. 1

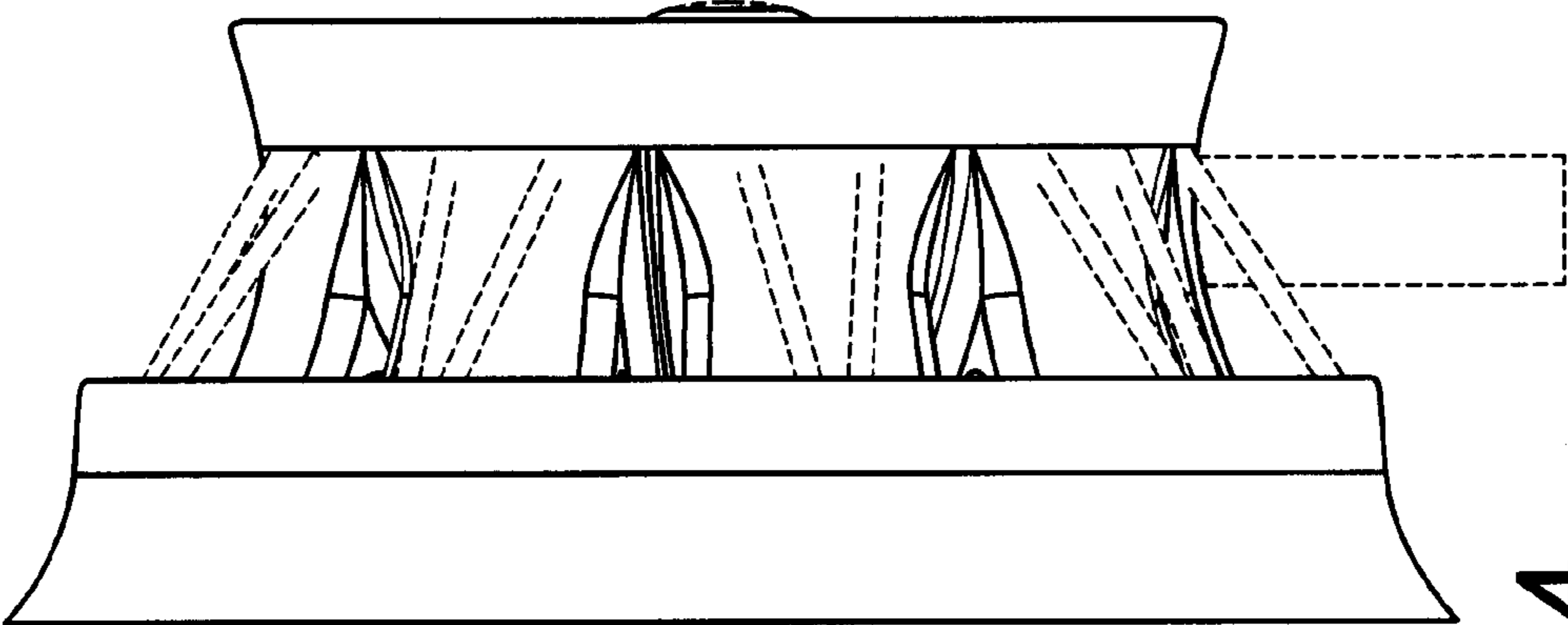


FIG. 4

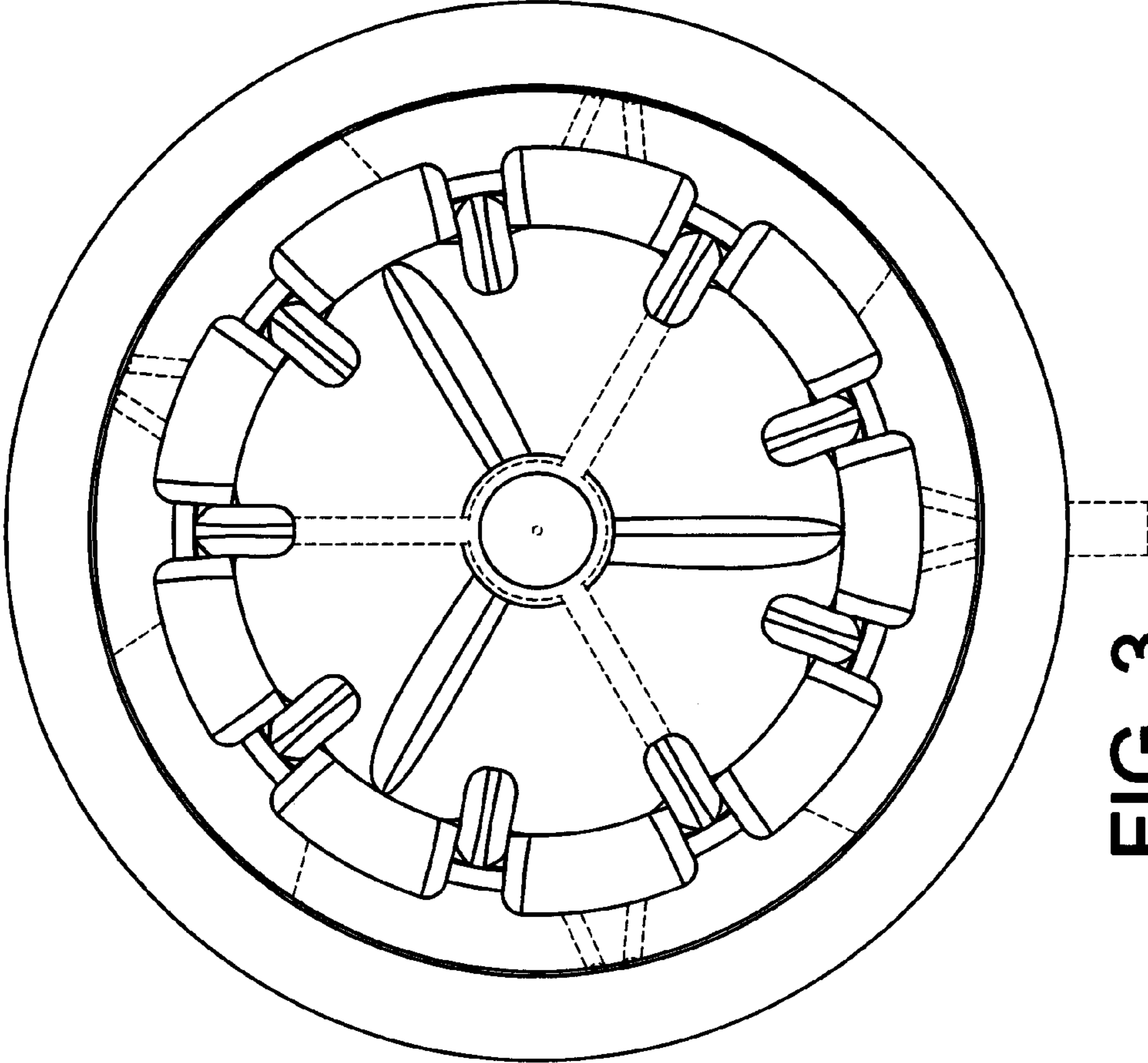


FIG. 3

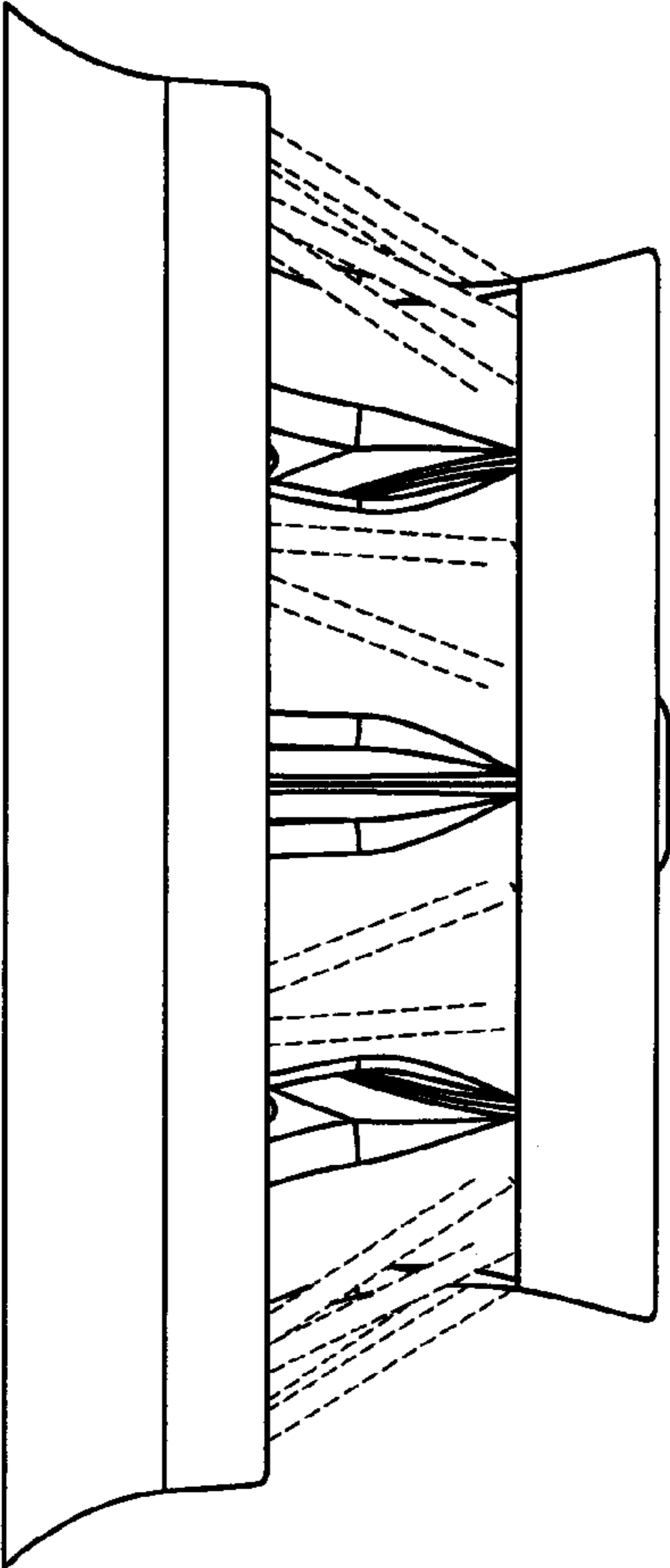


FIG. 5

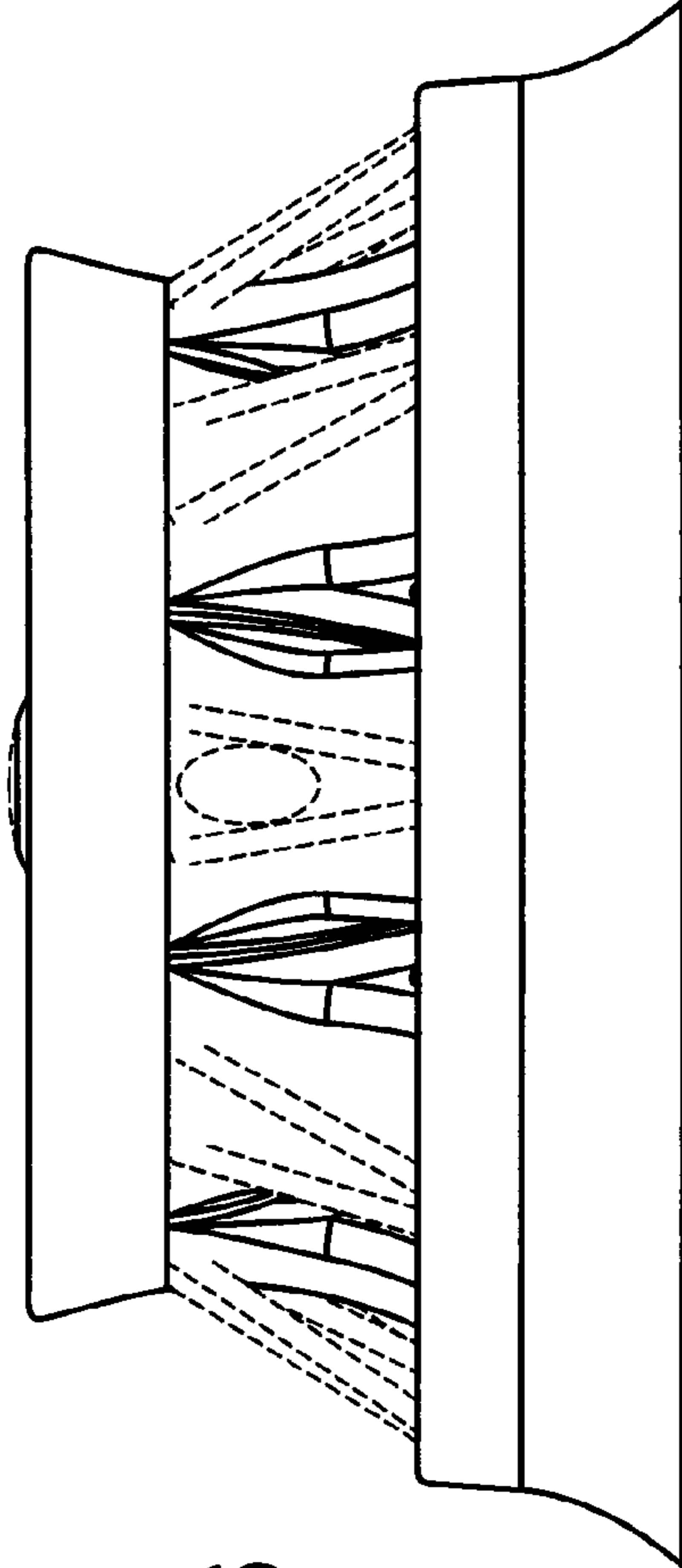


FIG. 6

FIG. 7

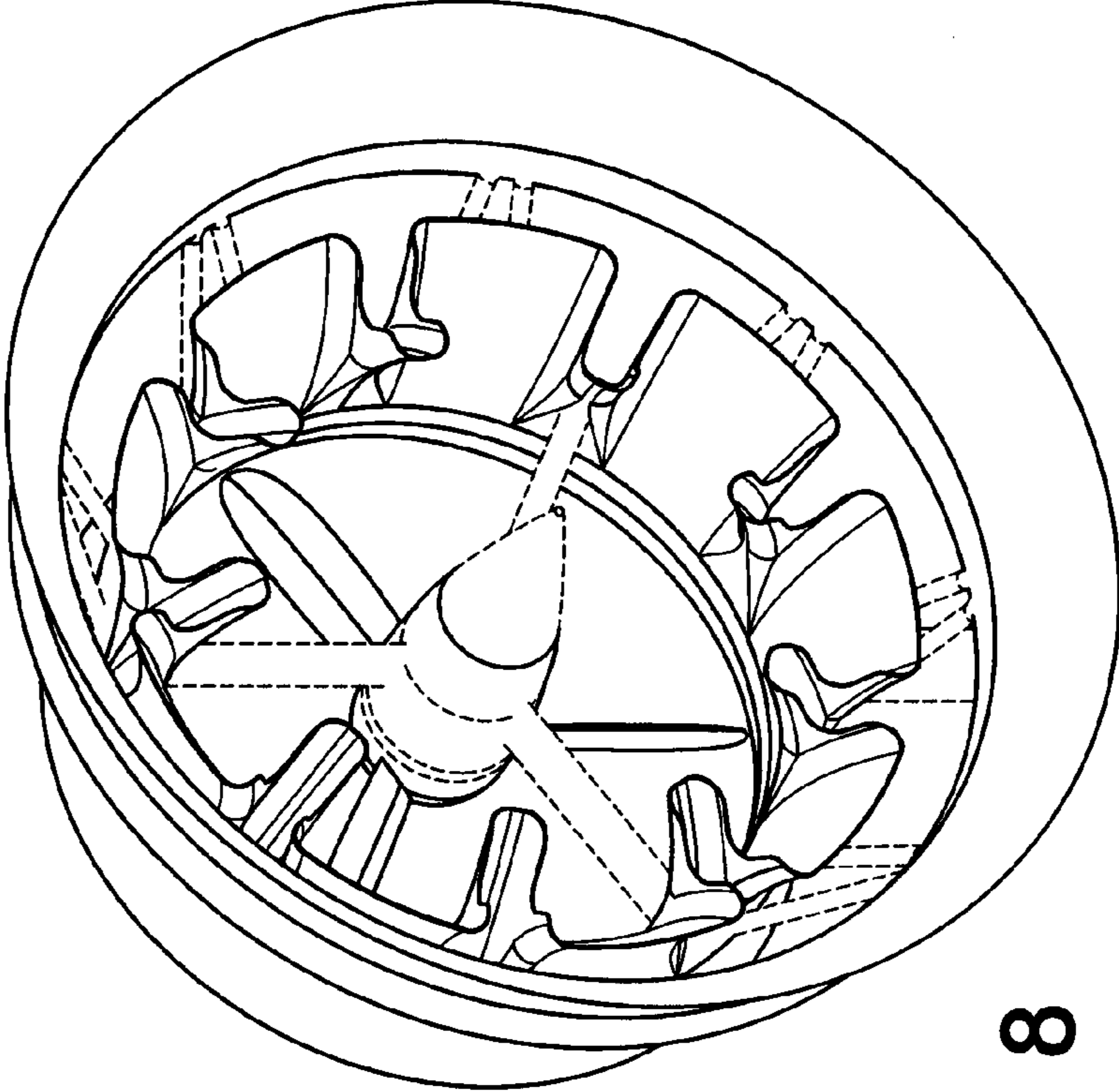


FIG. 8

