



US00D665350S

(12) **United States Design Patent**
Presz, Jr. et al.

(10) **Patent No.:** **US D665,350 S**
(45) **Date of Patent:** **** Aug. 14, 2012**

(54) **WIND TURBINE**

(75) Inventors: **Walter M. Presz, Jr.**, Wilbraham, MA (US); **Michael J. Werle**, West Hartford, CT (US); **Ercan Dumlupinar**, Palmer, MA (US)

(73) Assignee: **FloDesign Wind Turbine Corporation**, Waltham, MA (US)

(**) Term: **14 Years**

(21) Appl. No.: **29/378,623**

(22) Filed: **Nov. 6, 2010**

Related U.S. Application Data

(62) Division of application No. 29/378,411, filed on Nov. 4, 2010.

(51) **LOC (9) Cl.** **12-07**

(52) **U.S. Cl.** **D13/115; D12/345**

(58) **Field of Classification Search** D12/344, D12/345; D13/115, 118, 122, 199, 179; D15/1, 199, 5; D21/458, 455; D23/379, D23/411, 413; 290/44, 54, 55; 60/262; 415/4.2, 415/4.3, 1, 115, 191, 208, 220; D24/110
See application file for complete search history.

(56) **References Cited**

U.S. PATENT DOCUMENTS

| | | | | |
|-----------|-----|---------|----------------|-----------|
| 5,035,379 | A * | 7/1991 | Hersen et al. | 244/129.4 |
| 5,056,738 | A * | 10/1991 | Mercer et al. | 244/54 |
| D507,343 | S * | 7/2005 | Chiu et al. | D23/379 |
| D507,641 | S * | 7/2005 | Chiu et al. | D23/379 |
| D508,560 | S * | 8/2005 | Chiu et al. | D23/379 |
| D554,150 | S * | 10/2007 | Fausett et al. | D15/5 |
| D579,883 | S * | 11/2008 | Hwang et al. | D13/179 |
| D588,158 | S * | 3/2009 | Fausett et al. | D15/5 |

| | | | | |
|--------------|------|---------|--------------|---------|
| D628,962 | S * | 12/2010 | Presz et al. | D13/115 |
| D629,095 | S * | 12/2010 | Liu et al. | D23/411 |
| D629,356 | S * | 12/2010 | Presz et al. | D13/115 |
| D635,511 | S * | 4/2011 | Presz et al. | D13/115 |
| D640,978 | S * | 7/2011 | Presz et al. | D13/115 |
| D640,979 | S * | 7/2011 | Presz et al. | D13/115 |
| D640,980 | S * | 7/2011 | Presz et al. | D13/115 |
| D640,981 | S * | 7/2011 | Presz et al. | D13/115 |
| D642,526 | S * | 8/2011 | Presz et al. | D13/115 |
| D644,606 | S * | 9/2011 | Presz et al. | D13/115 |
| D647,847 | S * | 11/2011 | Presz et al. | D13/115 |
| 2009/0214338 | A1 * | 8/2009 | Werle et al. | 415/220 |
| 2009/0263244 | A1 * | 10/2009 | Presz et al. | 416/1 |

(Continued)

Primary Examiner — Austin Murphy

(74) *Attorney, Agent, or Firm* — Fay Sharpe LLP

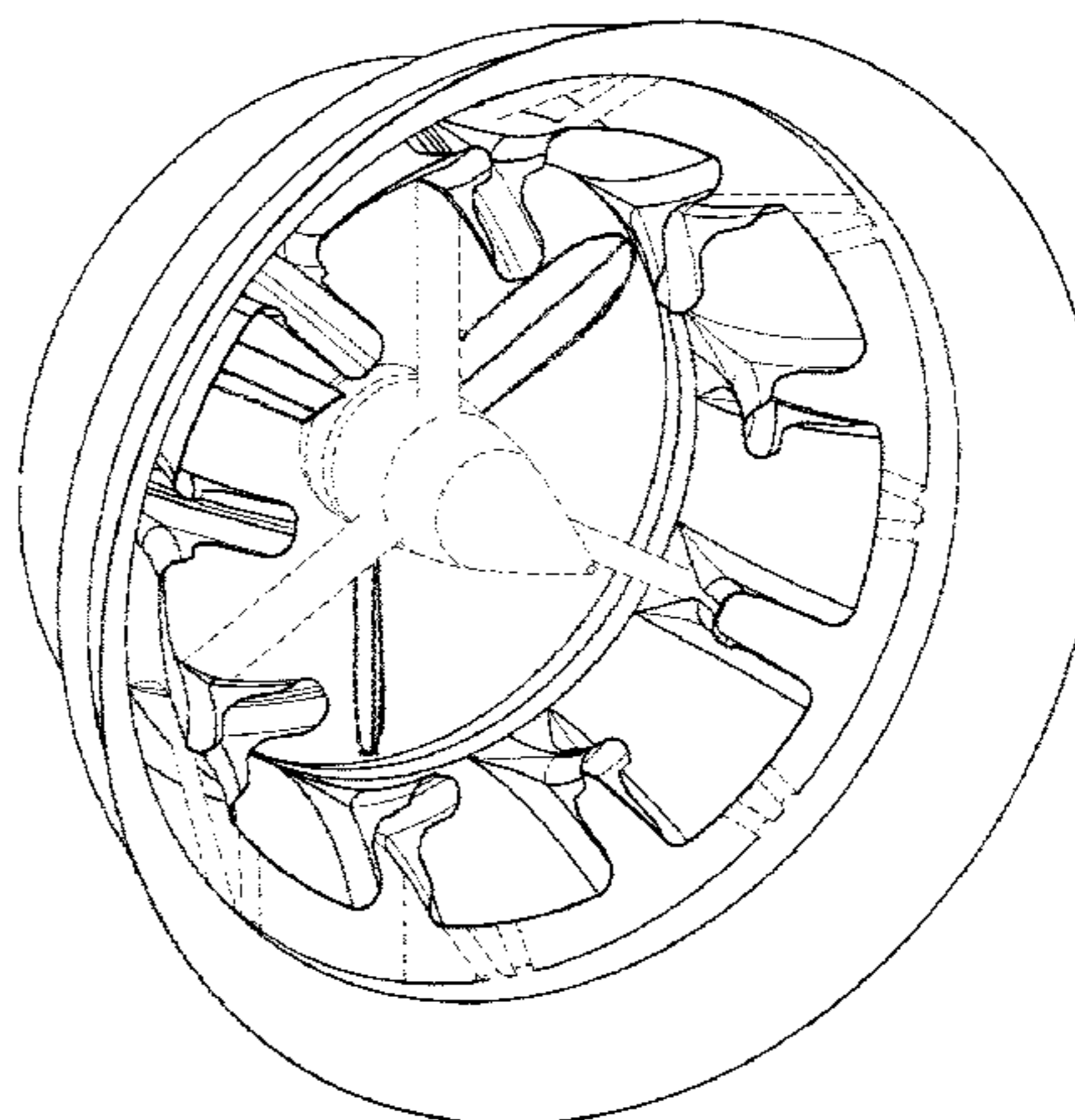
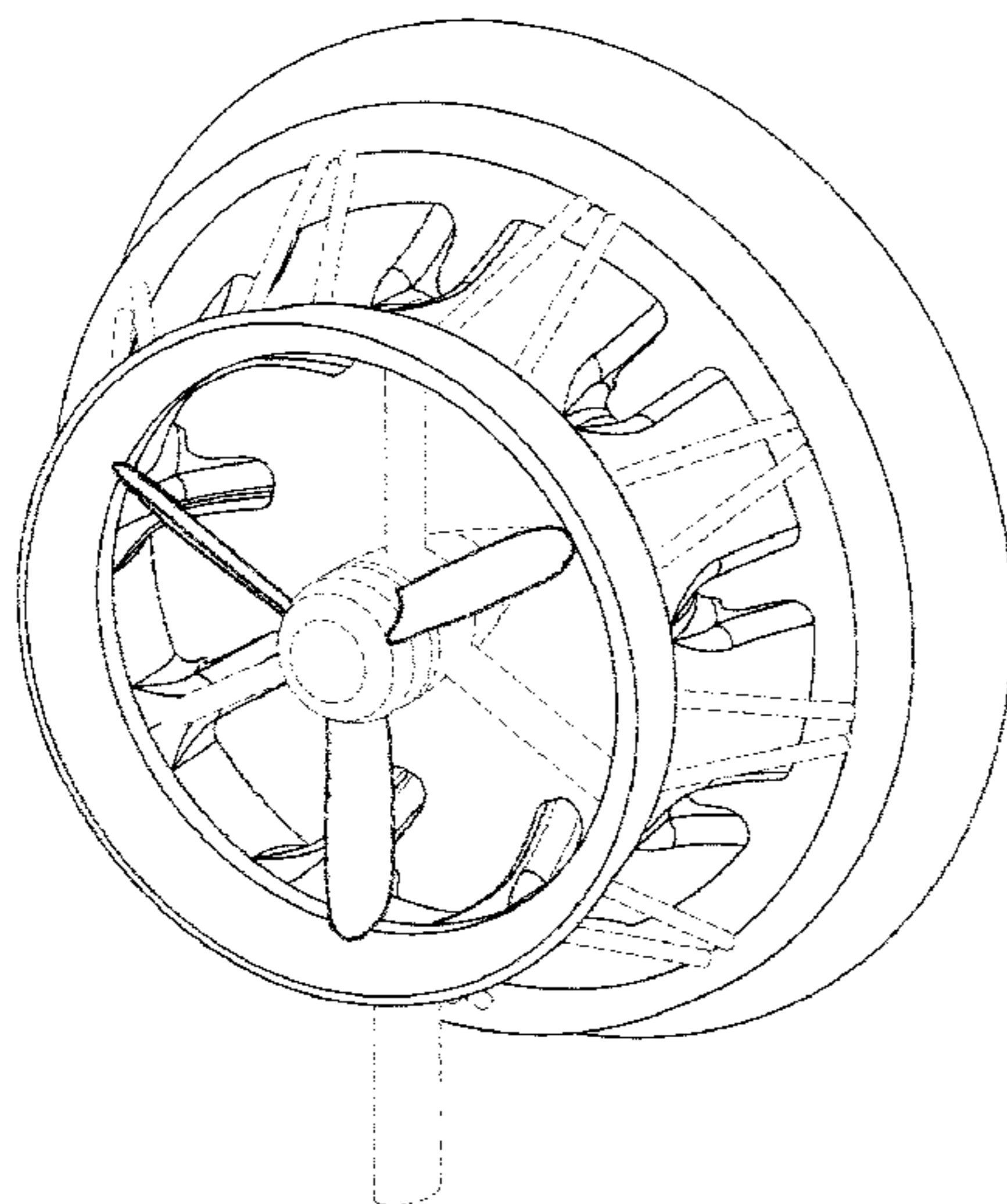
(57) **CLAIM**

The ornamental design for a wind turbine, as shown and described.

DESCRIPTION

FIG. 1 is a front view of the wind turbine;
FIG. 2 is a left side view of the wind turbine;
FIG. 3 is a rear view of the wind turbine;
FIG. 4 is a right side view the wind turbine;
FIG. 5 is a top view of the wind turbine;
FIG. 6 is a bottom view of the wind turbine;
FIG. 7 is a top front left perspective view of the wind turbine;
and,
FIG. 8 is a top rear left perspective view of the wind turbine.
The broken lines shown in the drawings represent portions of the wind turbine that form no part of the claimed design. Where broken lines adjoin a claimed surface it is understood that those broken lines represent an unclaimed boundary between claimed and unclaimed surfaces and form no part of the claimed design.

1 Claim, 4 Drawing Sheets



US D665,350 S

Page 2

U.S. PATENT DOCUMENTS

| | | | | | | | | | |
|--------------|-----|---------|-------------------|-----------|--------------|-----|---------|-------------------|-----------|
| 2010/0316493 | A1* | 12/2010 | Presz et al. | 415/191 | 2011/0250053 | A1* | 10/2011 | Presz et al. | 415/115 |
| 2011/0189007 | A1* | 8/2011 | Presz et al. | 415/208.1 | 2011/0250062 | A1* | 10/2011 | Presz et al. | 415/208.2 |
| 2011/0229302 | A1* | 9/2011 | Presz et al. | 415/1 | 2011/0274533 | A1* | 11/2011 | Presz et al. | 415/1 |
| 2011/0229315 | A1* | 9/2011 | Presz et al. | 415/191 | 2012/0070275 | A1* | 3/2012 | Presz et al. | 415/208.1 |

* cited by examiner

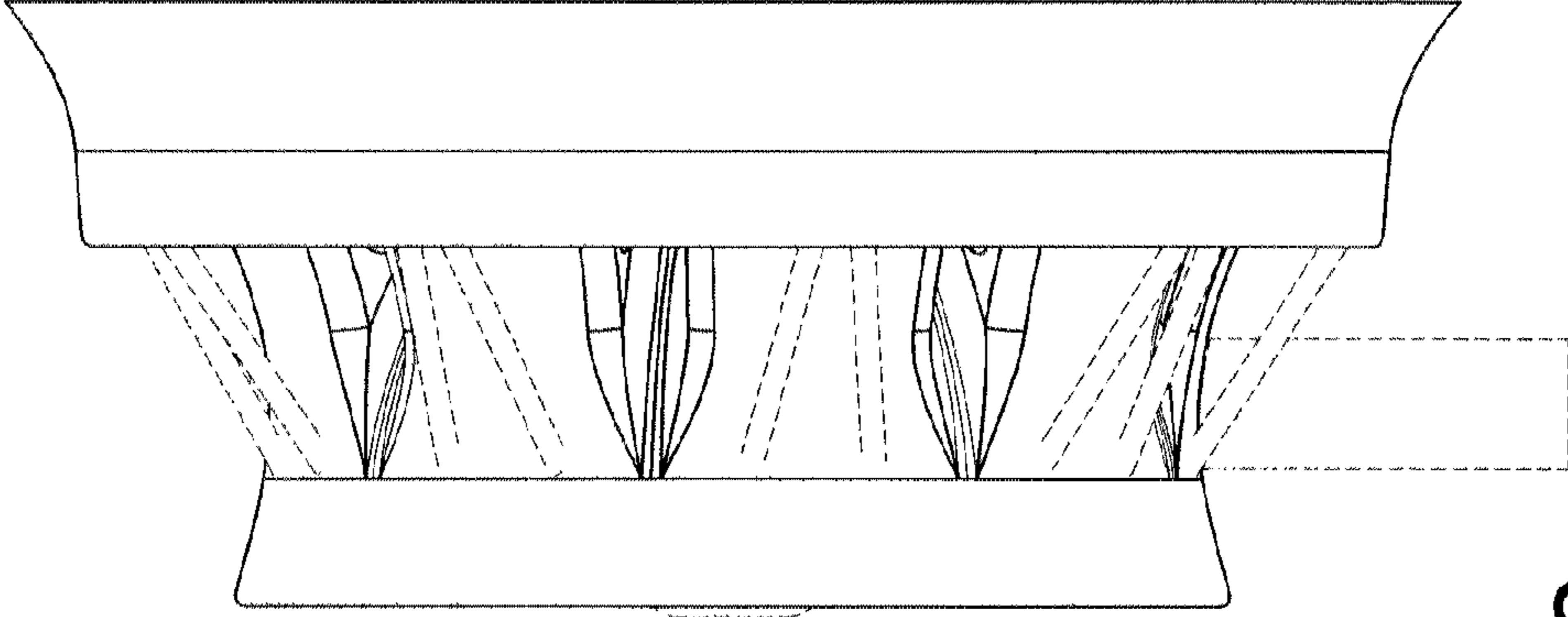


FIG. 2

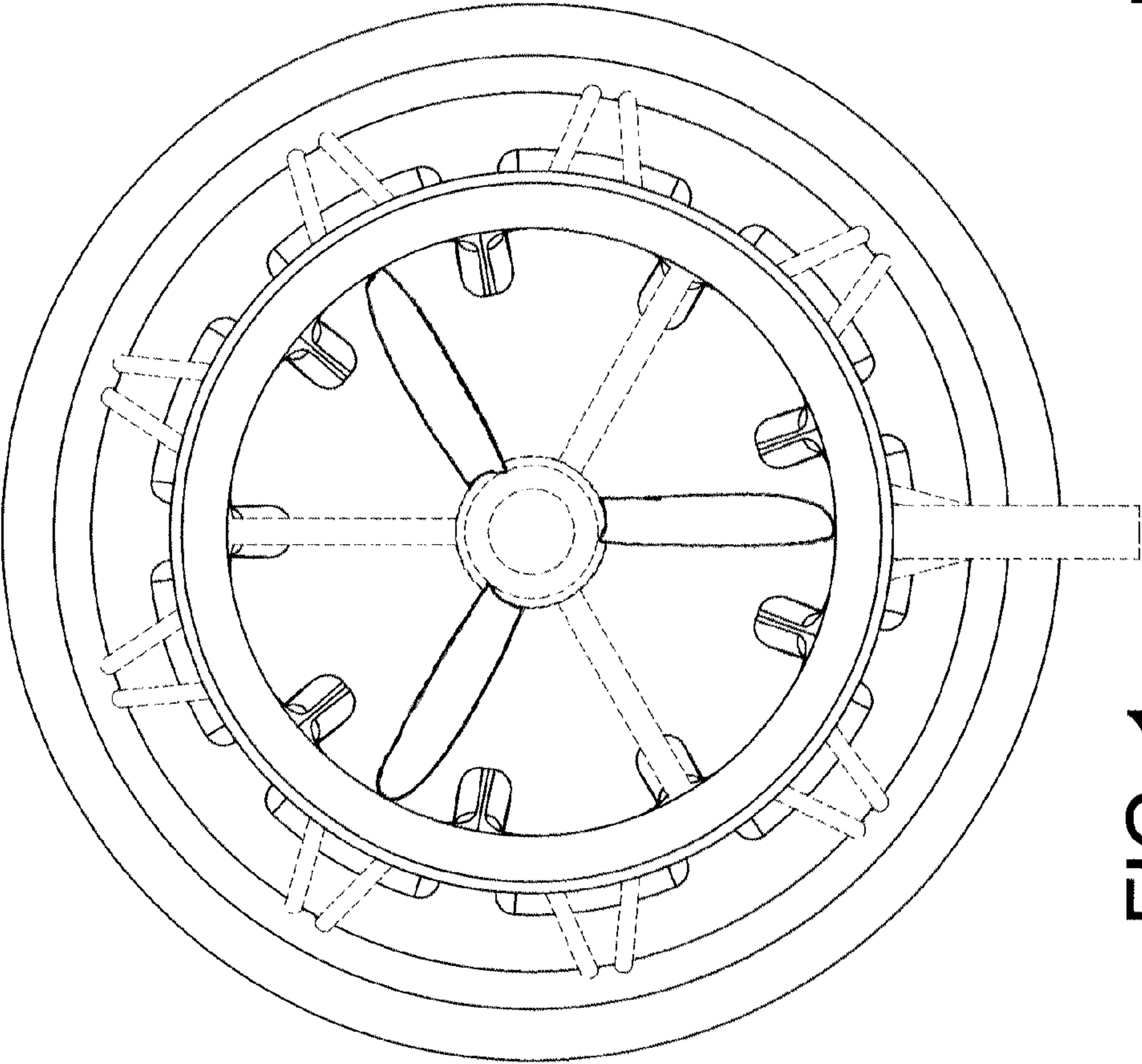


FIG. 1

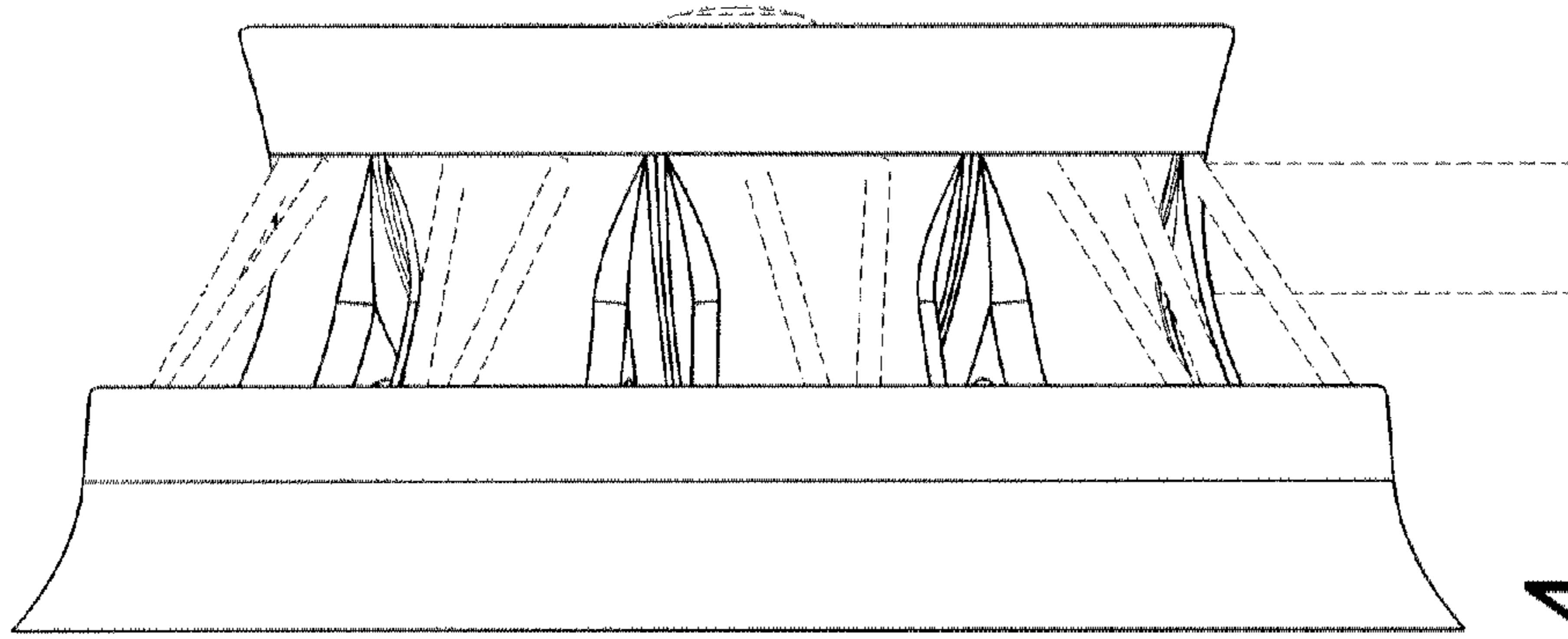


FIG. 4

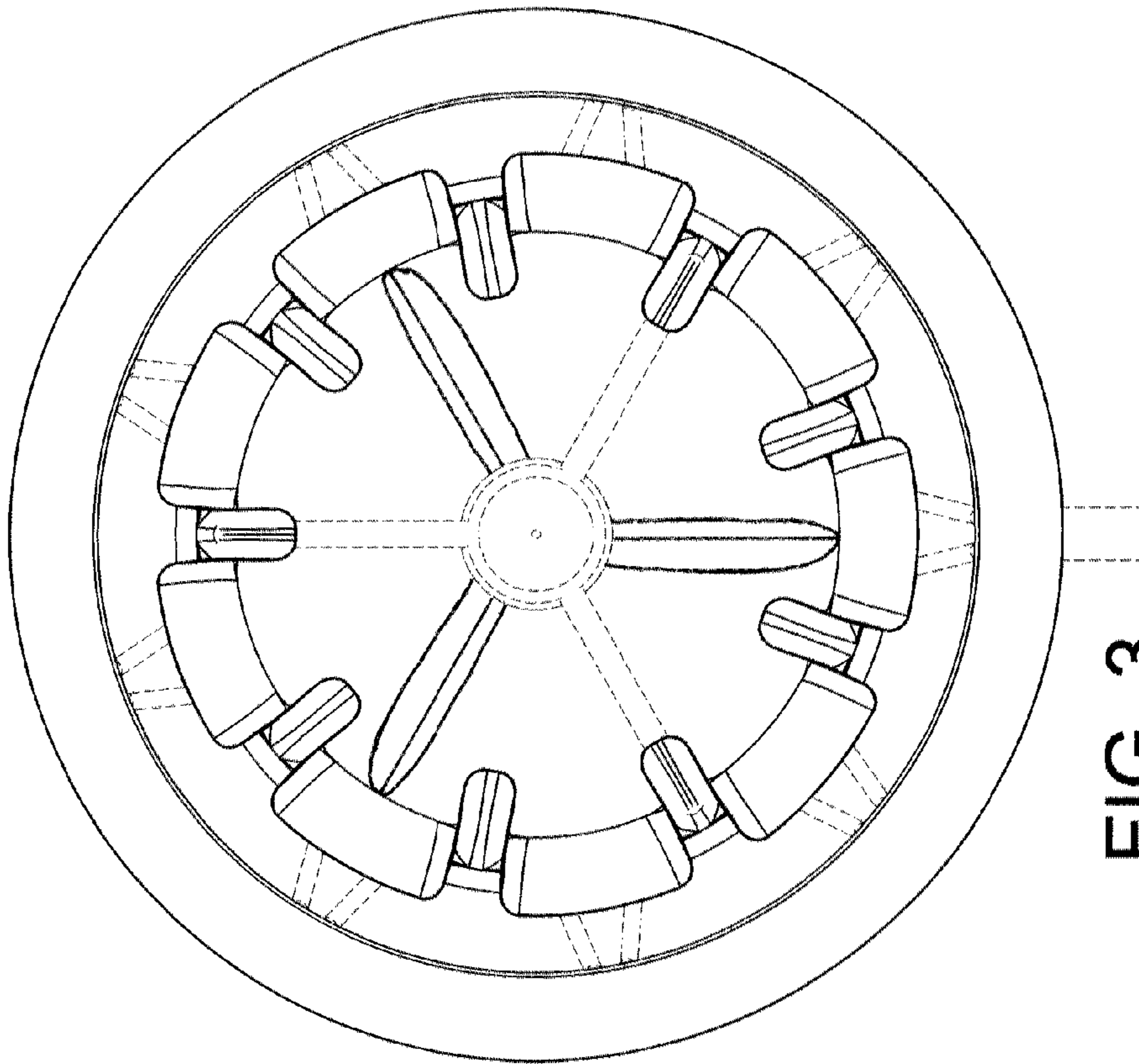


FIG. 3

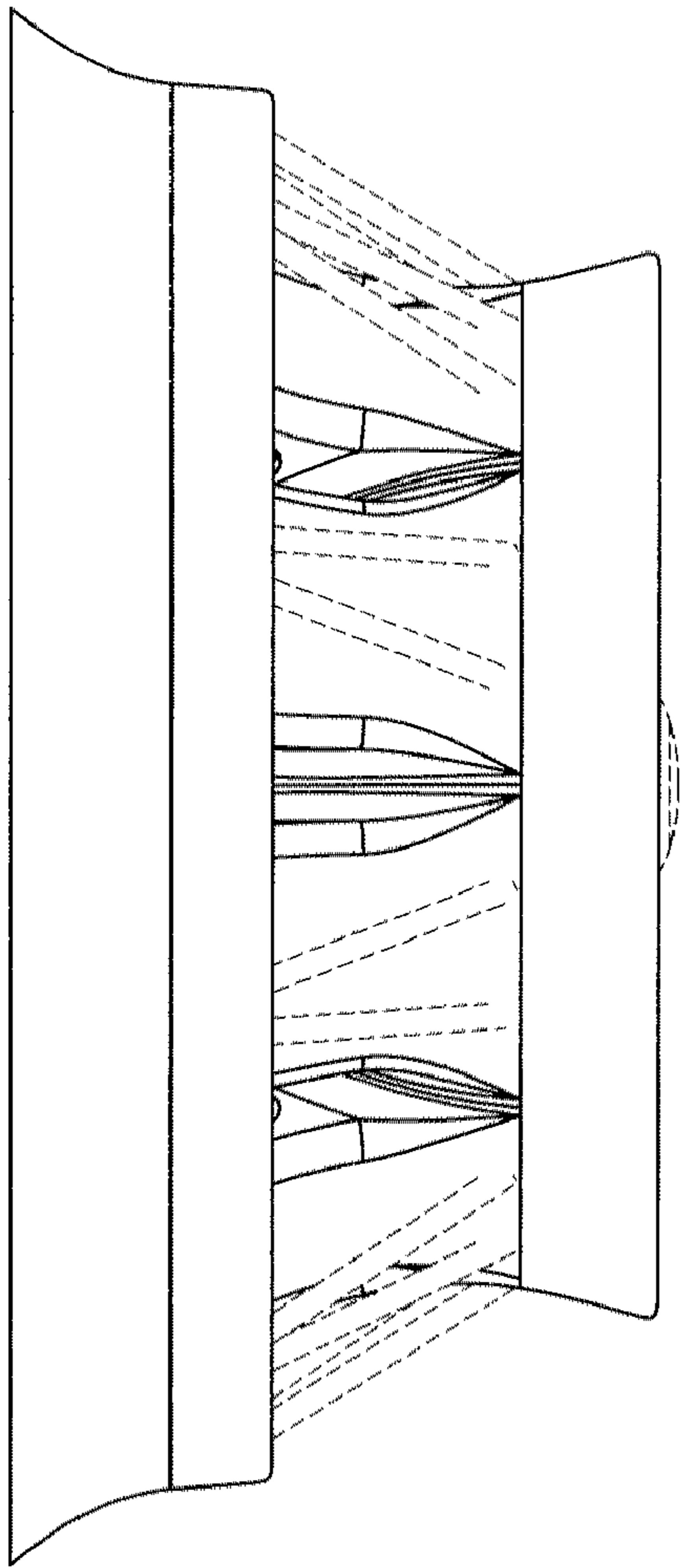


FIG. 5

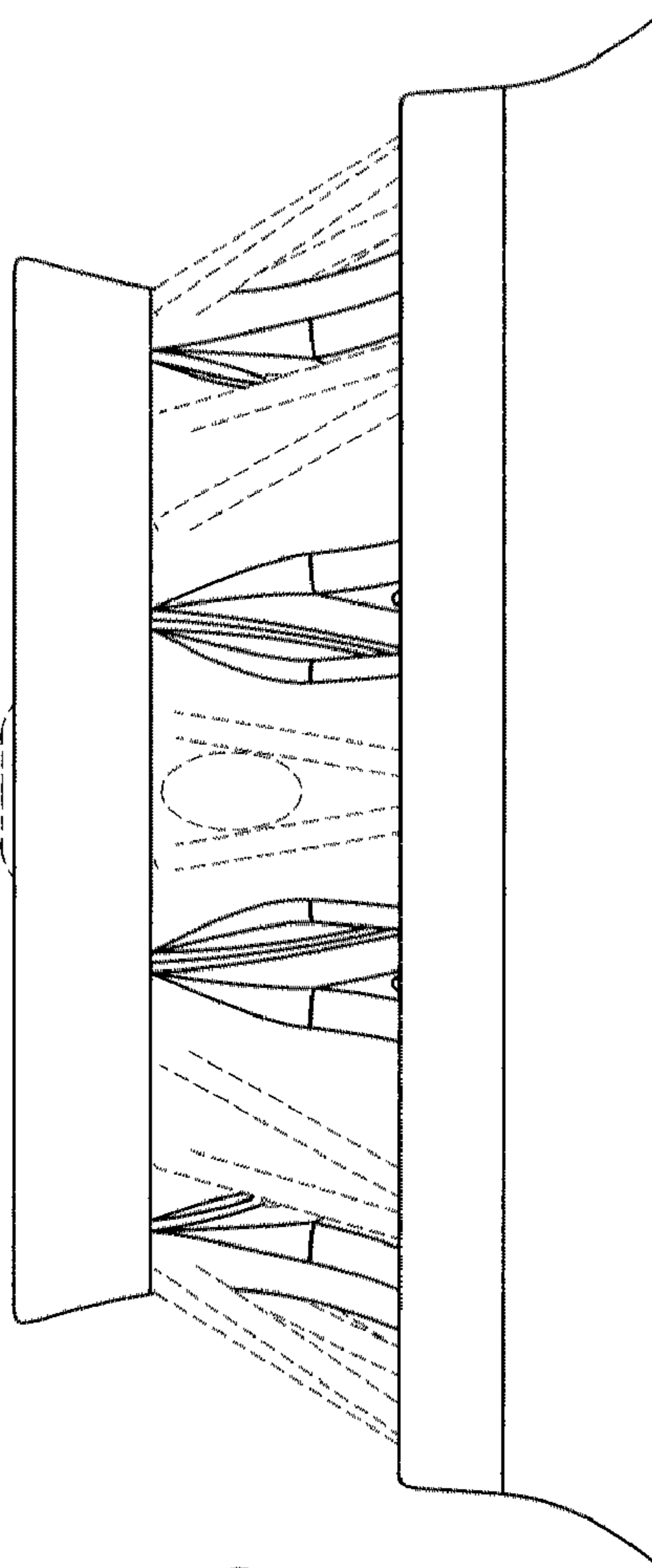


FIG. 6

FIG. 7

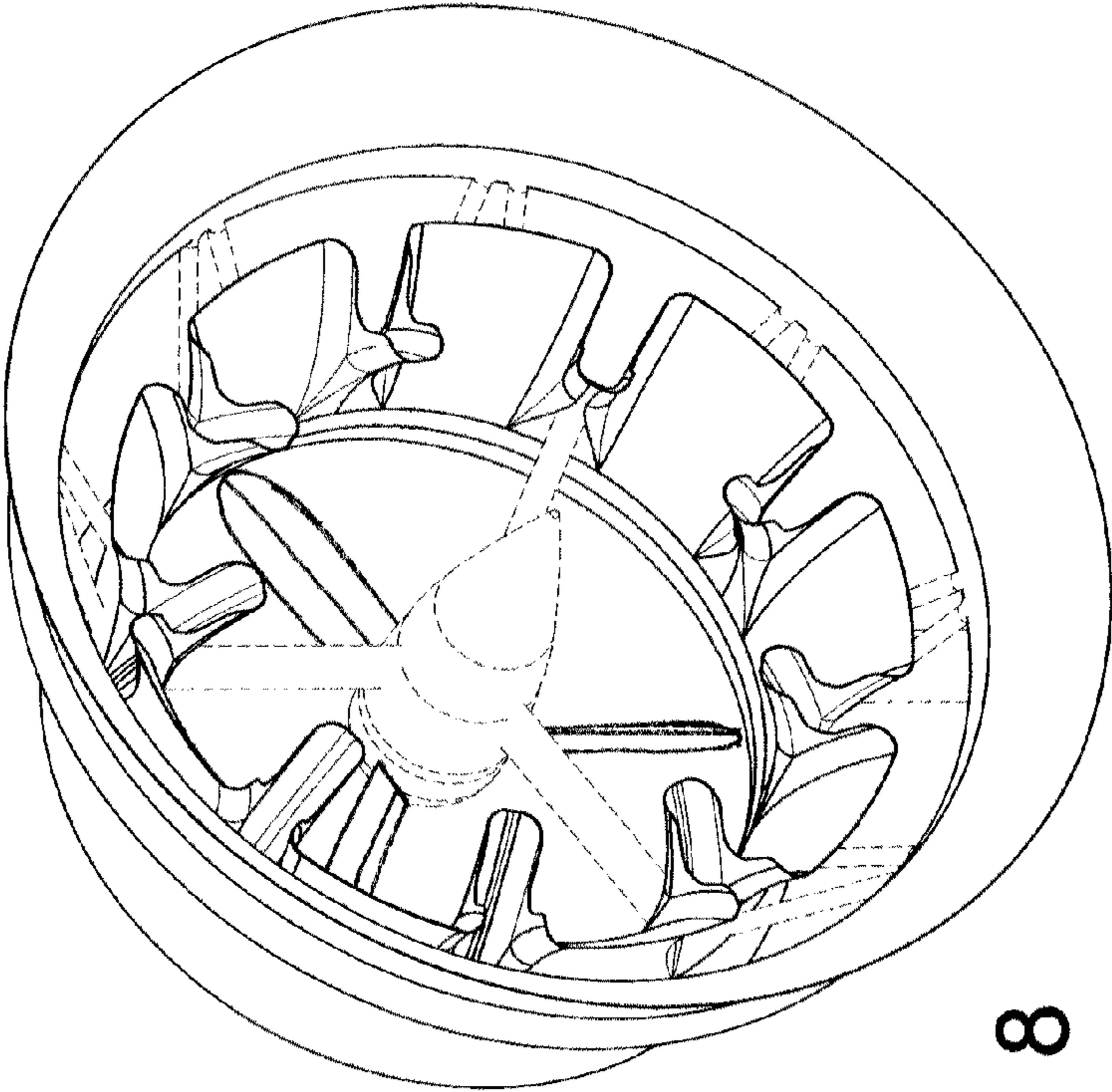


FIG. 8

