



US00D665347S

(12) **United States Design Patent**
Chen

(10) **Patent No.:** **US D665,347 S**

(45) **Date of Patent:** **** Aug. 14, 2012**

(54) **BATTERY CHARGER**

(76) Inventor: **Bo-Hai Chen**, Shenzhen (CN)

(**) Term: **14 Years**

(21) Appl. No.: **29/399,008**

(22) Filed: **Aug. 8, 2011**

(51) **LOC (9) Cl.** **13-02**

(52) **U.S. Cl.** **D13/108**

(58) **Field of Classification Search** D13/107-110,
D13/118-119, 184, 199; D14/251, 253,
D14/432, 434; 320/107-115

See application file for complete search history.

(56) **References Cited**

U.S. PATENT DOCUMENTS

| | | | | |
|--------------|---------|-----------------|-------|---------|
| D431,230 S * | 9/2000 | Began | | D13/184 |
| D478,884 S * | 8/2003 | Slipy et al. | | D14/149 |
| D529,495 S * | 10/2006 | Kent et al. | | D14/356 |
| D554,584 S * | 11/2007 | Feldman et al. | | D13/110 |
| D558,143 S * | 12/2007 | Hsu | | D13/110 |
| D604,725 S * | 11/2009 | Chen | | D14/240 |
| D612,329 S * | 3/2010 | Guccione et al. | | D13/108 |

| | | | | |
|--------------|---------|----------------|-------|---------|
| D627,719 S * | 11/2010 | DuMelle et al. | | D13/110 |
| D628,201 S * | 11/2010 | Tian et al. | | D14/434 |
| D644,168 S * | 8/2011 | Bishay et al. | | D13/102 |

* cited by examiner

Primary Examiner — Rosemary K Tarcza

(57) **CLAIM**

The ornamental design for battery charger, as shown and described.

DESCRIPTION

FIG. 1 is a perspective view of a battery charger showing my new design;

FIG. 2 is a front elevational view thereof;

FIG. 3 is a rear elevational view thereof;

FIG. 4 is a left side elevational view thereof;

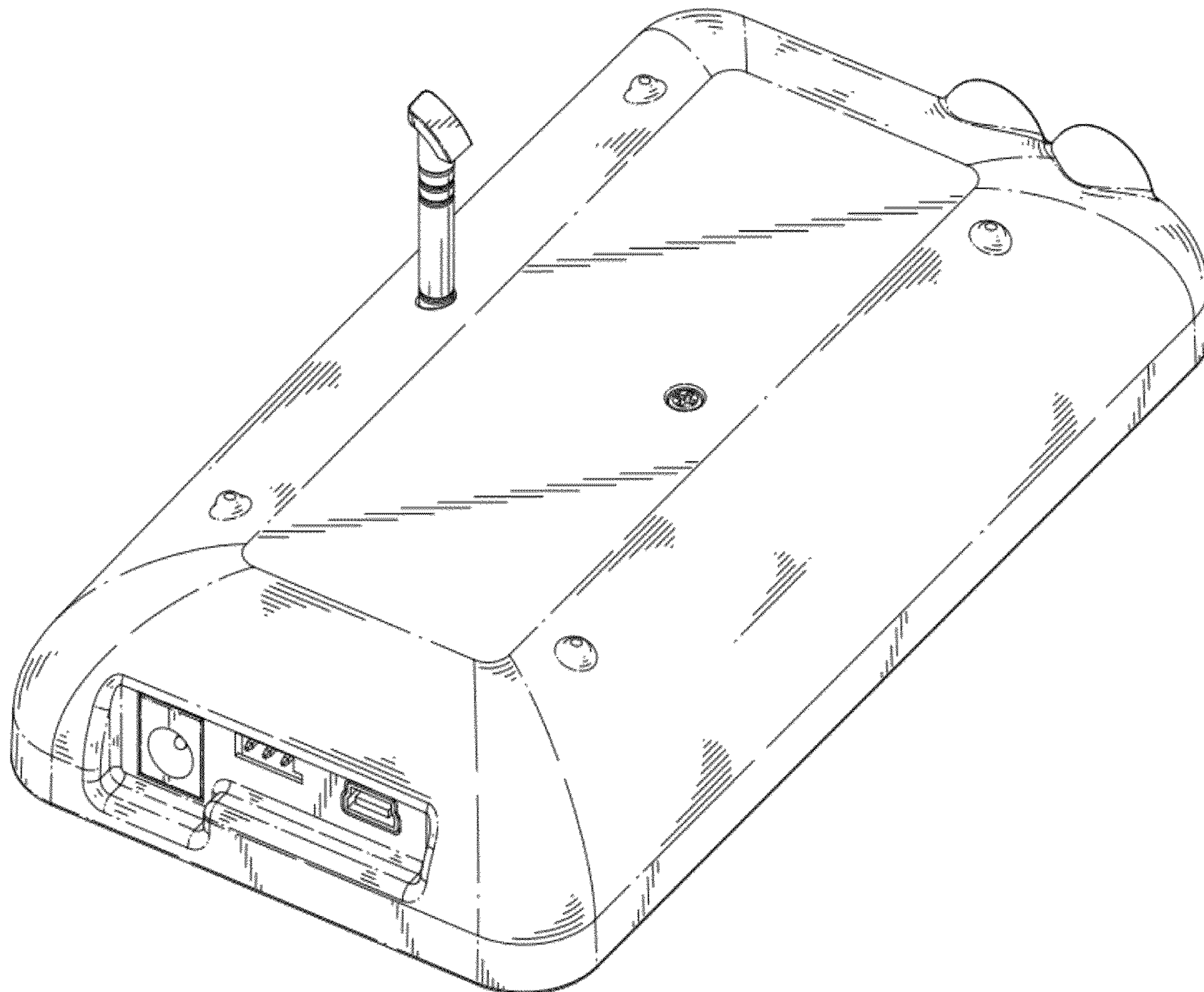
FIG. 5 is a right side elevational view thereof;

FIG. 6 is a top plan view thereof; and,

FIG. 7 is a bottom plan view thereof.

The broken lines shown are included for the purpose of illustrating environmental structure and form no part of the claimed design.

1 Claim, 7 Drawing Sheets



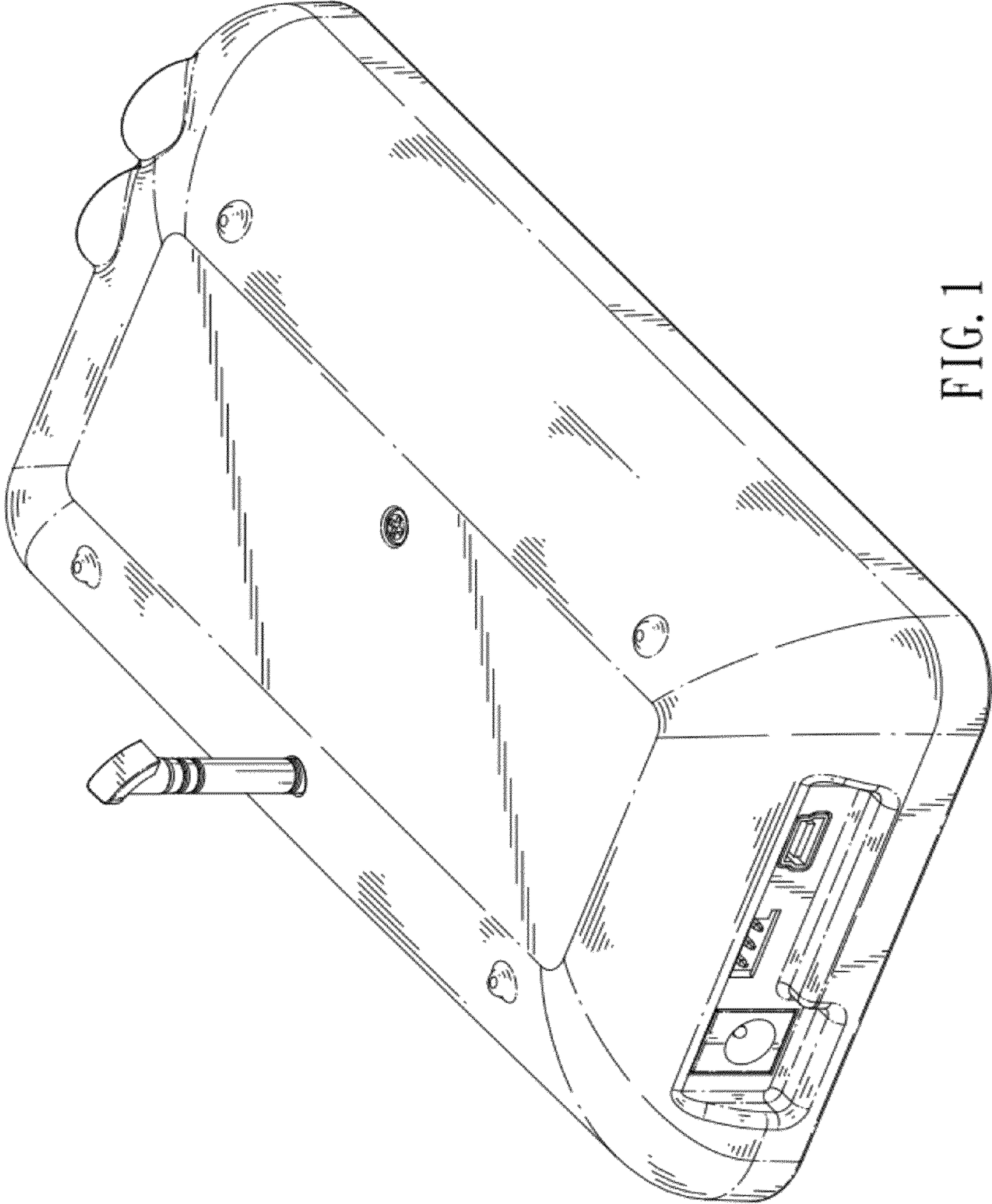


FIG. 1

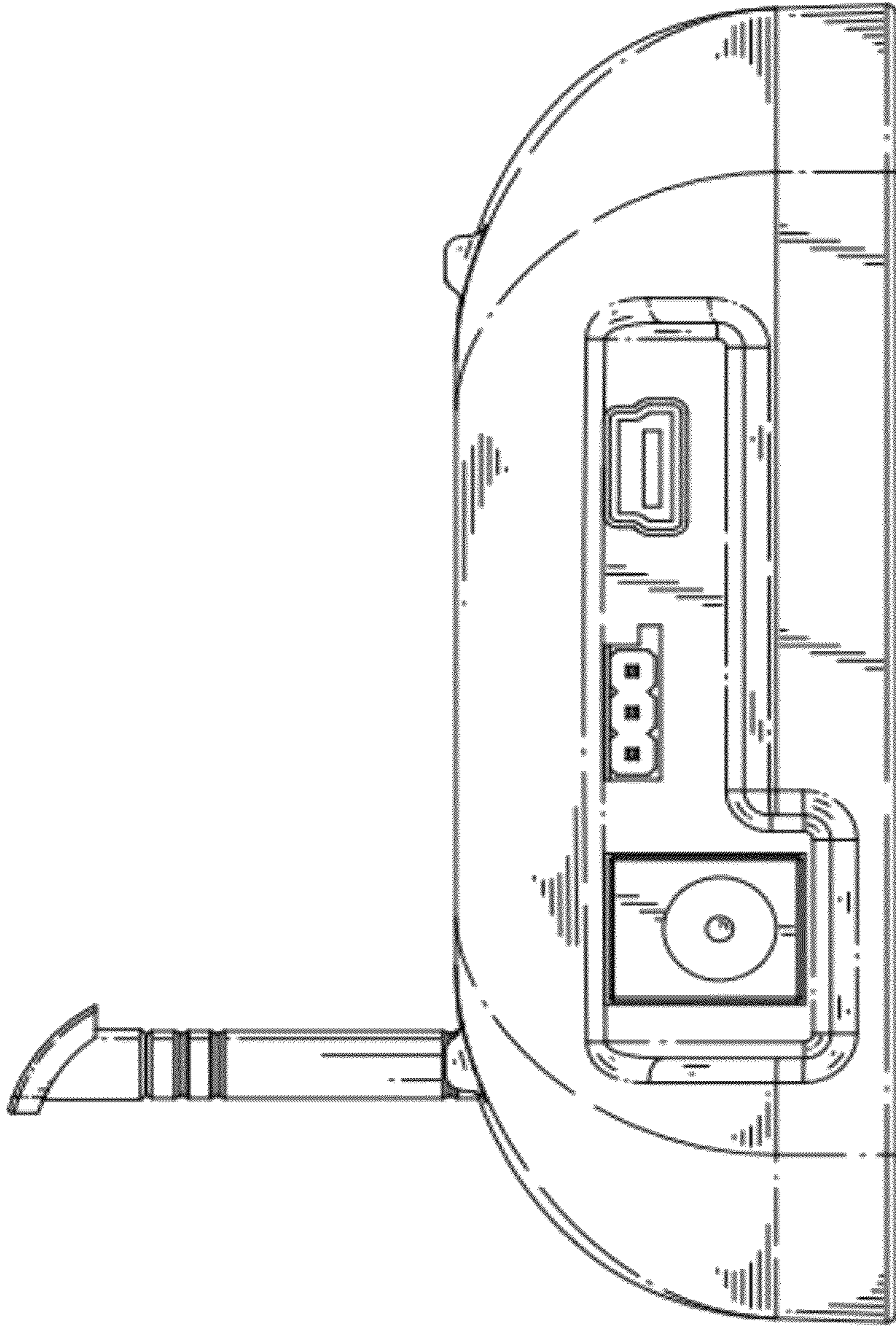


FIG. 2

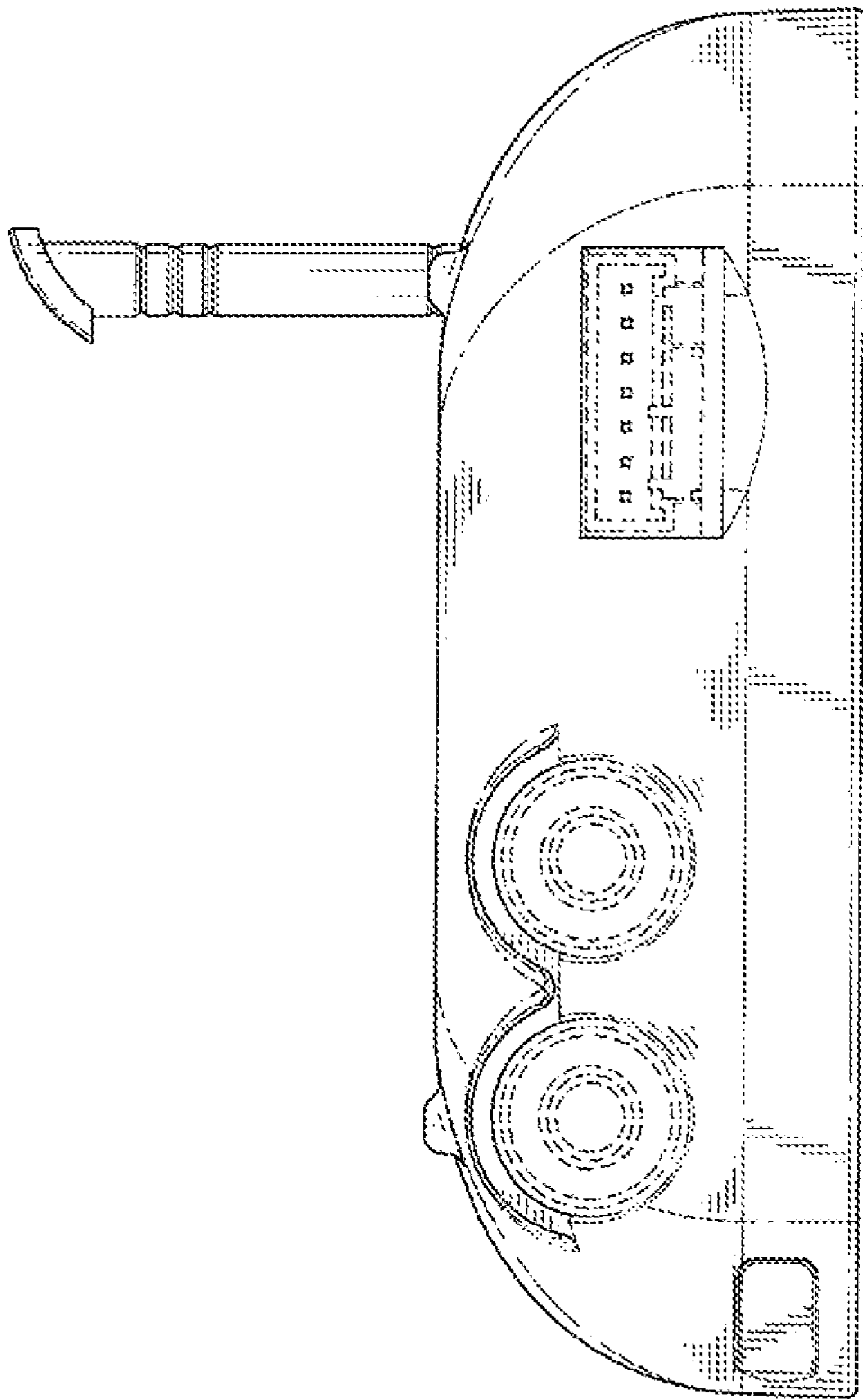


FIG. 3

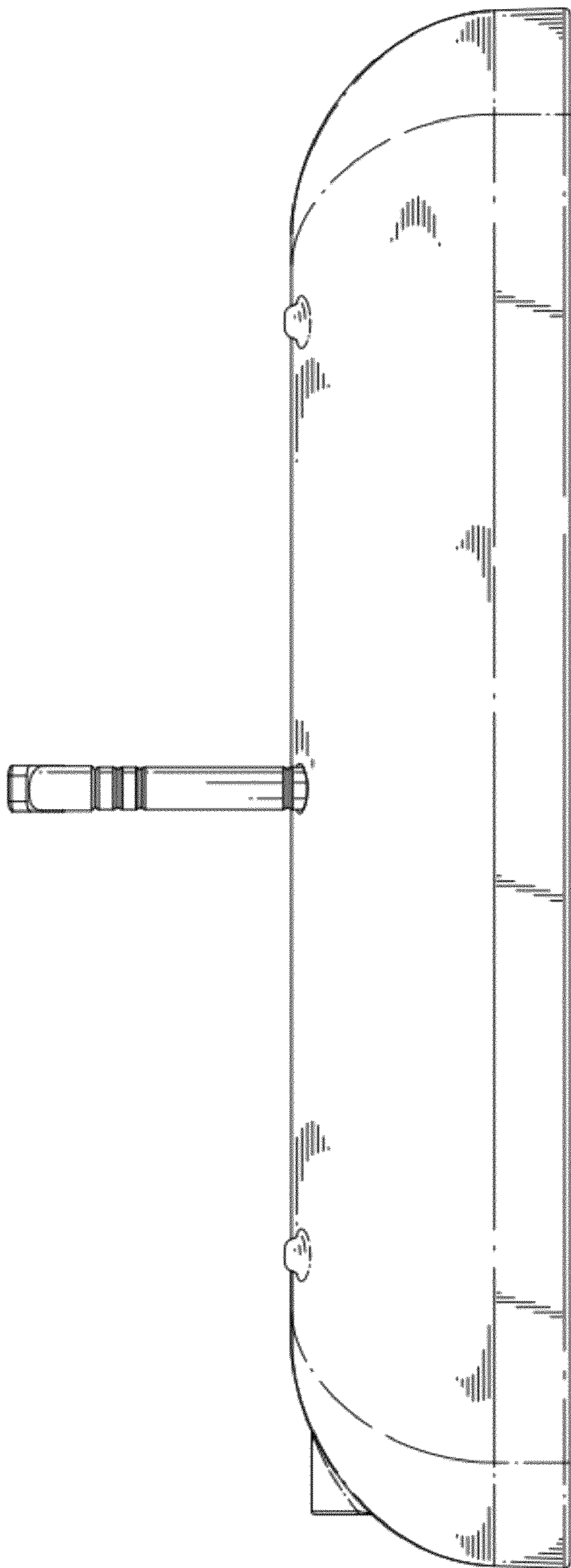


FIG. 4

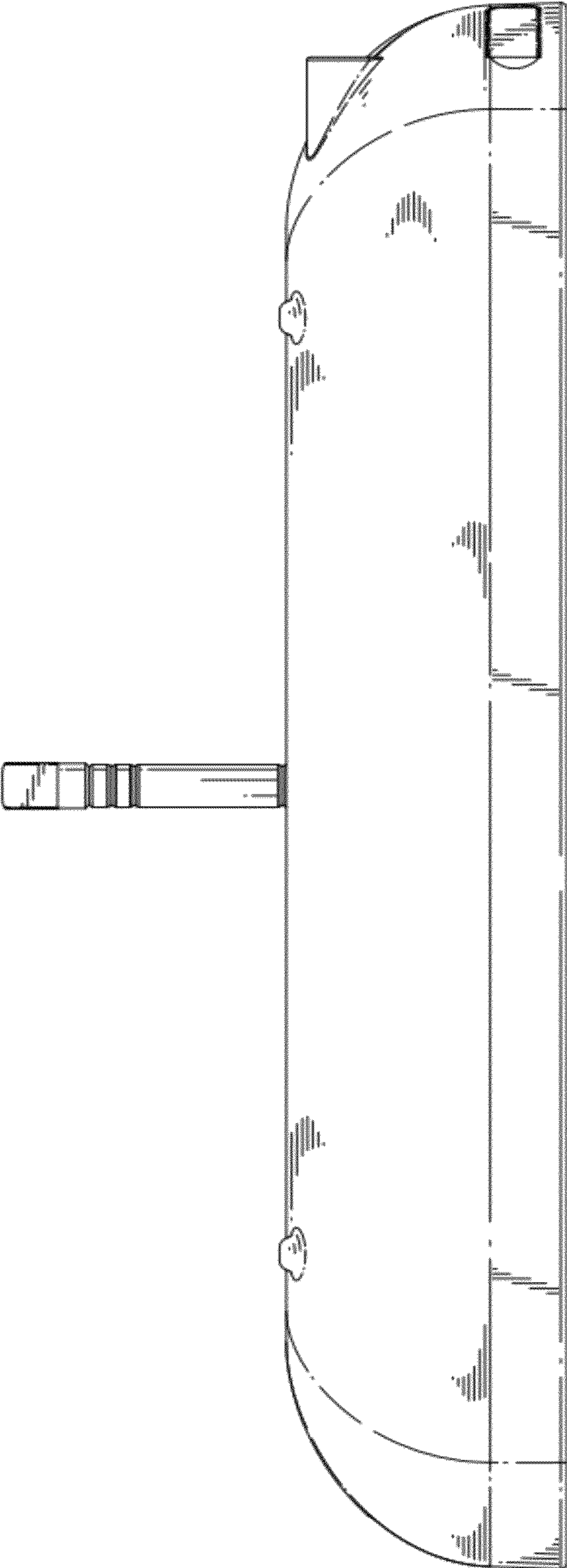


FIG. 5

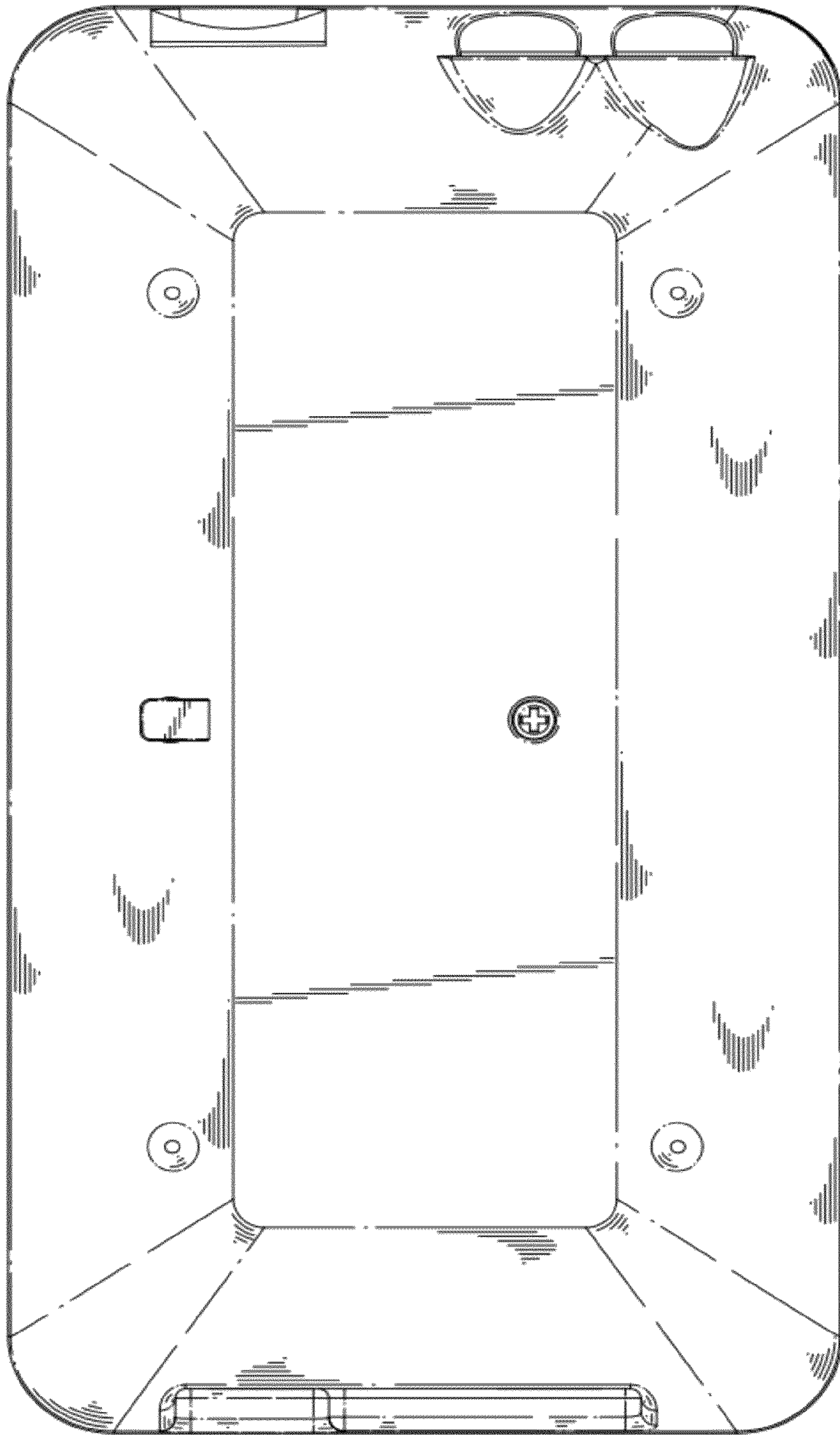


FIG. 6

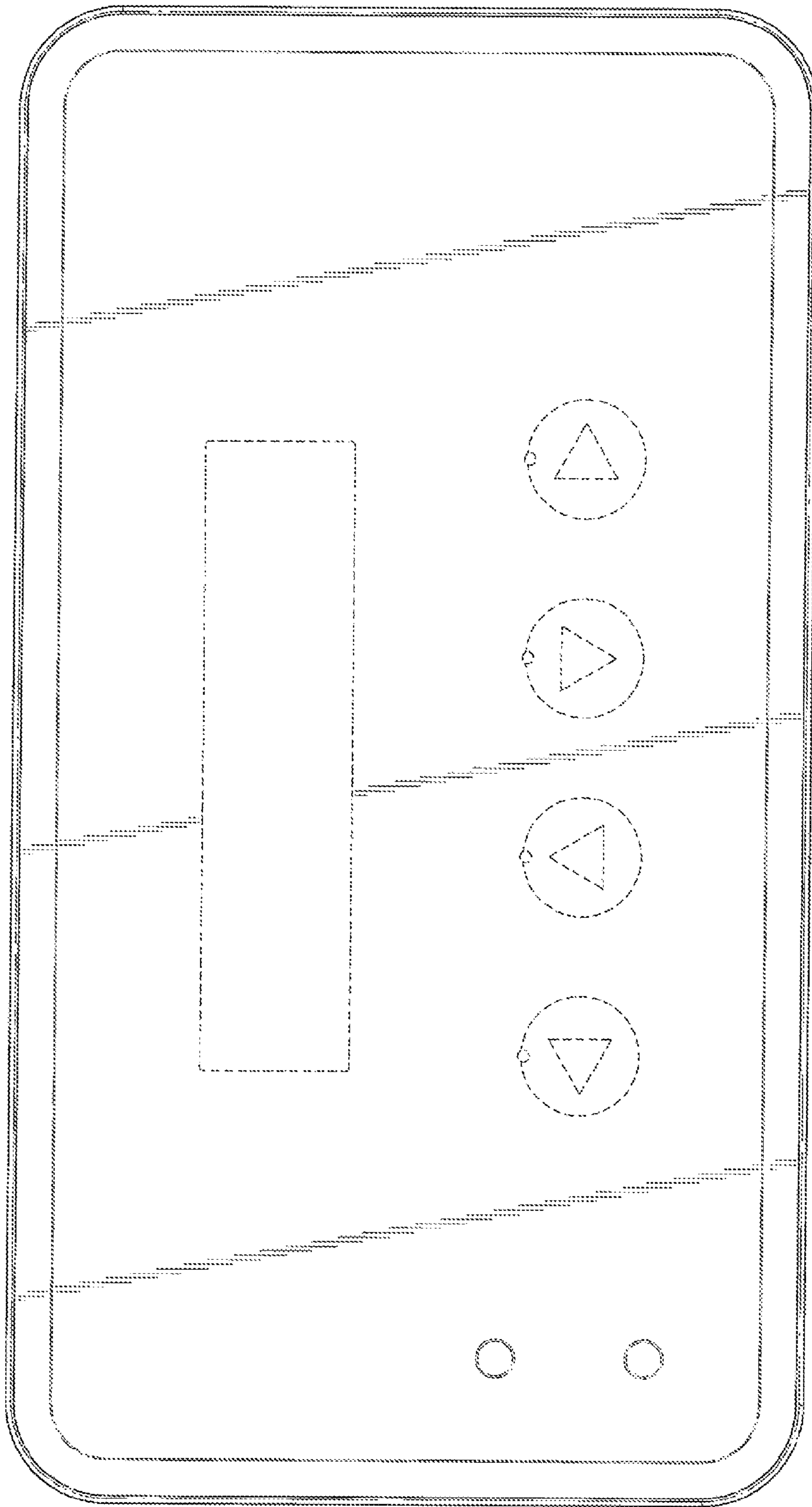


FIG. 7