



US00D665346S

(12) **United States Design Patent**  
**Kumagai et al.**

(10) **Patent No.:** **US D665,346 S**

(45) **Date of Patent:** **\*\* Aug. 14, 2012**

(54) **BATTERY CHARGER**

(75) Inventors: **Yoshiaki Kumagai**, Tokyo (JP);  
**Hidefumi Goto**, Tokyo (JP)

(73) Assignee: **Sony Corporation**, Tokyo (JP)

(\*\*) Term: **14 Years**

(21) Appl. No.: **29/371,836**

(22) Filed: **Oct. 20, 2011**

(30) **Foreign Application Priority Data**

Apr. 21, 2011 (JP) ..... D2011-009210

(51) **LOC (9) Cl.** ..... **13-02**

(52) **U.S. Cl.** ..... **D13/108**

(58) **Field of Classification Search** ..... D13/107-110,  
D13/118-119, 184; D14/251, 253, 432,  
D14/434; 320/107-115

See application file for complete search history.

(56) **References Cited**

**U.S. PATENT DOCUMENTS**

D308,267 S *	5/1990	Bradd	.....	D32/31
D358,126 S	5/1995	Sakuma et al.		
D363,055 S	10/1995	Kobayashi et al.		
D393,829 S	4/1998	Shimizu		
D406,561 S	3/1999	Goto		
D532,372 S *	11/2006	Keating	.....	D13/108

D532,745 S *	11/2006	Gaber et al.	.....	D13/108
D539,218 S *	3/2007	Gaber et al.	.....	D13/108
D572,656 S *	7/2008	Schein	.....	D13/108
D575,226 S *	8/2008	Bart	.....	D13/110
D596,560 S *	7/2009	Cutchins et al.	.....	D13/108
D598,374 S	8/2009	Sasada		
D607,815 S *	1/2010	Lui	.....	D13/107
D645,816 S *	9/2011	Sasada et al.	.....	D13/108
D645,817 S	9/2011	Sasada et al.		
D653,613 S *	2/2012	Sasada et al.	.....	D13/108

\* cited by examiner

*Primary Examiner* — Rosemary K Tarcza

(74) *Attorney, Agent, or Firm* — Rader, Fishman & Grauer PLLC

(57) **CLAIM**

The ornamental design for a battery charger, as shown and described.

**DESCRIPTION**

FIG. 1 is a perspective view of a battery charger showing our new design;

FIG. 2 is a front elevational view thereof;

FIG. 3 is a rear elevational view thereof;

FIG. 4 is a left side elevational view thereof;

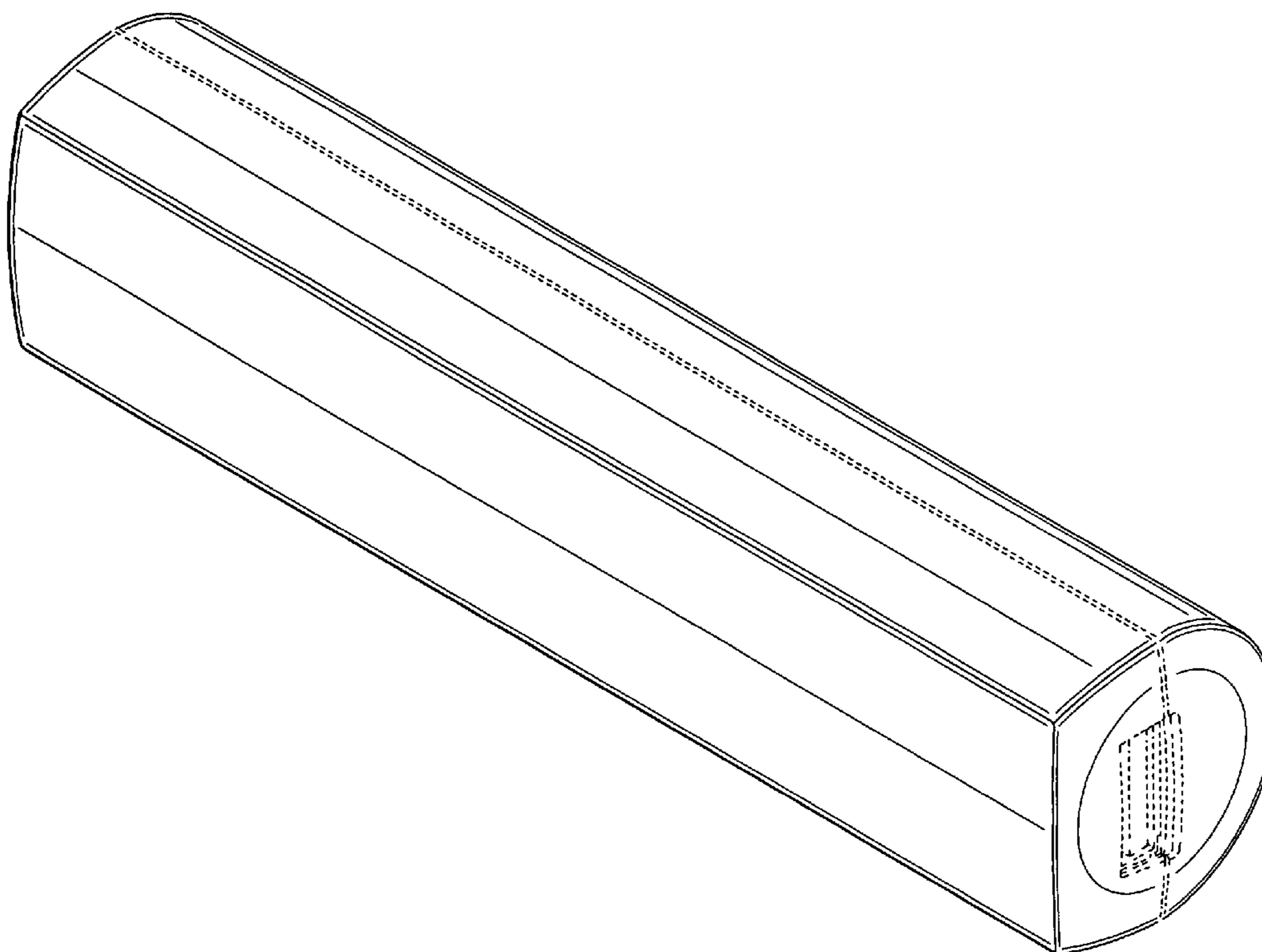
FIG. 5 is a right side elevational view thereof;

FIG. 6 is a top plan view thereof; and,

FIG. 7 is a bottom plan view thereof.

Portions shown as broken lines are for illustrative purposes only and form no part of the claimed design.

**1 Claim, 4 Drawing Sheets**



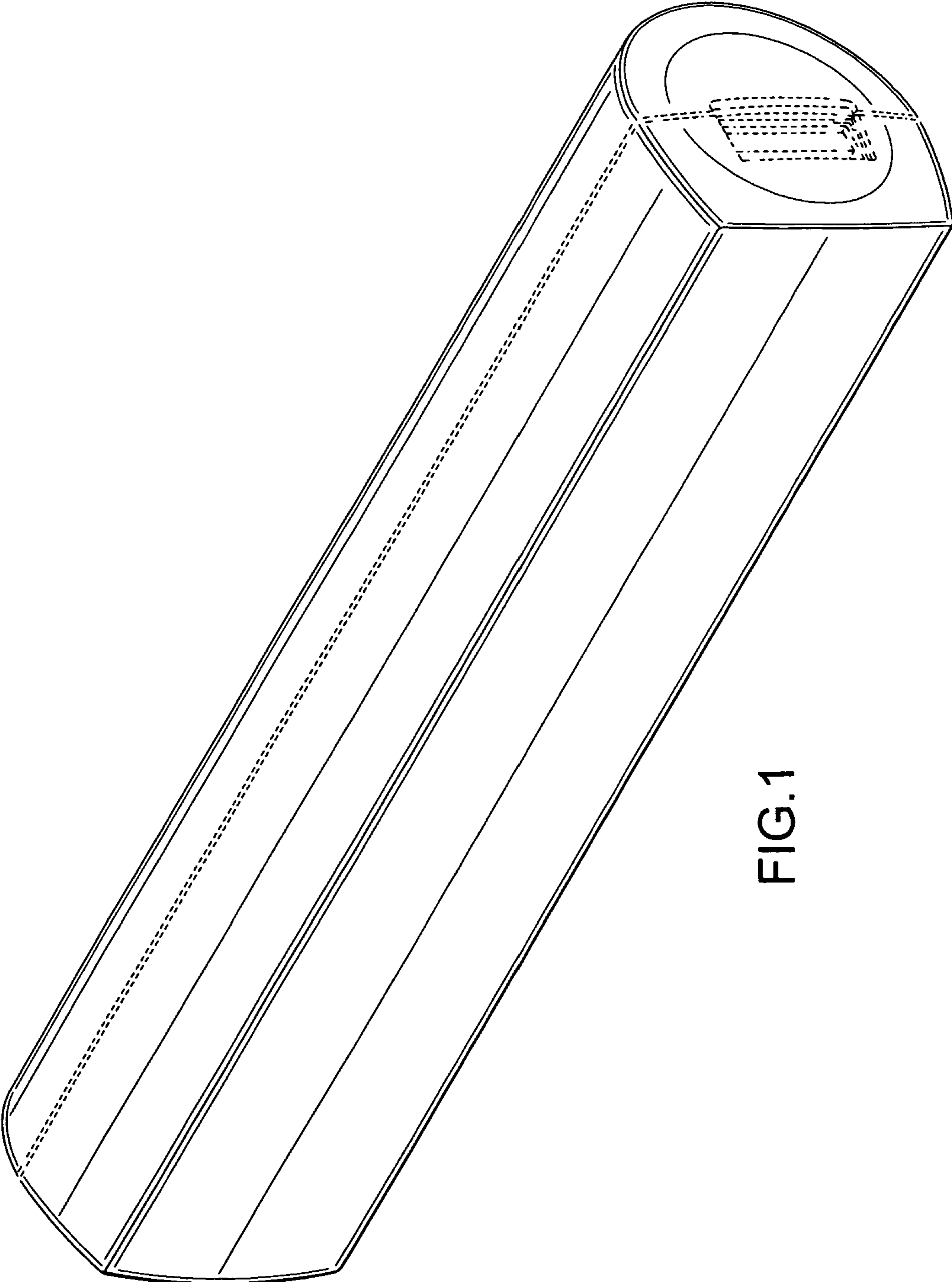


FIG. 1

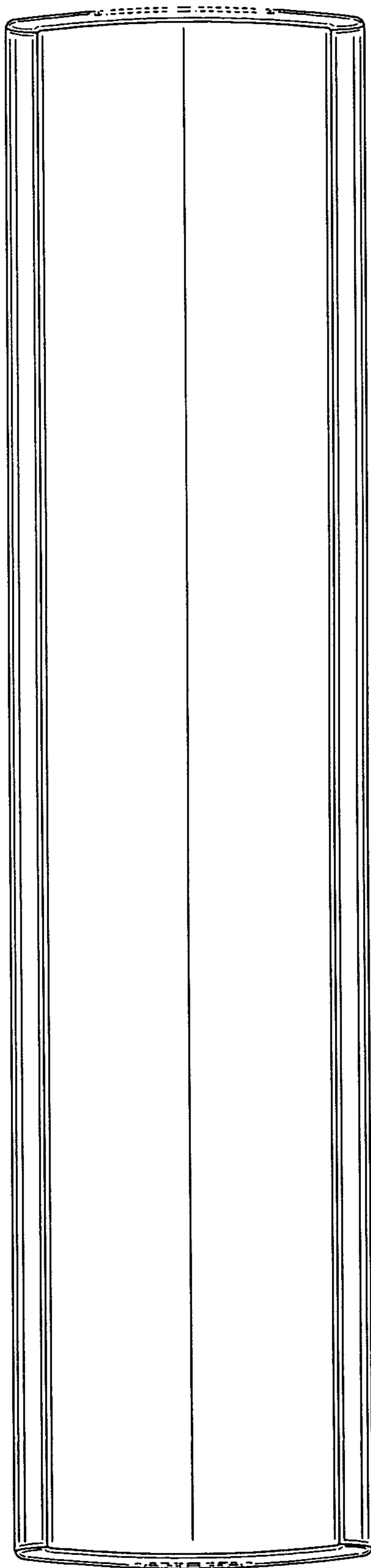


FIG. 2

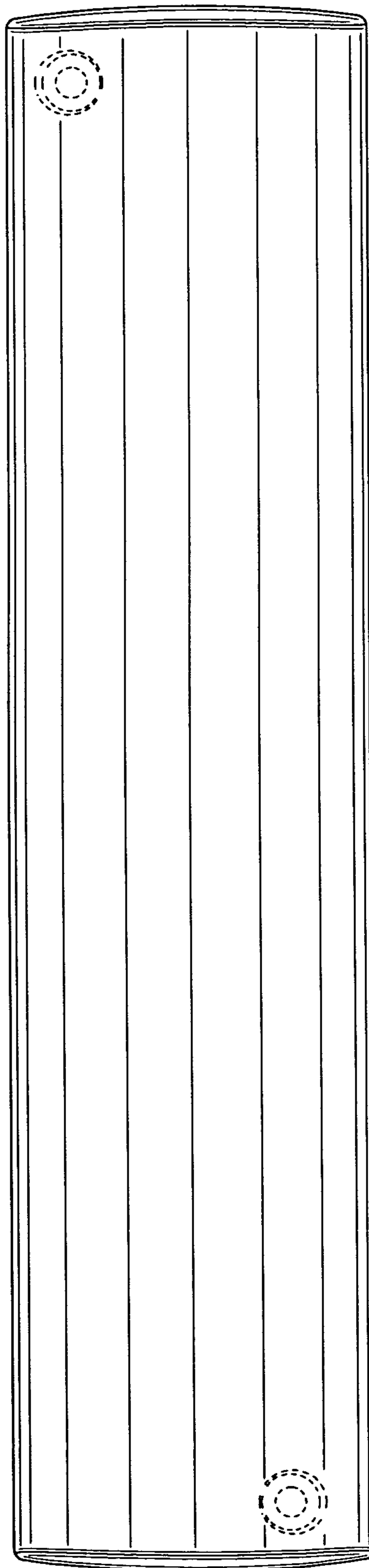


FIG. 3

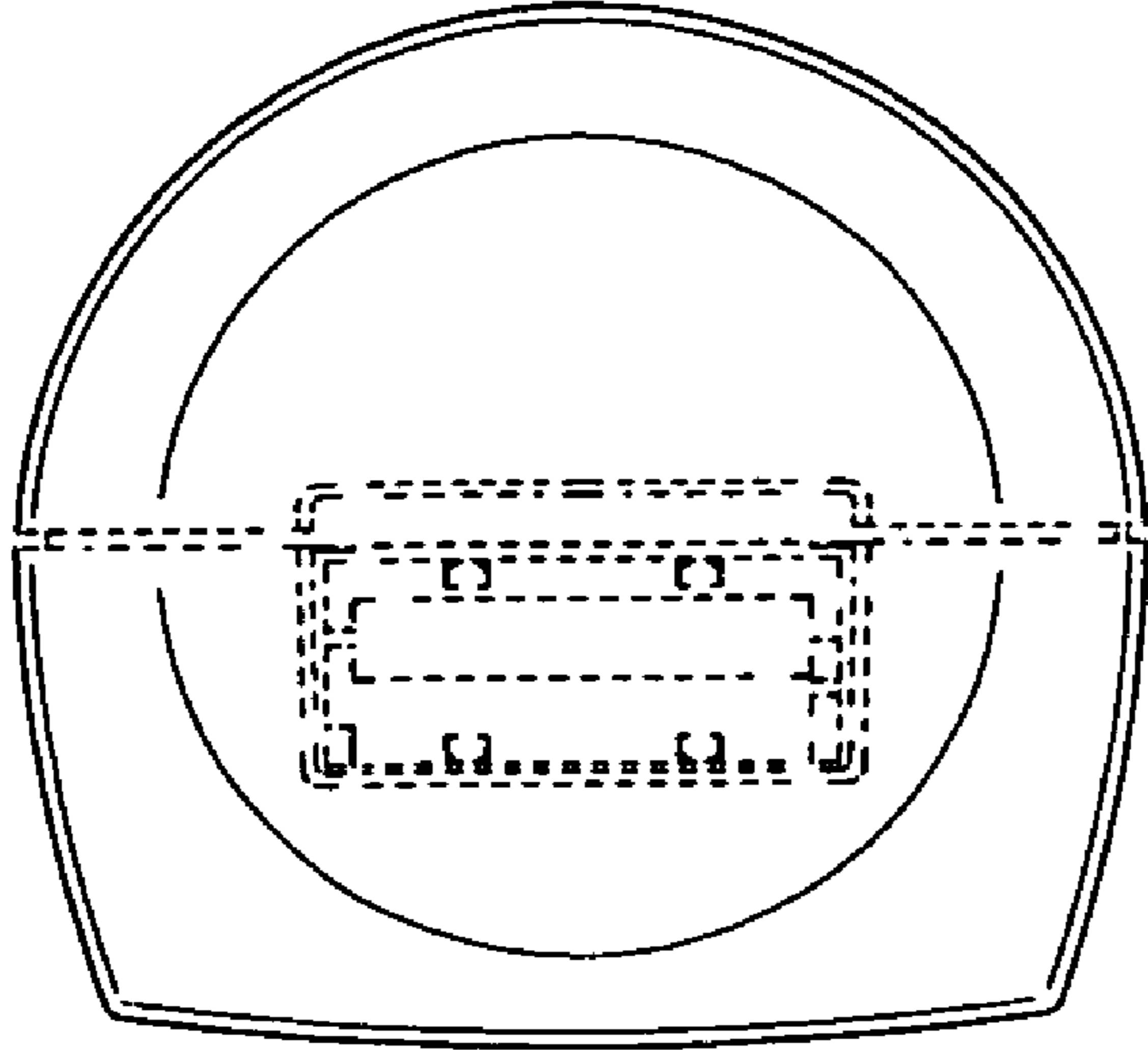


FIG.5

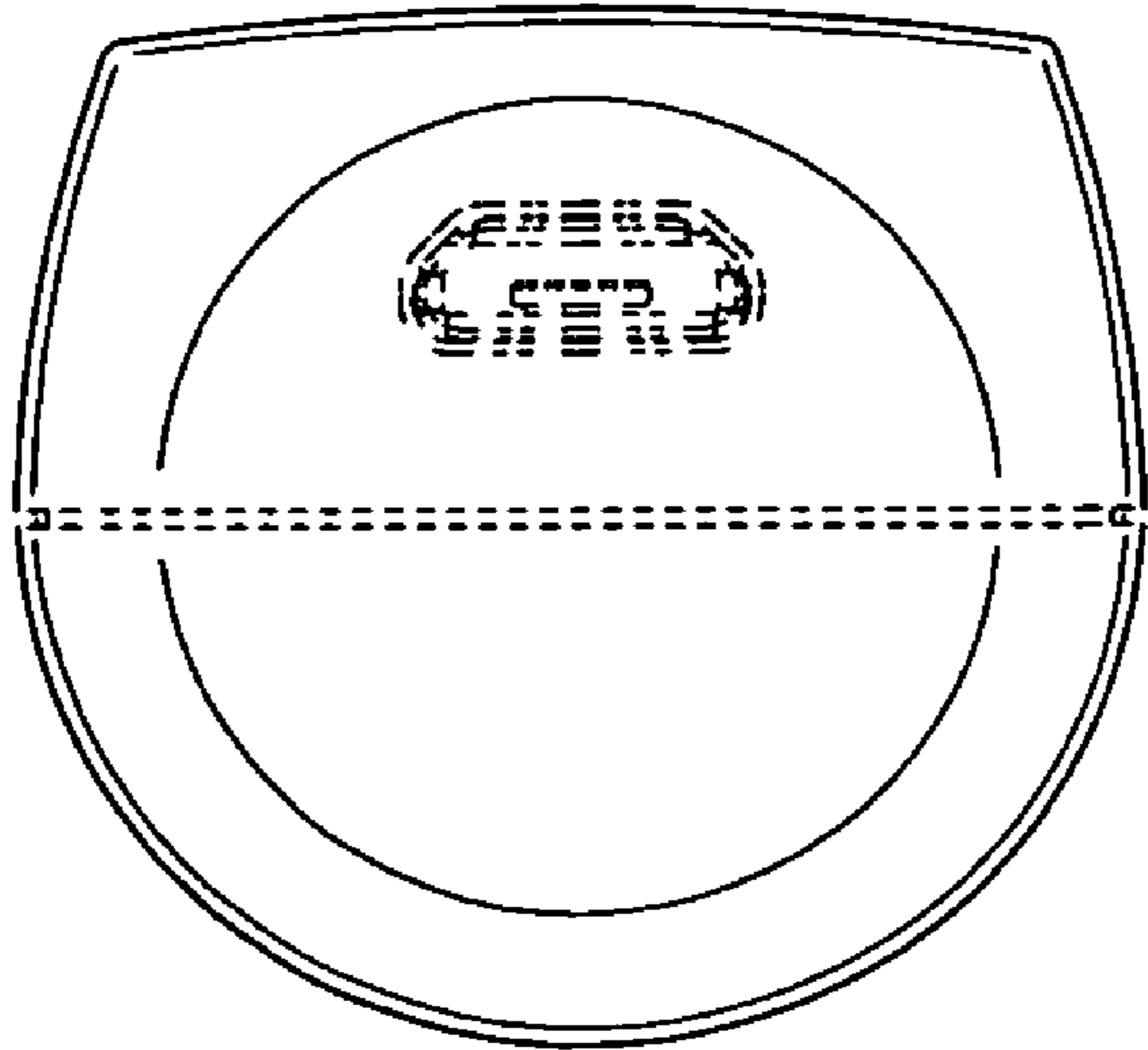


FIG.4

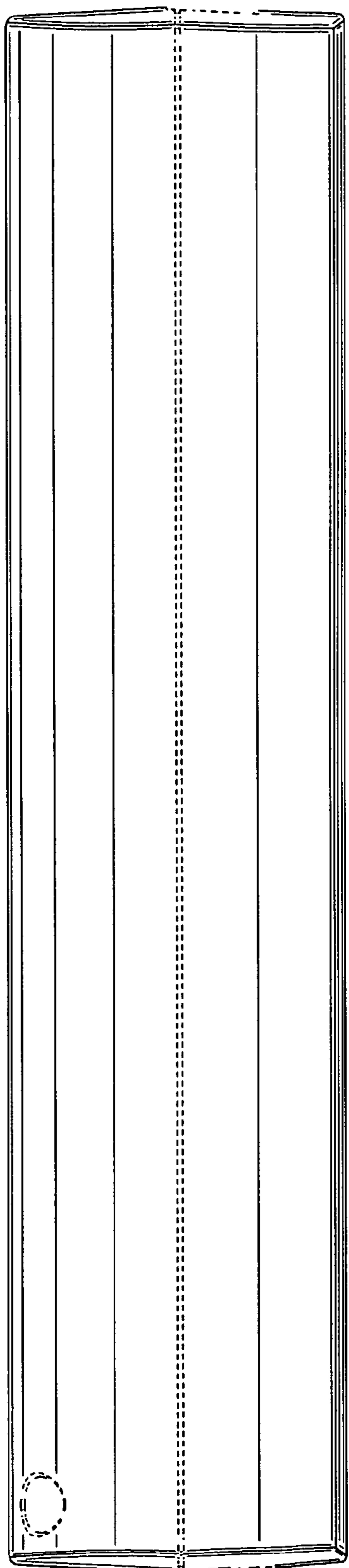


FIG. 6

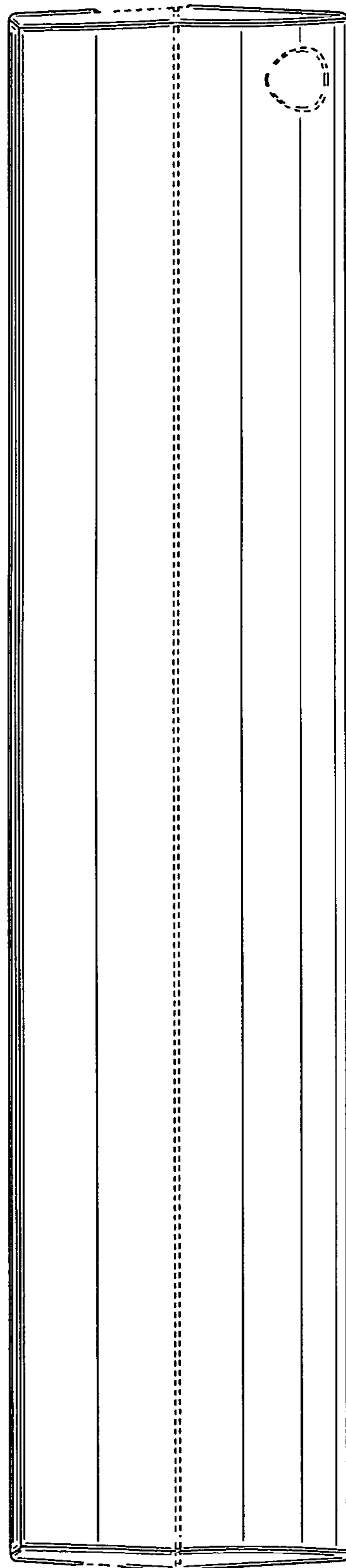


FIG. 7