

US00D665343S

(12) **United States Design Patent**
Qualls, Jr. et al.

(10) **Patent No.:** **US D665,343 S**
(45) **Date of Patent:** **** Aug. 14, 2012**

(54) **BATTERY CONTAINER**

(75) Inventors: **E. Lee Qualls, Jr.**, Atlanta, GA (US);
John Francis Bear, Gainesville, GA
(US); **Rachel Lyn Clay**, Alpharetta, GA
(US); **Dominic Daunter**, Howell, MI
(US); **Daniel S. Genord**, South Lyon,
MI (US); **Allan D. Hillyer**, Oswego, IL
(US); **Thomas Bruce Montgomery**,
Bainbridge, PA (US); **Carl Edwin**
Sickles, Chesterfield Township, MI (US);
David Paul Thimm, Plymouth, MI
(US); **Brian Allan Westbrook**, Marietta,
GA (US)

(73) Assignee: **Exide Technologies**, Milton, GA (US)

(**) Term: **14 Years**

(21) Appl. No.: **29/405,132**

(22) Filed: **Oct. 28, 2011**

(51) **LOC (9) Cl.** **13-02**

(52) **U.S. Cl.** **D13/106**

(58) **Field of Classification Search** D13/102–106,
D13/110, 118–119, 184; 429/96–100, 149,
429/163, 176, 187

See application file for complete search history.

D303,519 S 9/1989 Lopez-Doriga Lopez-Doriga
et al.

D310,821 S 9/1990 Hulsebus et al.

5,187,031 A 2/1993 Heiman et al.

5,484,667 A 1/1996 Sahli et al.

5,512,065 A 4/1996 Kump et al.

D383,434 S 9/1997 Hooke et al.

D400,849 S 11/1998 Ikeda et al.

D401,551 S 11/1998 Kim

5,895,728 A 4/1999 Walker et al.

6,007,937 A 12/1999 Rodriguez et al.

6,153,331 A * 11/2000 Brantley et al. 429/187

6,300,005 B1 10/2001 Kump

D458,900 S 6/2002 Carter et al.

D462,656 S 9/2002 Degen et al.

D491,138 S 6/2004 Minato

D494,940 S * 8/2004 Fiocchi D13/184

D527,344 S * 8/2006 Rajpara et al. D13/119

D543,938 S 6/2007 Kawakita et al.

D584,684 S 1/2009 Aglassinger

D600,202 S 9/2009 Mack

D607,405 S 1/2010 Mack

D609,178 S 2/2010 Mack

D609,179 S 2/2010 Mack

D609,631 S 2/2010 Mack

(Continued)

Primary Examiner — Rosemary K Tarcza

(57) **CLAIM**
The ornamental design for a battery container, as shown and described.

DESCRIPTION

FIG. 1 is a top, front and left perspective view of a battery container, showing my new design;

FIG. 2 is a front elevation view thereof, with the back side being a mirror image thereof;

FIG. 3 is a top plan view thereof;

FIG. 4 is a bottom plan view thereof; and,

FIG. 5 is a left side view thereof, with the right side being a mirror image thereof.

The broken-line disclosure in the views is understood to represent portions of the article in which the claimed design is embodied, but which forms no part of the claimed design.

1 Claim, 5 Drawing Sheets

(56) **References Cited**

U.S. PATENT DOCUMENTS

D67,258 S * 5/1925 Bello D13/106

D70,400 S * 6/1926 Campbell D13/106

2,724,360 A 3/1953 Crookshank

2,692,906 A 10/1954 Morgan

D196,798 S 11/1963 Worrell

D242,048 S 10/1976 Frode

D266,757 S * 11/1982 Campbell et al. D13/106

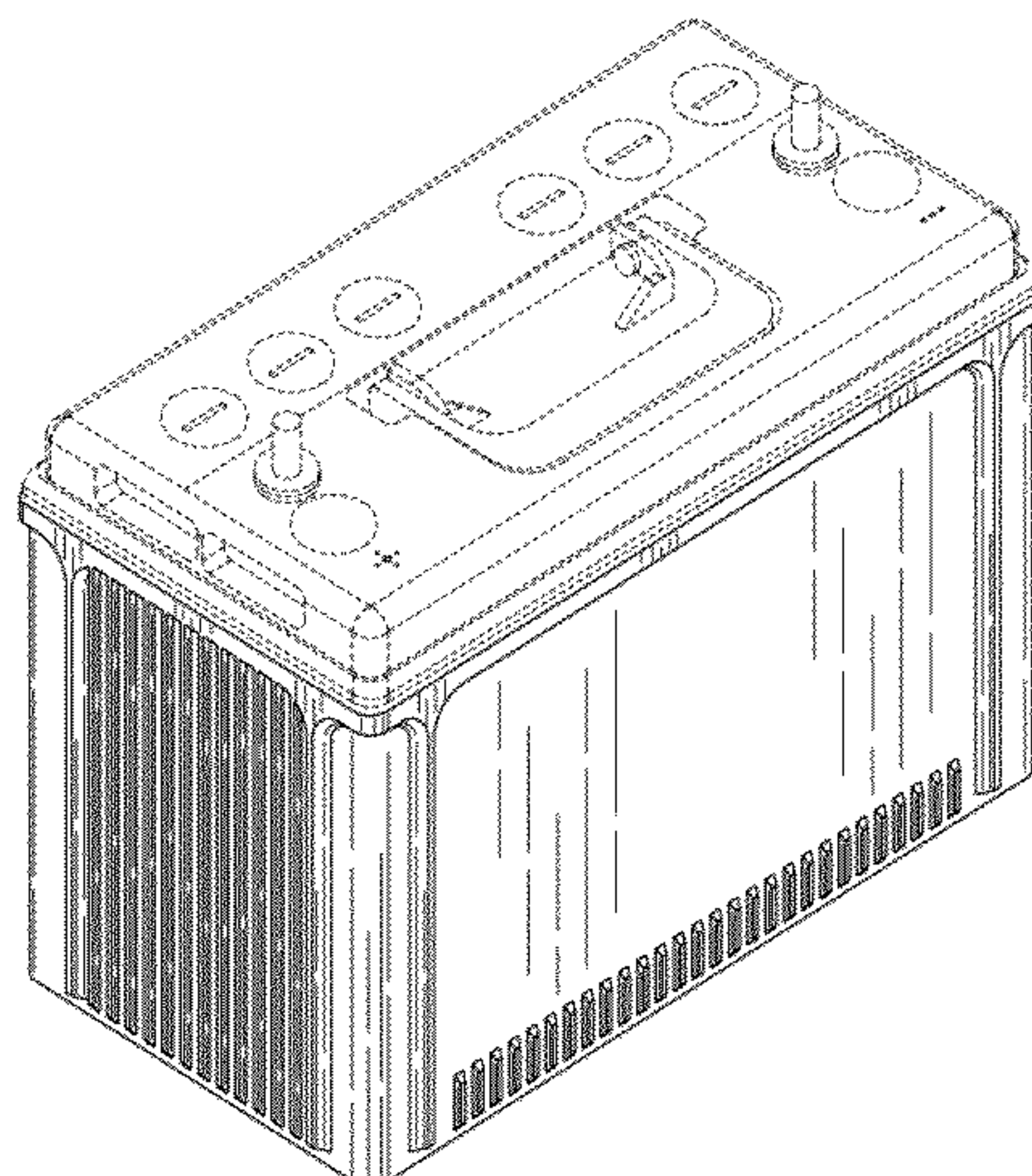
4,632,888 A * 12/1986 Kump et al. 429/187

4,634,642 A 1/1987 Lopez-Doriga Lopez-Doriga
et al.

4,693,949 A 9/1987 Kellett et al.

D292,576 S 11/1987 Kump et al.

D294,484 S 3/1988 Kellett et al.



US D665,343 S

Page 2

U.S. PATENT DOCUMENTS

D621,353 S	8/2010	Mack	D643,810 S	8/2011	Qualls et al.
D625,253 S	10/2010	Mack	D643,811 S	8/2011	Qualls et al.
D625,254 S	10/2010	Mack	D647,051 S	10/2011	Qualls et al.
D633,862 S	3/2011	Qualls et al.	D647,052 S	10/2011	Qualls et al.
D633,863 S	3/2011	Qualls et al.	2003/0044679 A1	3/2003	Hirano et al.
D633,864 S	3/2011	Qualls et al.	2004/0170888 A1	9/2004	Cummins et al.
D633,865 S	3/2011	Qualls et al.	2009/0092890 A1	4/2009	Wu
D633,866 S	3/2011	Qualls et al.	2009/0130549 A1	5/2009	Kelley et al.
D635,509 S	4/2011	Mack et al.			

* cited by examiner

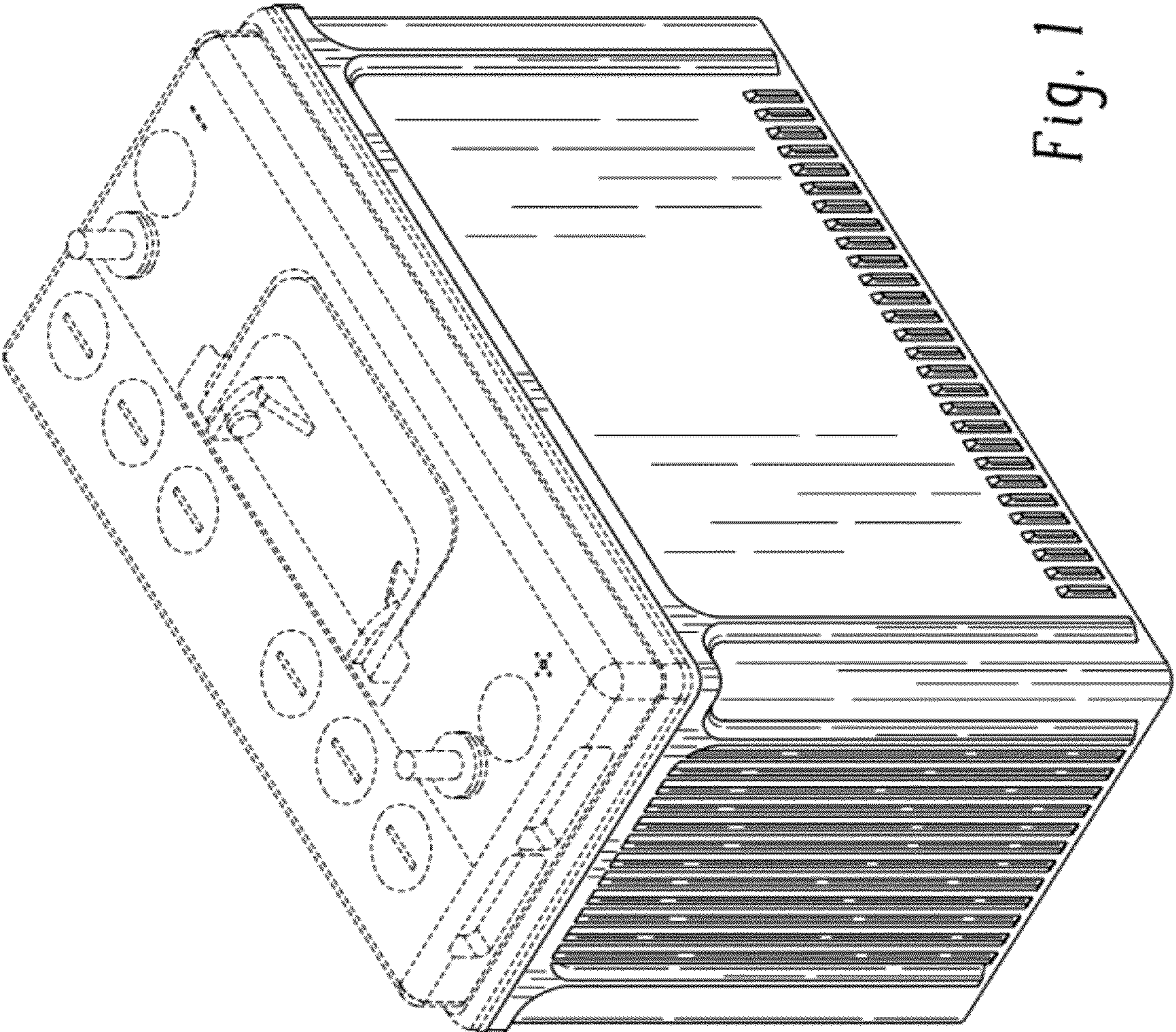


Fig. 1

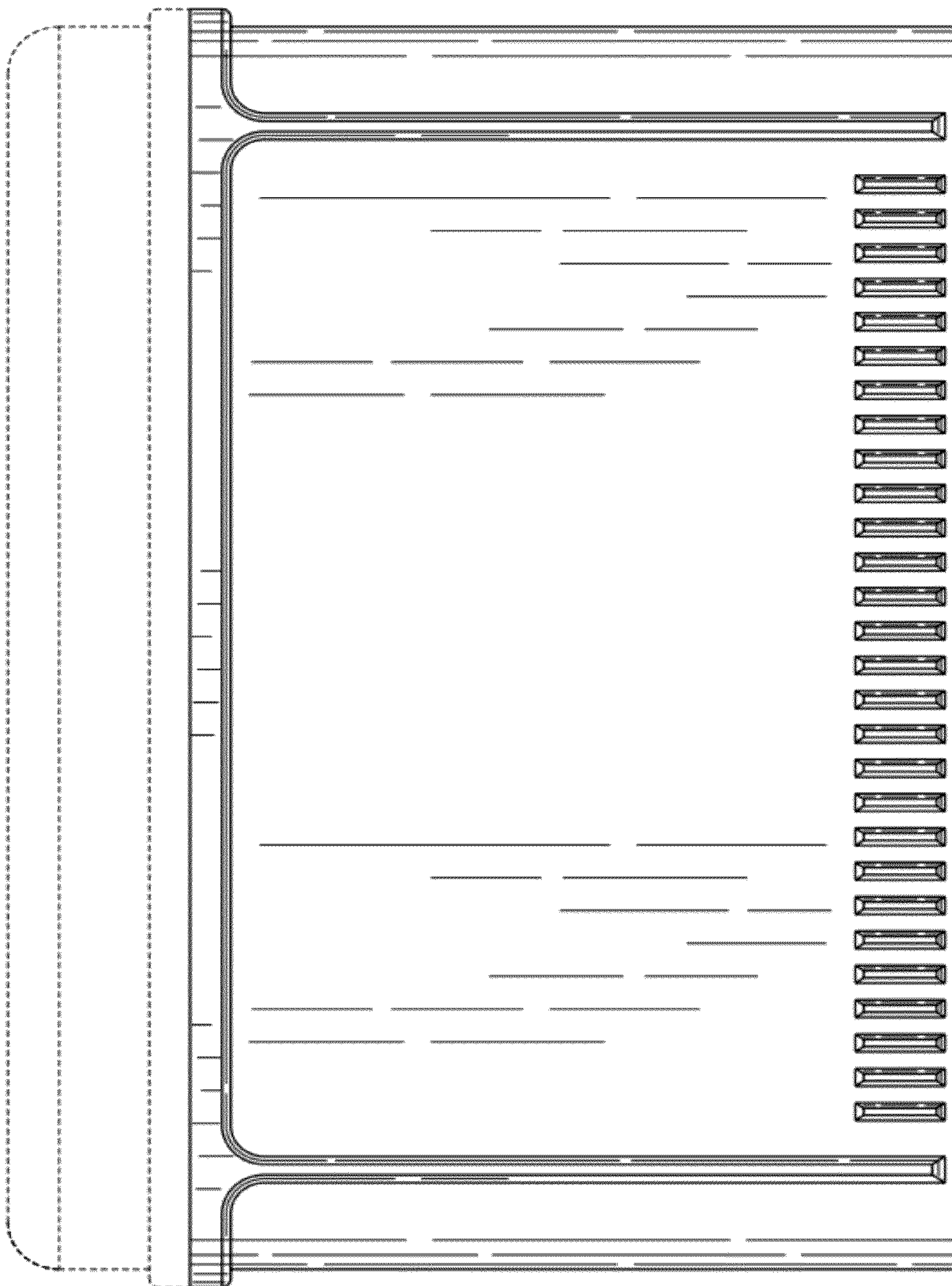


Fig. 2

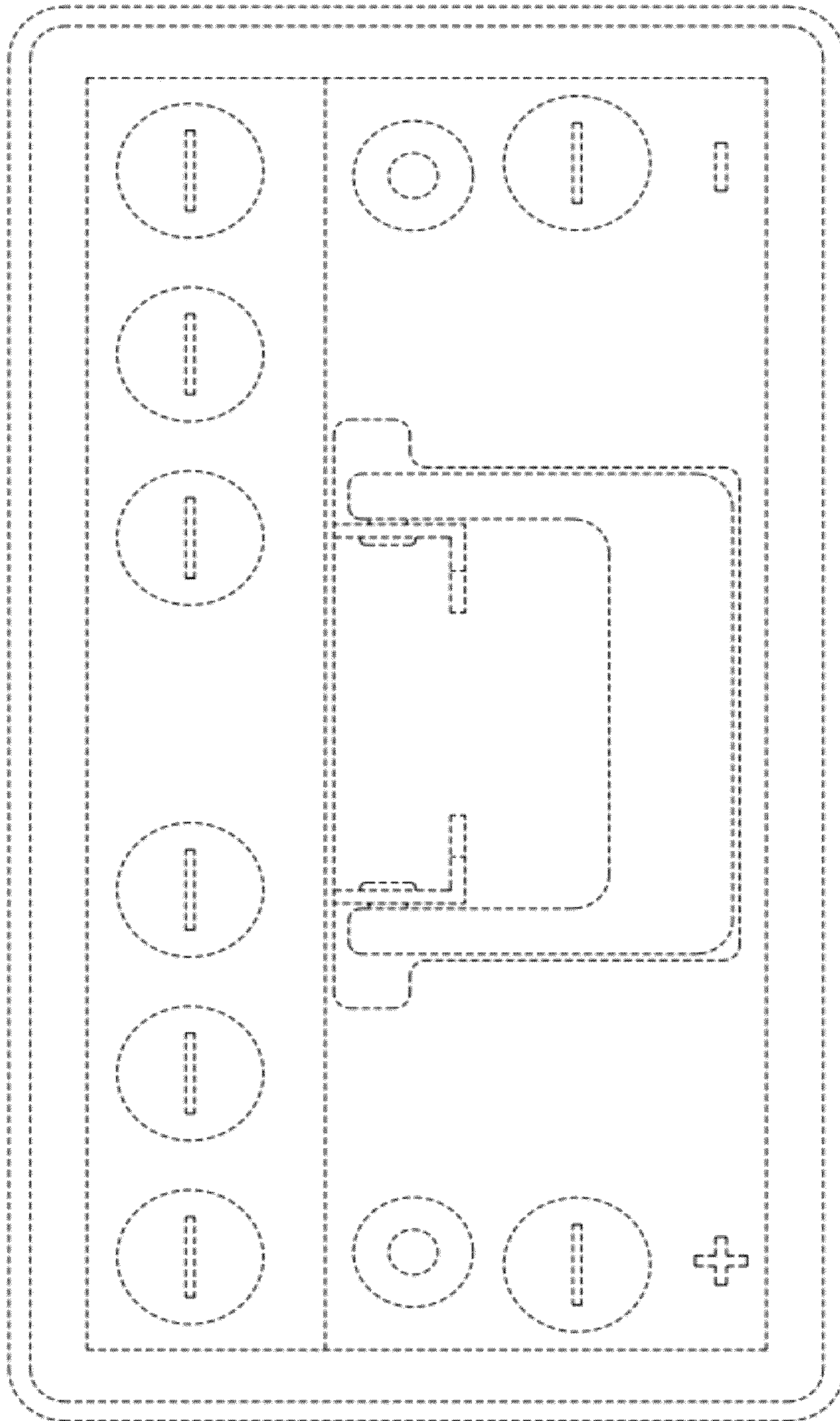


Fig. 3

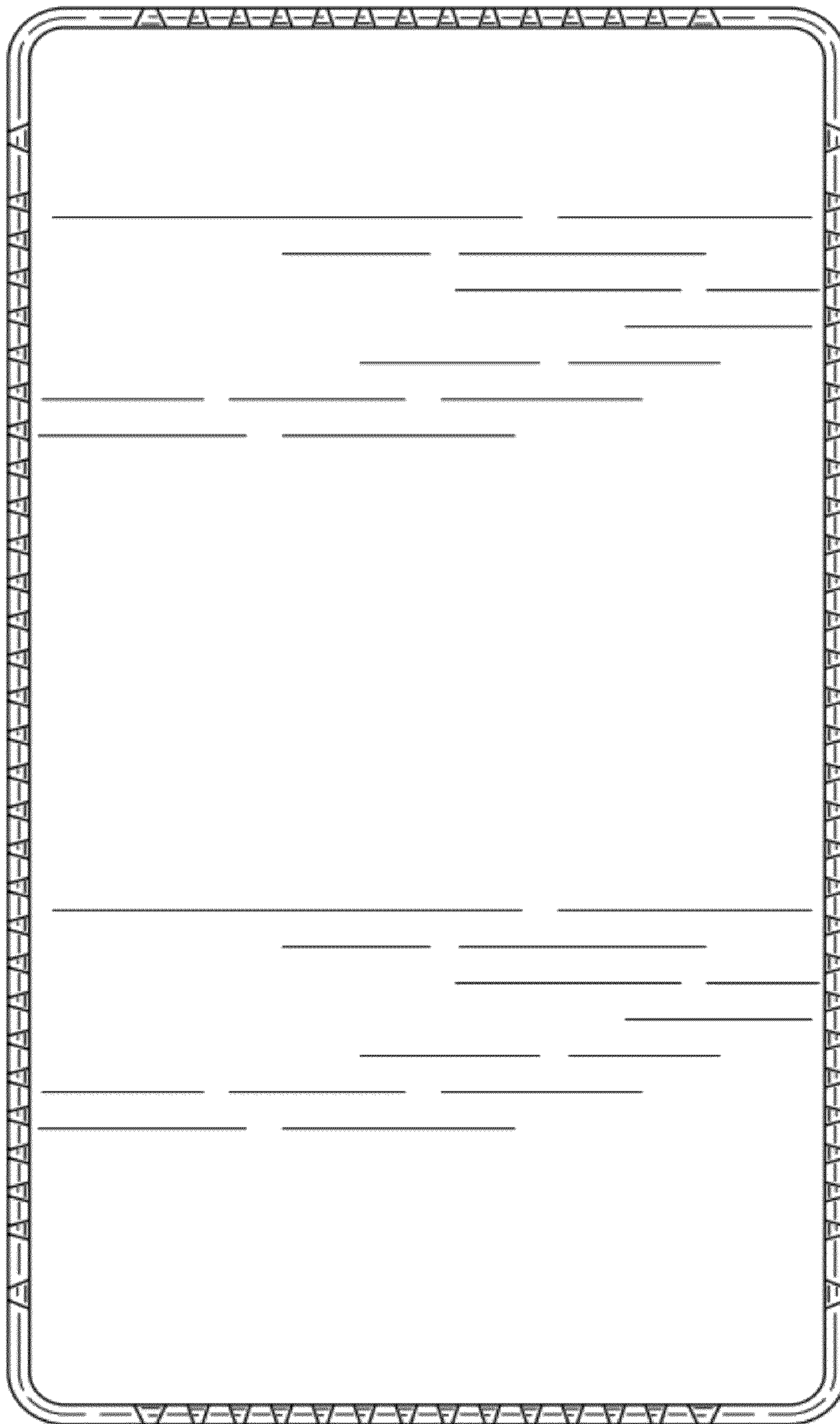


Fig. 4

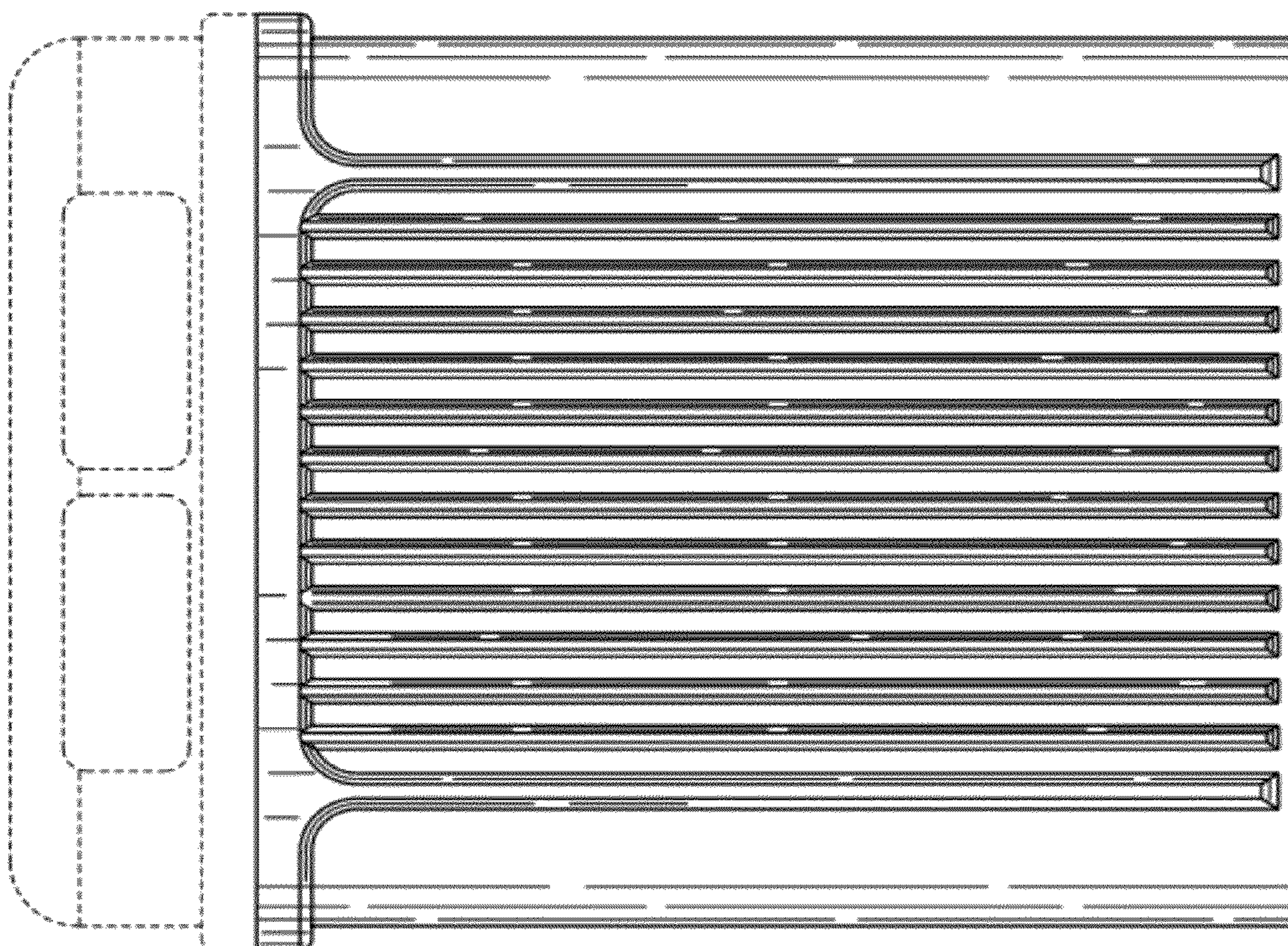


Fig. 5